



US00D946230S

(12) **United States Design Patent**
Xu et al.

(10) **Patent No.:** **US D946,230 S**
(45) **Date of Patent:** **** Mar. 15, 2022**

- (54) **CART**
- (71) Applicant: **IWORKHUB LIMITED**, Hong Kong (CN)
- (72) Inventors: **Hao Xu**, Kowloon (CN); **Jia Zhou**, Kowloon (CN)
- (73) Assignee: **IWORKHUB LIMITED**, Kowloon (HK)

D553,874	S	*	10/2007	Orlando	D6/657
D560,870	S	*	1/2008	Shipman	D34/17
D592,888	S	*	5/2009	Johnson	D6/681.1
D707,065	S	*	6/2014	Fisher	D6/678.4
D896,192	S	*	9/2020	Ren	D13/184
D913,999	S	*	3/2021	Pei	D14/239
D914,654	S	*	3/2021	Pei	D14/239
D927,116	S	*	8/2021	Demartini	D34/12
D933,328	S	*	10/2021	Johnson	D34/12
2011/0180501	A1	*	7/2011	Lin	A47B 81/00 211/85.8

(**) Term: **15 Years**

(21) Appl. No.: **29/741,863**

(22) Filed: **Jul. 20, 2020**

(30) **Foreign Application Priority Data**

Jun. 4, 2020 (CN) 202030275408.6

(51) **LOC (13) Cl.** **12-02**

(52) **U.S. Cl.**
USPC **D34/12; D14/239**

(58) **Field of Classification Search**
USPC D14/239; D6/657, 712, 681.1, 678.4;
D34/12, 14, 17, 23, 27
CPC B62B 3/00; B62B 3/002; B62B 3/1444;
B62B 3/1416; B62B 2202/32; B62B
2202/006; B62B 3/14; B62B 2202/66;
A47B 81/00
See application file for complete search history.

(56) **References Cited**

U.S. PATENT DOCUMENTS

4,867,465	A	*	9/1989	Dunchock	B62B 3/108 280/79.3
D304,528	S	*	11/1989	Handler	D6/681.1
D494,777	S	*	8/2004	Walk	D6/678.4

OTHER PUBLICATIONS

IWorkhub.com Dec. 2, 2021, WH 3302 90 inch interactive display mobile cart simple, <https://www.iworkhub.com/products/wh3302-90-interactive-display-mobile-cart-simple.html> (Year: 2021).*

(Continued)

Primary Examiner — Cynthia Ramirez

(74) *Attorney, Agent, or Firm* — Fish IP Law, LLP

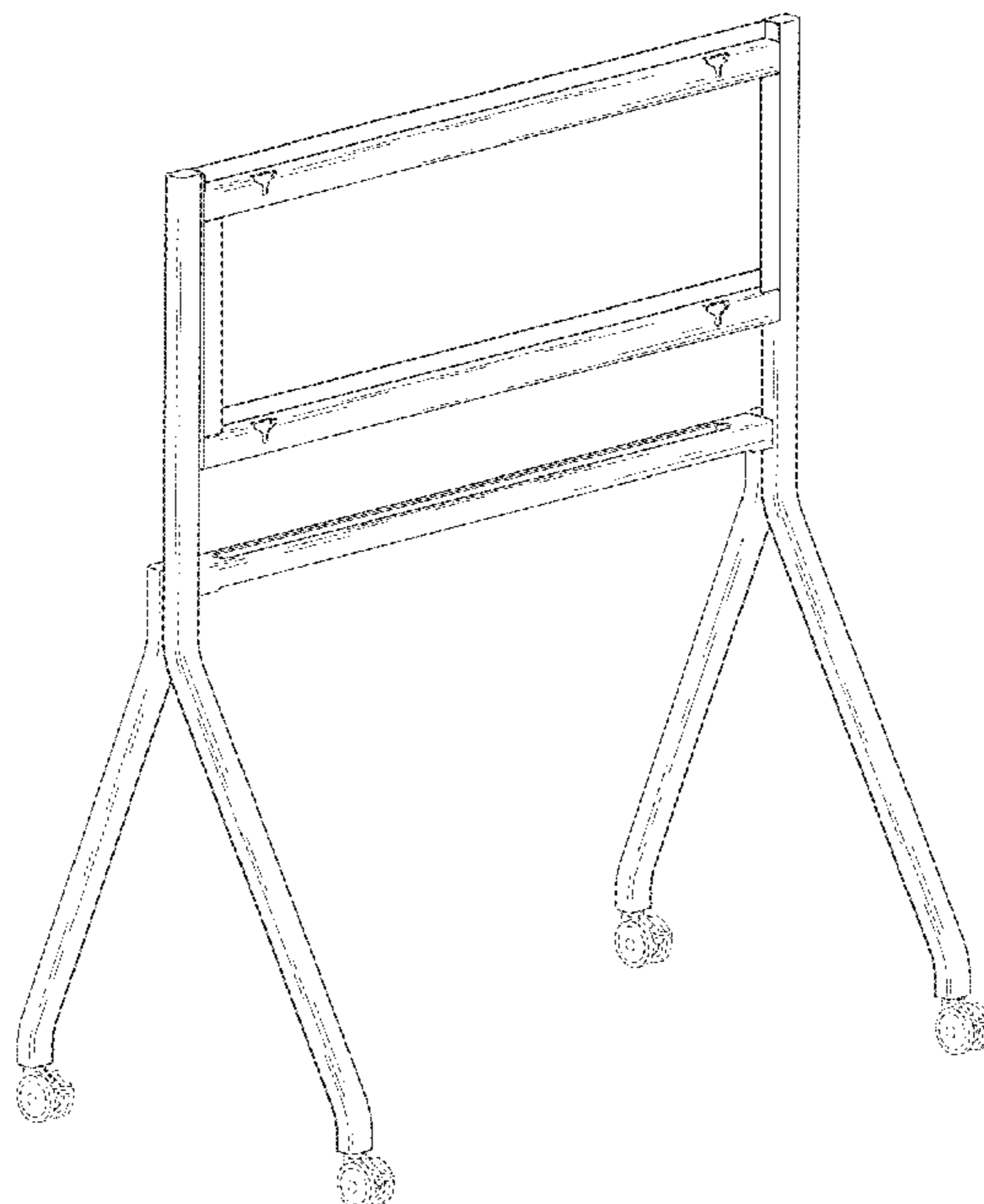
(57) **CLAIM**

The ornamental design for a cart, as shown and described.

DESCRIPTION

FIG. 1 is a front perspective view of a cart showing my new design.
FIG. 2 is a rear perspective view thereof.
FIG. 3 is a front view thereof.
FIG. 4 is a rear view thereof.
FIG. 5 is a left side view thereof.
FIG. 6 is a right side view thereof.
FIG. 7 is a top side view thereof; and,
FIG. 8 is a bottom side view thereof.
The broken lines in the figures illustrate portions of cart that form no part of the claimed design.

1 Claim, 7 Drawing Sheets



(56)

References Cited

OTHER PUBLICATIONS

IWorkhub.com Dec. 2, 2021, WH 3301-M 60 inch interactive display mobile cart simple, <https://www.iworkhub.com/products/wh3301-m-60-interactive-display-mobile-cart-simple.html> (Year: 2021).*

Videoconferencestore.com Dec. 2, 2021, Heckler video conferencing AV cart displays 75", <https://videoconferencestore.com/video-conferencing/furniture-and-mounts/heckler-video-conferencing-av-cart-for-displays> (Year: 2021).*

* cited by examiner

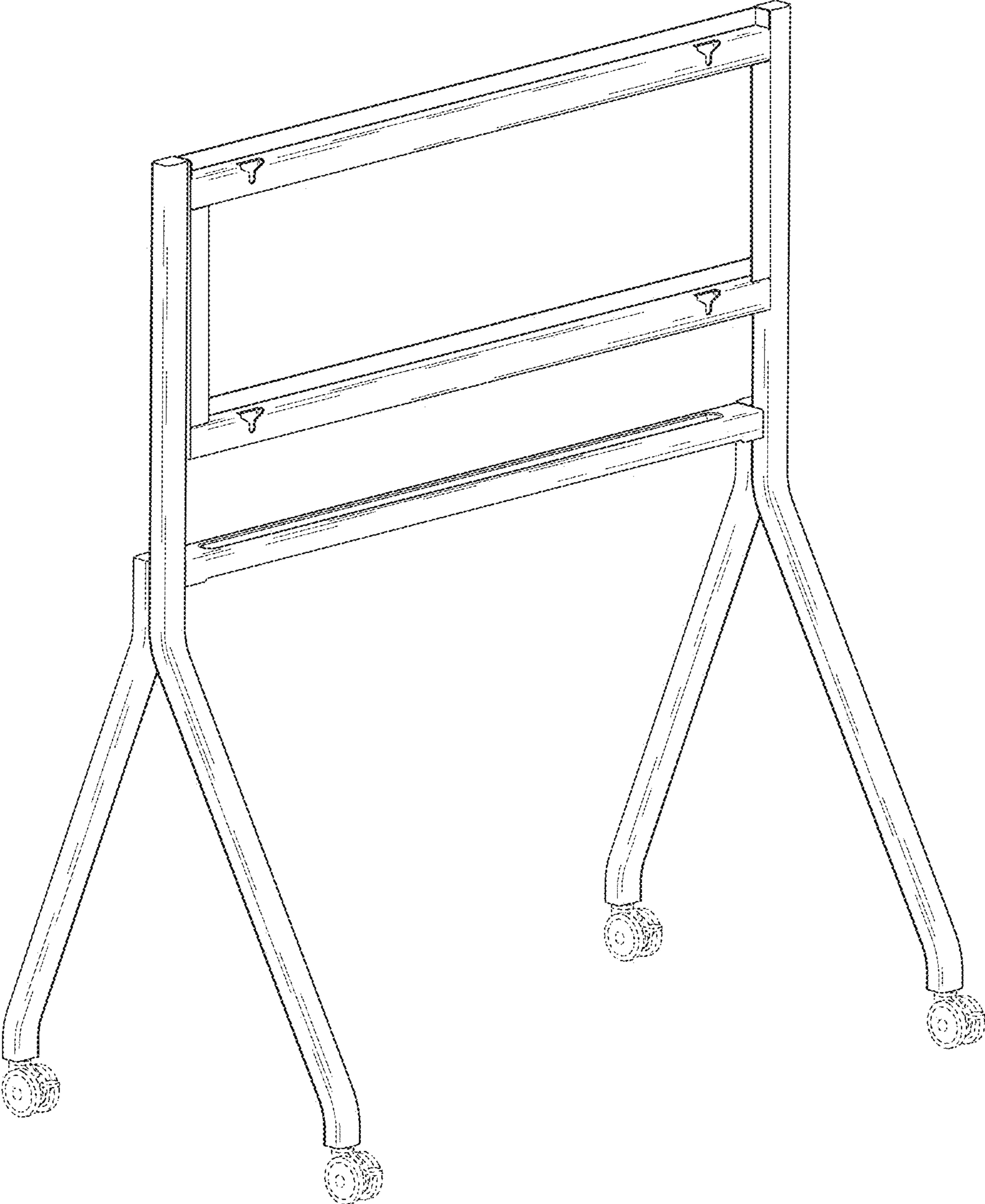


FIG. 1

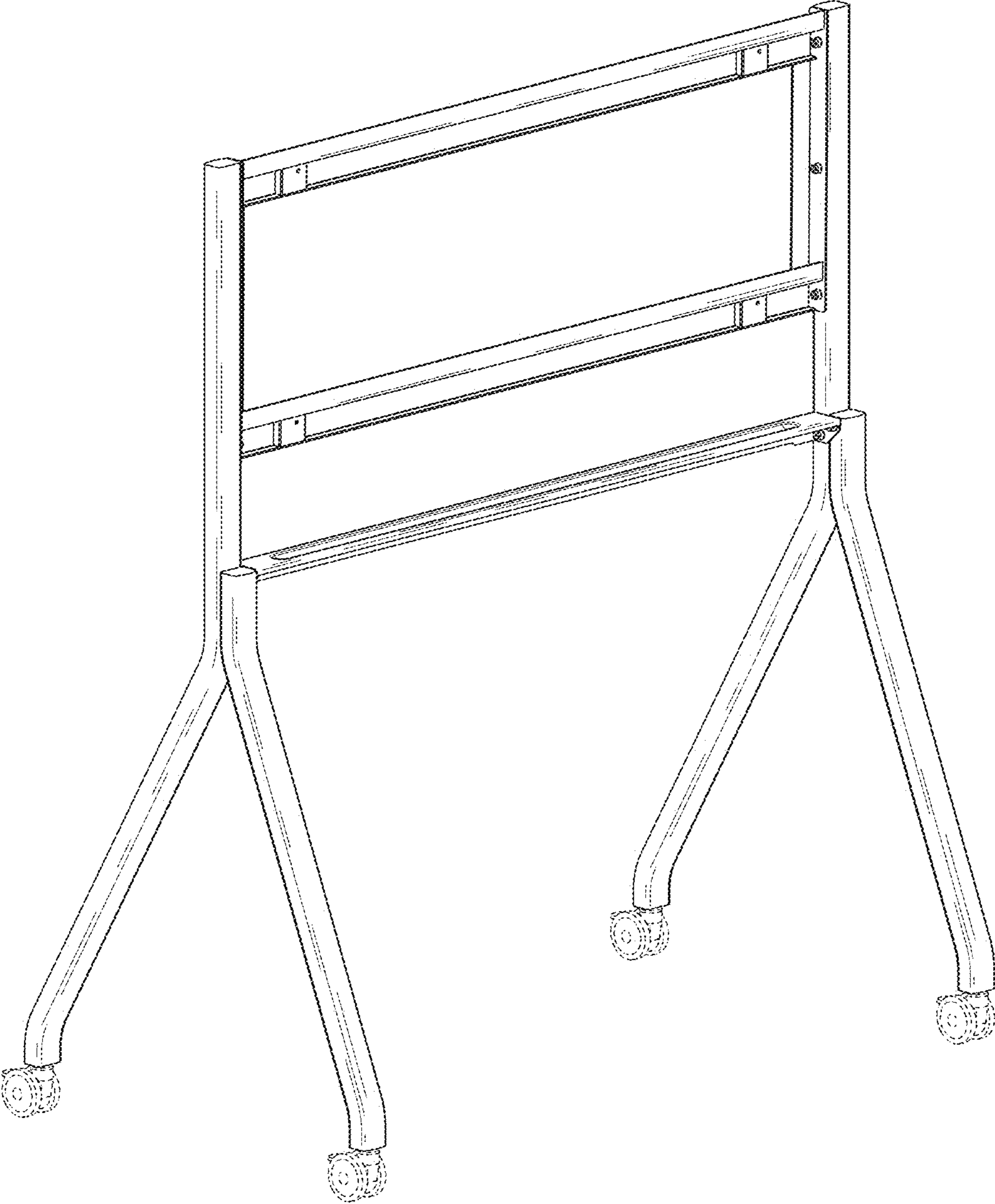


FIG. 2

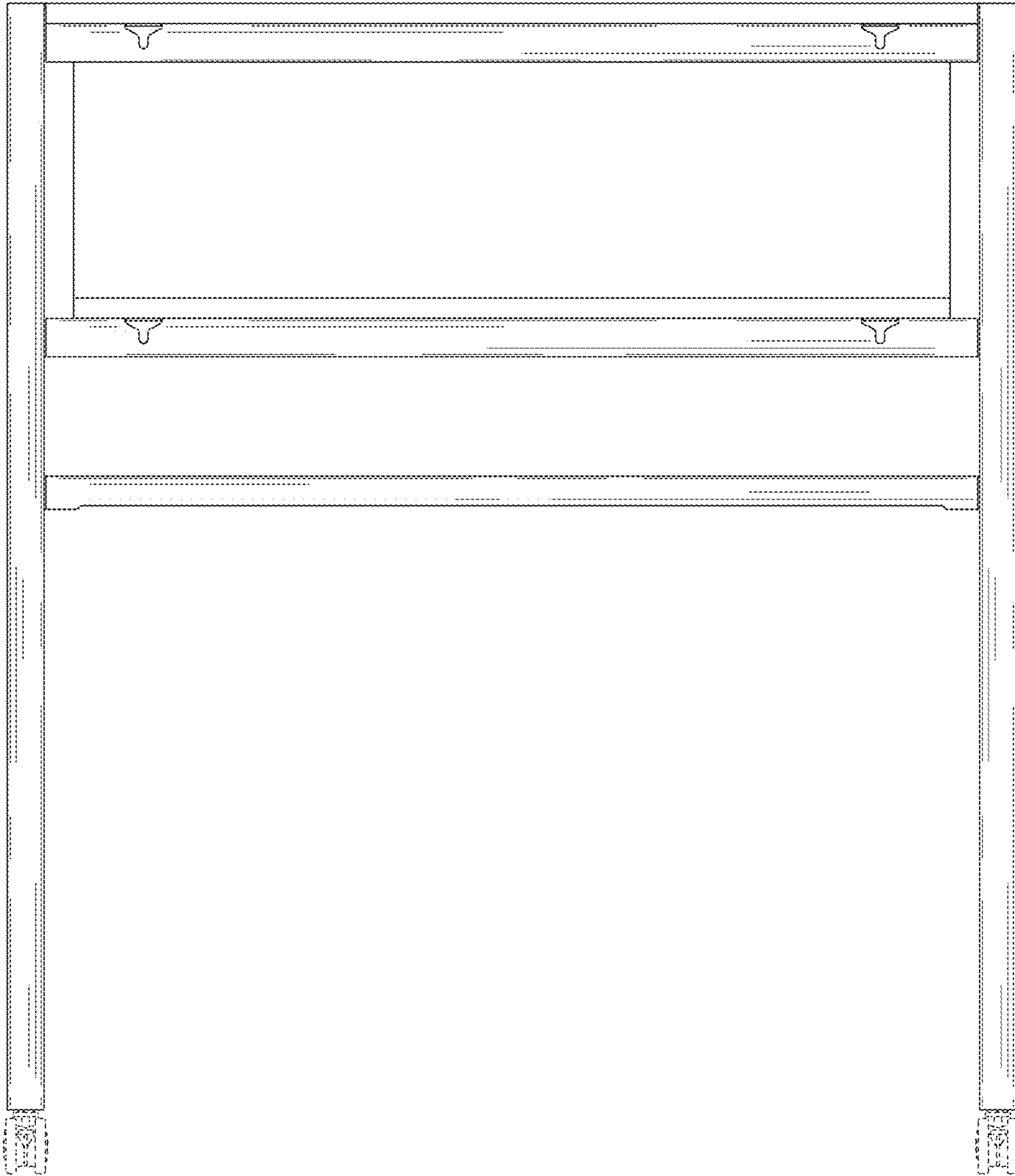


FIG. 3

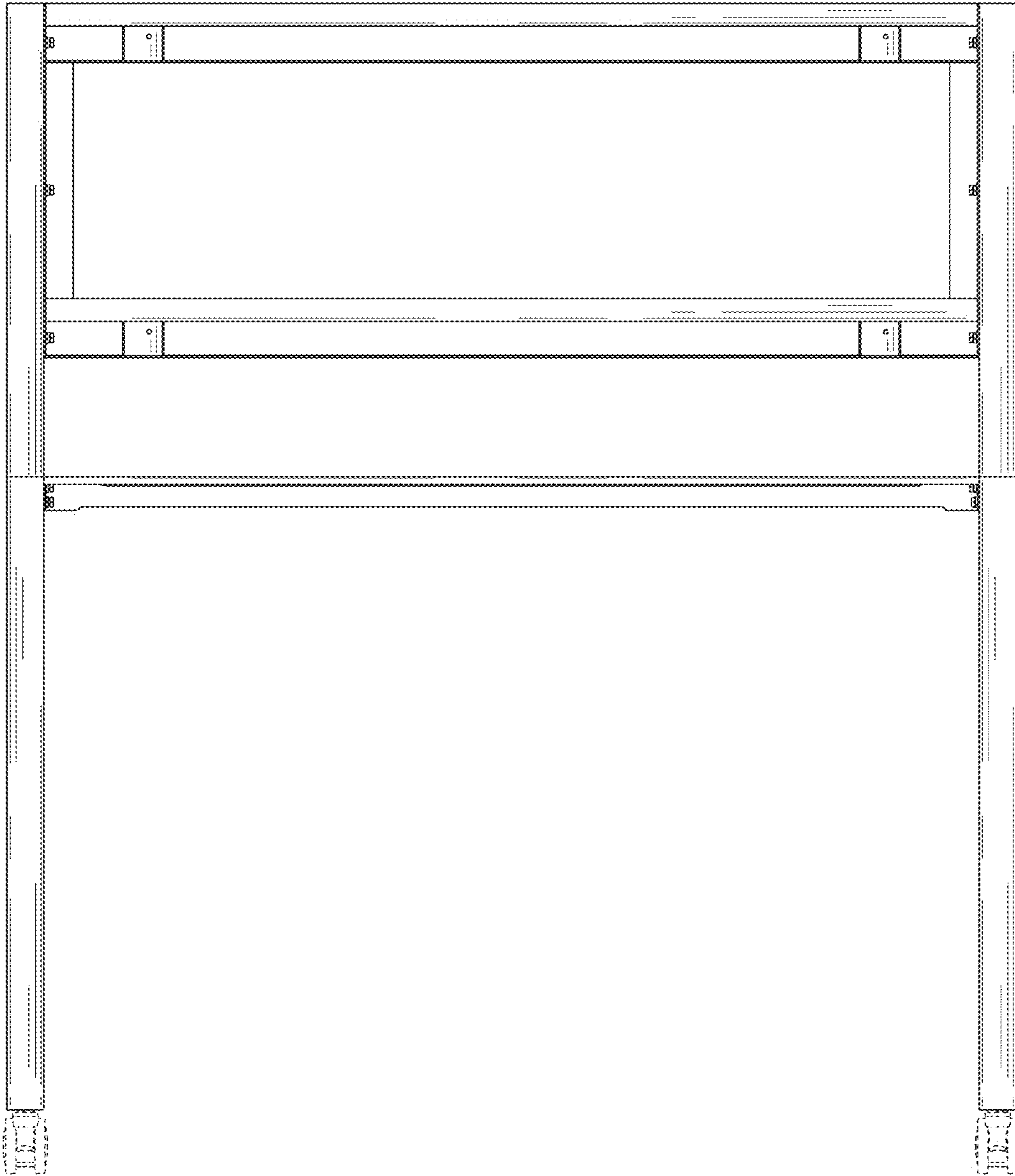


FIG. 4

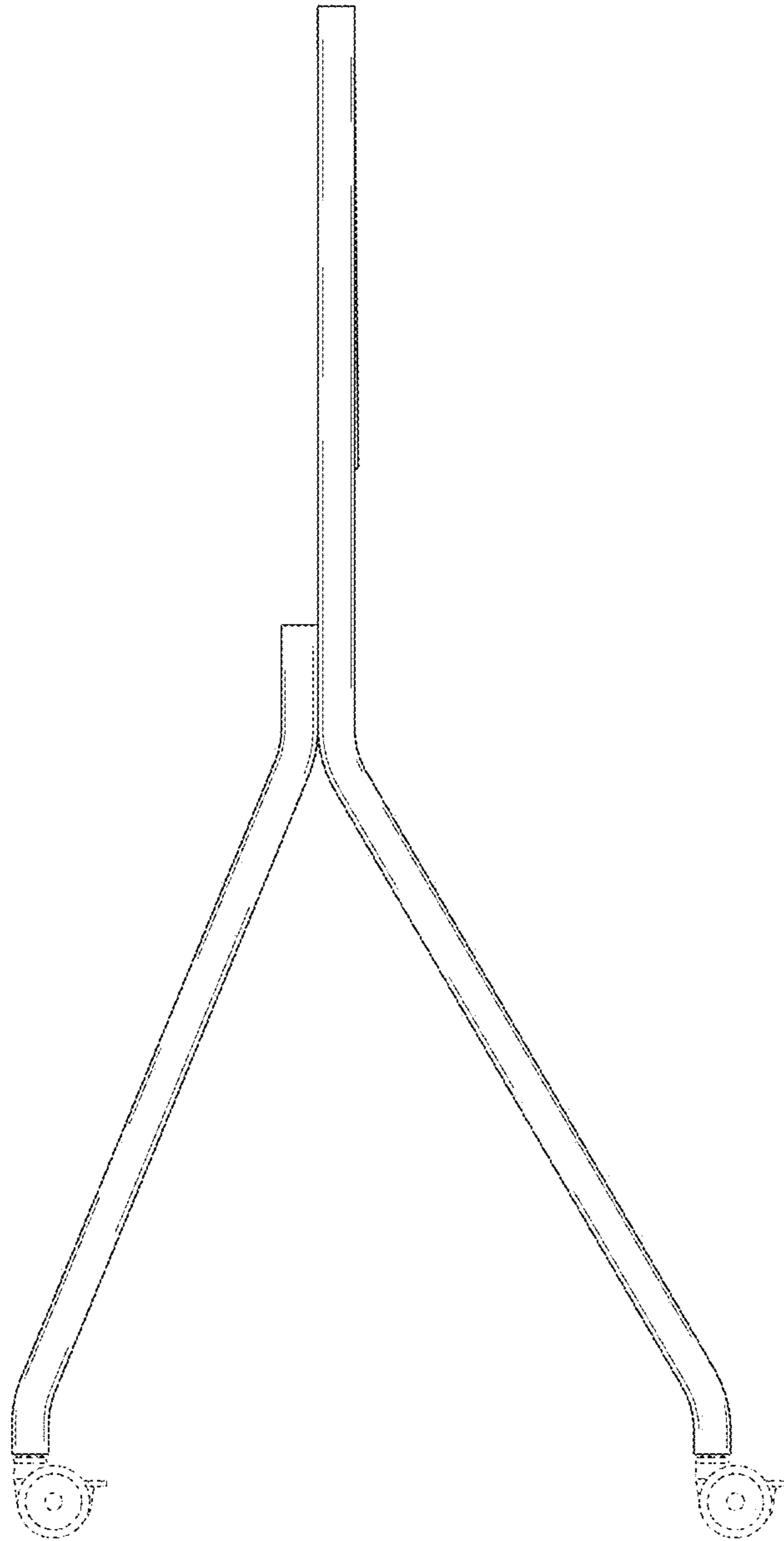


FIG. 5

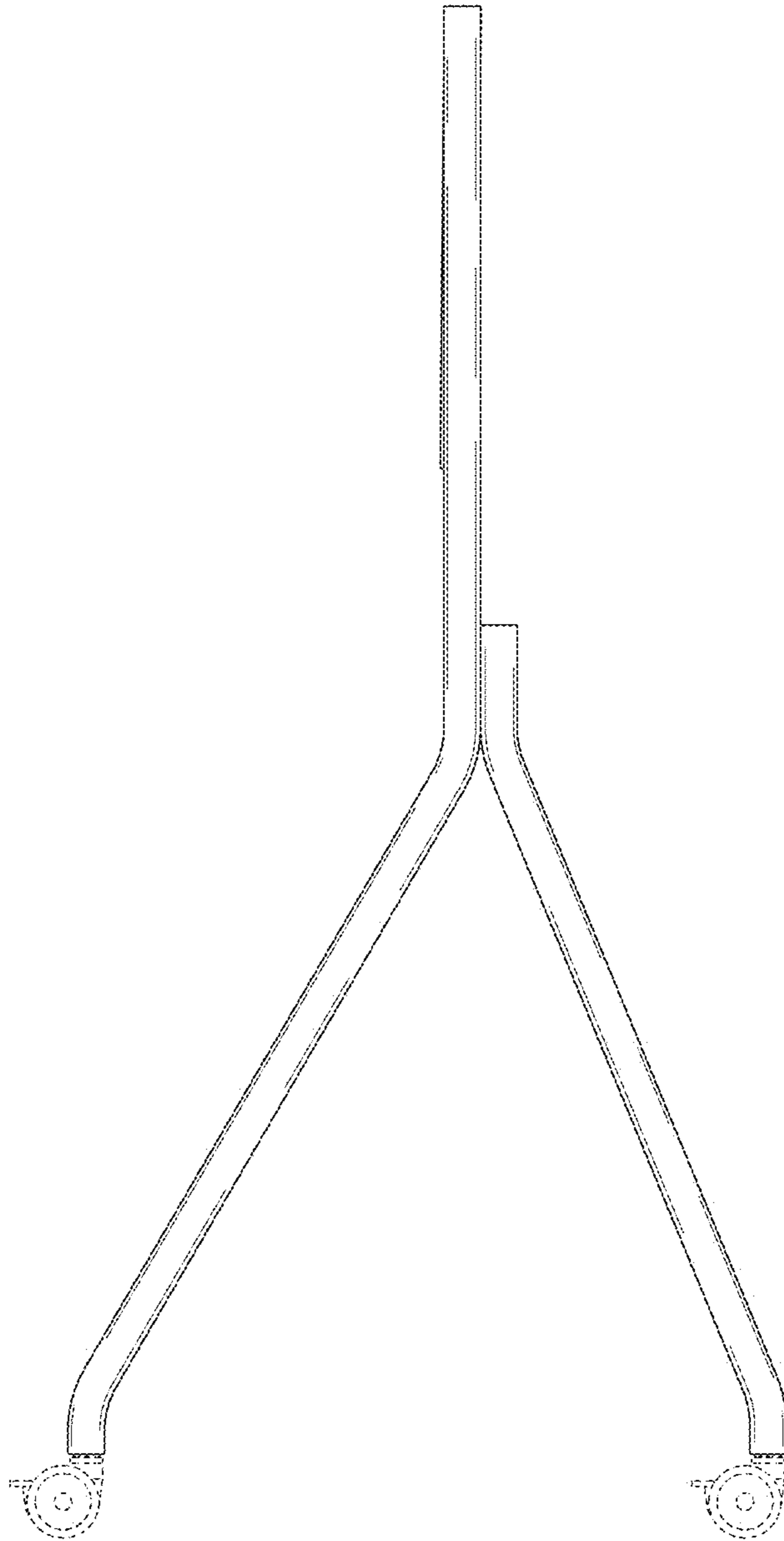


FIG. 6

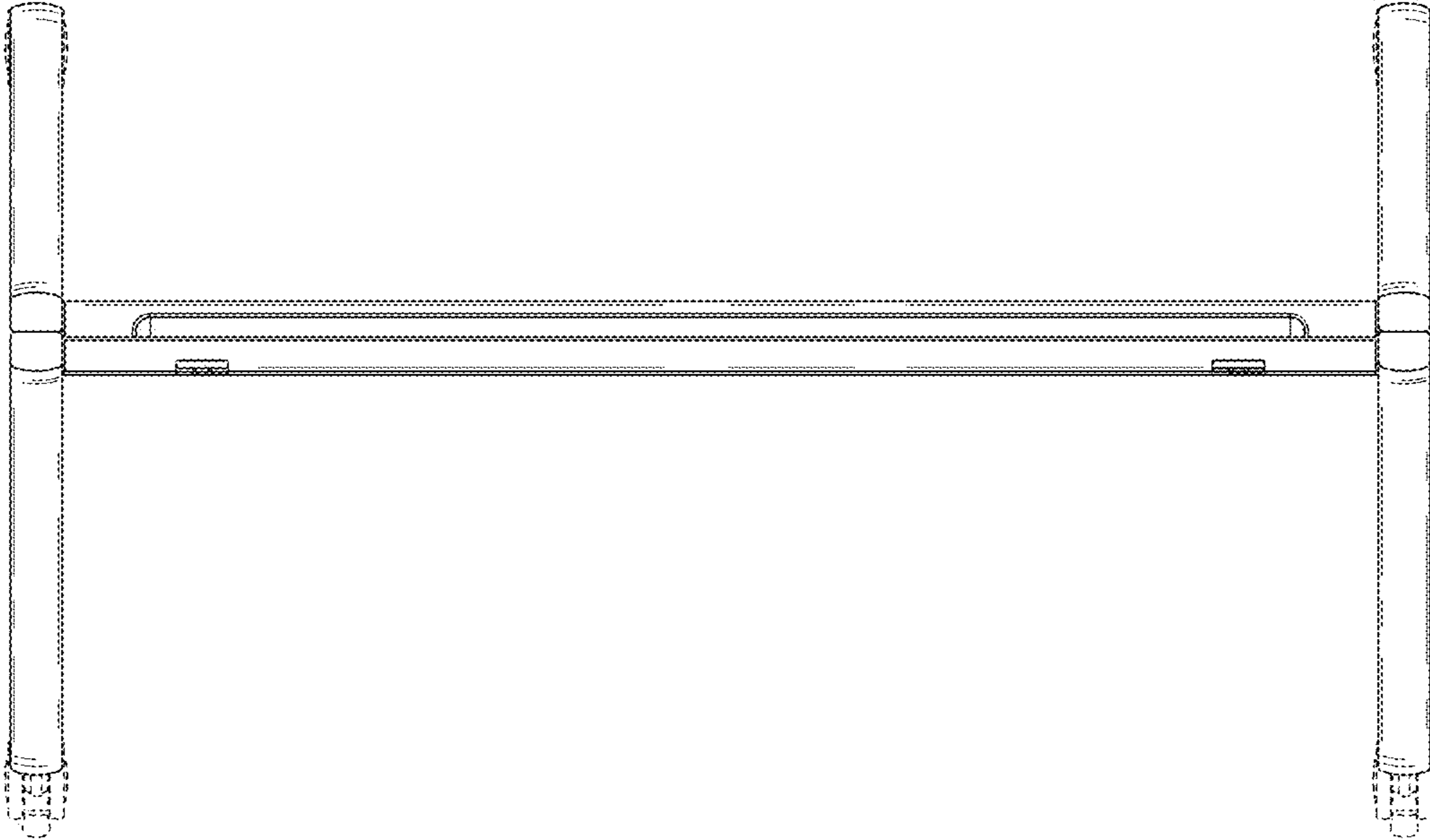


FIG. 7

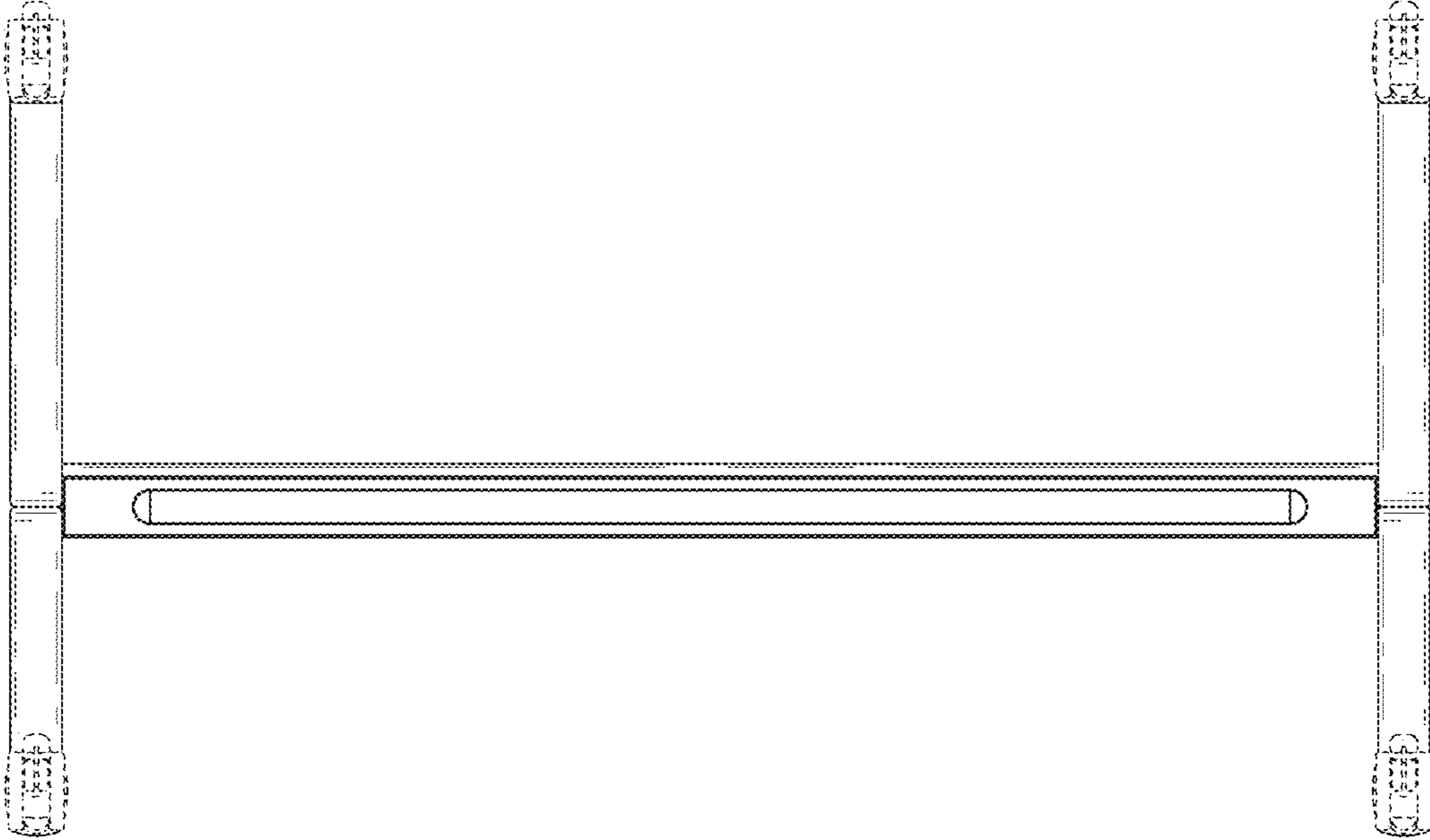


FIG. 8