



US00D946228S

(12) **United States Design Patent** (10) **Patent No.:** **US D946,228 S**
Ye (45) **Date of Patent:** **** Mar. 15, 2022**

(54) **BROOM SET** 2005/0071943 A1* 4/2005 Liu A47L 13/52
15/257.2
(71) Applicant: **SHENZHEN GUDAN** 2007/0089259 A1* 4/2007 Jones A46B 15/00
TECHNOLOGY TRADING CO., 15/257.2
LTD, Shenzhen (CN) 2009/0188070 A1* 7/2009 Arnold A47L 13/52
15/257.2
(72) Inventor: **Caibin Ye, Shenzhen (CN)** 2009/0223007 A1* 9/2009 Li A46B 5/0095
15/105
(73) Assignee: **SHENZHEN GUDAN** 2014/0251373 A1* 9/2014 Yan B25F 1/04
TECHNOLOGY TRADING CO., 134/6
LTD, Shenzhen (CN) 2018/0008115 A1* 1/2018 Trevino A47L 13/52
2019/0167063 A1* 6/2019 Balz A46B 15/0055
2020/0337514 A1* 10/2020 Miller A47L 13/12
2021/0068609 A1* 3/2021 Bajwa A47L 13/52
(**) Term: **15 Years**

FOREIGN PATENT DOCUMENTS

(21) Appl. No.: **29/777,710**
(22) Filed: **Apr. 8, 2021**
(51) **LOC (13) Cl.** **07-05**
(52) **U.S. Cl.**
USPC **D32/52**
(58) **Field of Classification Search**
USPC D32/35, 40-43, 50-52; D4/116
CPC A47L 13/10; A47L 13/12; A47L 13/52
See application file for complete search history.

CN 304532414 * 3/2018
CN 304891367 * 11/2018
CN 305191734 * 6/2019
WO WO D026578-001 * 9/1993

* cited by examiner

Primary Examiner — John R Yeh

(57) **CLAIM**

The ornamental design for a broom set, as shown and described.

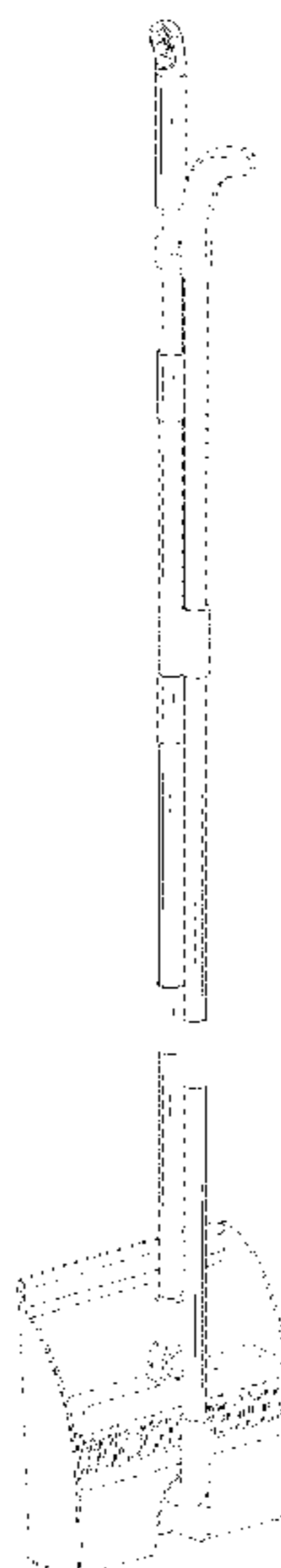
(56) **References Cited**
U.S. PATENT DOCUMENTS

DESCRIPTION

5,379,481 A * 1/1995 De A47L 13/52
15/257.2
D424,263 S * 5/2000 Canni Ferrari D32/22
D468,106 S 1/2003 Robertson
D548,911 S * 8/2007 Main D32/38
D564,164 S * 3/2008 Harper D32/51
D571,069 S * 6/2008 Harper D32/52
D595,509 S 7/2009 Sekercioglu
D622,018 S * 8/2010 Renner D32/50
10,201,262 B1 * 2/2019 Serfas A46B 1/00
D850,046 S * 5/2019 Shippen D32/50
D865,309 S * 10/2019 Zheng D32/50
D866,897 S * 11/2019 Baxter D32/50
D925,850 S * 7/2021 Tullney D32/50
D935,719 S * 11/2021 Huang D32/51

FIG. 1 is a perspective view of a broom set showing my new design;
FIG. 2 is another perspective view thereof;
FIG. 3 is a front elevational view thereof;
FIG. 4 is a rear elevational view thereof;
FIG. 5 is a left side elevational view thereof;
FIG. 6 is a right side elevational view thereof;
FIG. 7 is a top plan view thereof; and,
FIG. 8 is a bottom plan view thereof.
The broken lines in the drawings depict boundaries of the broom set that form no part of the claimed design.

1 Claim, 8 Drawing Sheets



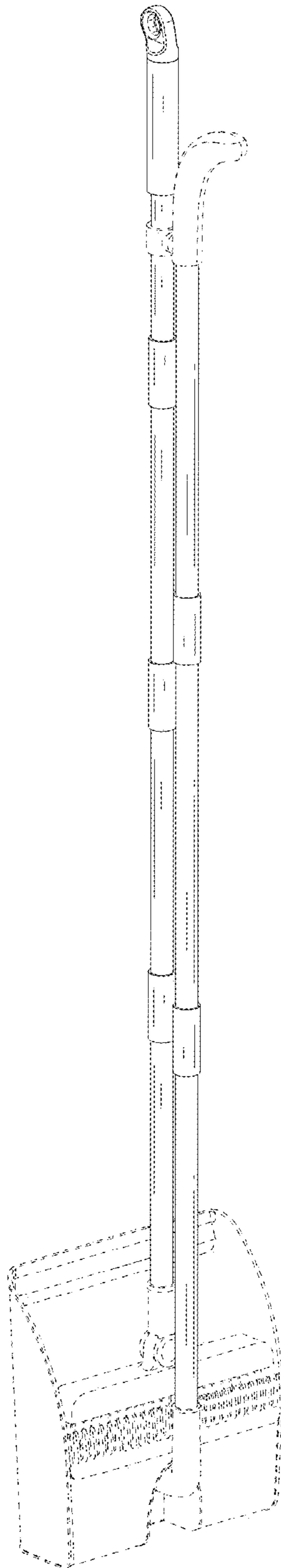


FIG. 1

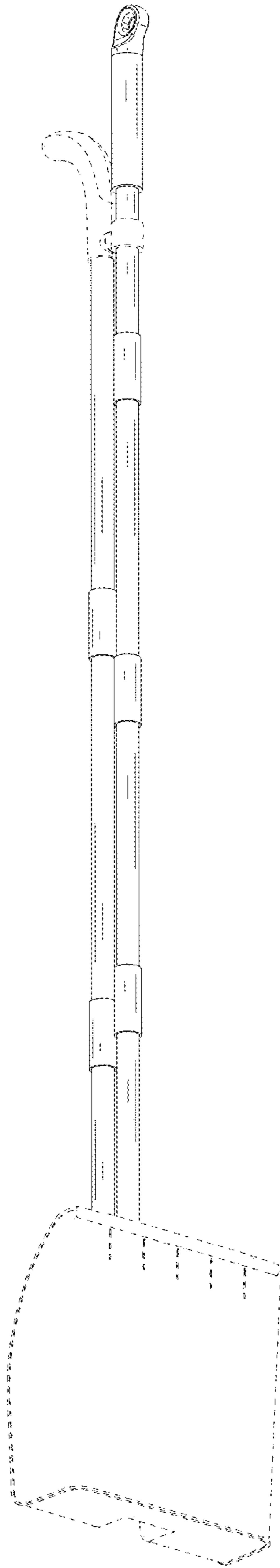


FIG. 2

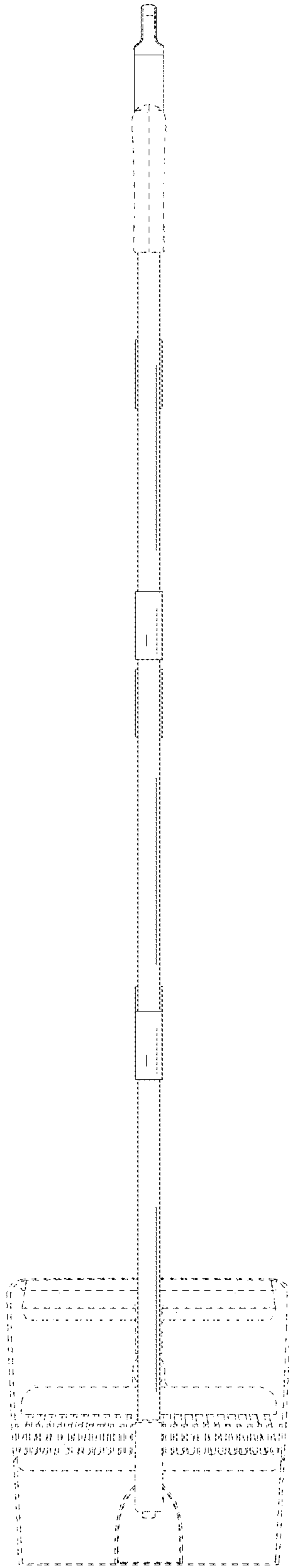


FIG. 3

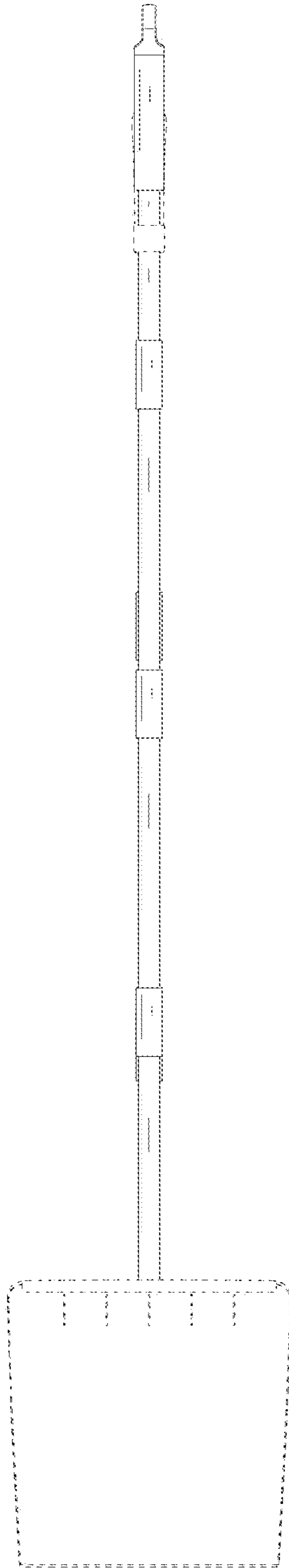


FIG. 4

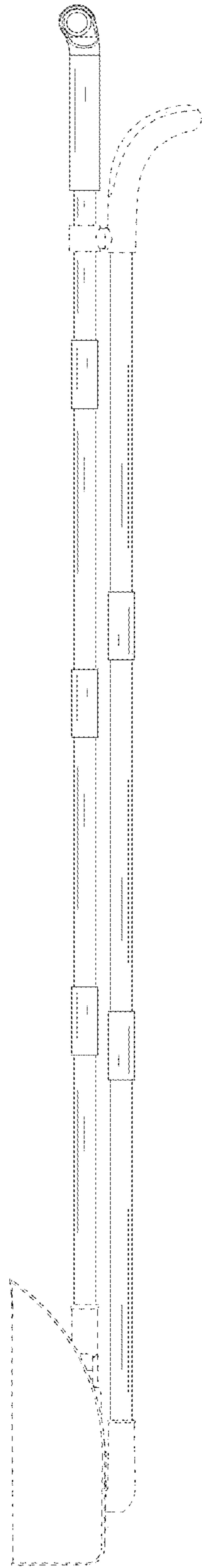


FIG. 5

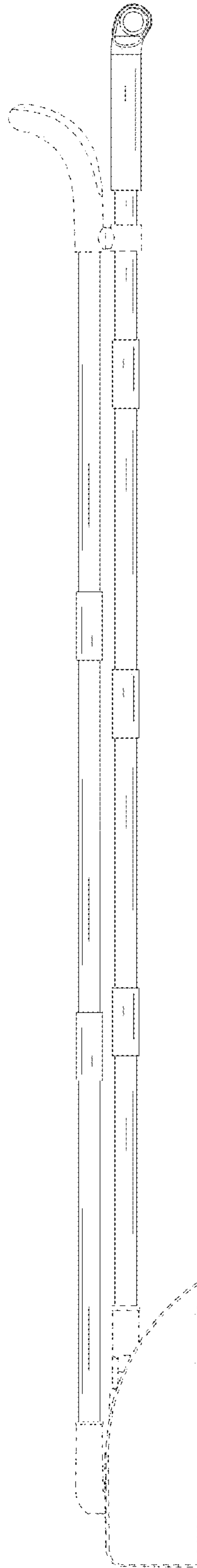


FIG. 6

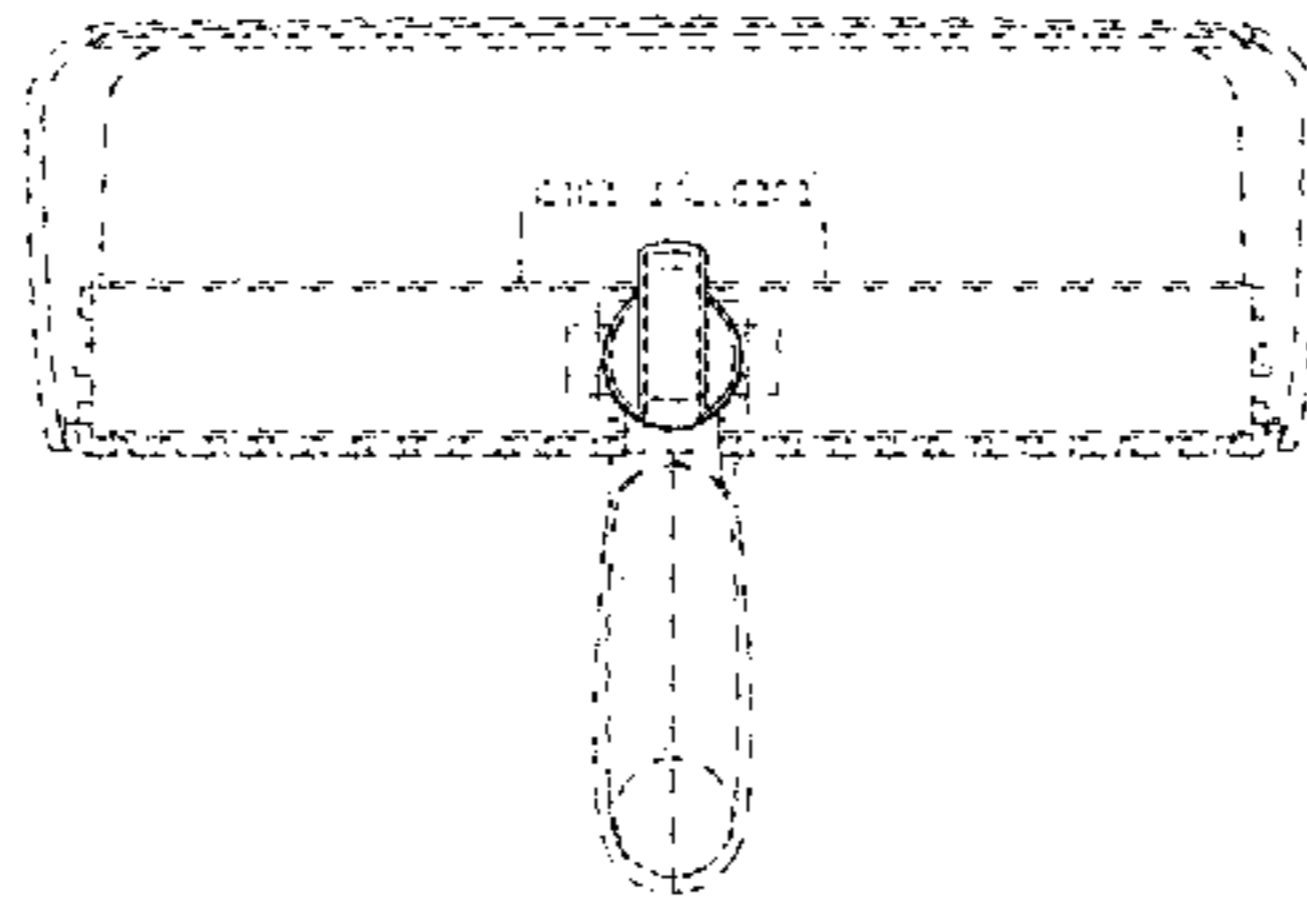


FIG. 7

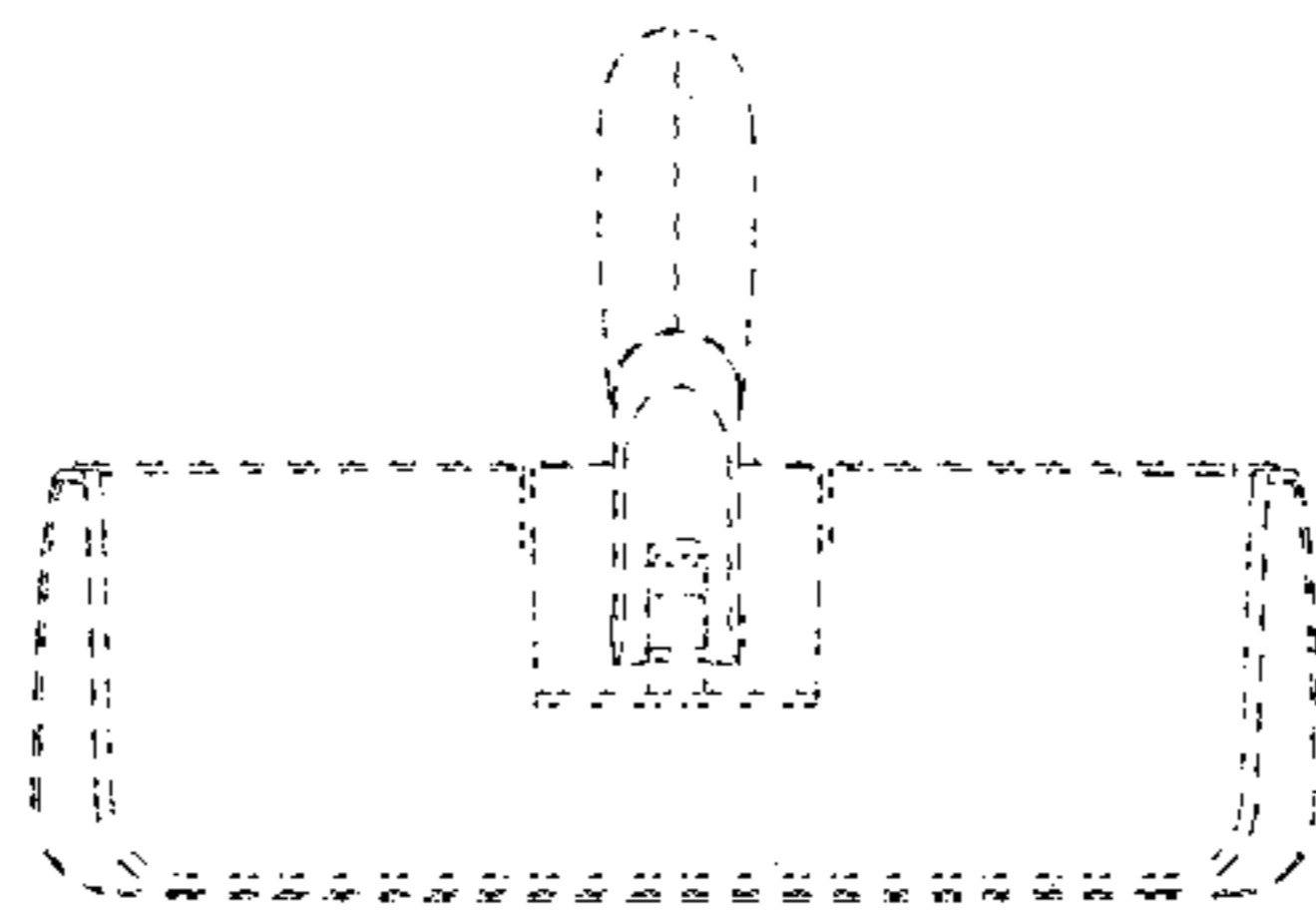


FIG. 8