

US00D946227S

(12) **United States Design Patent**  
**Anderson et al.**

(10) **Patent No.: US D946,227 S**  
(45) **Date of Patent: \*\* Mar. 15, 2022**

(54) **ICE SCRAPER**

(71) Applicant: **SUNCAST TECHNOLOGIES, LLC**,  
Palm Beach Gardens, FL (US)

(72) Inventors: **Torrence Anderson**, Overland Park, IL  
(US); **Dov Blitzler**, Naperville, IL (US);  
**Kent J. Martin**, Geneva, IL (US);  
**Stephen Whitehead**, Elgin, IL (US)

(73) Assignee: **Suncast Technologies, LLC**, Palm  
Beach Gardens, FL (US)

(\*\*) Term: **15 Years**

(21) Appl. No.: **29/722,138**

(22) Filed: **Jan. 27, 2020**

(51) **LOC (13) Cl.** ..... **07-05**

(52) **U.S. Cl.**  
USPC ..... **D32/46**

(58) **Field of Classification Search**  
USPC ..... D32/46-49; D8/94, 98, 105; D4/104,  
D4/138  
CPC ..... A47L 13/10; A47L 13/12; A47J 37/0786;  
A47J 37/00; A47J 37/07; A45F 5/00  
See application file for complete search history.

(56) **References Cited**

**U.S. PATENT DOCUMENTS**

4,040,140	A *	8/1977	Hopkins	.....	B60S 3/045
					15/236.02
4,302,862	A *	12/1981	Machacek	.....	B60S 3/045
					15/117
D292,532	S *	10/1987	Strongwater	.....	D32/49
D335,771	S *	5/1993	Mallory	.....	D32/42
D388,570	S *	12/1997	Humphries	.....	D32/42
D392,784	S *	3/1998	Hellinger	.....	D32/49
D415,325	S *	10/1999	Hellinger	.....	D32/46
D422,125	S *	3/2000	Sneed	.....	D32/49
D459,847	S *	7/2002	Ingram	.....	D32/49
D485,031	S *	1/2004	Anderson	.....	D32/42

D542,490	S *	5/2007	Barnes, Jr.	.....	D32/49
D542,491	S *	5/2007	Barnes, Jr.	.....	D32/49
D649,313	S *	11/2011	Ediger	.....	D32/41
D652,593	S *	1/2012	Wu	.....	D32/40
8,312,589	B1 *	11/2012	Thomas	.....	A47L 1/16
					15/236.02
9,084,525	B2 *	7/2015	Cohen	.....	A47L 13/12
9,872,591	B2 *	1/2018	Casavan	.....	B25G 1/00
D841,918	S *	2/2019	Tschopp	.....	D32/46
10,537,215	B1 *	1/2020	Strong	.....	A47L 1/16

(Continued)

**FOREIGN PATENT DOCUMENTS**

CA	108770	*	4/2006
RU	00093464	*	5/2015

**OTHER PUBLICATIONS**

Amazon.com: Suncast SSD9500 10"DLX Ice Chop, website 2021,  
<https://www.amazon.com/SUNCAST-SSD9500-DLX-Chop-Scraper/dp/B00IOX69YG/ref...> site visited Mar. 13, 2021.\*

*Primary Examiner* — John R Yeh

(74) *Attorney, Agent, or Firm* — McHale & Slavin, P.A.

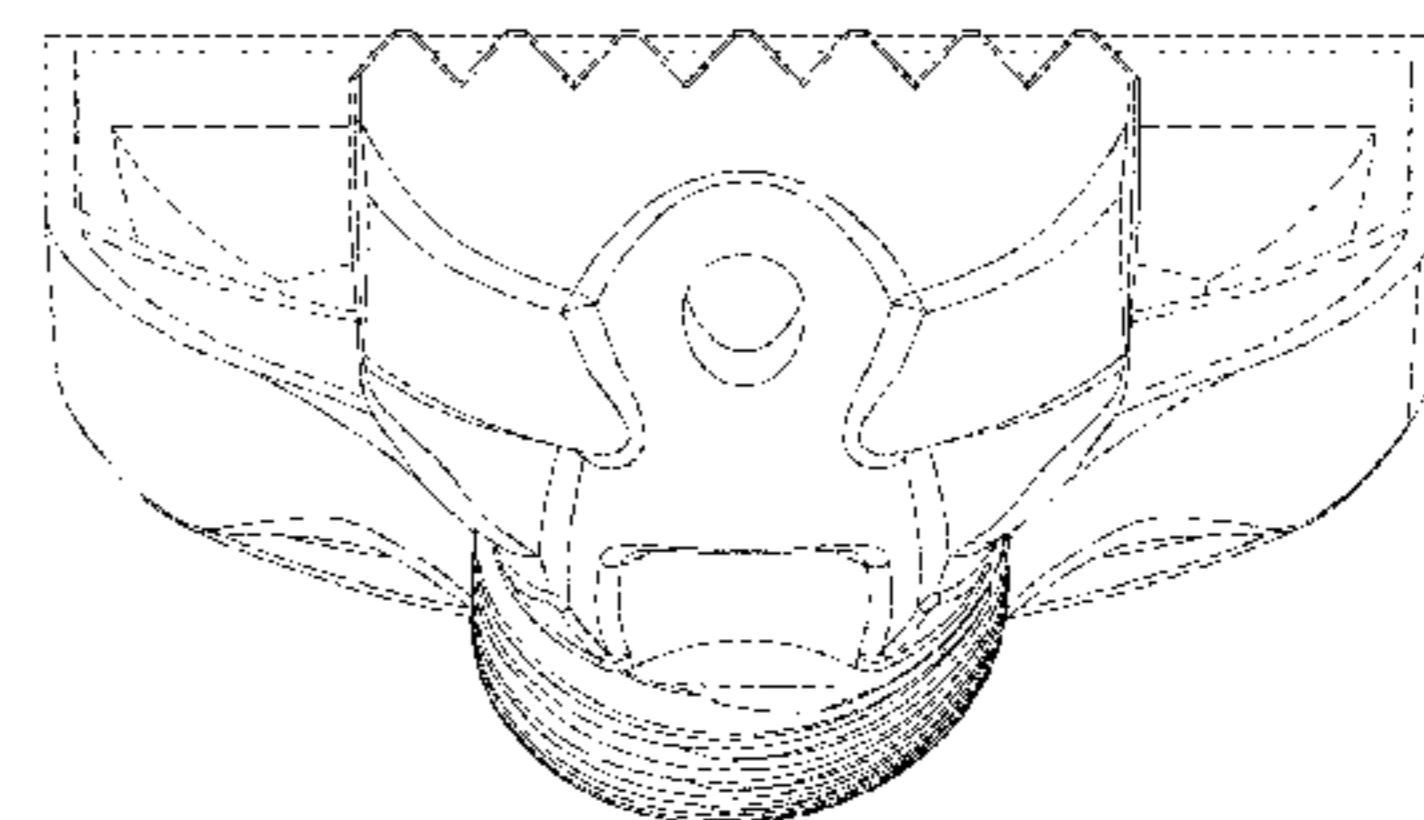
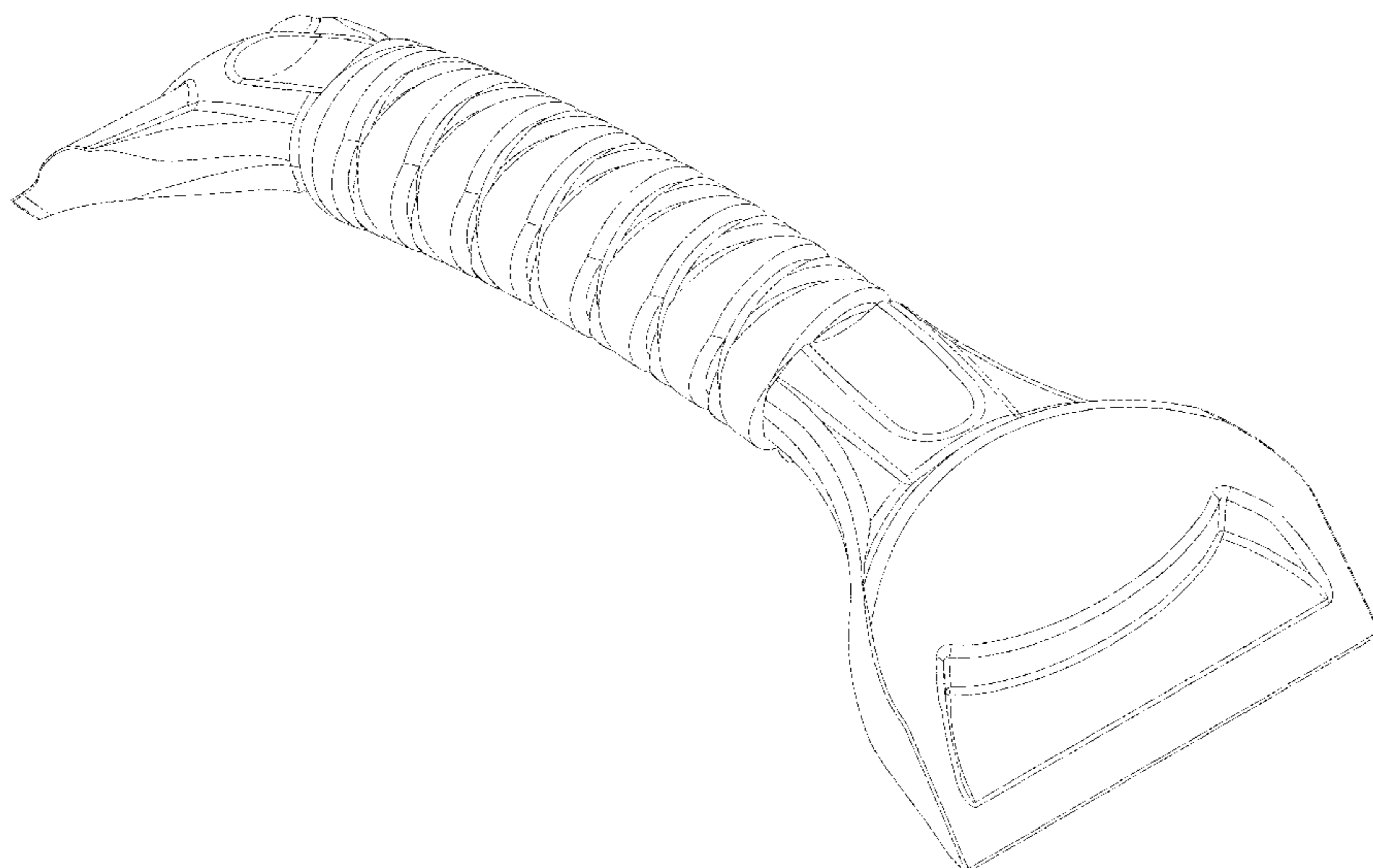
(57) **CLAIM**

The ornamental design for an ice scraper, as shown and described.

**DESCRIPTION**

FIG. 1 is a top front left perspective view of the ice scraper of the present invention;  
FIG. 2 is a top front right perspective view thereof;  
FIG. 3 is a front view thereof;  
FIG. 4 is a rear view thereof;  
FIG. 5 is a left side view thereof;  
FIG. 6 is a right side view thereof; and,  
FIG. 7 is a top view thereof.  
The broken lines in the figures illustrate portions of the ice scraper that form no part of the claimed design.

**1 Claim, 6 Drawing Sheets**



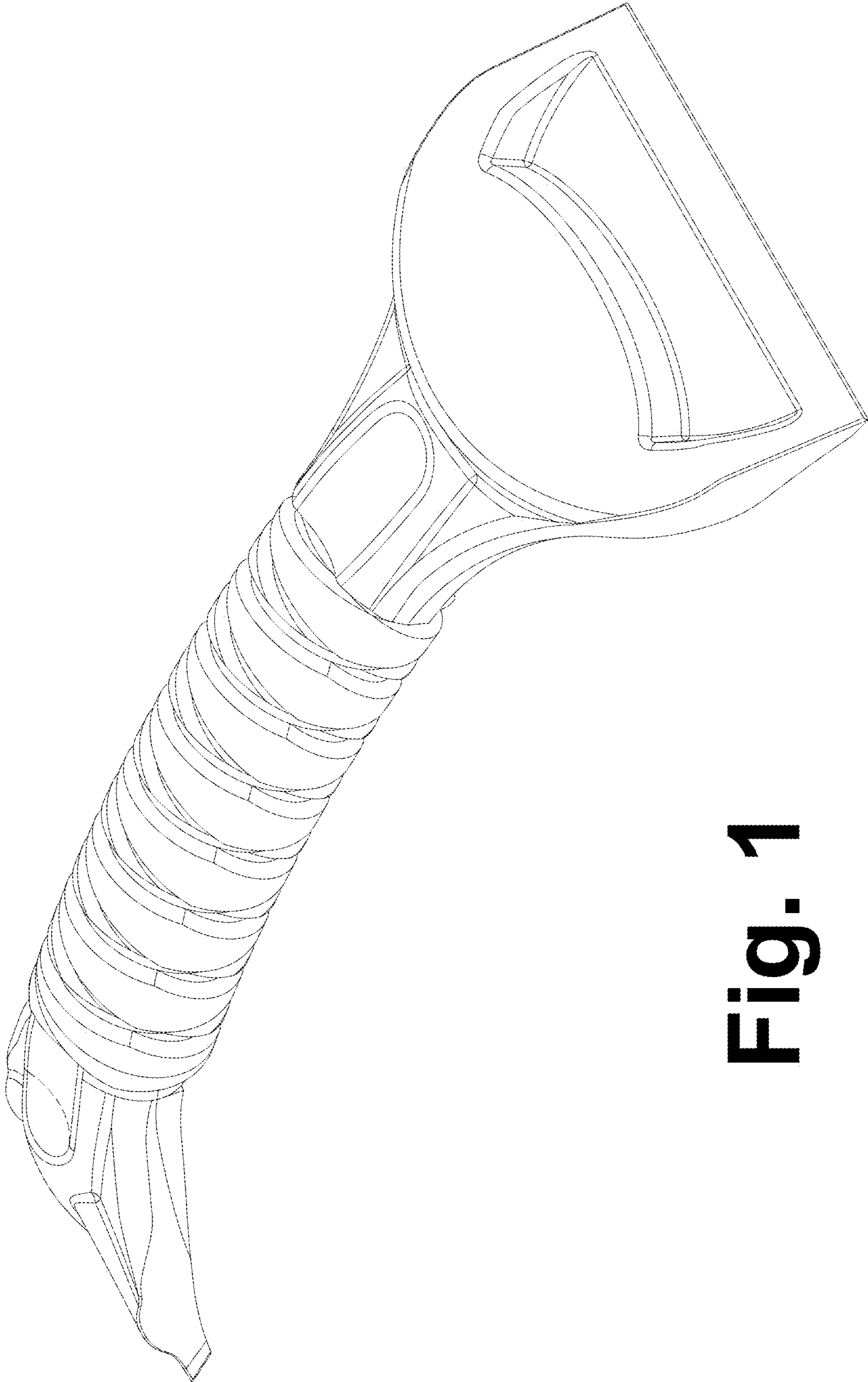
(56)

**References Cited**

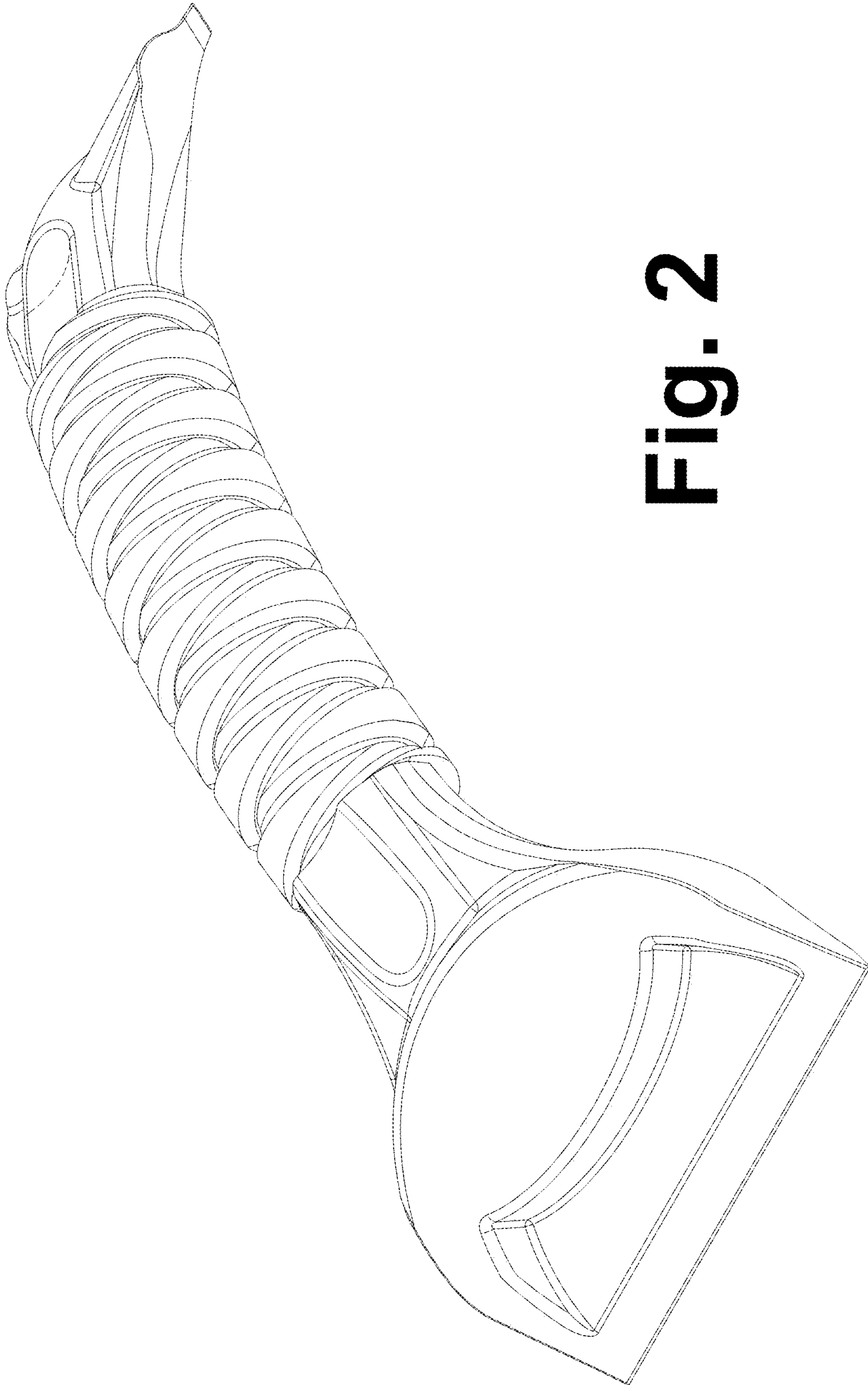
U.S. PATENT DOCUMENTS

D889,851 S \* 7/2020 Lei ..... D4/118  
2018/0021935 A1\* 1/2018 Blouin ..... B25G 1/00  
16/110.1

\* cited by examiner

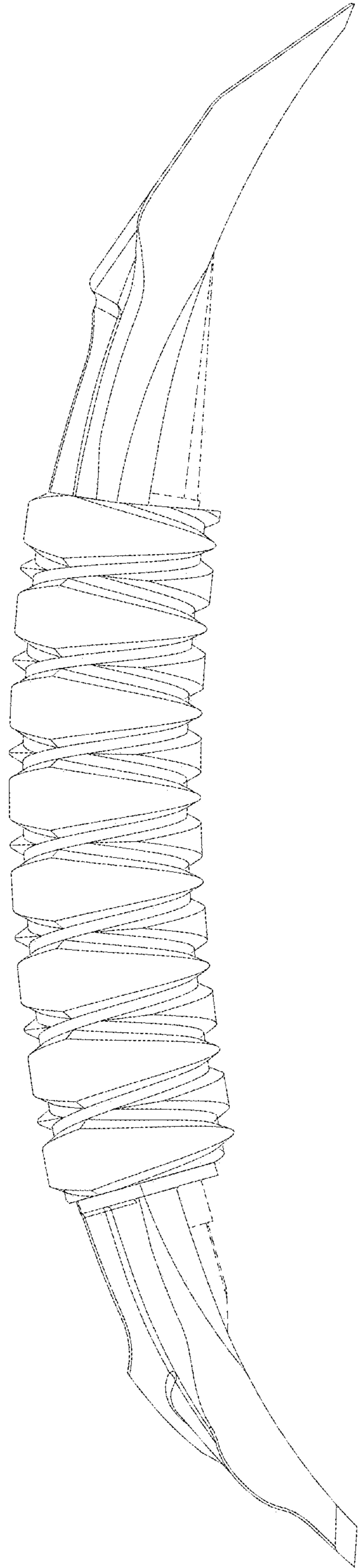


**Fig. 1**

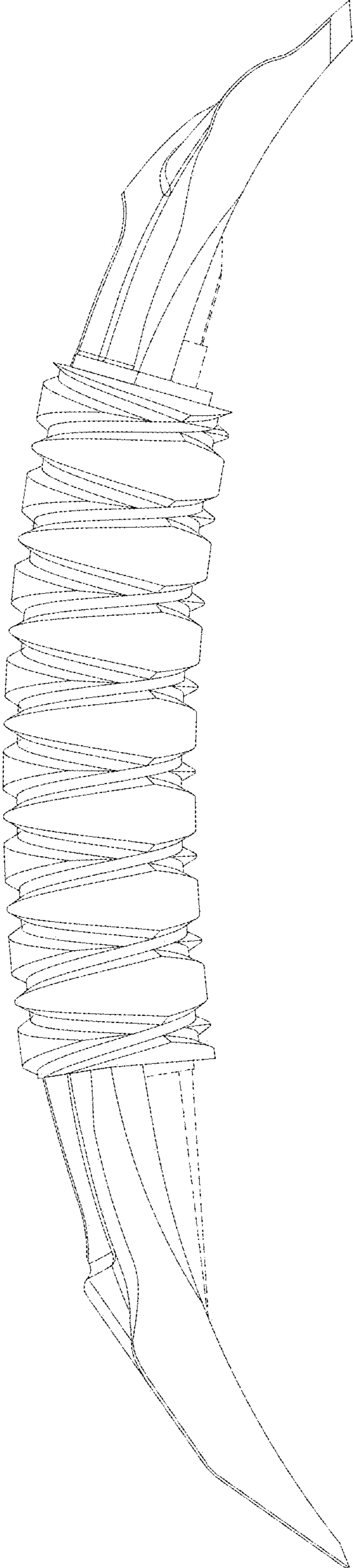


**Fig. 2**

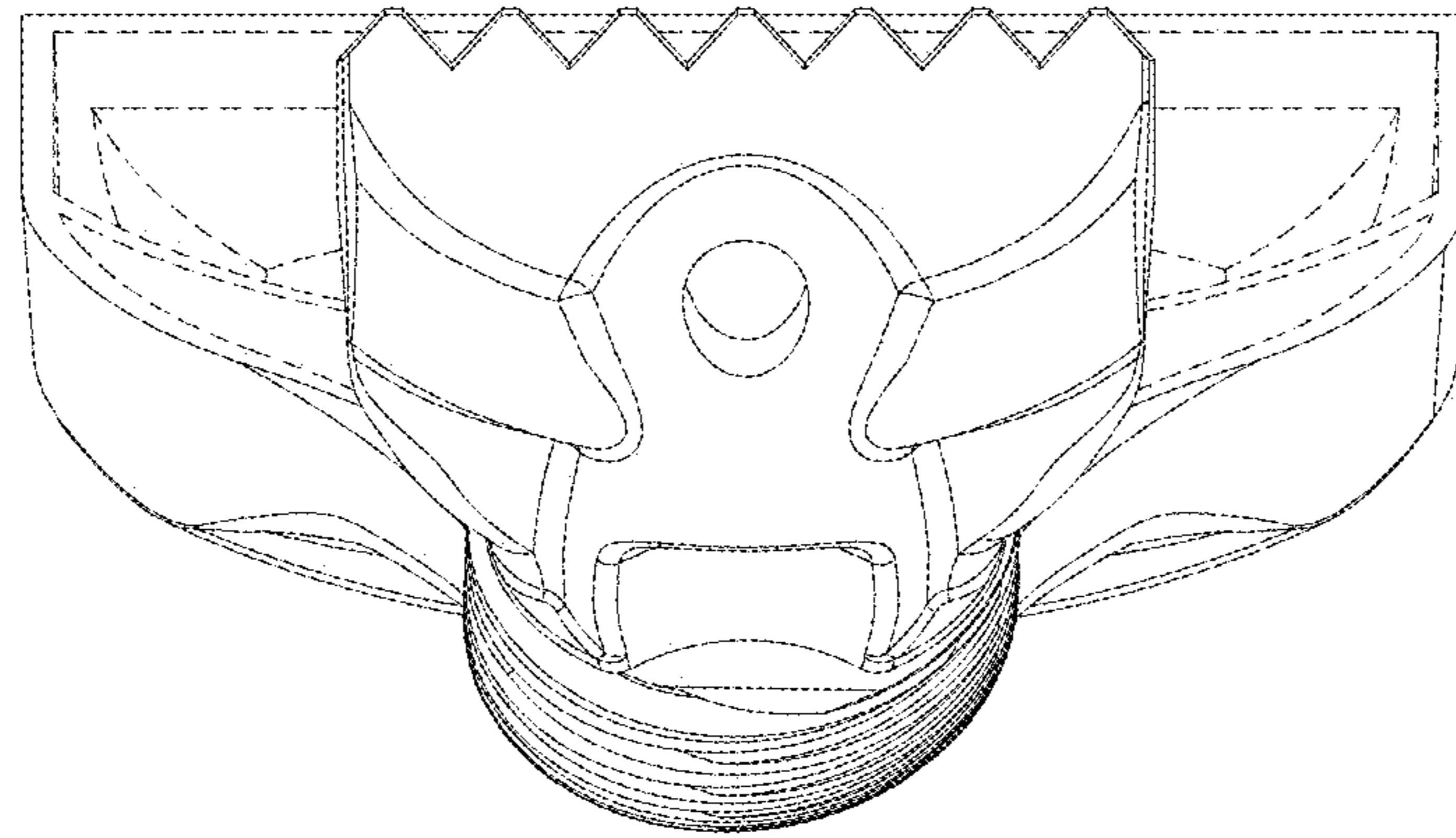




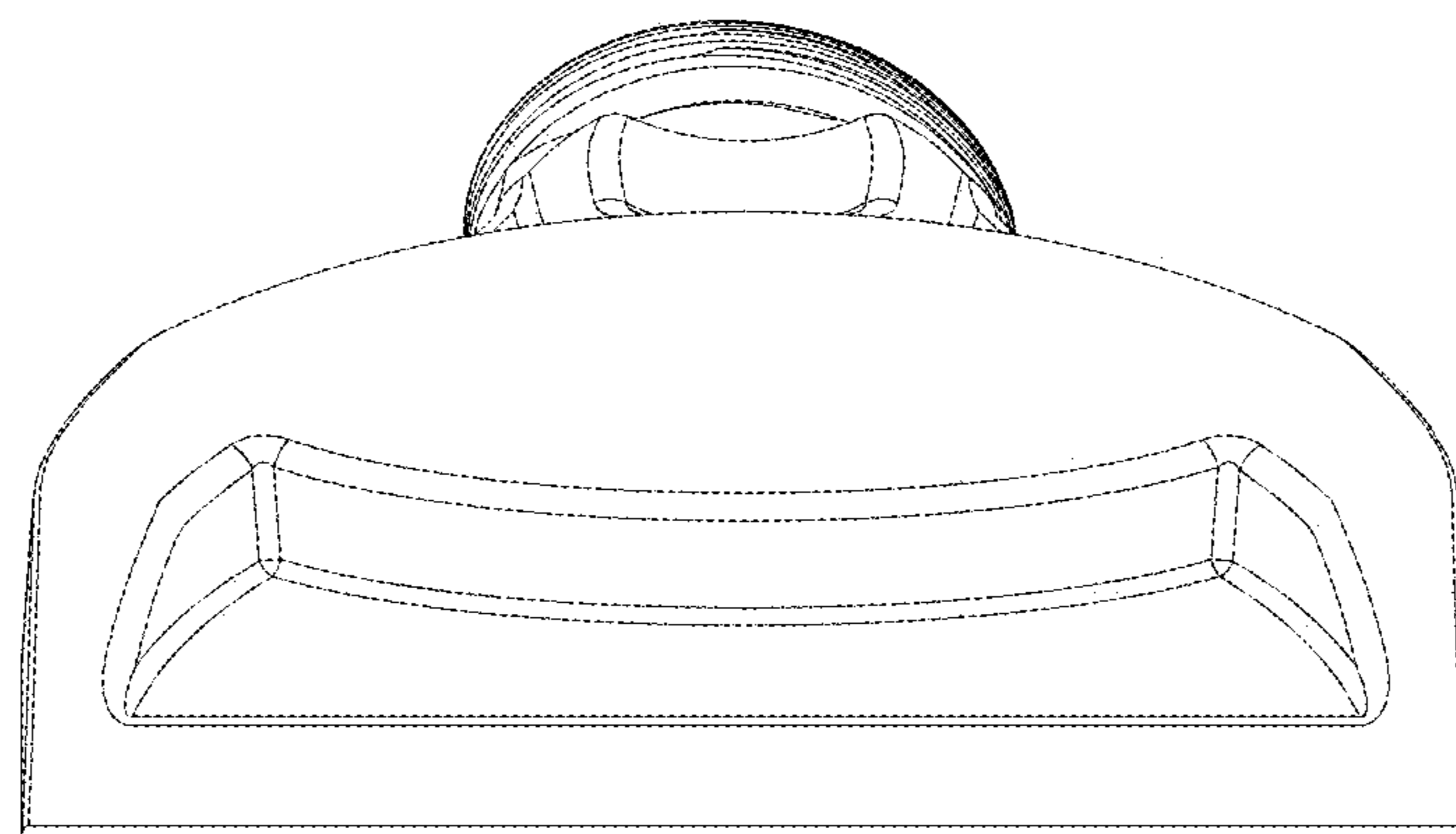
**Fig. 3**



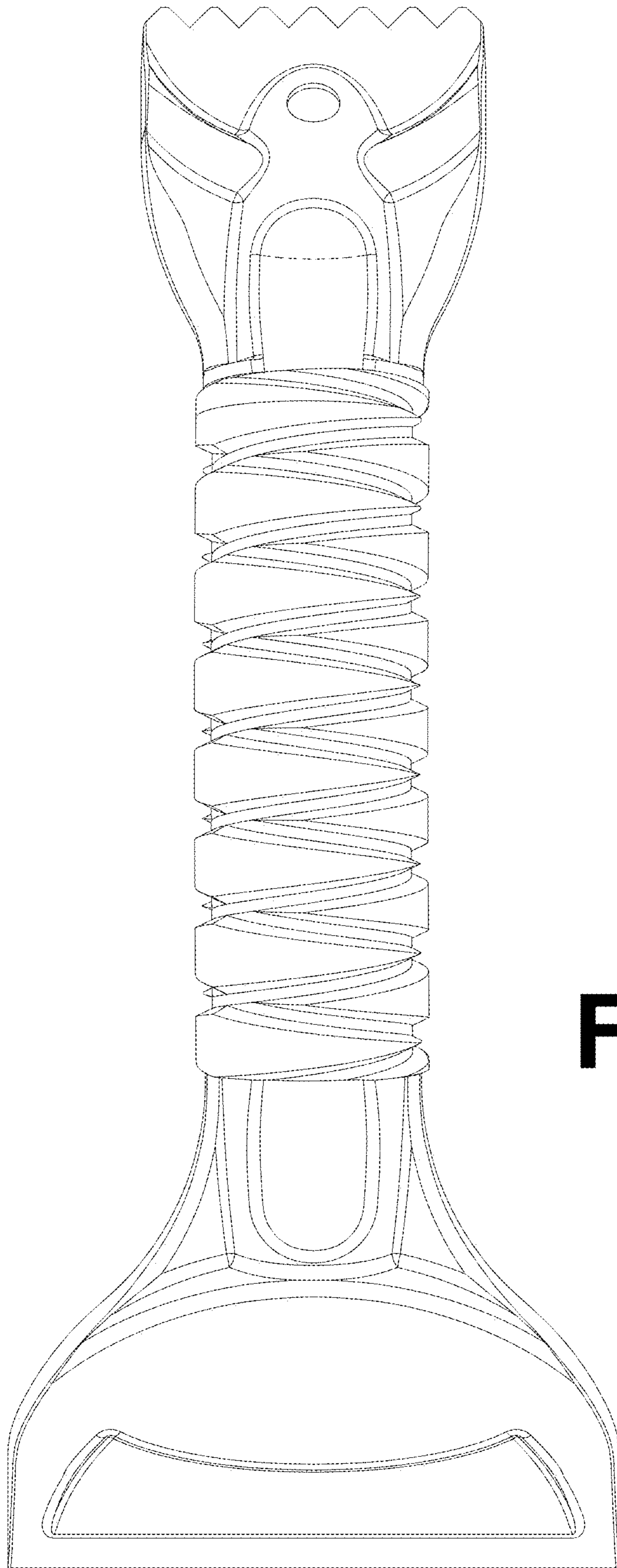
**Fig. 4**



**Fig. 5**



**Fig. 6**



**Fig. 7**