



US00D946222S

(12) **United States Design Patent**
Lin

(10) **Patent No.:** **US D946,222 S**
(45) **Date of Patent:** **** Mar. 15, 2022**

(54) **SURFACE CLEANER FOR PRESSURE WASHER**

D409,477 S * 5/1999 Royster D8/375
D425,683 S * 5/2000 Nichols D34/39
D532,946 S * 11/2006 Gansebom D32/25

(Continued)

(71) Applicant: **Shanghai Mingbiao Trading Co., Ltd.**,
Shanghai (CN)

(72) Inventor: **Quanming Lin**, Shanghai (CN)

(73) Assignee: **Shanghai Mingbiao Trading Co., Ltd.**,
Shanghai (CN)

(**) Term: **15 Years**

(21) Appl. No.: **29/796,437**

(22) Filed: **Jun. 24, 2021**

(51) **LOC (13) Cl.** **15-05**

(52) **U.S. Cl.**

USPC **D32/25**

(58) **Field of Classification Search**

USPC D32/1, 4, 15, 16, 23, 25; D8/70;
D9/435, 440, 447; D15/126, 138;
D23/213, 223, 225-230, 358, 363, 365,
D23/386, 390; D25/133, 135; D26/2;
D27/148

CPC A47L 7/0014; A47L 13/03; A47L 13/17;
A47L 13/19; A47L 11/16; A47L 11/162;
A47L 11/4005; A47L 11/4075; A47L
11/4083; B08B 3/00; B08B 3/003; B08B
3/02; B08B 3/024; B08B 3/026; A46B
11/063

See application file for complete search history.

(56) **References Cited**

U.S. PATENT DOCUMENTS

D212,257 S * 9/1968 Schaefer et al. D32/23
D214,340 S * 6/1969 Schaefer et al. D32/23
D342,888 S * 1/1994 Rutter D8/375
D349,043 S * 7/1994 Carlson D8/375
D380,373 S * 7/1997 Screen D8/375

FOREIGN PATENT DOCUMENTS

CN 303439816 * 11/2015
GB 4023368 * 4/2012
GB 9008200380-0001 * 10/2020

OTHER PUBLICATIONS

KIDJFGG 16" Pressure Washer Surface Cleaner w/Wheels, date first available Jun. 15, 2021 [online], [site visited Nov. 30, 2021], Available from the internet URL: https://www.amazon.co.uk/KIDJFGG-Attachment-Extension-Connector-Replacement/dp/B0978FZTKH/ref=sr_1_8? (Year: 2021).*

(Continued)

Primary Examiner — Amy C Wierenga
Assistant Examiner — Jennylou M Binas

(74) *Attorney, Agent, or Firm* — ScienBiziP, P.C.

(57) **CLAIM**

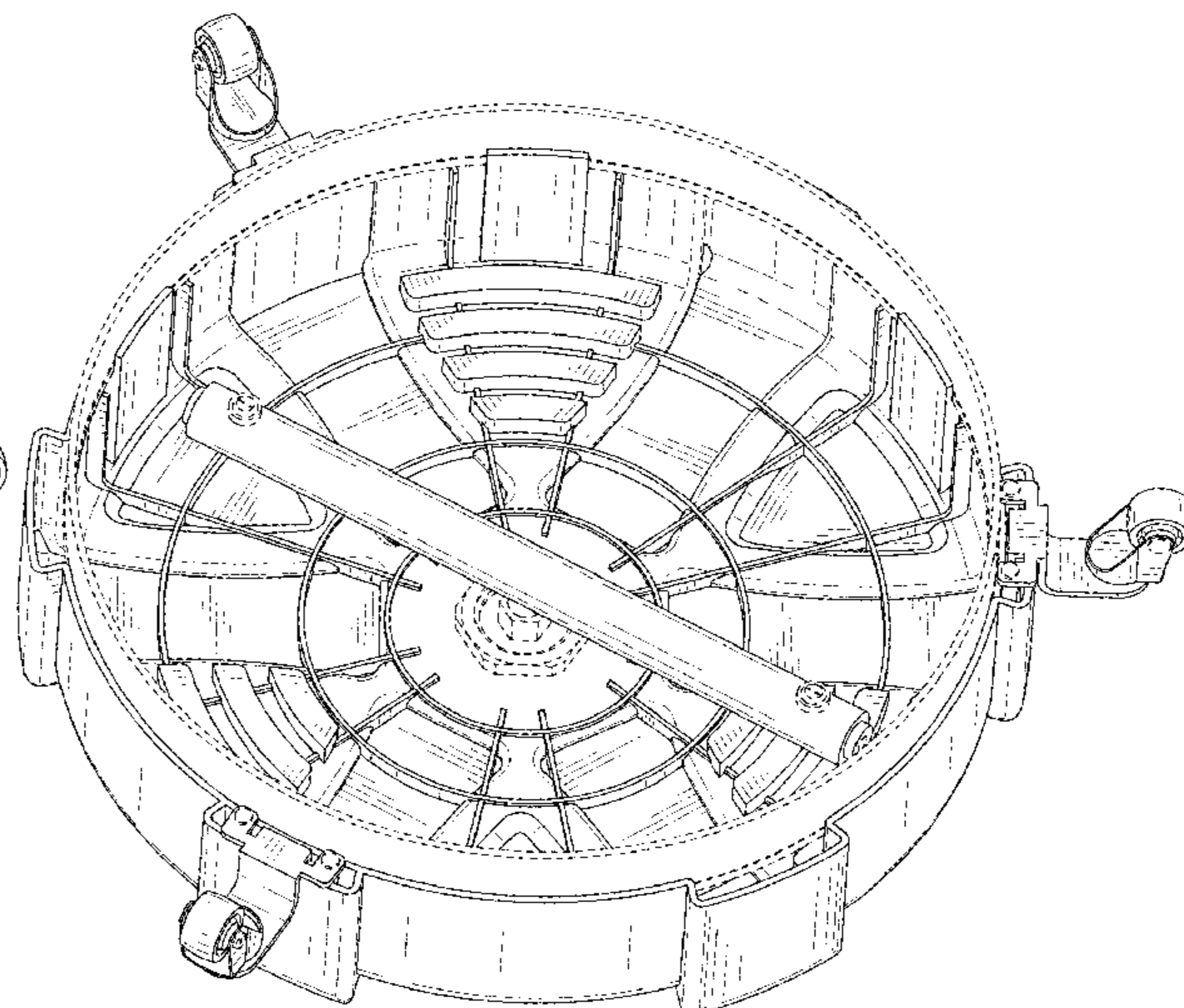
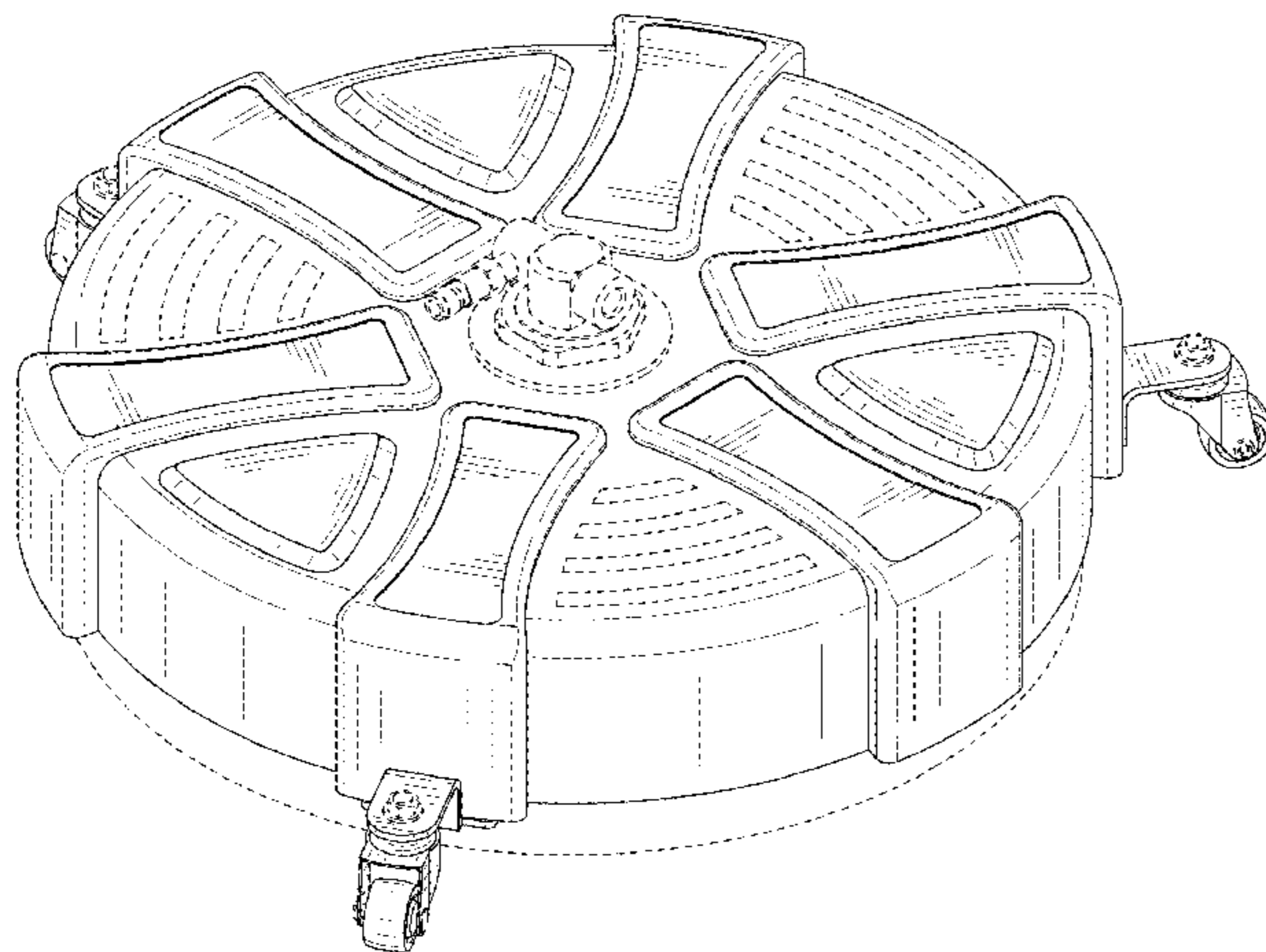
The ornamental design for a surface cleaner for pressure washer, as shown and described.

DESCRIPTION

FIG. 1 is a front, right, and top perspective view of a surface cleaner for pressure washer, showing my design.
FIG. 2 is a rear, left, and bottom perspective view thereof.
FIG. 3 is a front elevation view thereof.
FIG. 4 is a rear elevation view thereof.
FIG. 5 is a left side elevation view thereof.
FIG. 6 is a right side elevation view thereof.
FIG. 7 is a top plan view thereof; and,
FIG. 8 is a bottom plan view thereof.

The broken lines shown in the drawings are included for the purpose of illustrating portions of the surface cleaner for pressure washer that form no part of the claimed design.

1 Claim, 8 Drawing Sheets



(56)

References Cited

U.S. PATENT DOCUMENTS

D557,122	S	*	12/2007	Screen	D8/375
D577,166	S		9/2008	Rosenzweig	
D594,316	S	*	6/2009	Rhein	D8/375
D660,530	S	*	5/2012	Geringer	D32/21
D714,144	S	*	9/2014	Vogel	D9/443
D730,731	S	*	6/2015	Bewley, Jr.	D9/447
D736,608	S	*	8/2015	Fan	D8/375
D750,808	S	*	3/2016	Toye	D25/135
D751,898	S	*	3/2016	D'Anglade	D9/435
D762,475	S	*	8/2016	Turner	D9/454
D766,086	S	*	9/2016	Strachan	D9/454
D802,179	S	*	11/2017	Zeng	D26/2
D821,873	S	*	7/2018	Katopis	D9/452
D854,927	S	*	7/2019	Biesecker Longacre	D9/435
D859,764	S	*	9/2019	Sexton	D32/21
D889,599	S	*	7/2020	Moldthan	D23/213
D915,167	S	*	4/2021	Valentini	D8/70
D917,118	S	*	4/2021	Ye	D32/25
D918,340	S	*	5/2021	Zheng	D23/225

OTHER PUBLICATIONS

M Mingle 16 Inch Pressure Washer Surface Cleaner with Wheels, date first available Mar. 27, 2021 [online], [site visited Nov. 30, 2021] , Available from the internet URL: https://www.amazon.co.uk/MINGLE-Pressure-Attachment-Extension-Replacement/dp/B091717DDF/ref=sr_1_11? (Year: 2021).*

Tool Daily 13 Inch Pressure Washer Surface Cleaner Attachment, date first available Mar. 29, 2021 [online], [site visited Nov. 30, 2021], Available from the internet URL: https://www.amazon.co.uk/Tool-Daily-Pressure-Attachment-Extension/dp/B0919Y18W5/ref=sr_1_93? (Year: 2021).*

Best Pressure Washer Surface Cleaners, available in website.com, announced Sep. 27, 2021 [online], [site visited Nov. 30, 2021], Internet URL: <https://www.findthisbest.com/best-pressure-washer-accessories/surface-cleaners> (Year: 2021).*

* cited by examiner

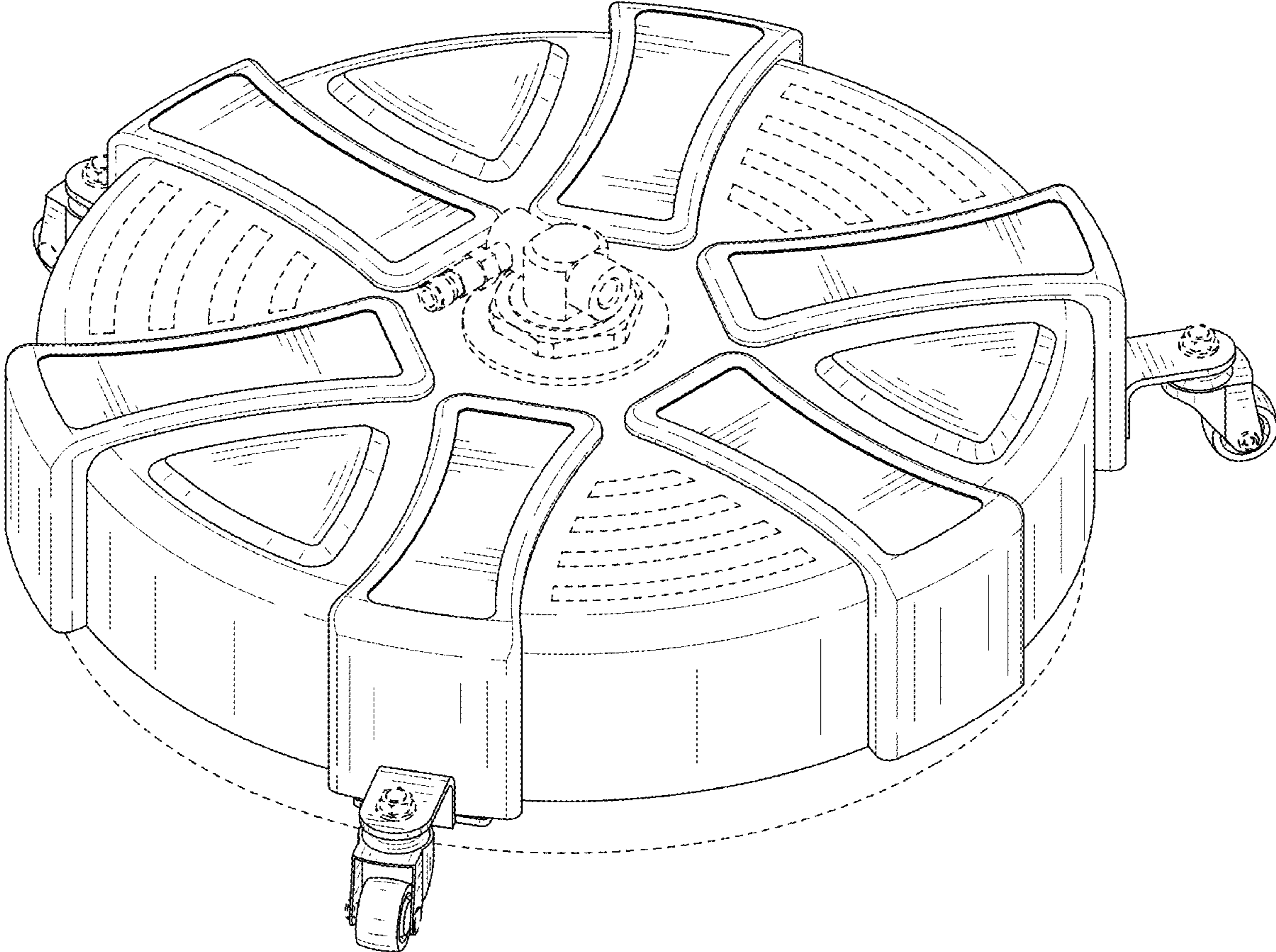


FIG. 1

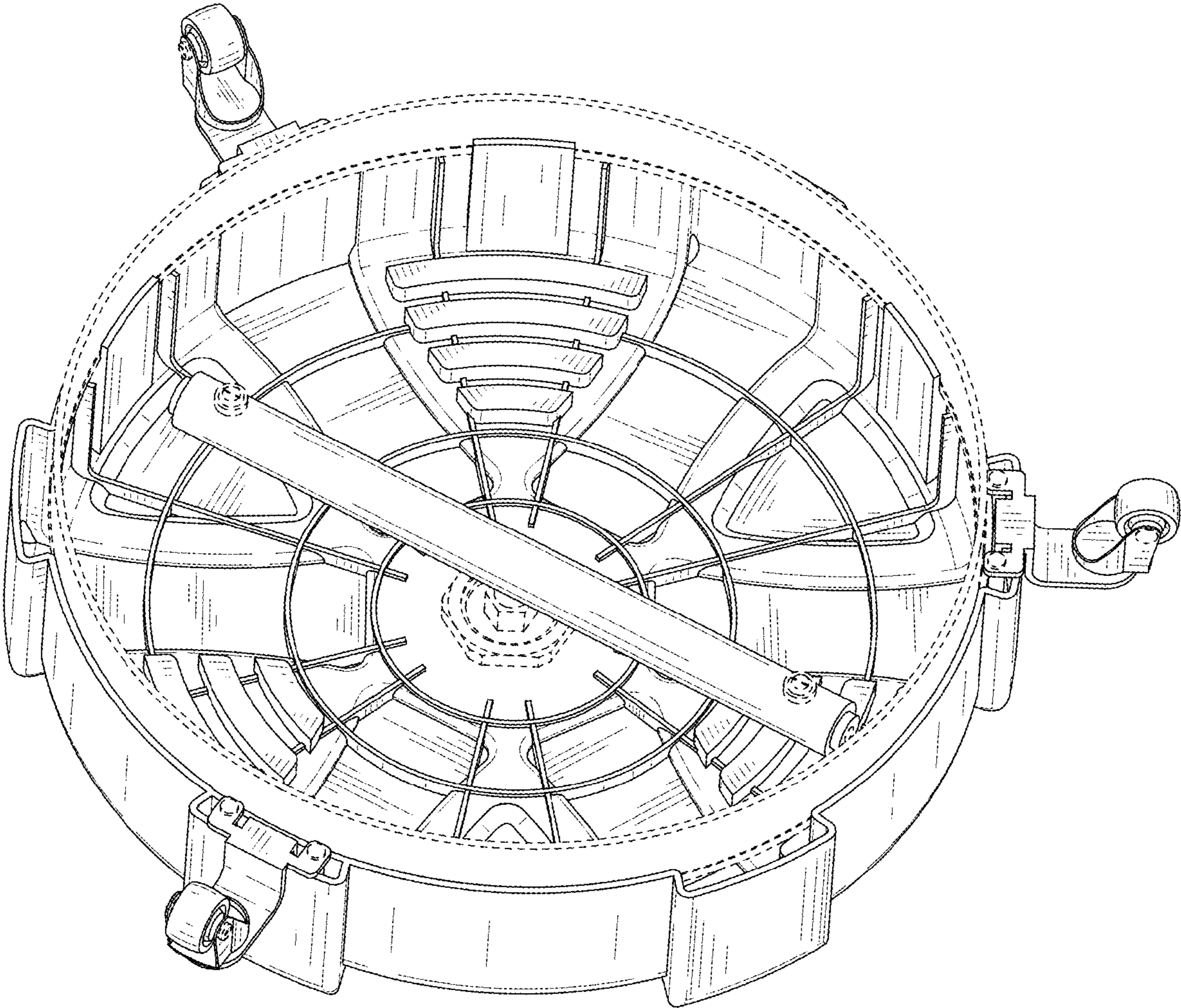


FIG. 2

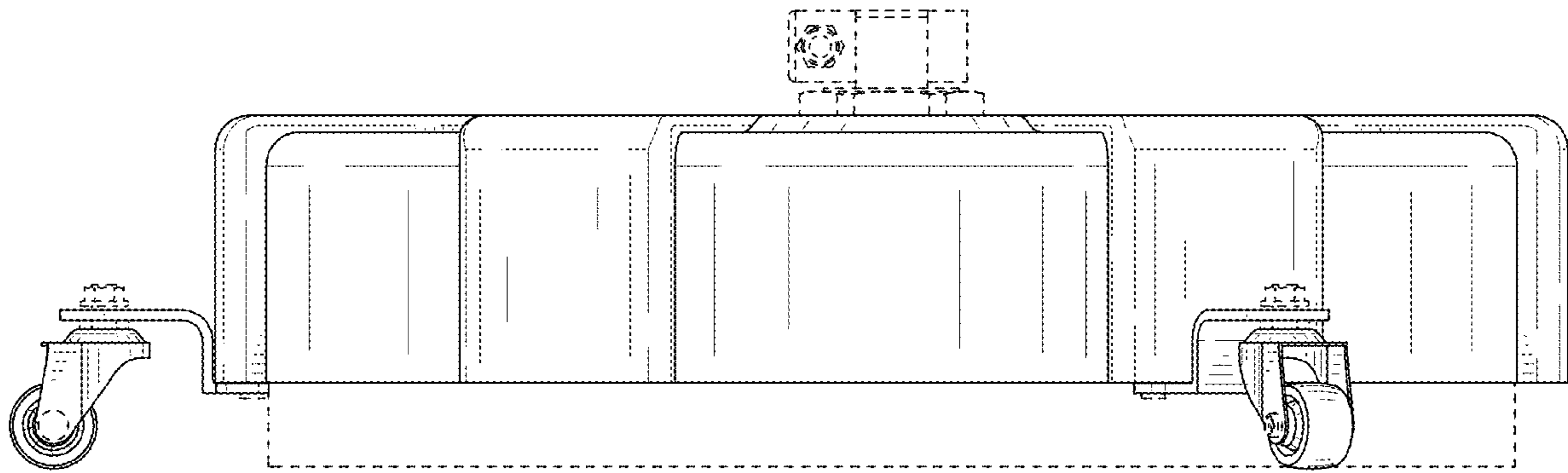


FIG. 3

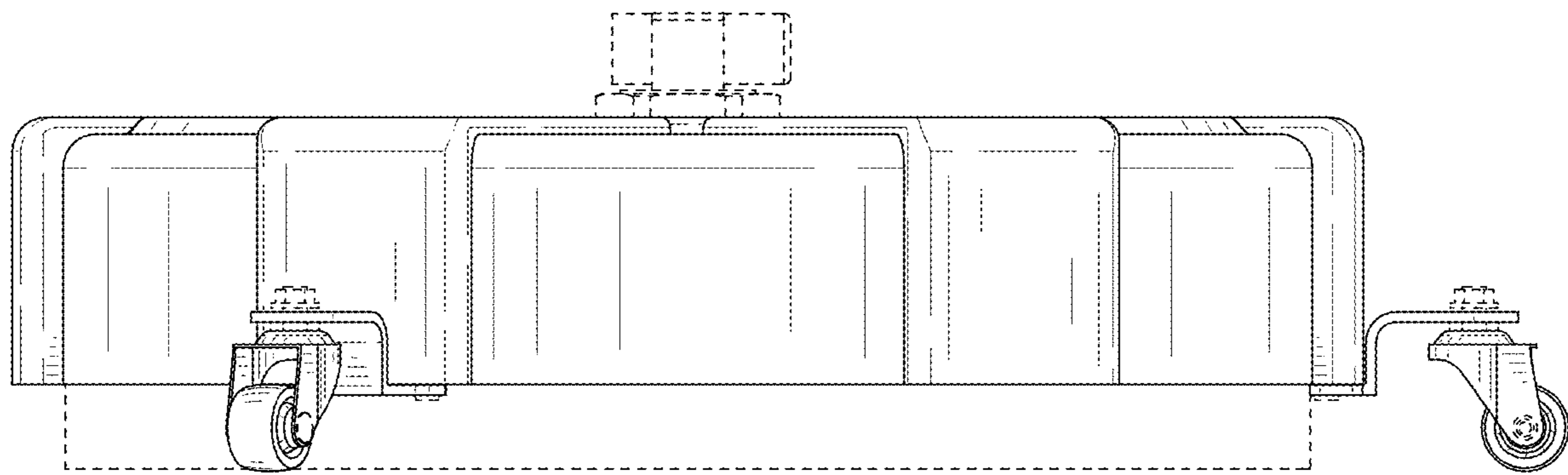


FIG. 4

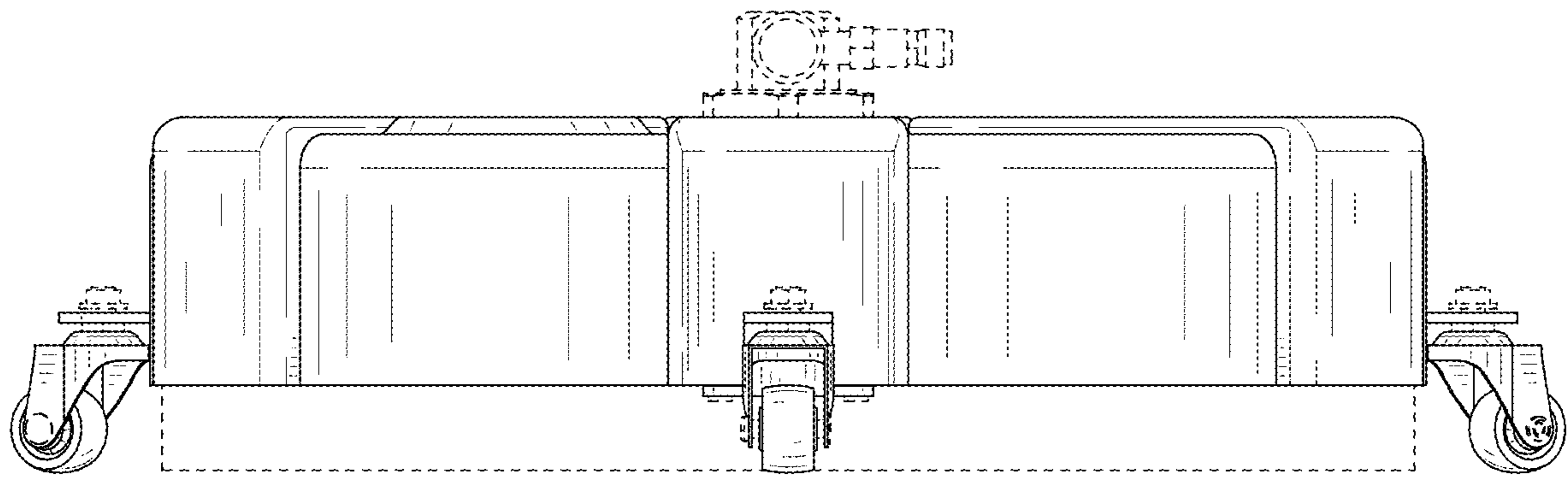


FIG. 5

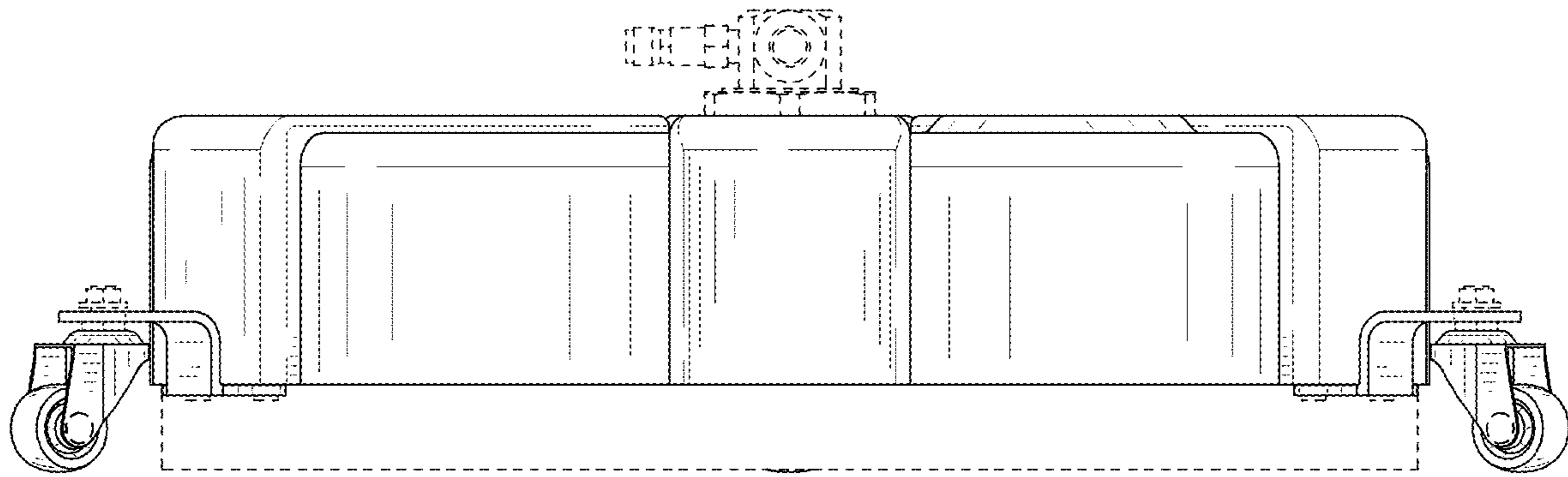


FIG. 6

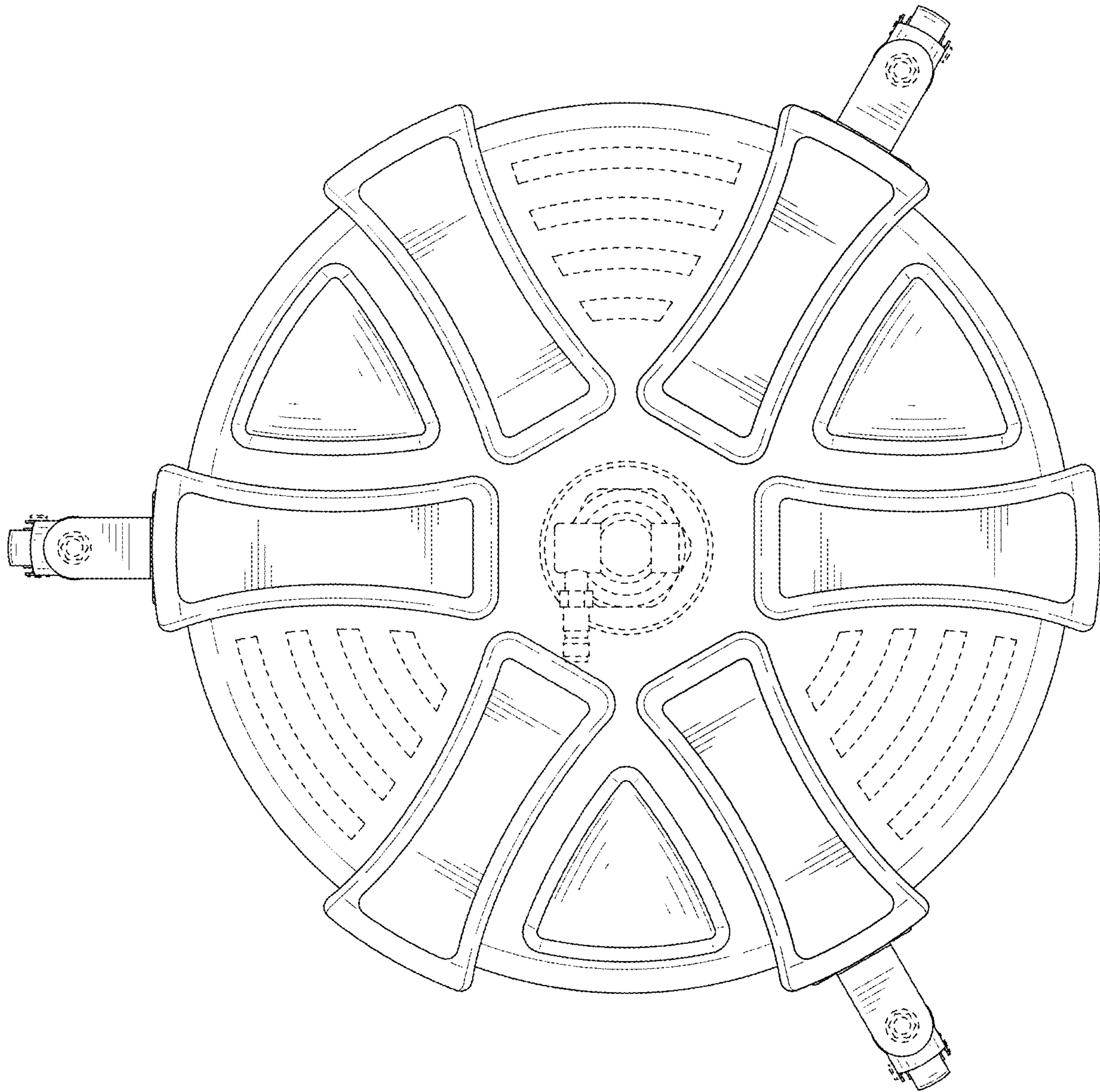


FIG. 7

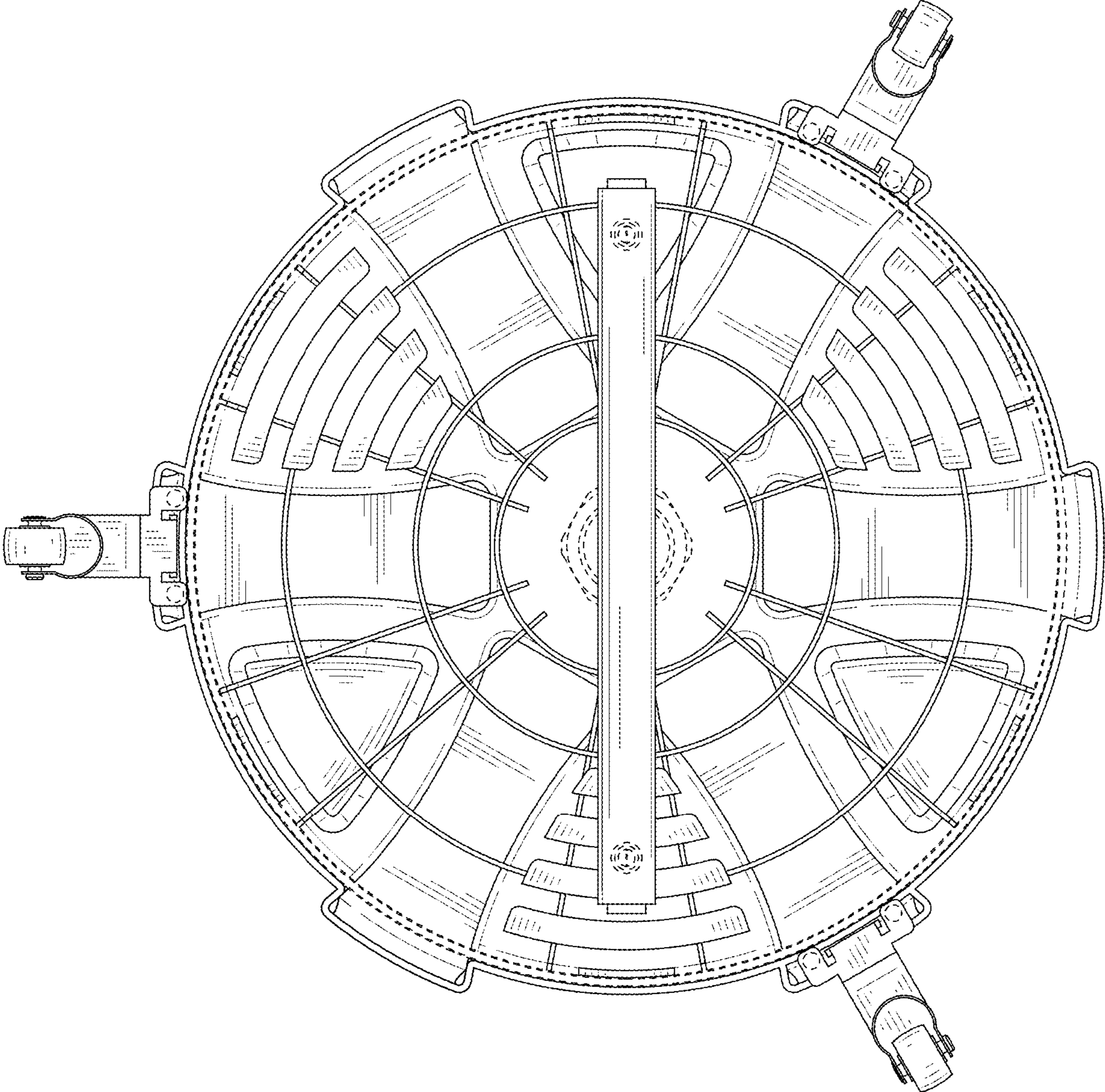


FIG. 8