

US00D946221S

(12) **United States Design Patent**
Ma

(10) **Patent No.:** **US D946,221 S**
(45) **Date of Patent:** **** Mar. 15, 2022**

(54) **VACUUM CLEANER**

(71) Applicant: **Shenzhen Shermon Technology Co., Limited**, Shenzhen (CN)

(72) Inventor: **Chaoliang Ma**, Shenzhen (CN)

(73) Assignee: **SHENZHEN SHERMON TECHNOLOGY CO., LIMITED**, Shenzhen (CN)

(**) Term: **15 Years**

(21) Appl. No.: **29/772,600**

(22) Filed: **Mar. 3, 2021**

(30) **Foreign Application Priority Data**

Feb. 8, 2021 (CN) 202130095081.9

(51) **LOC (13) Cl.** **15-05**

(52) **U.S. Cl.**
USPC **D32/22; D32/18**

(58) **Field of Classification Search**
USPC D32/17, 18, 21, 22, 31; D21/526
CPC A47L 5/24; A47L 5/28; A47L 5/30; A47L 5/34; A47L 5/36; A47L 9/04; A47L 9/102; A47L 9/106; A47L 11/30; A47L 11/302;

(Continued)

(56) **References Cited**

U.S. PATENT DOCUMENTS

D290,894 S * 7/1987 Miyamoto D32/18
D668,010 S * 9/2012 Stickney D32/18

(Continued)

FOREIGN PATENT DOCUMENTS

IN 314297-001-0001 * 11/2019
JP D1655534 * 3/2020
KR 301031451.0000 * 11/2019

OTHER PUBLICATIONS

Cordless Vacuum, available in Amazon.com, customer review oldest date Jan. 3, 2021 [online], [site visited Jun. 15, 2021], Available from the internet URL: https://www.amazon.com/dp/B08KW7K1WB/ref=cm_sw_r_em_apc_glc_fabc_SR1MY0D10TQT9K5ZH68D (Year: 2021).*

(Continued)

Primary Examiner — Dana K Weiland
Assistant Examiner — Jennylou M Binas

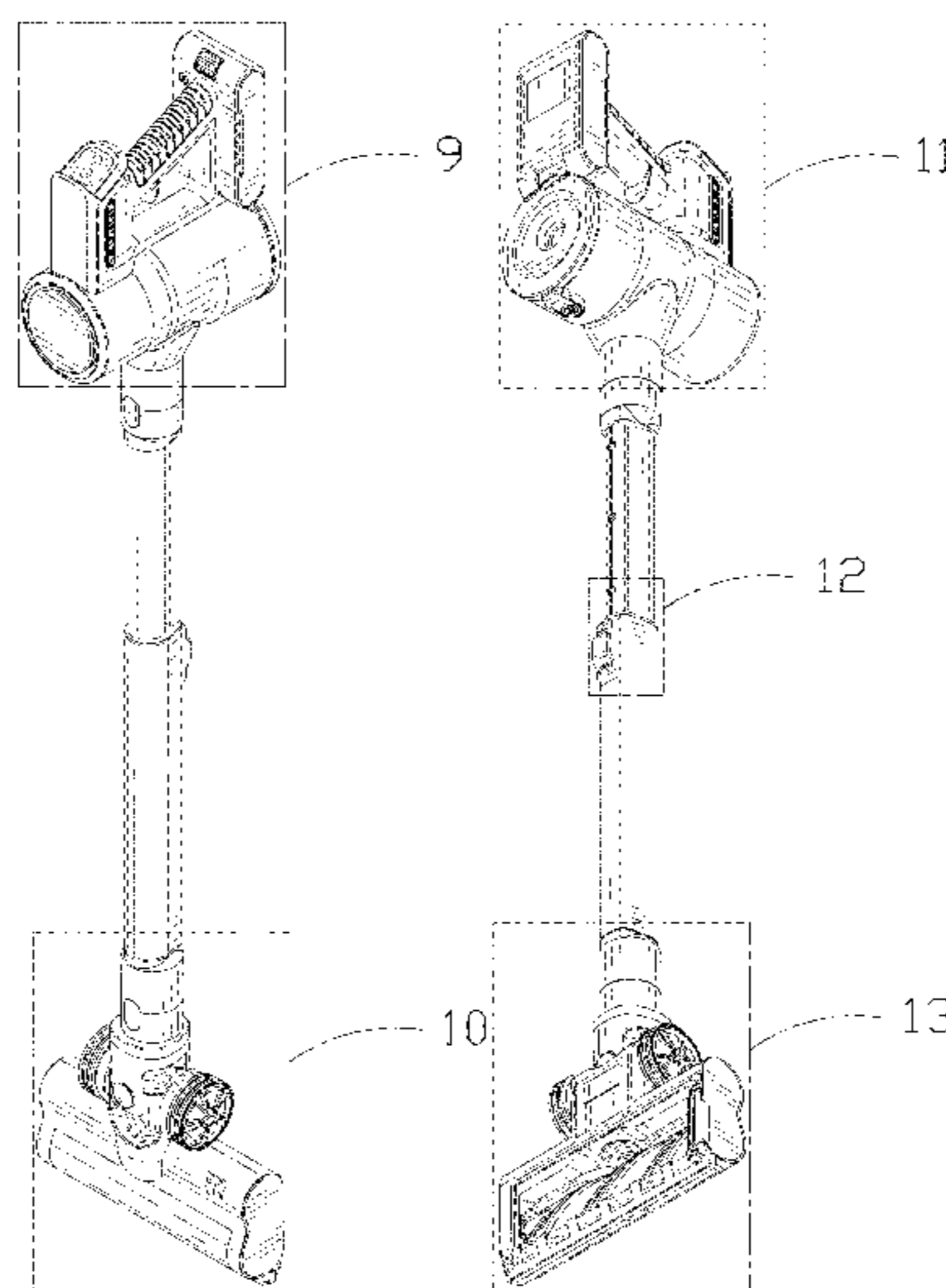
(57) **CLAIM**

The ornamental design for a vacuum cleaner, as shown and described.

DESCRIPTION

FIG. 1 is a perspective view of a vacuum cleaner showing my new design;
FIG. 2 is another perspective view thereof;
FIG. 3 is a front elevational view thereof;
FIG. 4 is a rear elevational view thereof;
FIG. 5 is a left side elevational view thereof;
FIG. 6 is a right side elevational view thereof;
FIG. 7 is a top plan view thereof;
FIG. 8 is a bottom plan view thereof;
FIG. 9 is an enlarged view of the vacuum cleaner shown within the area designated as 9 in FIG. 1;
FIG. 10 is an enlarged view of the vacuum cleaner shown within the area designated as 10 in FIG. 1;
FIG. 11 is an enlarged view of the vacuum cleaner shown within the area designated as 11 in FIG. 2;
FIG. 12 is an enlarged view of the vacuum cleaner shown within the area designated as 12 in FIG. 2; and,
FIG. 13 is an enlarged view of the vacuum cleaner shown within the area designated as 13 in FIG. 2.
The broken lines in the drawings are for the purpose of illustrating portions of the vacuum cleaner that form no part of the claimed design. The dot-dashed broken line in FIGS. 9-13 shows the boundary of the enlarged view and forms no part of the claimed design.

1 Claim, 13 Drawing Sheets



(58) **Field of Classification Search**

CPC A47L 11/4005; A47L 11/4008; A47L
11/4044; B04C 5/185; B23Q 11/0046;
B23Q 11/0071; E04H 4/1636
See application file for complete search history.

(56) **References Cited**

U.S. PATENT DOCUMENTS

D731,130 S * 6/2015 Dyson D32/18
D731,133 S * 6/2015 Dyson D32/31
D738,584 S * 9/2015 Niedzwecki D32/22
D771,890 S * 11/2016 Kim D32/34
9,675,218 B2 * 6/2017 Kim A47L 9/0054
D798,009 S * 9/2017 Salagnac D32/22
D799,767 S * 10/2017 Palladino D32/22
D800,980 S * 10/2017 Carter D32/21
D814,723 S * 4/2018 Palladino D32/31
D819,282 S * 5/2018 Kim D32/22
D821,667 S * 6/2018 Nam D32/18
D824,616 S * 7/2018 Ward D32/22
D826,493 S * 8/2018 Nam D32/18
D827,955 S * 9/2018 Palladino D32/18
D830,016 S * 10/2018 Lim D32/22
D830,017 S * 10/2018 Nam D32/22
D844,912 S * 4/2019 Gammack D32/18
D861,268 S * 9/2019 Meyer D32/22
D862,011 S * 10/2019 Kim D32/22
D868,400 S * 11/2019 Niedzwecki D32/18
D870,995 S * 12/2019 Burgess et al.
D871,695 S * 12/2019 Niedzwecki D32/22
D887,657 S * 6/2020 Palladino D32/22
D902,510 S * 11/2020 Knight Adams D32/22
D905,360 S * 12/2020 Ma D32/22
D905,919 S * 12/2020 Niedzwecki D32/34
D908,990 S * 1/2021 Chen D32/22

D912,344 S * 3/2021 Choi D32/22
D915,697 S * 4/2021 Kim B01D 46/0023
D32/18
D920,609 S * 5/2021 Ma D32/21
D922,010 S * 6/2021 Lin D32/18
D927,103 S * 8/2021 Zou D32/18
D927,109 S * 8/2021 Chei D32/22
D927,110 S * 8/2021 Ma D32/22
D927,803 S * 8/2021 Zou D32/18
D929,685 S * 8/2021 Choi D32/18
D929,686 S * 8/2021 Uim D32/18
D930,296 S * 9/2021 Song D32/18
D932,124 S * 9/2021 Lin D32/22
D933,320 S * 10/2021 Bloemendaal D32/22
D935,713 S * 11/2021 Ma D32/22
D936,311 S * 11/2021 Liu D32/18
2019/0208974 A1 * 7/2019 Oka A47L 9/246
2020/0214523 A1 * 7/2020 Kim A47L 5/24
2020/0297177 A1 * 9/2020 Zhu A47L 9/28

OTHER PUBLICATIONS

Dreame T20 Cordless Vacuum Cleaner, available in Amazon.ae date first available Jan. 1, 2021 [online], [site visited Jun. 15, 2021], Available from the internet URL: https://www.amazon.ae/dp/B08HKSVMHVS/ref=cm_sw_em_r_mt_imm_awdb_M3PKN5VVR4EFWKXDC13T (Year: 2021).*

Evereze Cordless Vacuum Cleaner Stick Vacuum Cleaner, available in Amazon.ca, date first available Dec. 14, 2020 [online], [site visited Jun. 15, 2021], Available from the internet URL: https://www.amazon.ca/Evereze-Cordless-Powerful-Lightweight-Rechargeable/dp/B08JVJGLZ5/ref=sr_1_5?dchild=1&keywords=evereze+cordless+vacuum+cleaner&qid=1623772980&sr=8-5 (Year: 2020).*

* cited by examiner

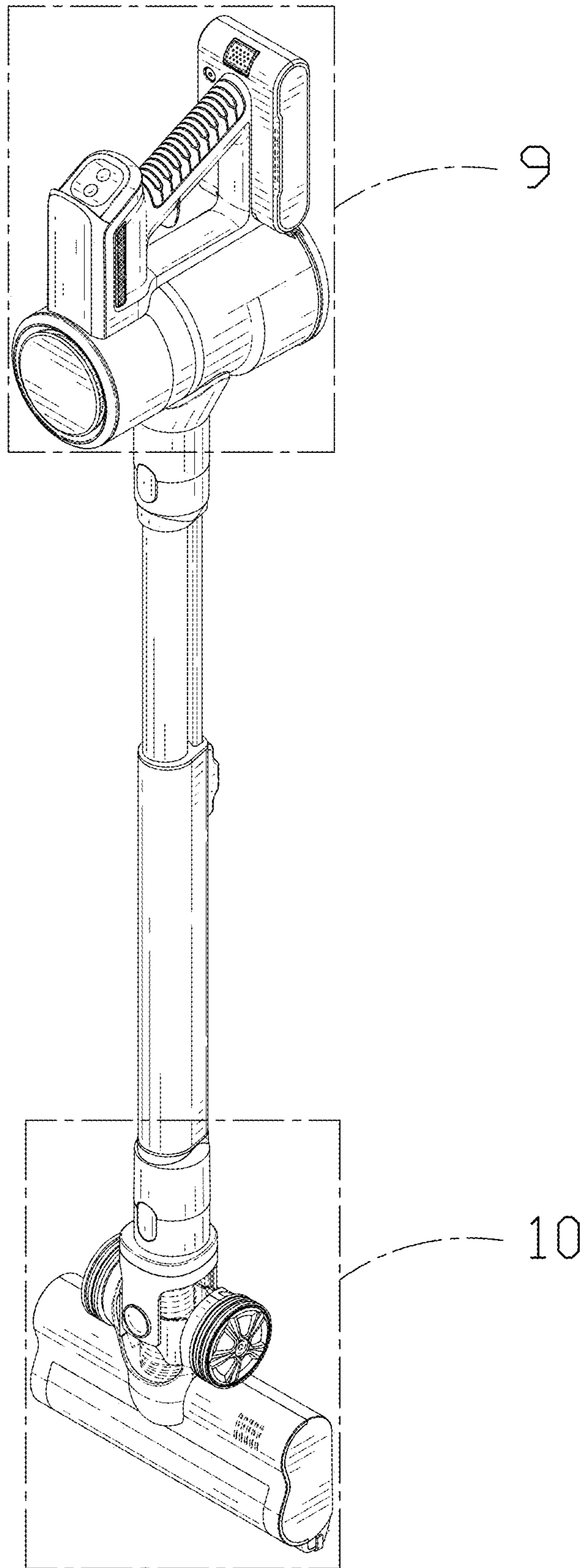


FIG. 1

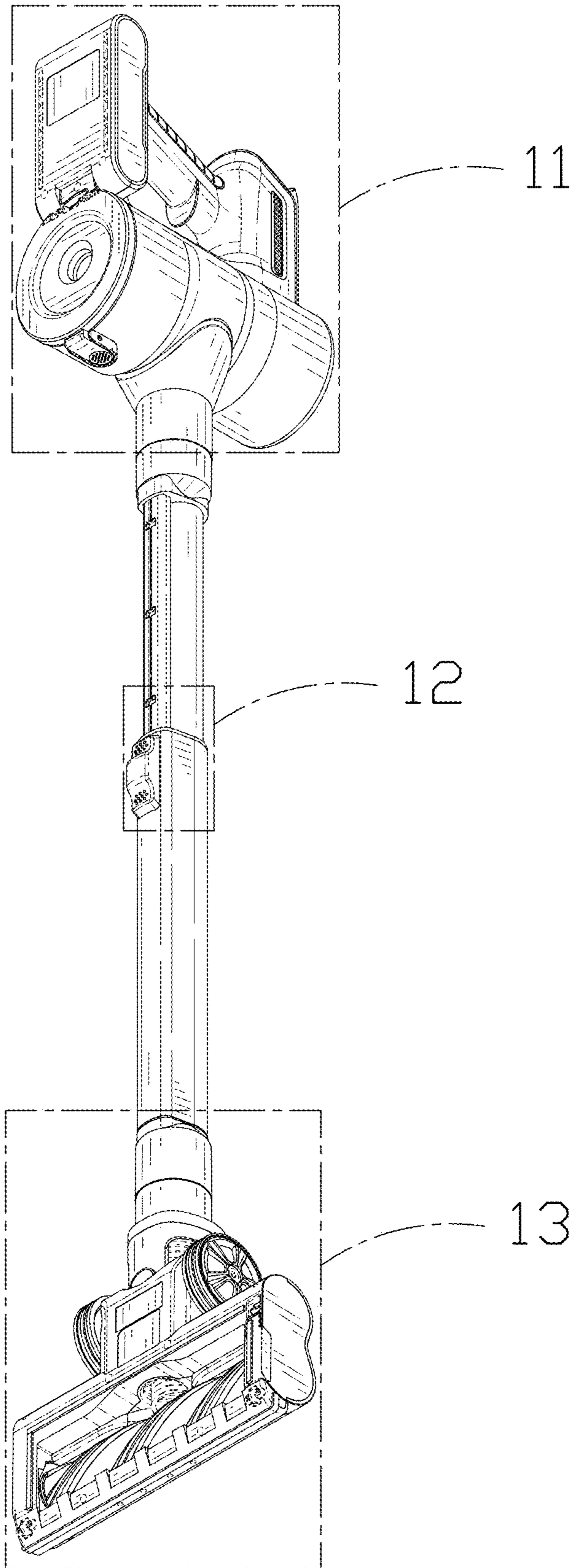


FIG. 2

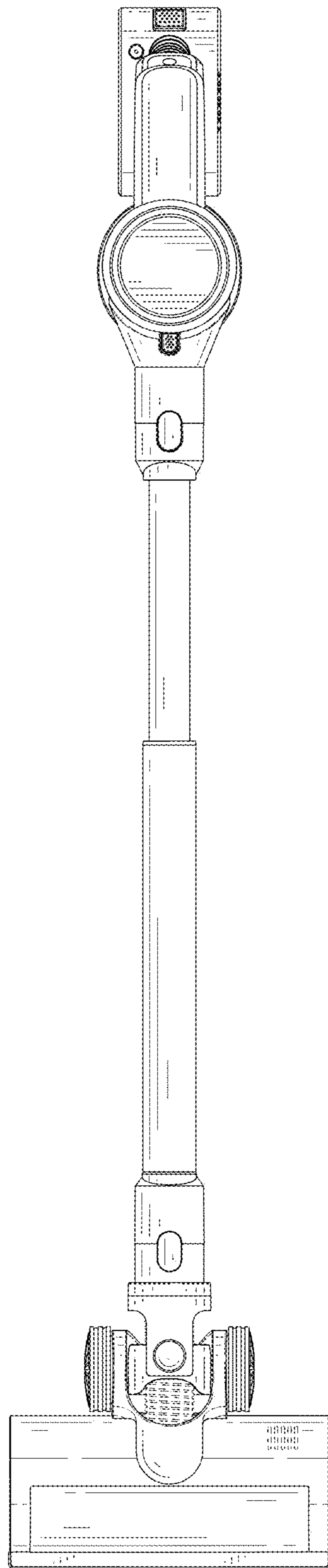


FIG. 3

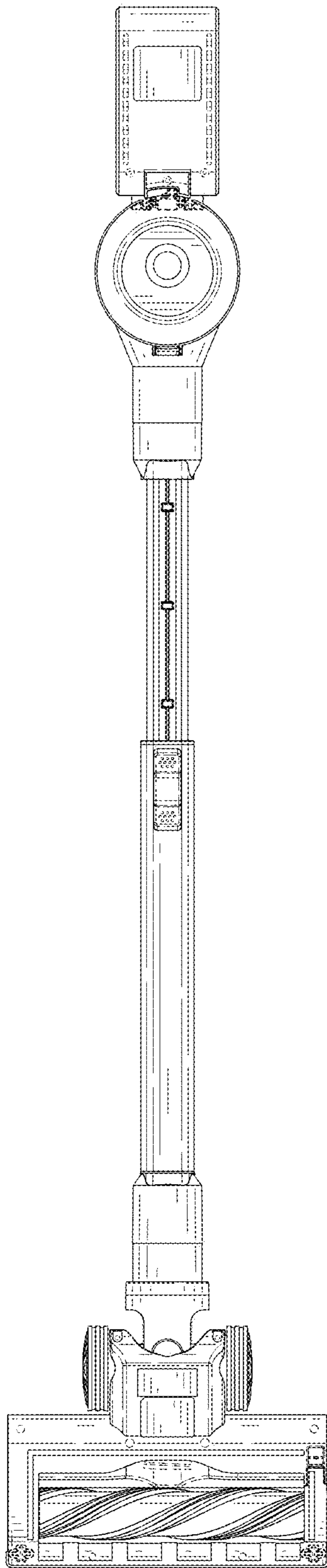


FIG. 4

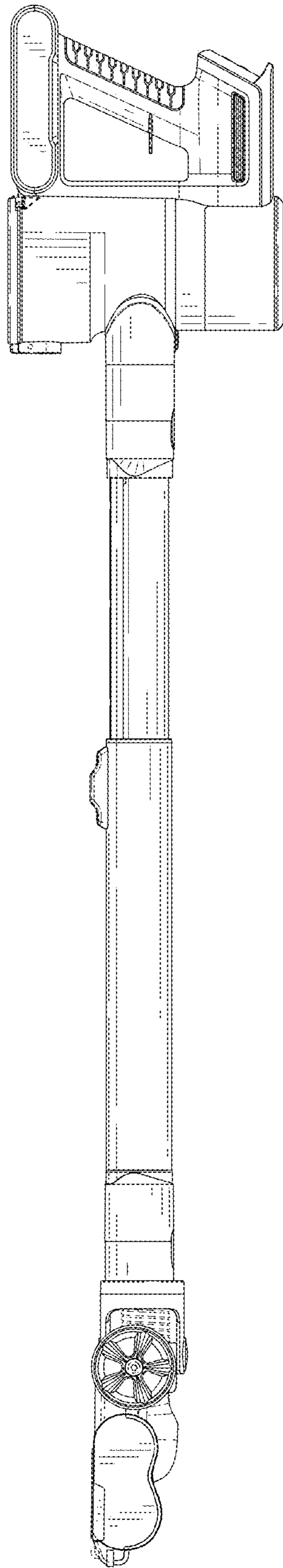


FIG. 5

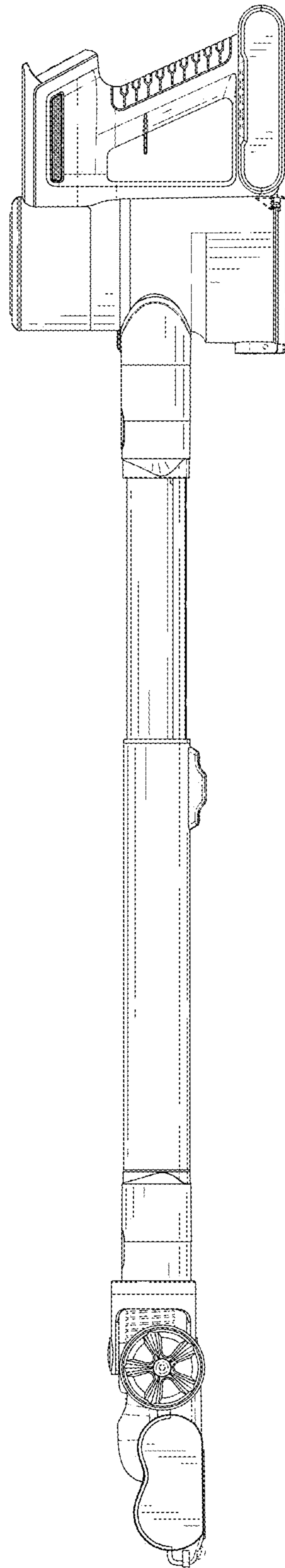


FIG. 6

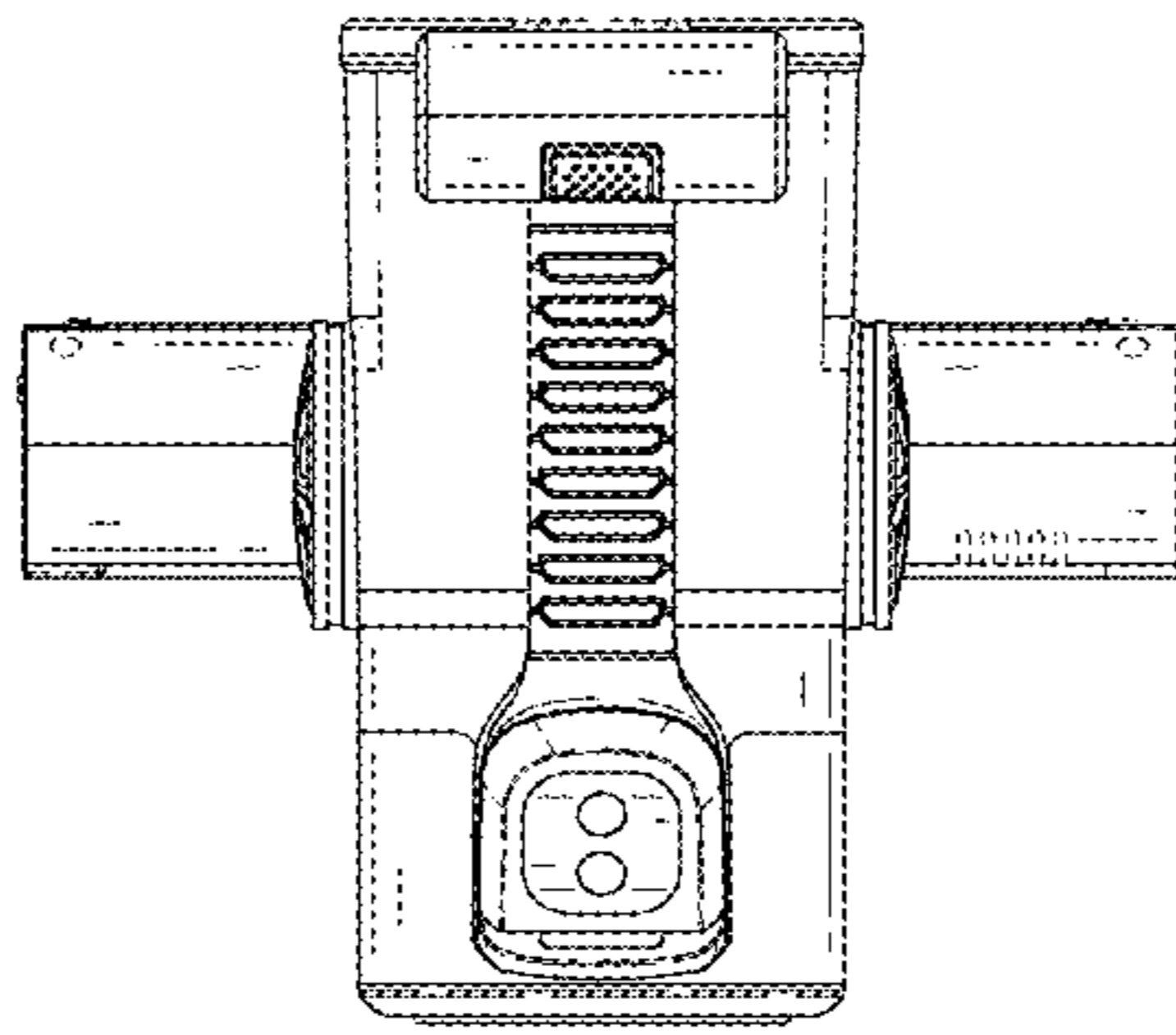


FIG. 7

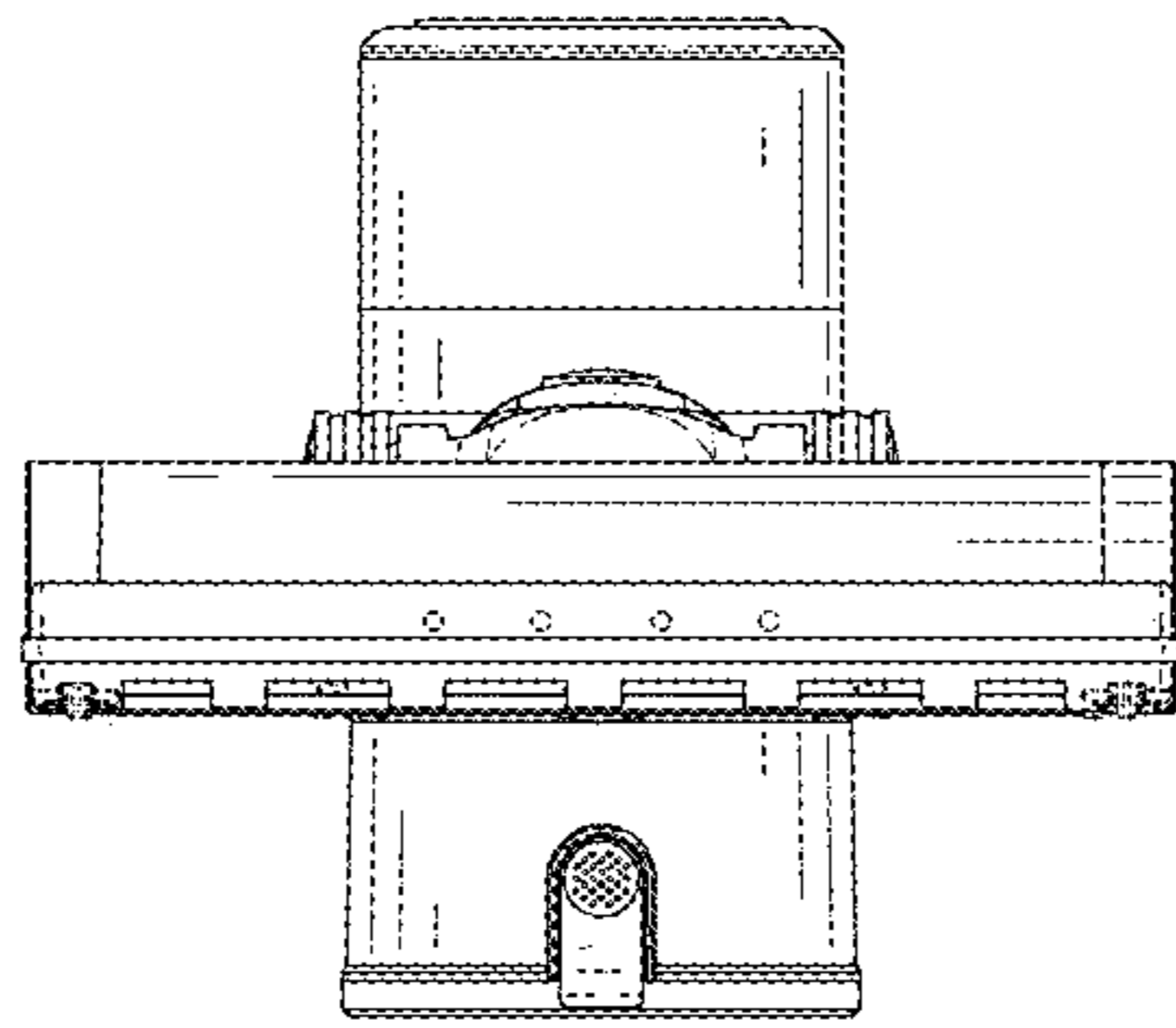


FIG. 8

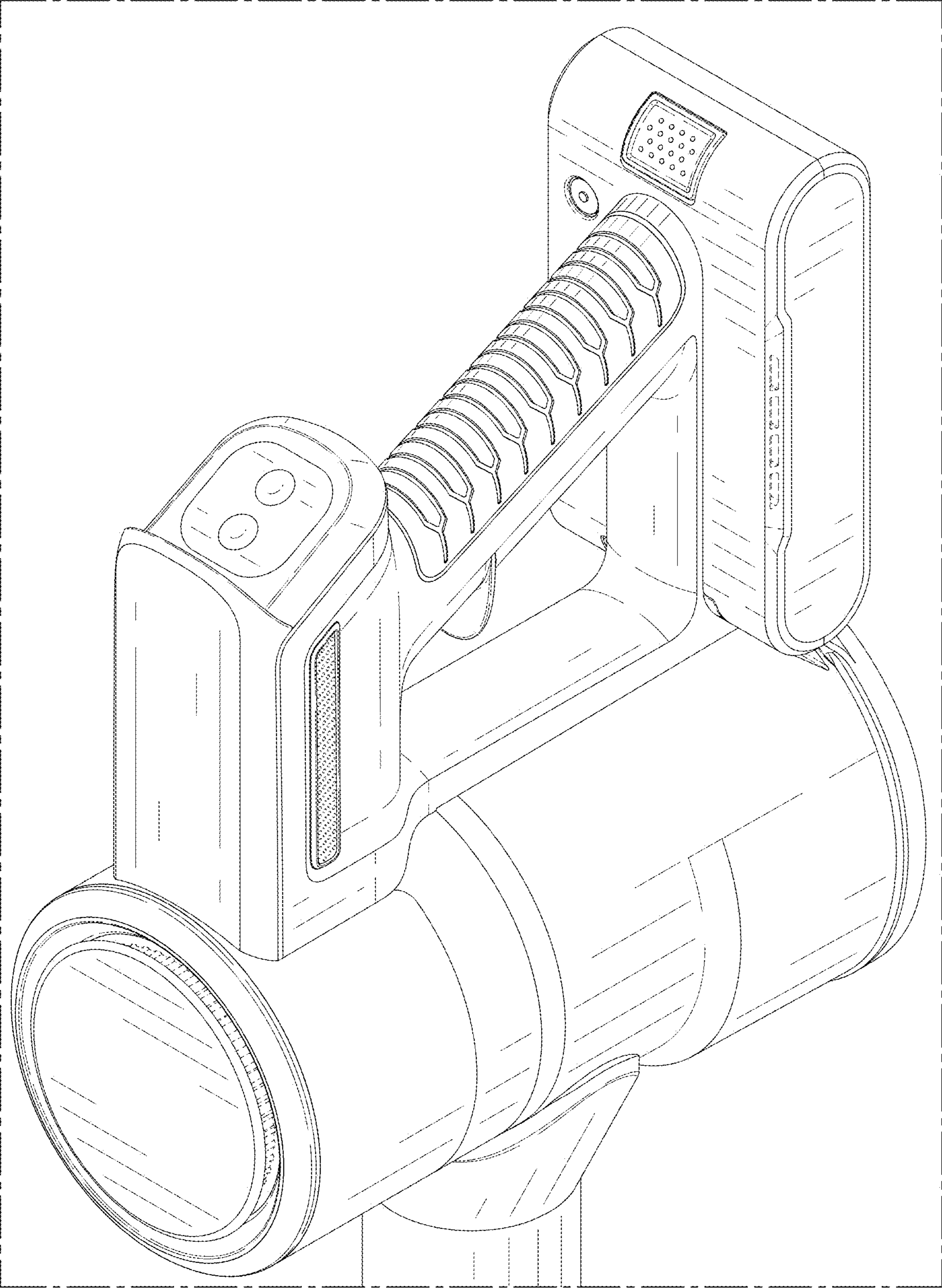


FIG. 9

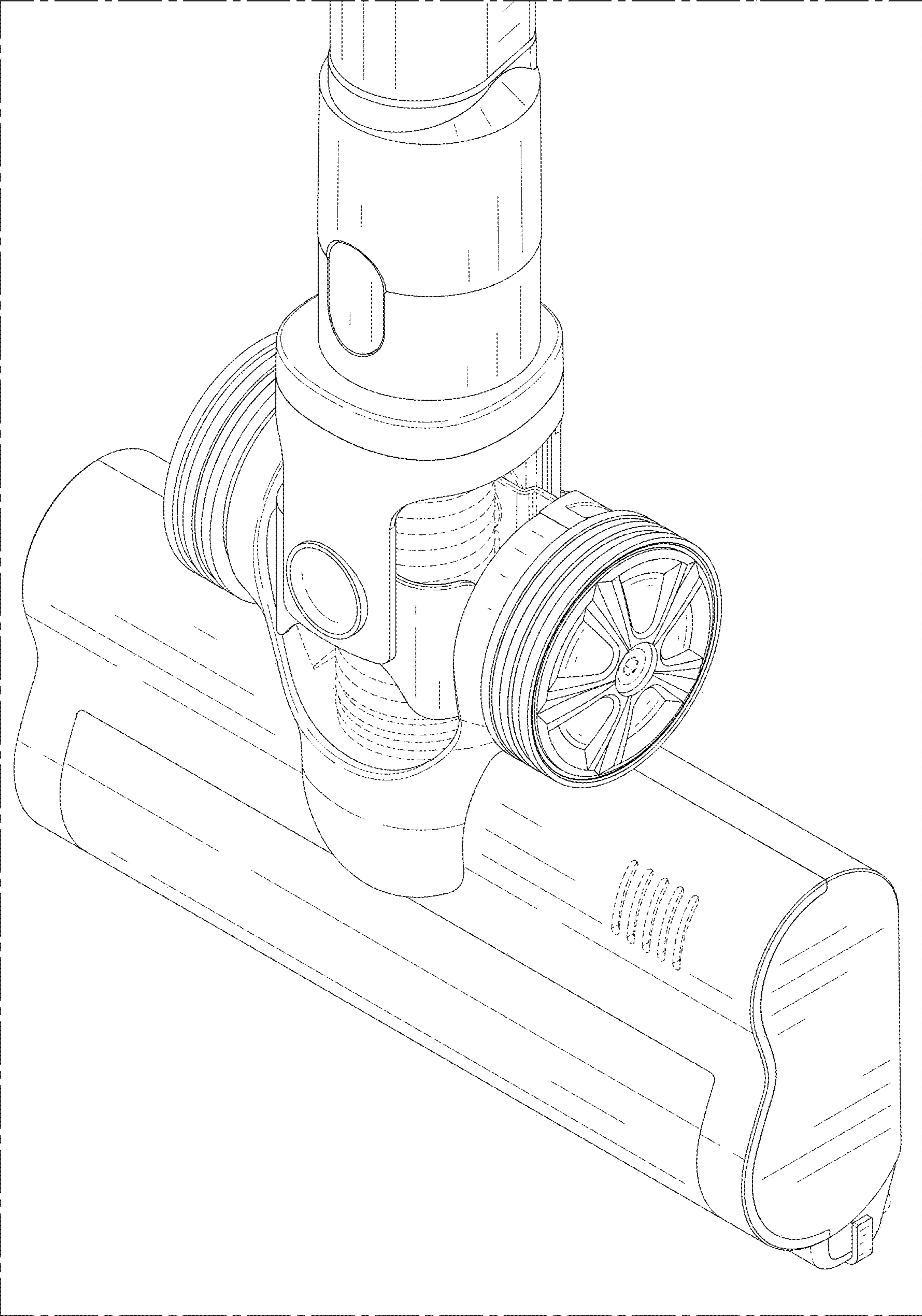


FIG. 10

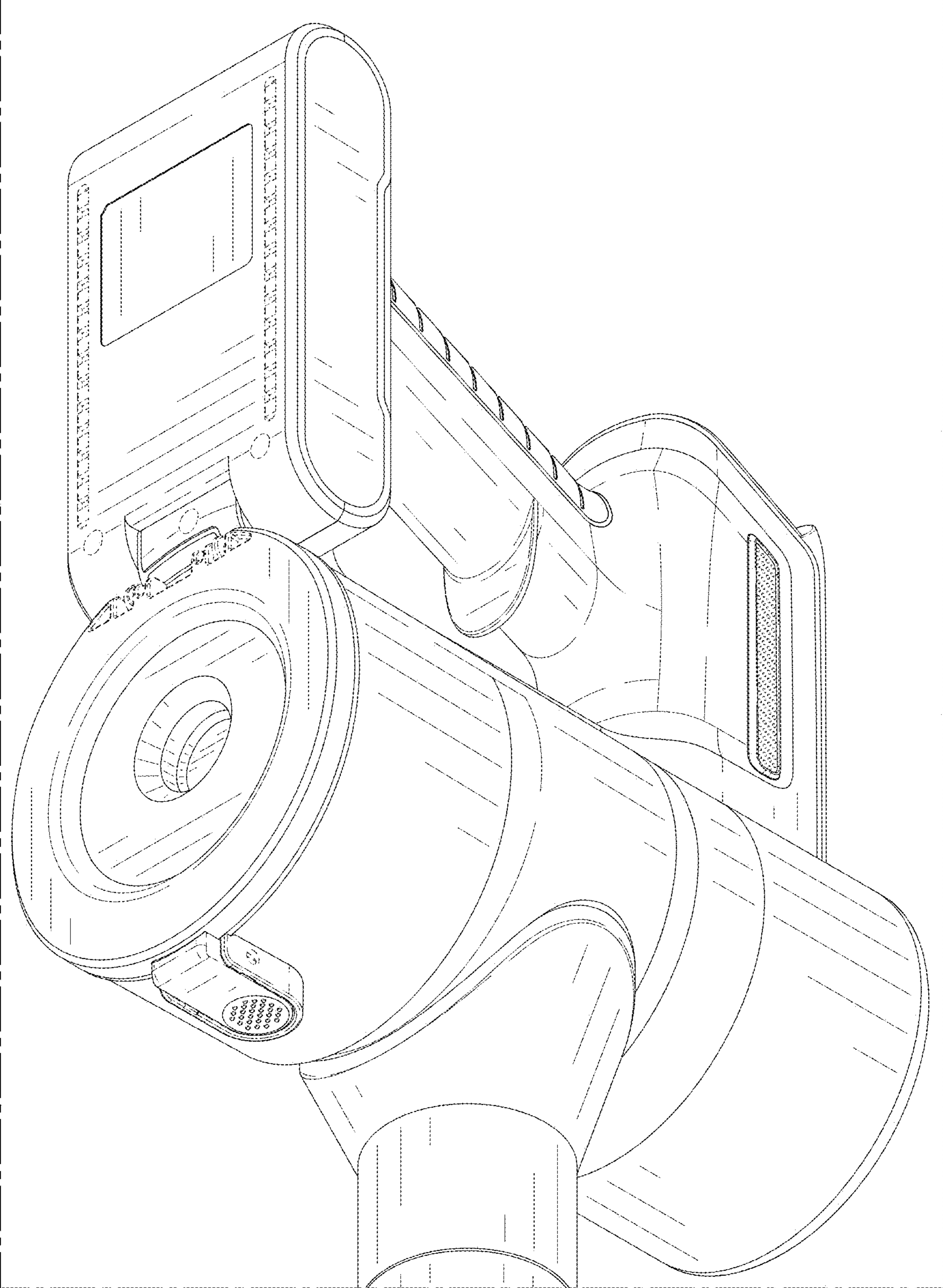


FIG. 11

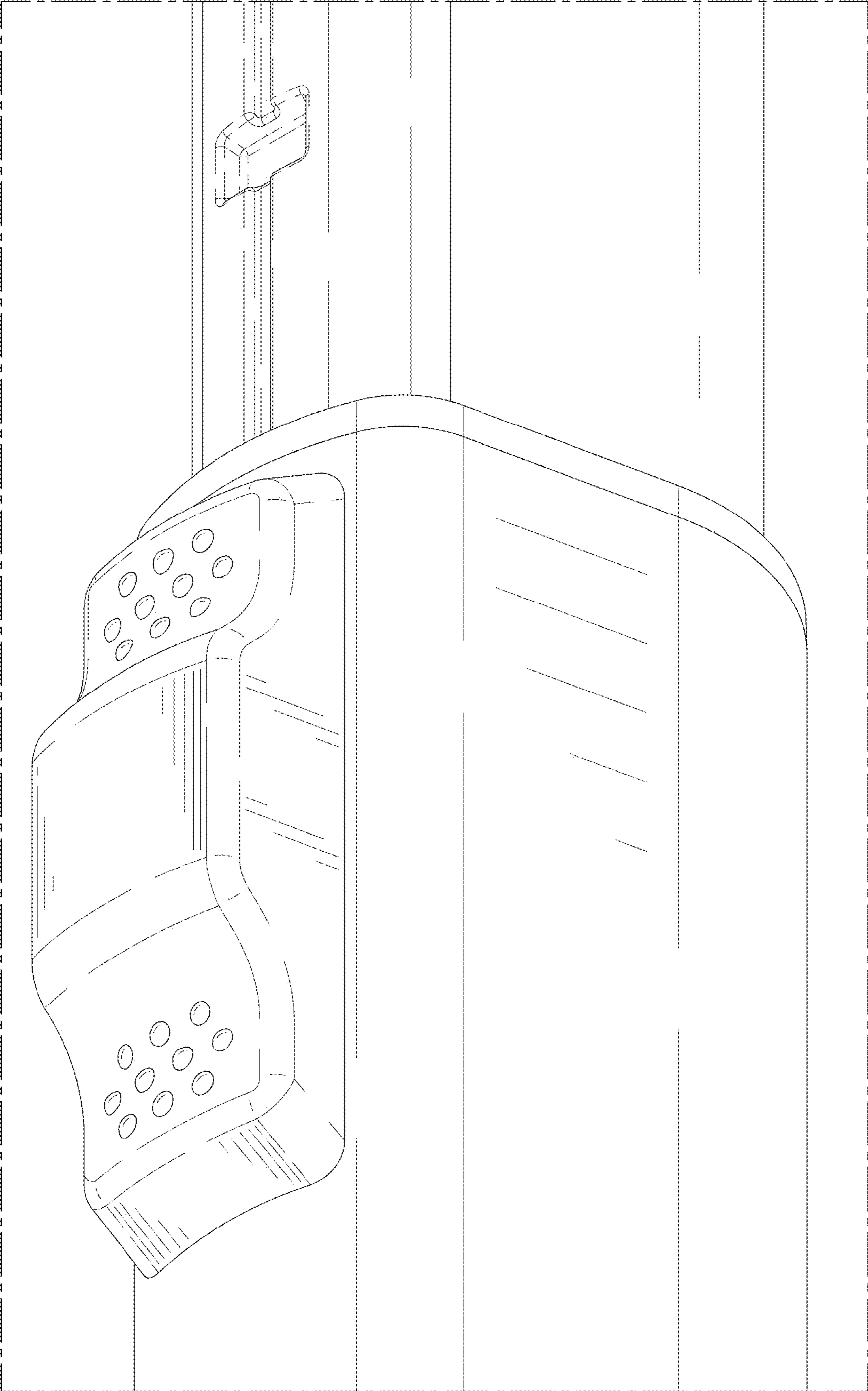


FIG. 12

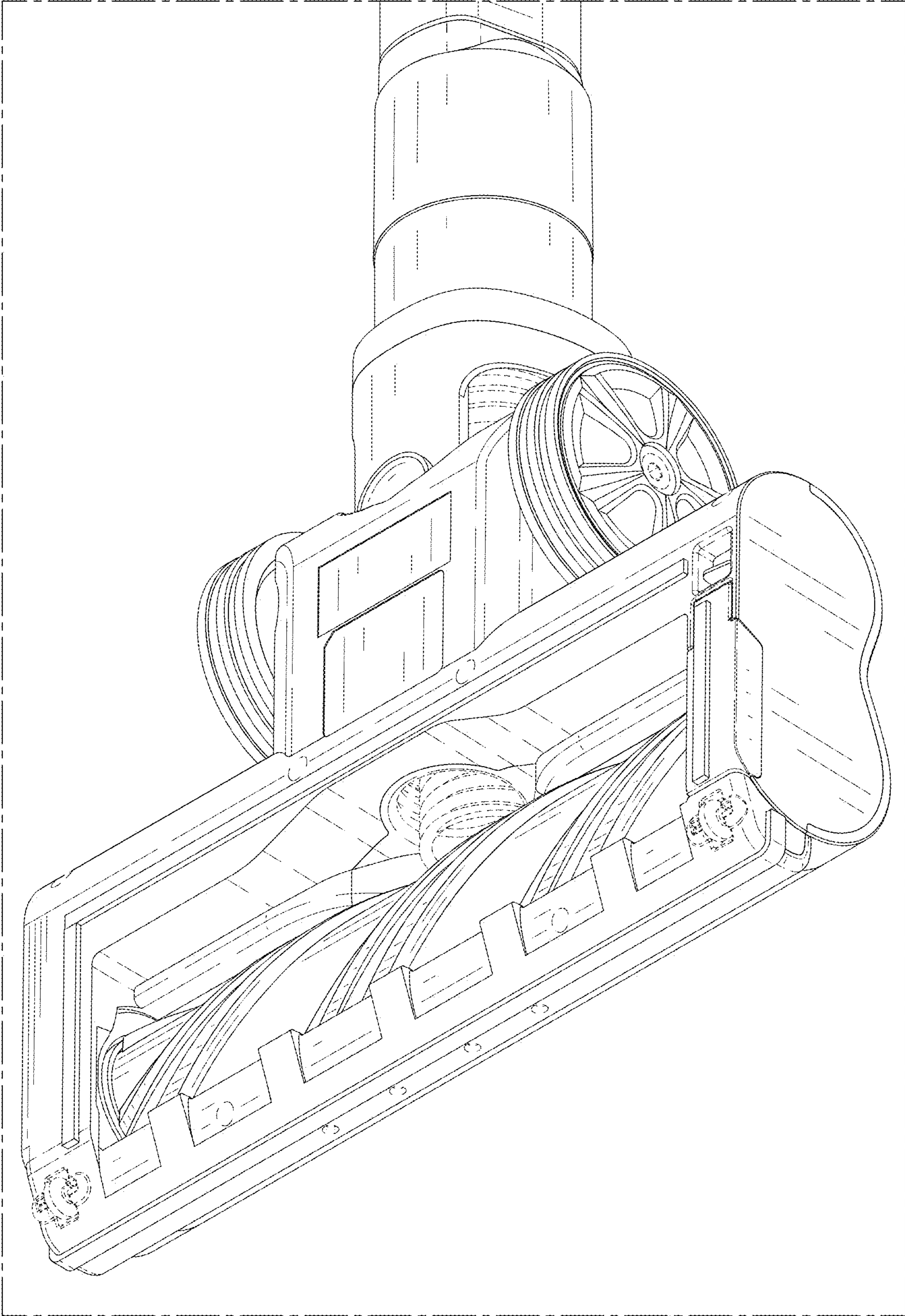


FIG. 13