



US00D946220S

(12) **United States Design Patent**
Shrader et al.

(10) **Patent No.:** **US D946,220 S**
(45) **Date of Patent:** **** Mar. 15, 2022**

(54) **FLOOR CLEANER**

- (71) Applicant: **Techtronic Cordless GP**, Anderson, SC (US)
- (72) Inventors: **Benjamin Shrader**, Newton, NC (US);
Joseph Sexton, Charlotte, NC (US);
Shuang Lin, Charlotte, NC (US);
Steven Martise, Gahanna, OH (US);
Matthew Barnum, Columbus, OH (US)
- (73) Assignee: **Techtronic Cordless GP**, Anderson, SC (US)

(**) Term: **15 Years**

(21) Appl. No.: **29/756,233**

(22) Filed: **Oct. 27, 2020**

(51) **LOC (13) Cl.** **15-05**

(52) **U.S. Cl.**
USPC **D32/22**

(58) **Field of Classification Search**
USPC D32/17, 18, 21, 22, 23, 24, 31; D21/526
CPC A46B 9/06; A47L 5/24; A47L 5/28; A47L
5/30; A47L 5/34; A47L 7/0004; A47L
9/04; A47L 9/325; A47L 9/1683; A47L
11/302; A47L 11/34; A47L 11/4005;
A47L 11/4008; A47L 11/4016; A47L
11/4041;

(Continued)

(56) **References Cited**

U.S. PATENT DOCUMENTS

- D440,018 S * 4/2001 Oh D32/22
- D462,813 S * 9/2002 Nakano D32/22

(Continued)

FOREIGN PATENT DOCUMENTS

- CA 177906 * 11/2017
- CN 306210688 * 12/2020
- JP D1530912 * 8/2015

OTHER PUBLICATIONS

Bisell Aerosift Compact Vacuum, available in Amazon.com, customer review oldest date Oct. 16, 2019 [online], [site visited Apr. 20, 2021], Available from the internet URL: https://www.amazon.com/dp/B07TFYMW6/ref=sbl_dp_x_B07F6N3RT6_0?th=1 (Year: 2019).*

(Continued)

Primary Examiner — Dana K Weiland

Assistant Examiner — Jennylou M Binas

(74) *Attorney, Agent, or Firm* — Michael Best & Friedrich LLP

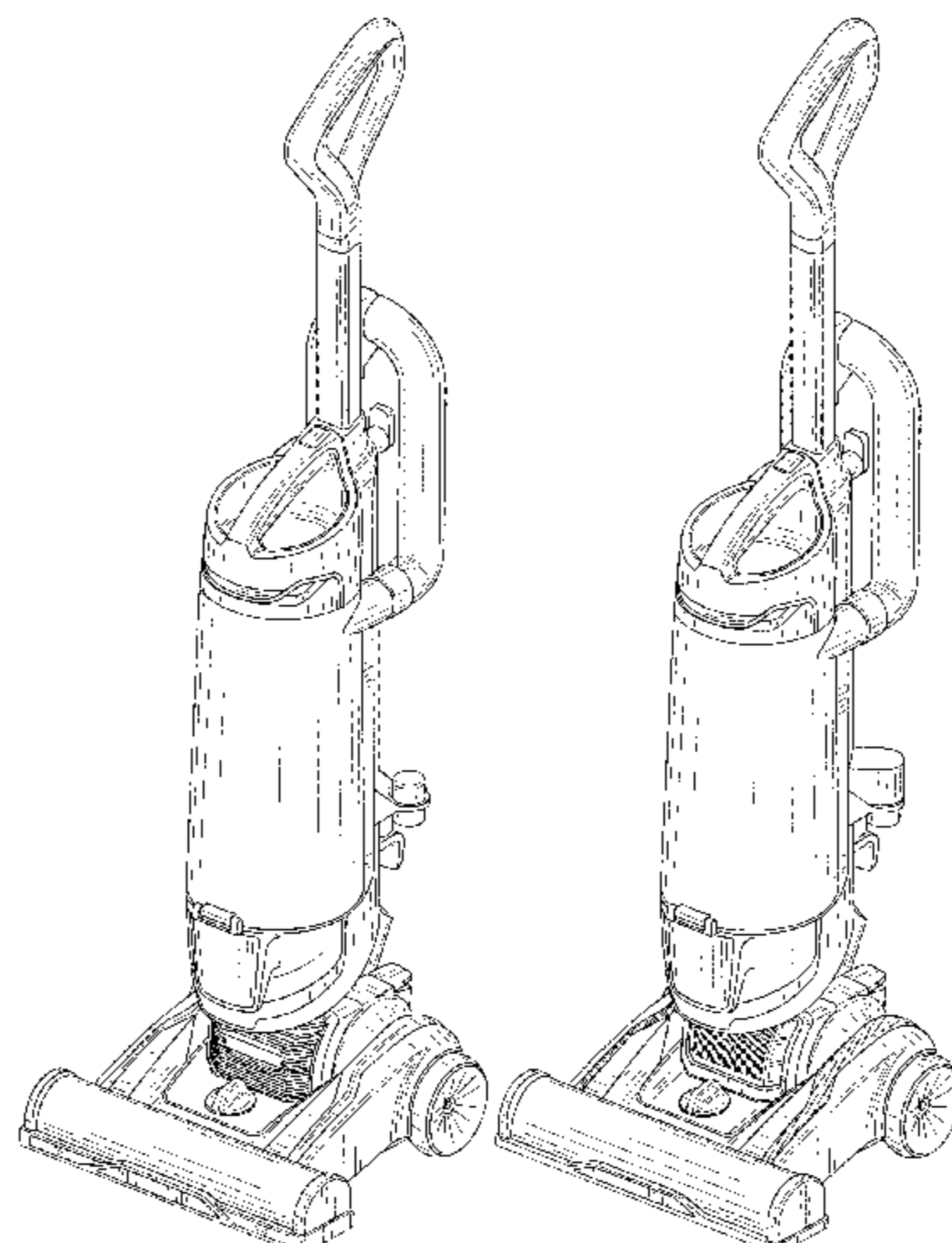
(57) **CLAIM**

We claim the ornamental design for a floor cleaner, as shown and described.

DESCRIPTION

FIG. 1 is a perspective view of a floor cleaner showing our new design according to a first embodiment.
 FIG. 2 is a front view of the floor cleaner of FIG. 1.
 FIG. 3 is a back view of the floor cleaner of FIG. 1.
 FIG. 4 is a right side view of the floor cleaner of FIG. 1.
 FIG. 5 is a left side view of the floor cleaner of FIG. 1.
 FIG. 6 is top view of the floor cleaner of FIG. 1.
 FIG. 7 is a bottom view of the floor cleaner of FIG. 1.
 FIG. 8 is a perspective view of the floor cleaner according to a second embodiment.
 FIG. 9 is a front view of the floor cleaner of FIG. 8.
 FIG. 10 is a back view of the floor cleaner of FIG. 8.
 FIG. 11 is a right side view of the floor cleaner of FIG. 8.
 FIG. 12 is a left side view of the floor cleaner of FIG. 8.
 FIG. 13 is top view of the floor cleaner of FIG. 8; and,
 FIG. 14 is a bottom view of the floor cleaner of FIG. 8.
 The elements shown in broken lines are included for the purpose of showing portions of the floor cleaner that form no part of the claimed design.

1 Claim, 14 Drawing Sheets



(58) **Field of Classification Search**

CPC A47L 11/4044; A47L 11/4088; A47L
13/225; B04C 5/185; B08B 3/04; B23Q
11/0046; B23Q 11/0071; E04H 4/1636
See application file for complete search history.

(56) **References Cited**

U.S. PATENT DOCUMENTS

D487,323	S	*	3/2004	Leyden	D32/22
D532,944	S	*	11/2006	Choi	D32/22
D533,697	S	*	12/2006	Ikeno	D32/22
D537,584	S	*	2/2007	Greene	D32/22
D610,318	S	*	2/2010	Shin	D32/22
D633,264	S	*	2/2011	Lee	D32/22
D666,368	S	*	8/2012	Ghim	D32/22
D768,944	S	*	10/2016	Zhang	D32/22
D783,912	S	*	4/2017	Shin	D32/22
D789,626	S	*	6/2017	Bloemendaal	D32/22
D794,880	S	*	8/2017	Zhou	D32/22
D824,615	S	*	7/2018	Bloemendaal	D32/22
D836,863	S	*	12/2018	Theising	D32/22
D838,068	S	*	1/2019	Bond	D32/31
D844,267	S	*	3/2019	Zhou	D32/22
D870,995	S	*	12/2019	Burgess	D32/22
D874,762	S	*	2/2020	Tang	D32/22
D875,335	S	*	2/2020	Sagkob	D32/22
D876,036	S	*	2/2020	Irfan	D32/22
D876,037	S	*	2/2020	McRorie	D32/22
D877,430	S	*	3/2020	Hooley	D32/22
D924,504	S	*	7/2021	Knapp	D32/21
D924,505	S	*	7/2021	Knapp	D32/21
D924,509	S	*	7/2021	Niedzwecki	D32/22
D926,401	S	*	7/2021	Knapp	D32/22
D928,432	S	*	8/2021	Knapp	D32/22

D928,433	S	*	8/2021	Knapp	D32/22
D928,435	S	*	8/2021	Knapp	D32/22
D929,053	S	*	8/2021	Dong	D32/22
D930,926	S	*	9/2021	Wroblewski	D32/22
2016/0113462	A1	*	4/2016	Khalil	A47L 9/1658 15/353
2017/0135540	A1	*	5/2017	Newsom	A47L 9/04
2017/0172366	A1	*	6/2017	Rukavina	A47L 9/122
2021/0161349	A1	*	6/2021	Davila	A47L 11/201
2021/0186286	A1	*	6/2021	Materdo	A47L 9/1666
2021/0186292	A1	*	6/2021	Davila	A47L 11/4088
2021/0204780	A1	*	7/2021	Pohlman	A47L 11/03
2021/0219806	A1	*	7/2021	Davila	A47L 11/4083
2021/0282611	A1	*	9/2021	Paulla	A47L 9/1683

OTHER PUBLICATIONS

Bissell Cleanview Swivel Pet Vacuum Cleaner, available in Amazon.com, customer review oldest date Sep. 24, 2018 [online], [site visited Jan. 12, 2021], Available from the internet URL: https://www.amazon.com/BISSELL-Cleanview-Upright-Bagless-2252/dp/B07F6N3RT6/ref=cm_cr_ar_p_d_product_top?ie=UTF8 (Year: 2018).*

Bissell Cleanview Swivel Rewind Pet Vacuum Cleaner, available in Amazon.com, customer review oldest date Oct. 5, 2018 [online], [site visited Jan. 12, 2021], Available from the internet URL: https://www.amazon.com/BISSELL-Cleanview-Upright-Bagless-Cleaner/dp/B07FJ4N2S7/ref=psdc_510110_t3_B07F6N3RT6?th=1 (Year: 2018).*

Eureka NEU182B, available in Amazon.com, customer review oldest date Feb. 4, 2020 [online], [site visited Jan. 12, 2021], Available from the internet URL: https://www.amazon.com/Eureka-PowerSpeed-Bagless-Upright-Cleaner/dp/B083C2DTKX/ref=cm_cr_ar_p_d_product_top?ie=UTF8&th=1 (Year: 2020).*

* cited by examiner

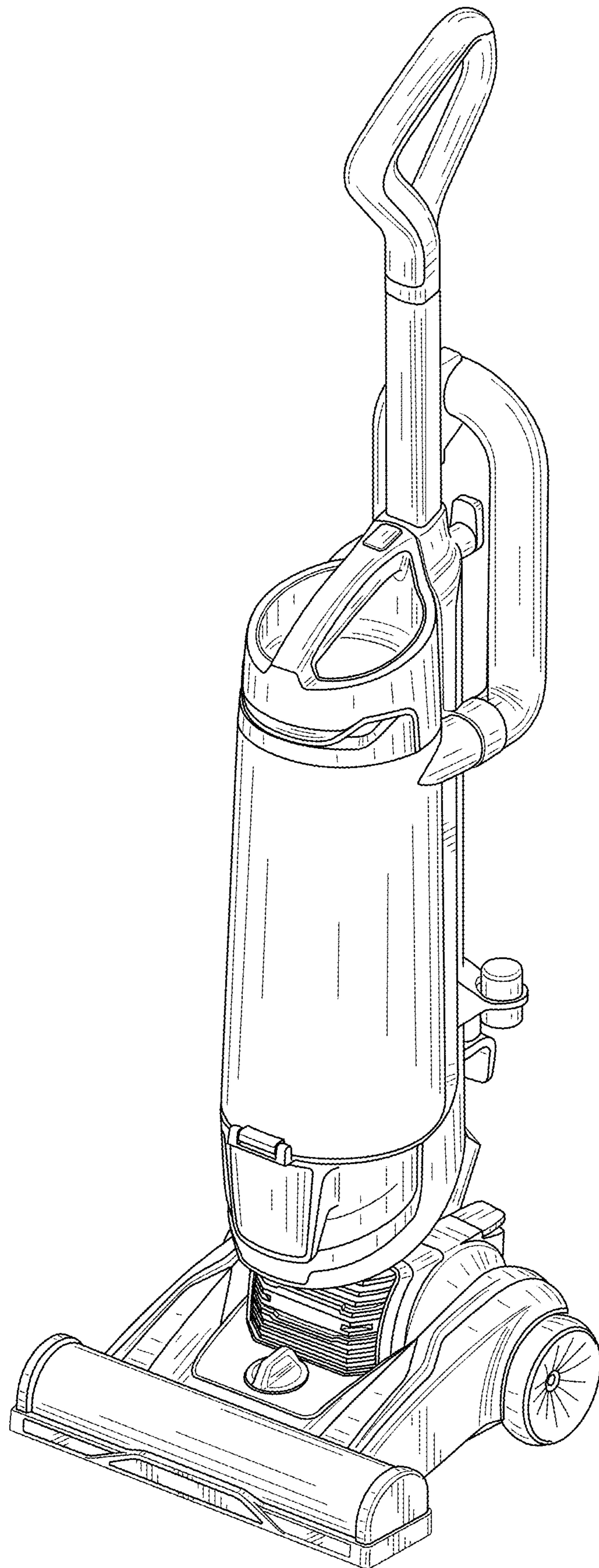


FIG. 1

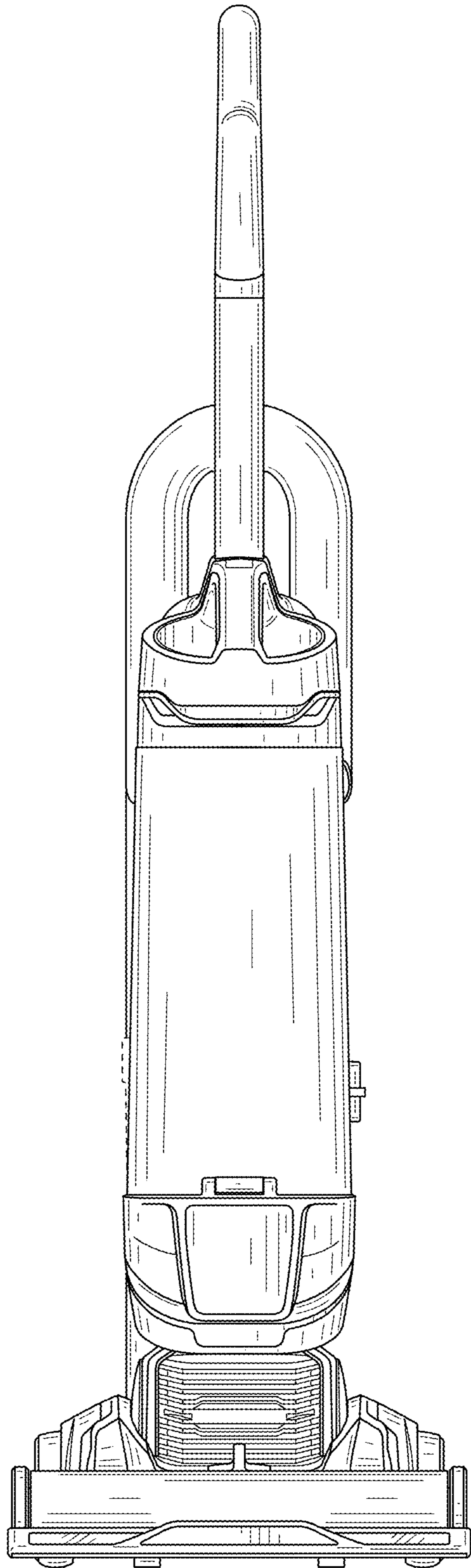


FIG. 2

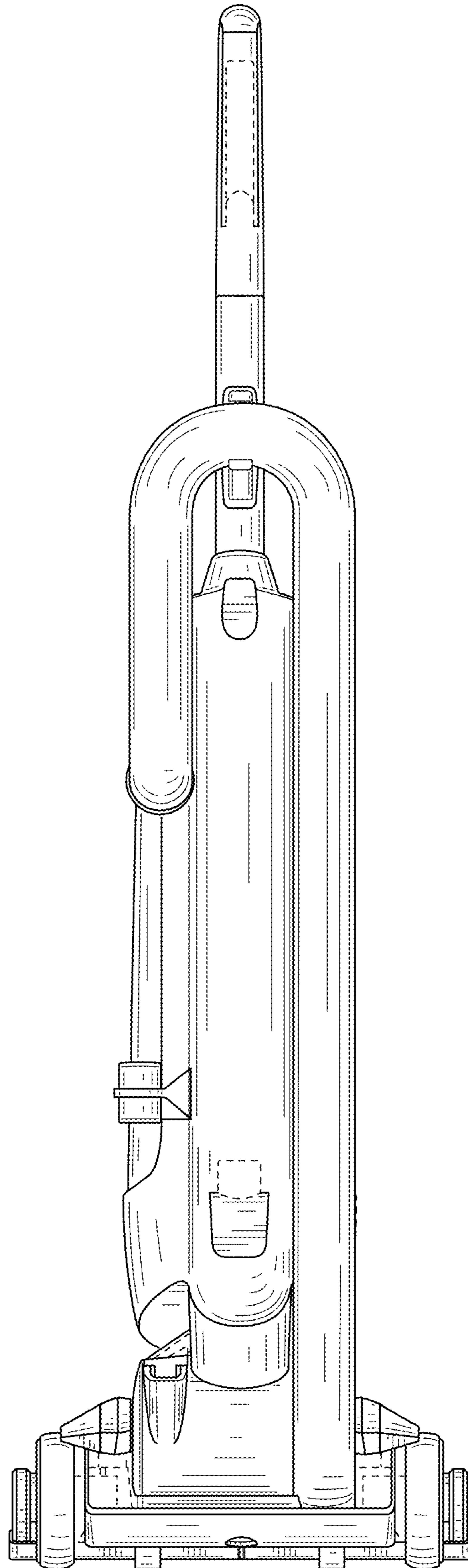


FIG. 3

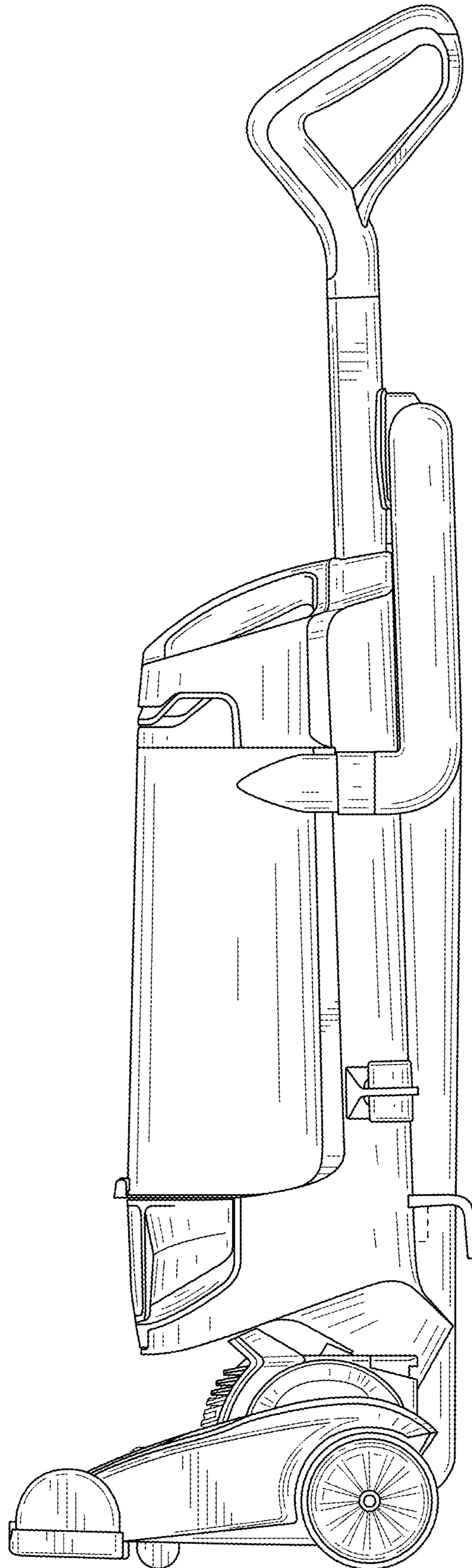


FIG. 4

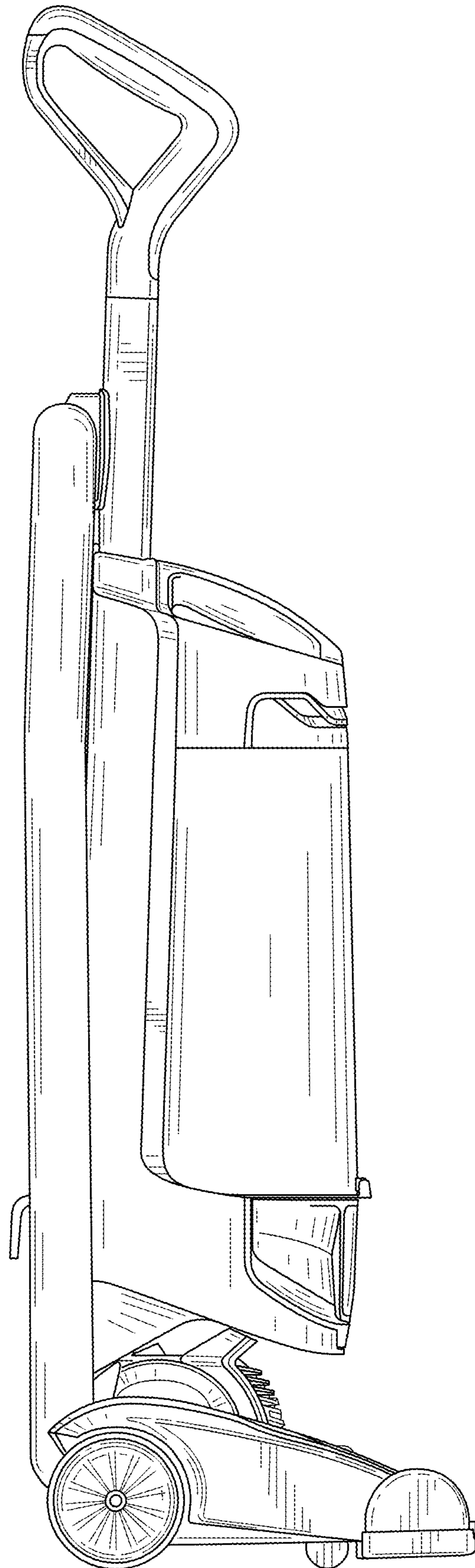


FIG. 5

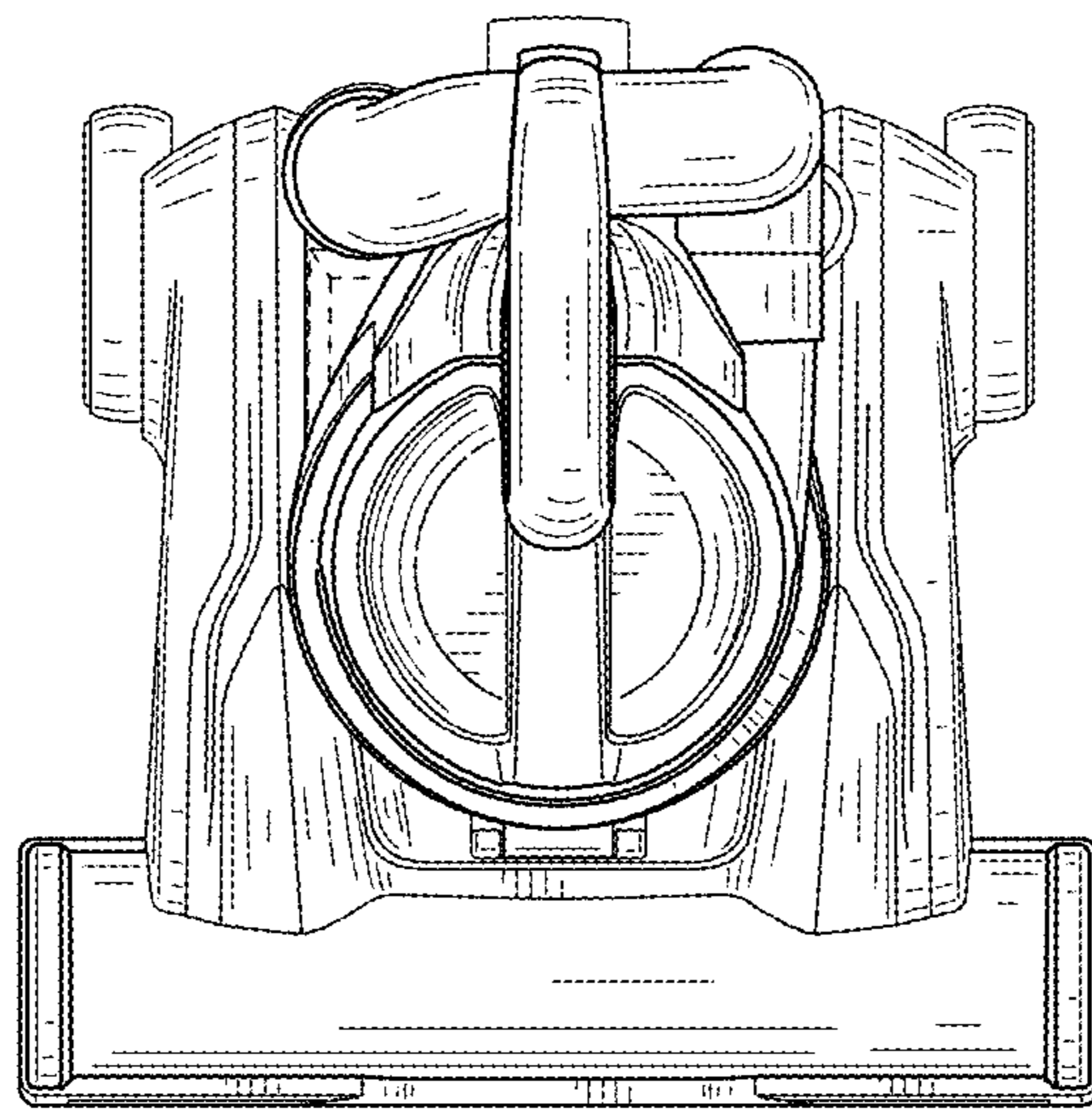


FIG. 6

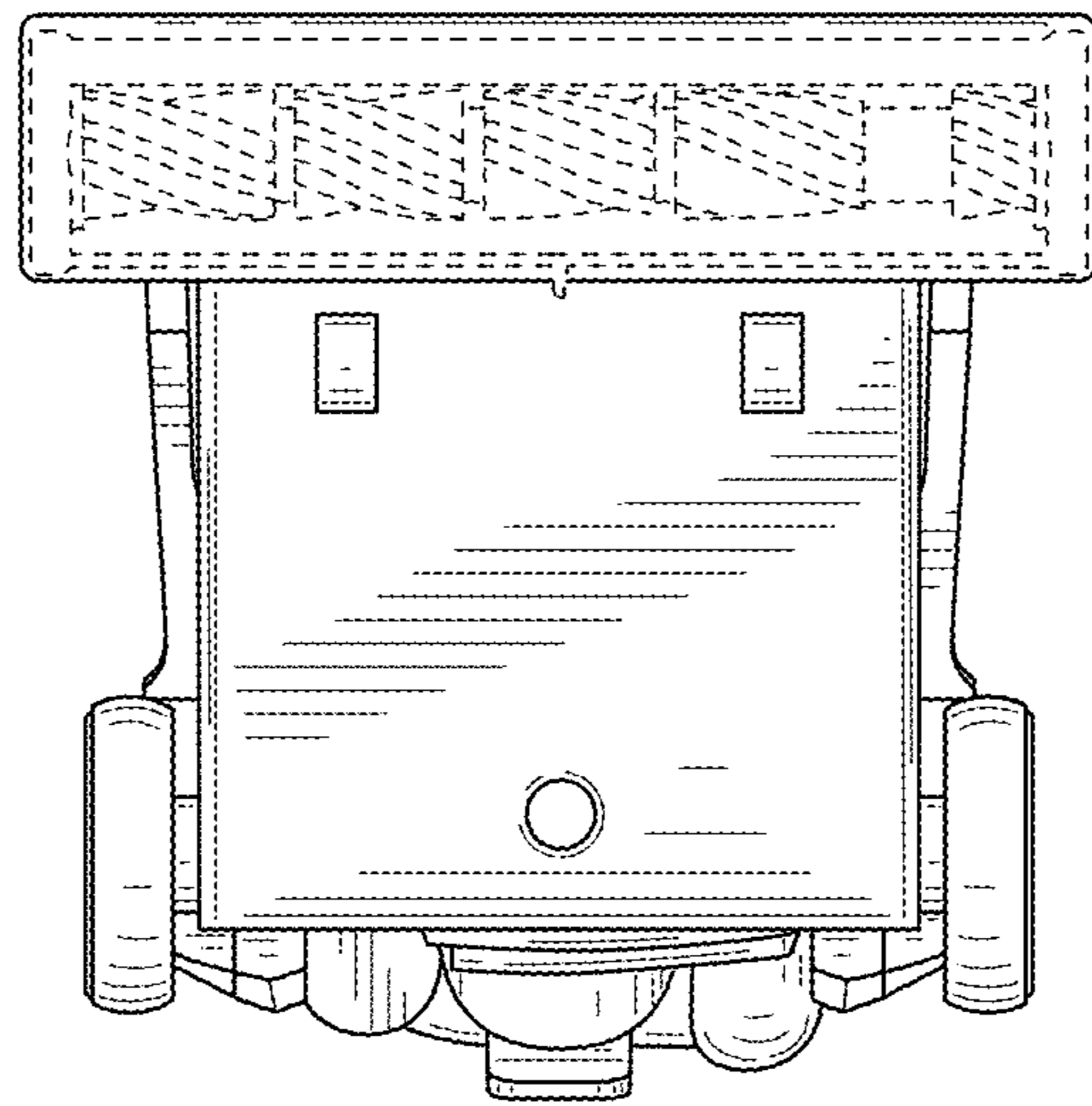


FIG. 7

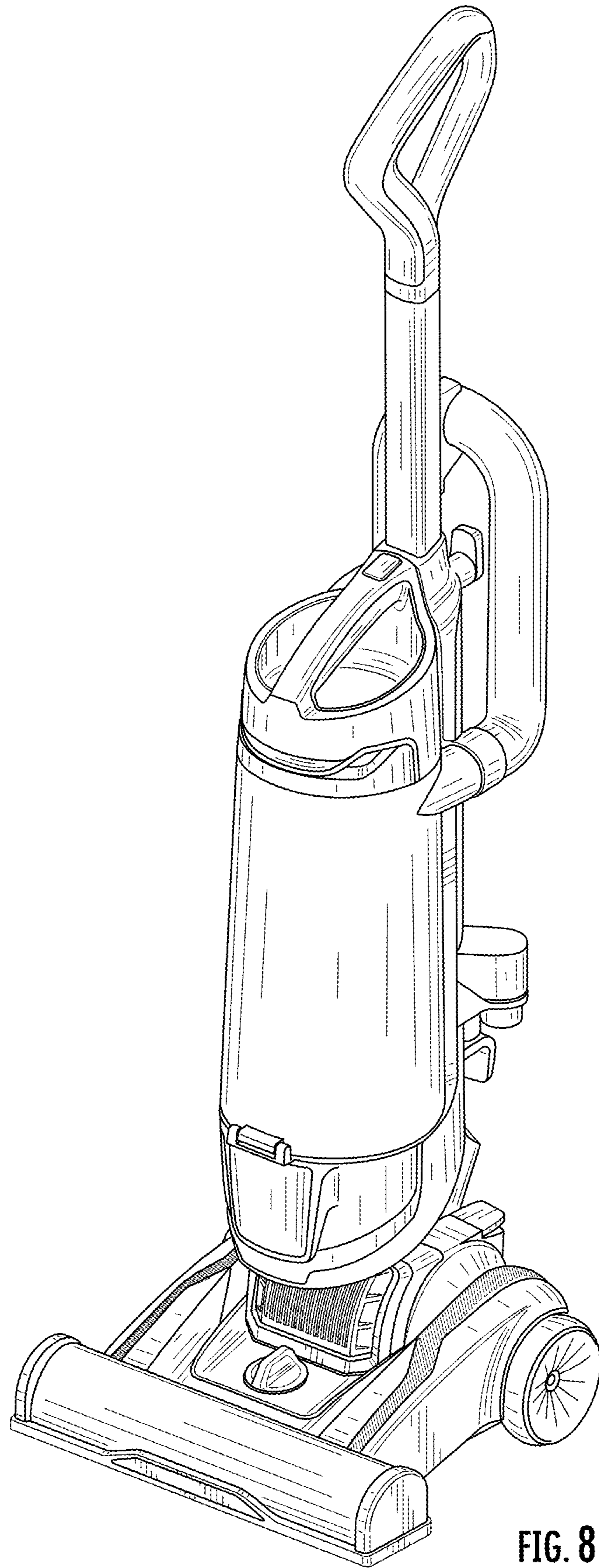


FIG. 8

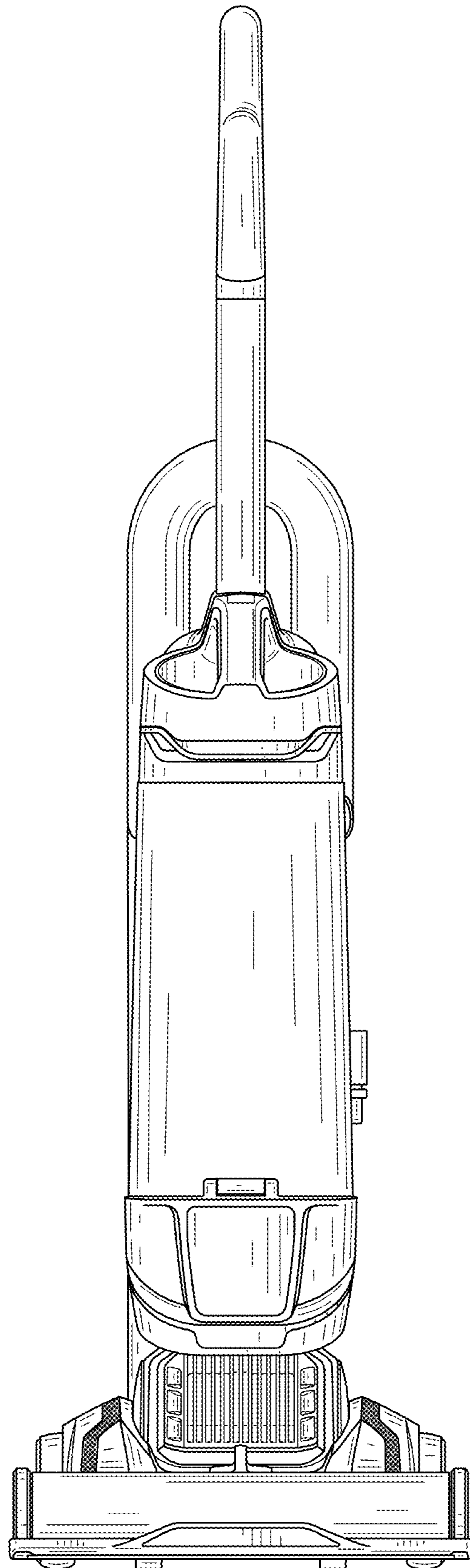


FIG. 9

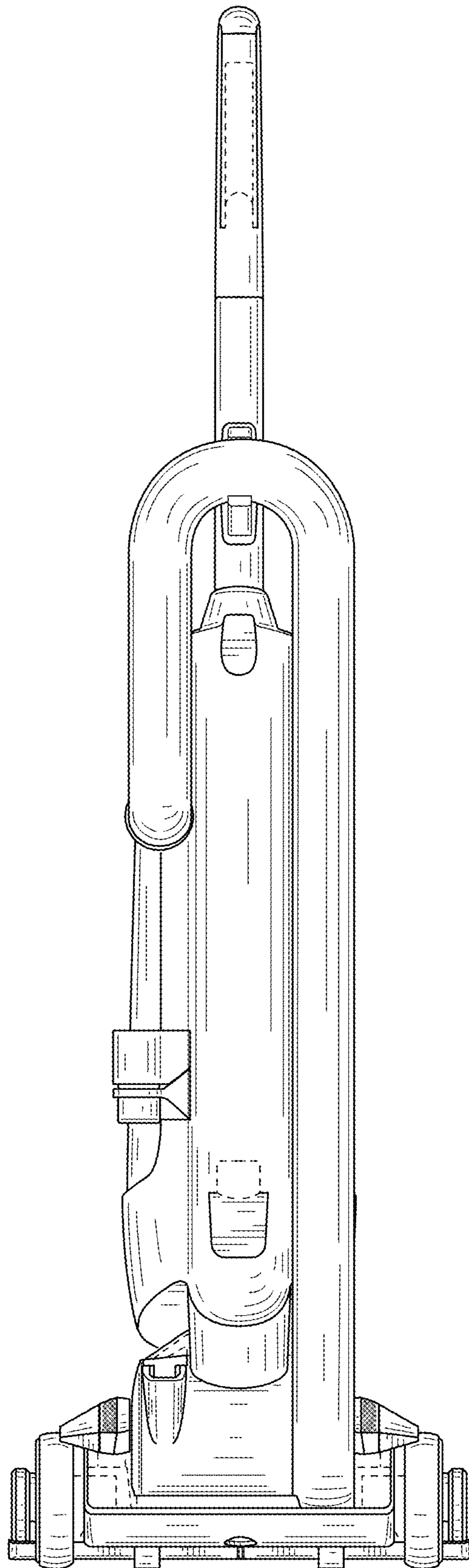


FIG. 10

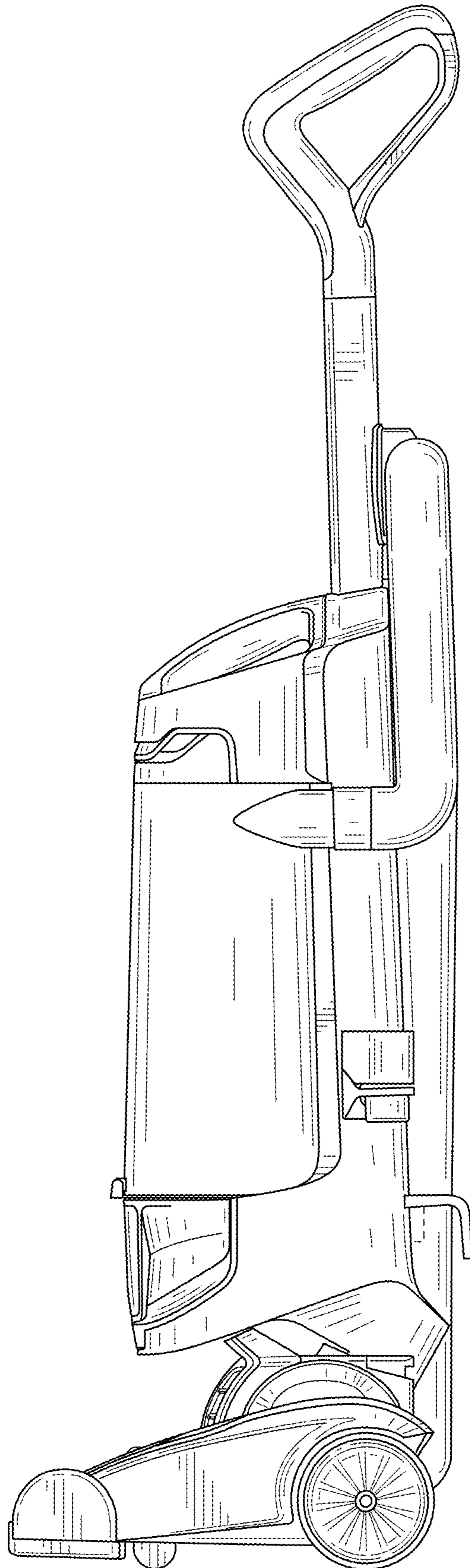


FIG. 11

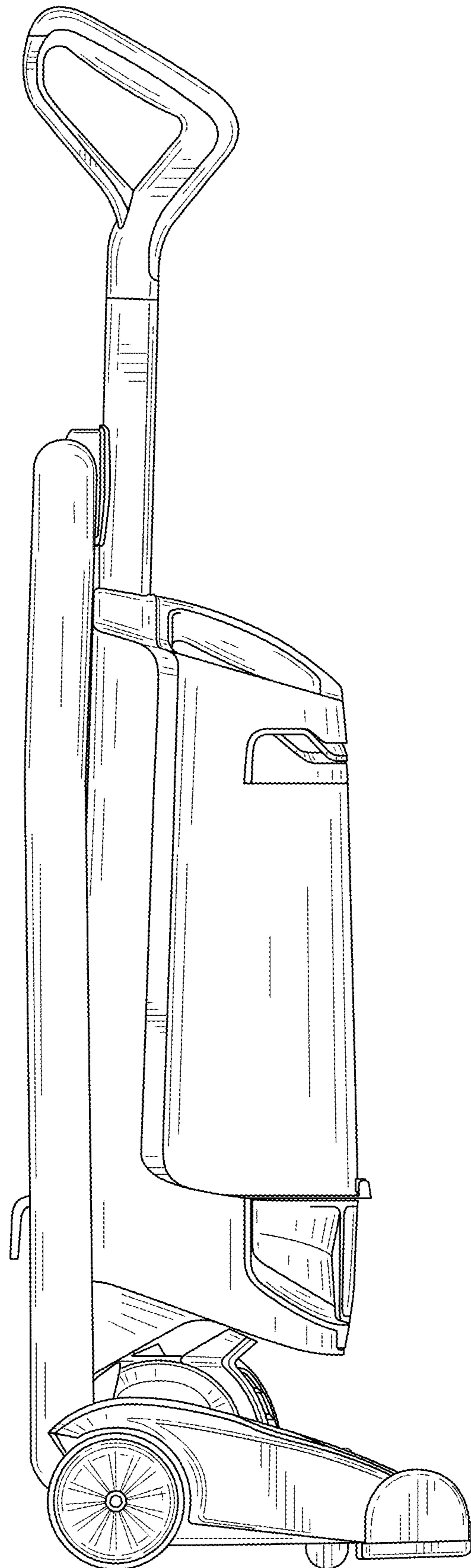


FIG. 12

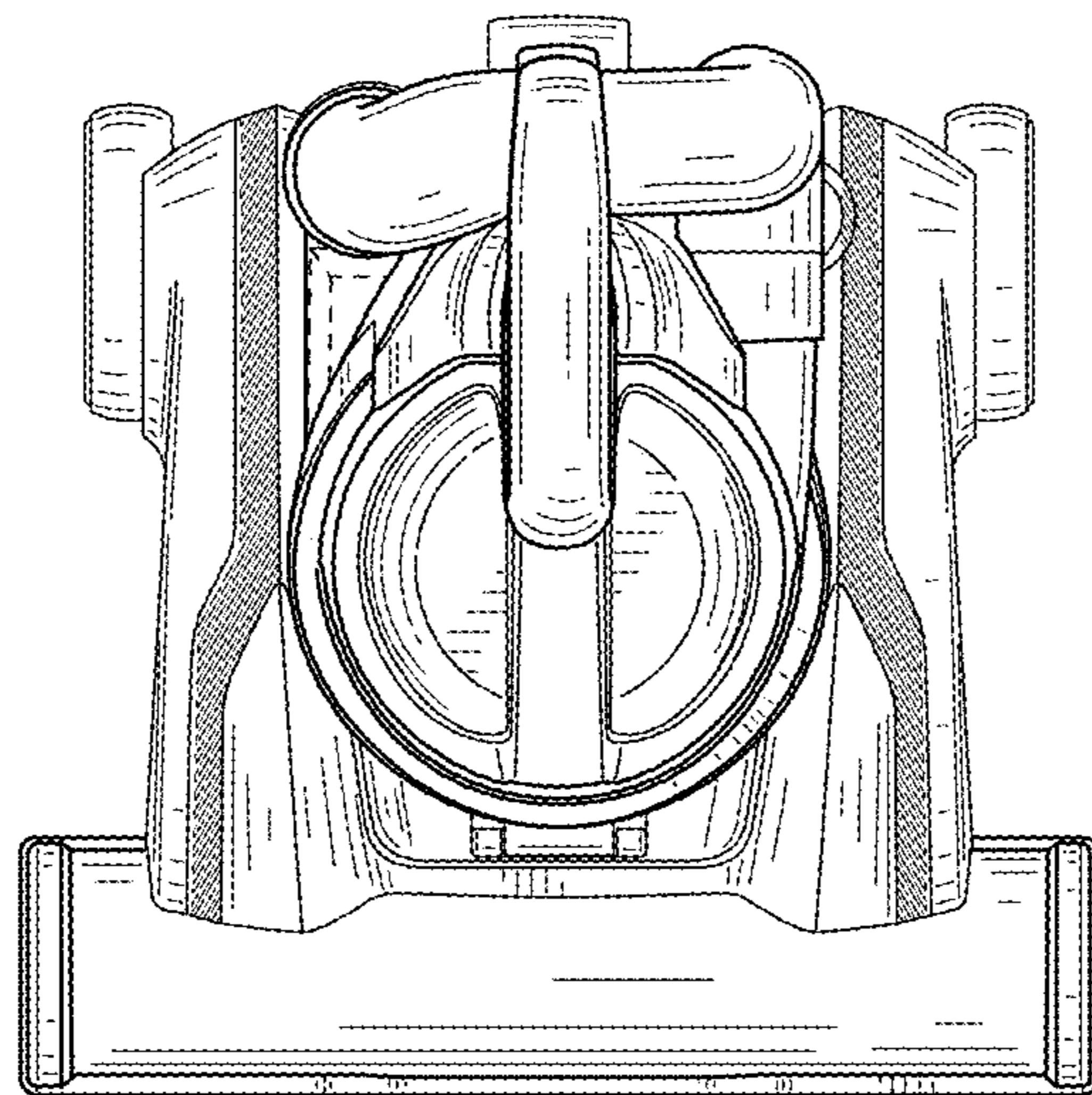


FIG. 13

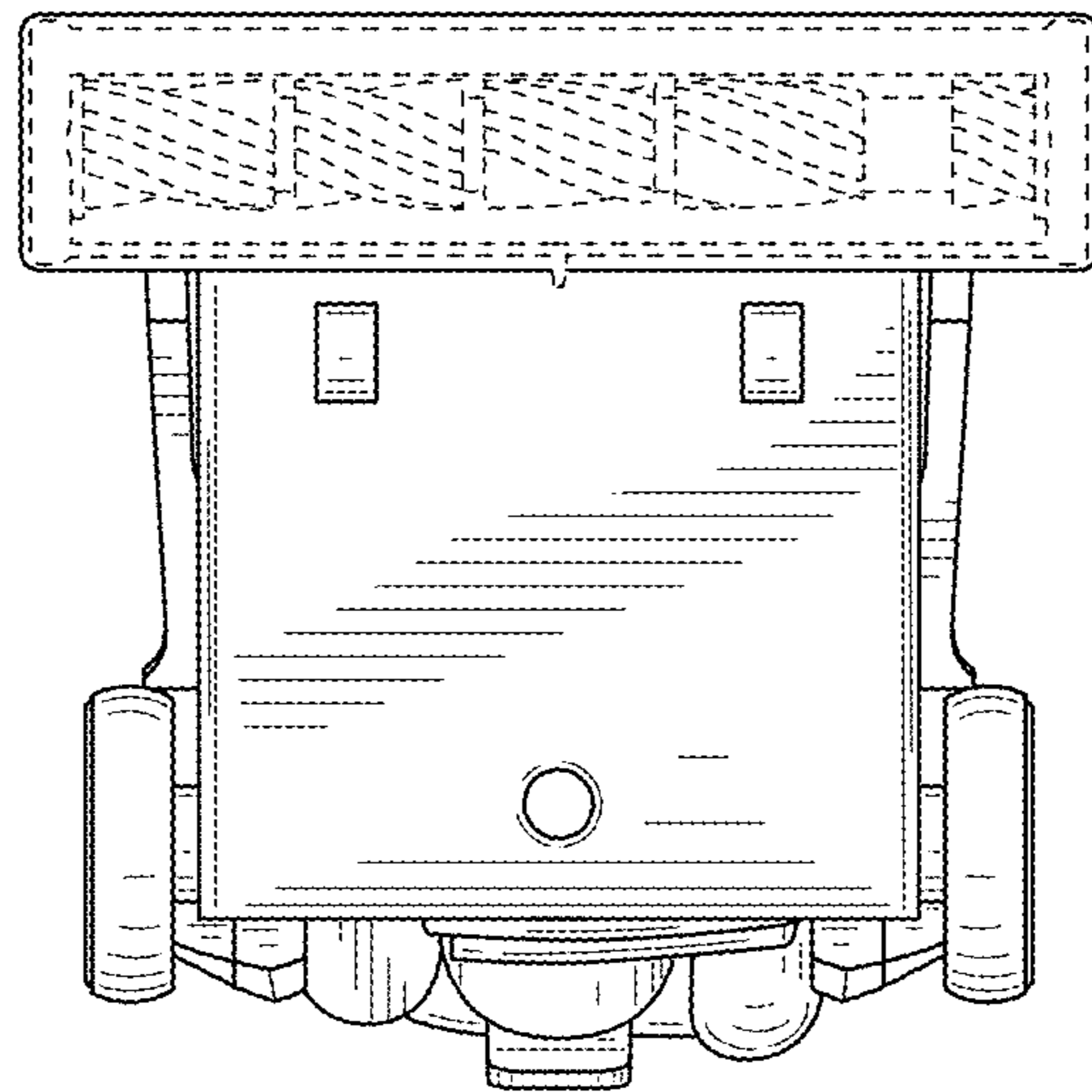


FIG. 14