



US00D946219S

(12) **United States Design Patent**  
**Alexander et al.**

(10) **Patent No.:** **US D946,219 S**  
(45) **Date of Patent:** **\*\* Mar. 15, 2022**

(54) **PRESSURE WASHER**  
(71) Applicant: **FNA Group, Inc.**, Pleasant Prairie, WI  
(US)

D778,011 S \* 1/2017 Alexander ..... D32/16  
D779,745 S \* 2/2017 Weinberg ..... D32/16  
D779,746 S \* 2/2017 Weinberg ..... D32/16  
(Continued)

(72) Inventors: **Gus Alexander**, Inverness, IL (US);  
**Richard J. Gilpatrick**, Burlington, WI  
(US)

FOREIGN PATENT DOCUMENTS

KR 3020180000019 \* 1/2018

(73) Assignee: **FNA GROUP, INC.**, Pleasant Prairie,  
WI (US)

OTHER PUBLICATIONS

Homedit sote Simpson Pressure Washer reviews, Internet Waybak  
Machine date Feb. 26, 2021, <https://www.homedit.com/simpson-pressure-washer/>, site visited Mar. 27, 2021.\*

(\*\*) Term: **15 Years**

*Primary Examiner* — John R Yeh

(21) Appl. No.: **29/686,893**

(74) *Attorney, Agent, or Firm* — Steven E. Jedlinski;  
Jeffrey T. Placker; Holland & Knight LLP

(22) Filed: **Apr. 9, 2019**

(51) **LOC (13) Cl.** ..... **15-05**

(52) **U.S. Cl.**  
USPC ..... **D32/15**

(57) **CLAIM**

The ornamental design for a pressure washer, as shown and  
described.

(58) **Field of Classification Search**

USPC ..... D32/1-2, 5-6, 8-10, 15-17, 19, 25, 28,  
D32/33, 35-36, 53; D7/354; D24/217;  
D4/109, 114, 127, 134

**DESCRIPTION**

CPC .. A61L 2/10; A61C 19/00; A47J 27/00; F26B  
11/02; E05B 65/0007; A47L 15/0084;  
D06F 39/00; D06F 34/28

See application file for complete search history.

FIG. 1 is a top-front-right perspective view of a pressure  
washer;  
FIG. 2 is a bottom-front-left perspective view thereof;  
FIG. 3 is a top-rear-right perspective view thereof;  
FIG. 4 is a bottom-rear-left perspective view thereof;  
FIG. 5 is a bottom-front-left perspective view thereof;  
FIG. 6 is a bottom-rear-left perspective view thereof;  
FIG. 7 is a rear elevation view thereof;  
FIG. 8 is a front elevation view thereof;  
FIG. 9 is a right elevation view thereof;  
FIG. 10 is a left elevation view thereof;  
FIG. 11 is top plan view thereof; and,  
FIG. 12 is a bottom plan view thereof.

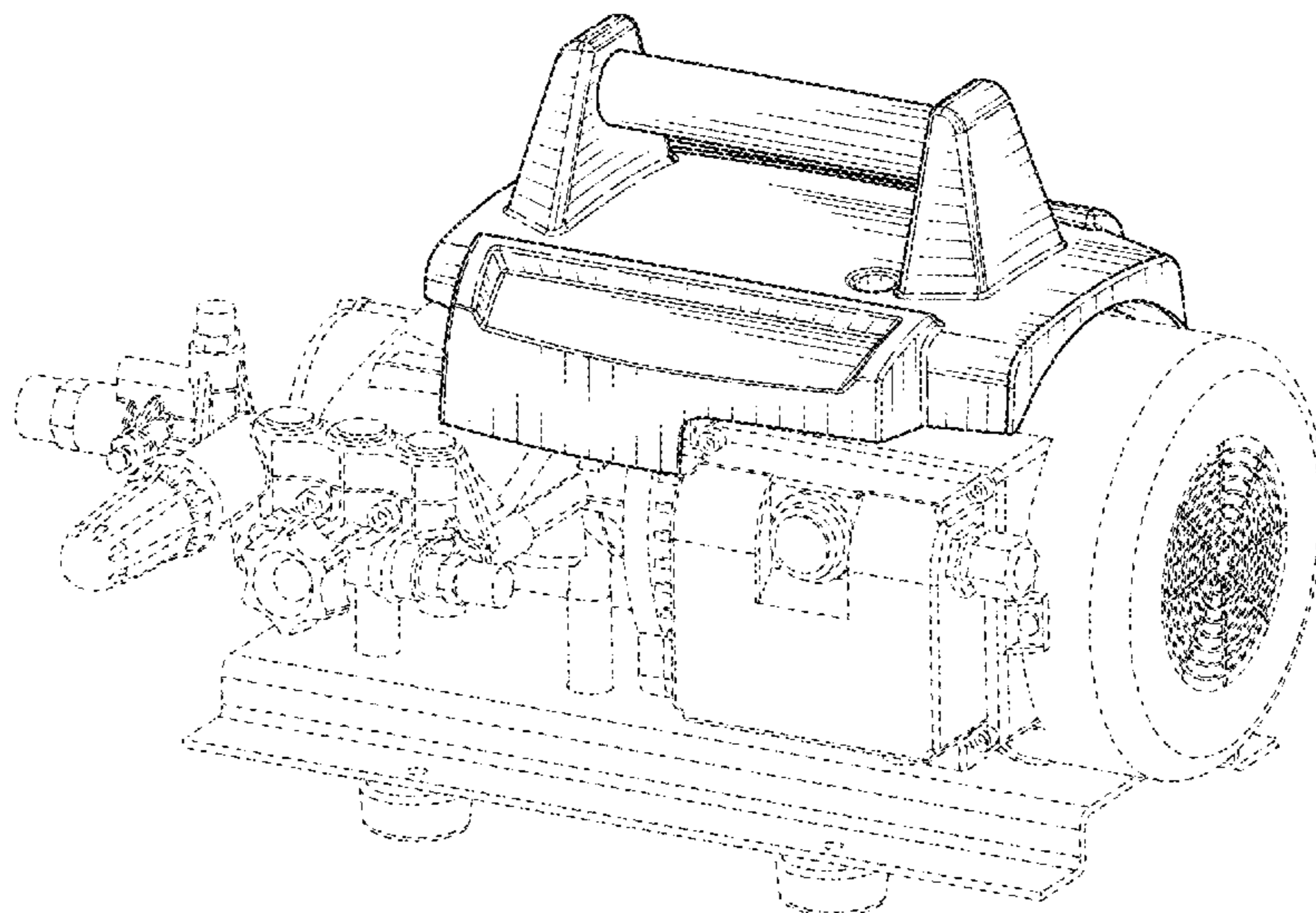
The broken lines are included for the purpose of illustrating  
portions of the pressure washer that form no part of the  
claimed design.

(56) **References Cited**

U.S. PATENT DOCUMENTS

D458,423 S \* 6/2002 Rehkugler ..... D32/1  
6,750,556 B2 \* 6/2004 Sodemann ..... F02B 63/04  
123/3  
6,935,642 B1 \* 8/2005 Craig ..... B08B 3/026  
280/47.24  
D634,083 S \* 3/2011 Fay ..... D32/15  
D639,001 S \* 5/2011 Alexander ..... D32/15  
D648,082 S \* 11/2011 Alexander ..... D32/15  
D665,545 S \* 8/2012 Alexander ..... D32/15  
D703,888 S \* 4/2014 Kahan ..... D32/16  
D732,764 S \* 6/2015 Kennard ..... D32/15  
D733,373 S \* 6/2015 Kahan ..... D32/16

**1 Claim, 12 Drawing Sheets**



(56)

**References Cited**

U.S. PATENT DOCUMENTS

D824,612 S \* 7/2018 Alexander ..... D32/16  
D824,613 S \* 7/2018 Alexander ..... D32/16  
D836,272 S \* 12/2018 Janik ..... D32/15  
10,835,933 B2 \* 11/2020 Luby ..... F04B 17/06  
2006/0102745 A1 \* 5/2006 Dexter ..... B05B 9/0855  
239/146  
2010/0282862 A1 \* 11/2010 Gilpatrick ..... B08B 3/026  
239/88  
2011/0081261 A1 \* 4/2011 Klika ..... B05B 9/002  
417/364  
2011/0315176 A1 \* 12/2011 Gilpatrick ..... B08B 3/026  
134/57 R

\* cited by examiner

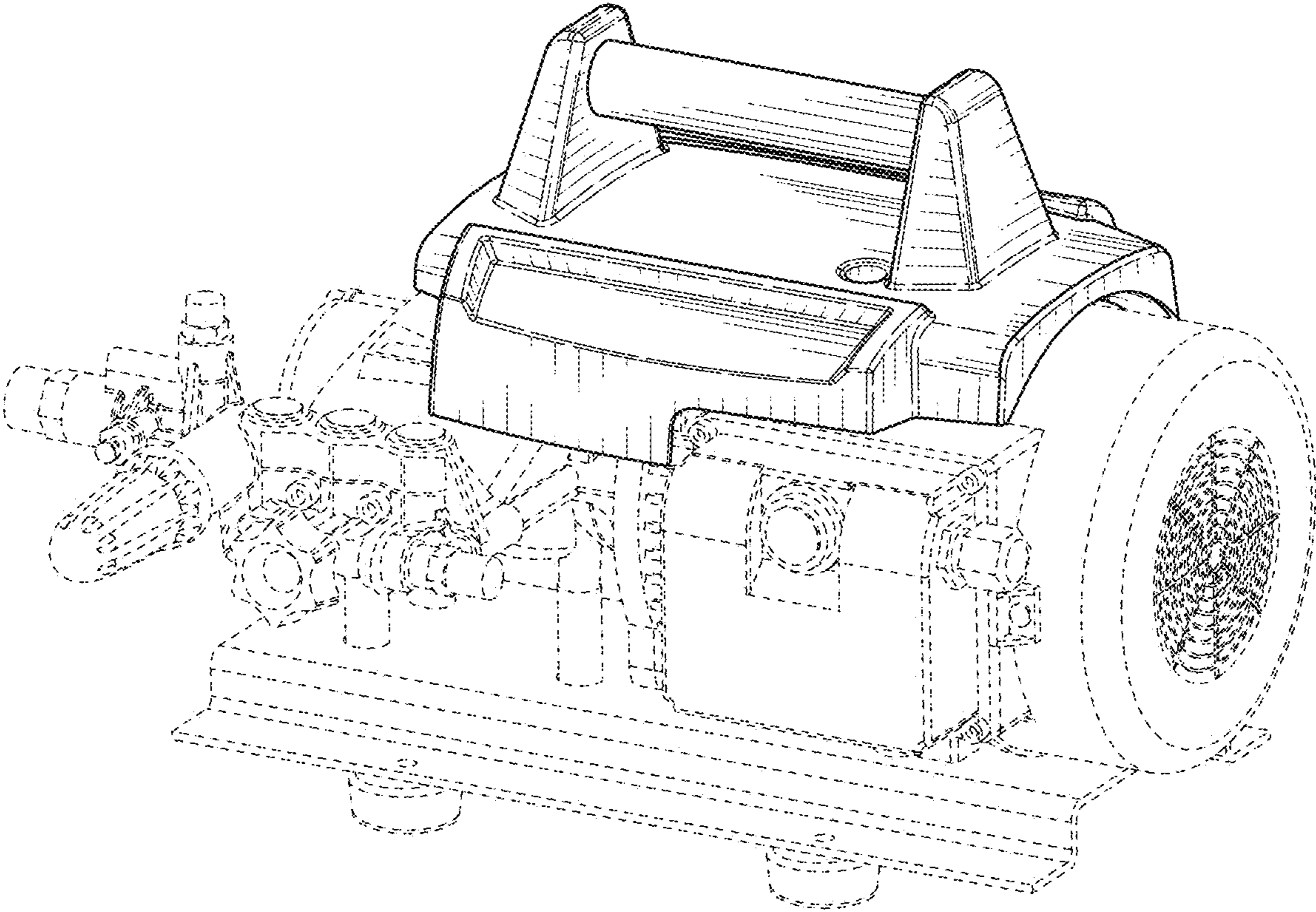


FIG. 1

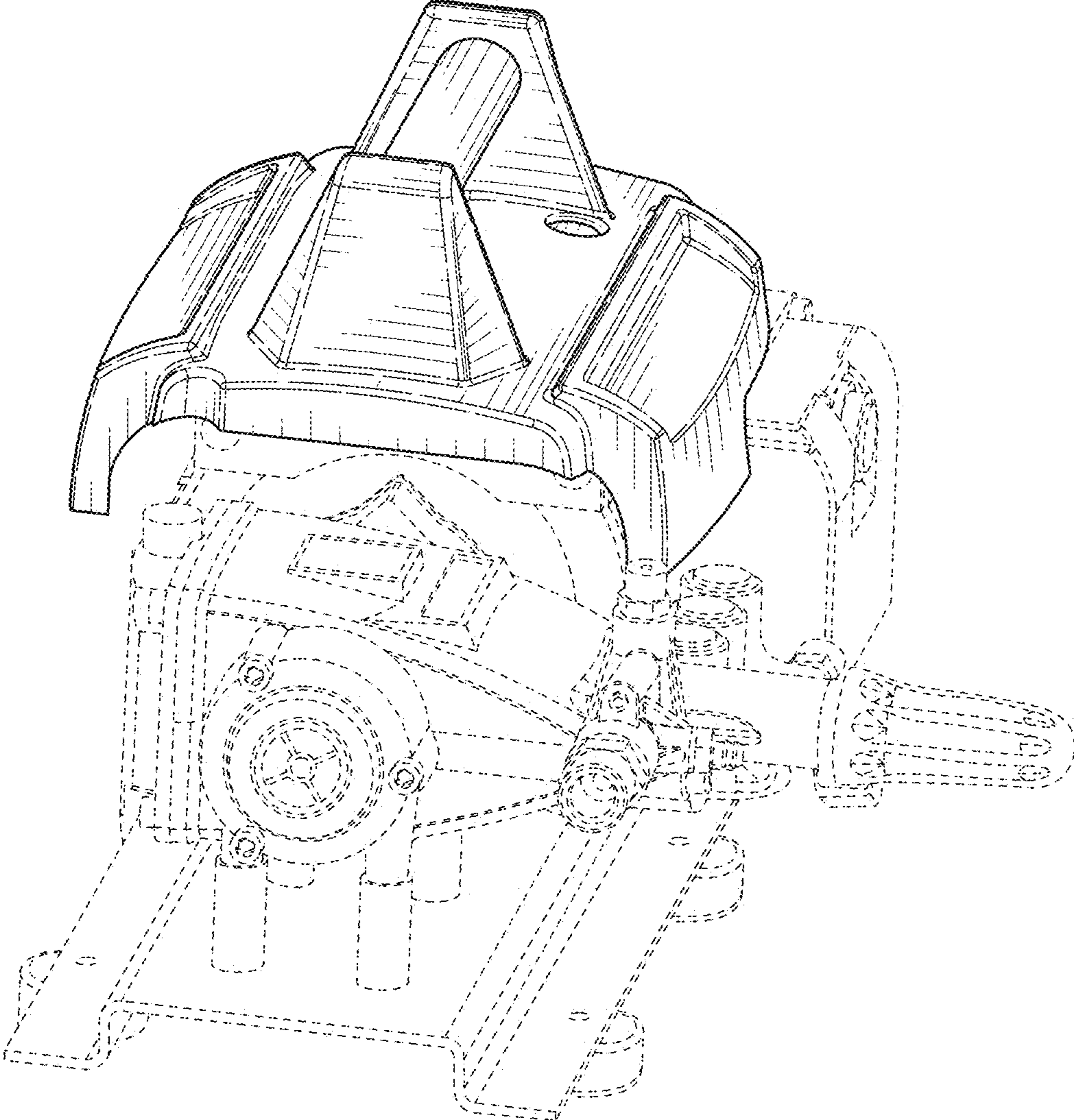


FIG. 2

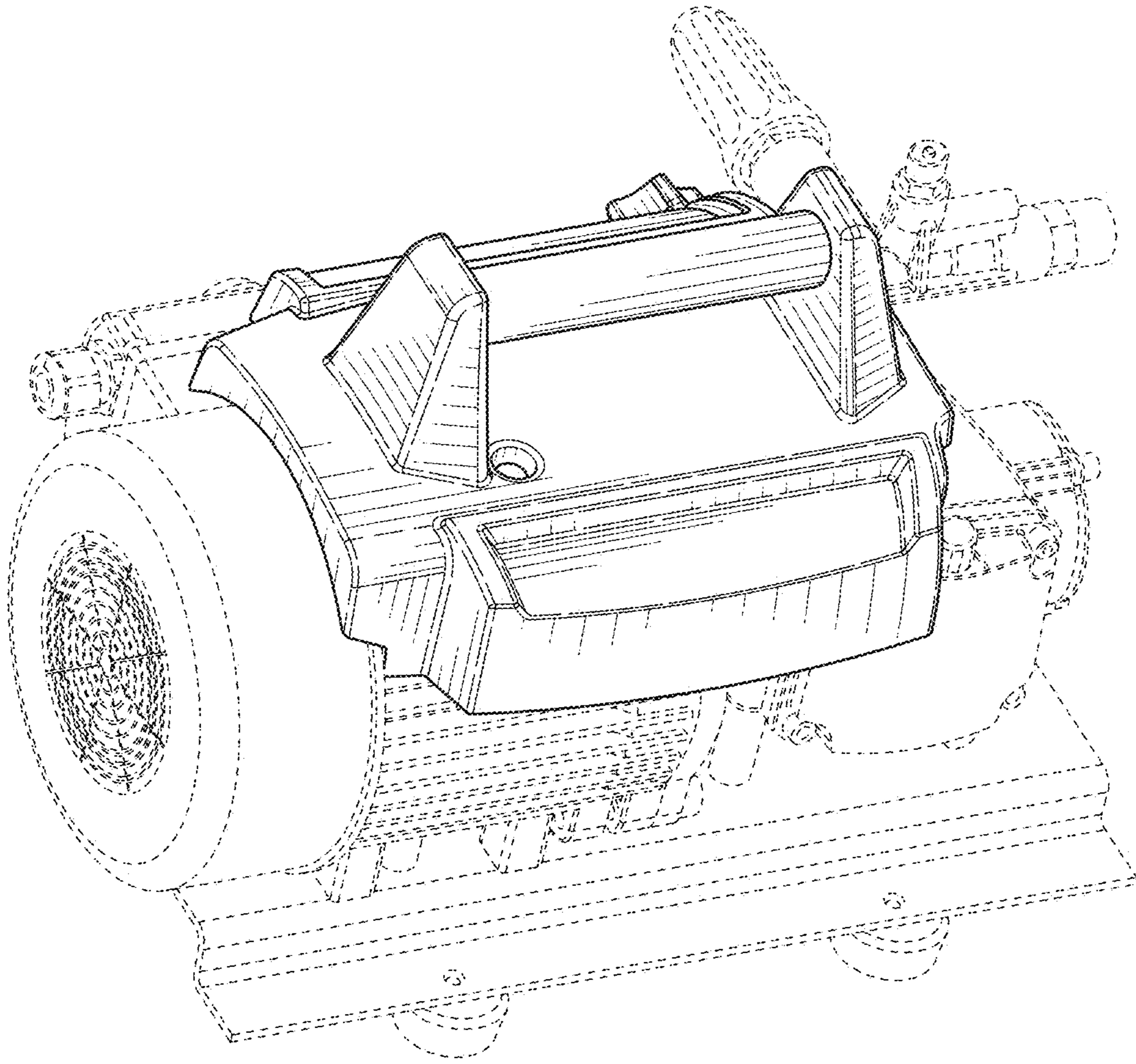


FIG. 3

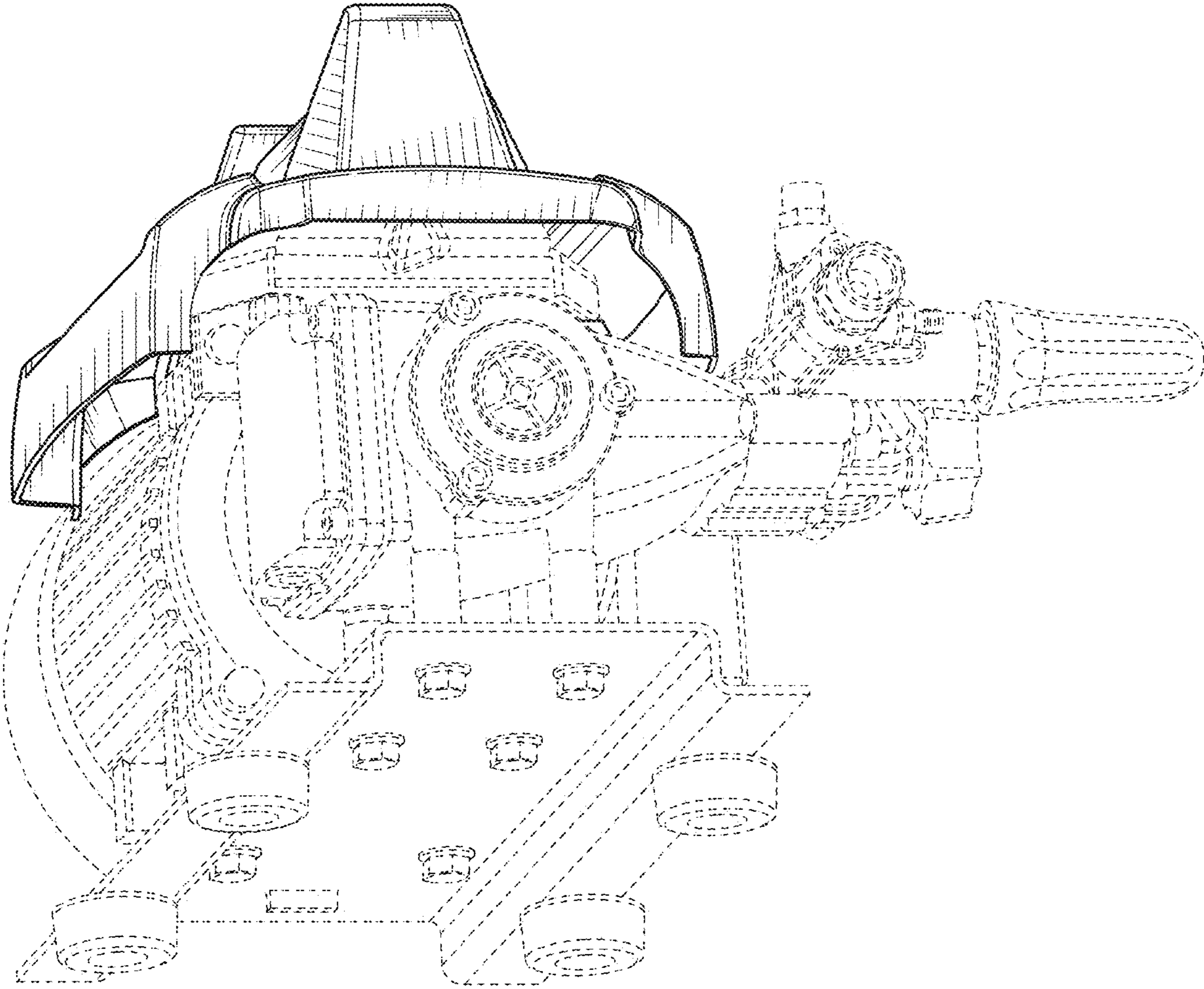


FIG. 4

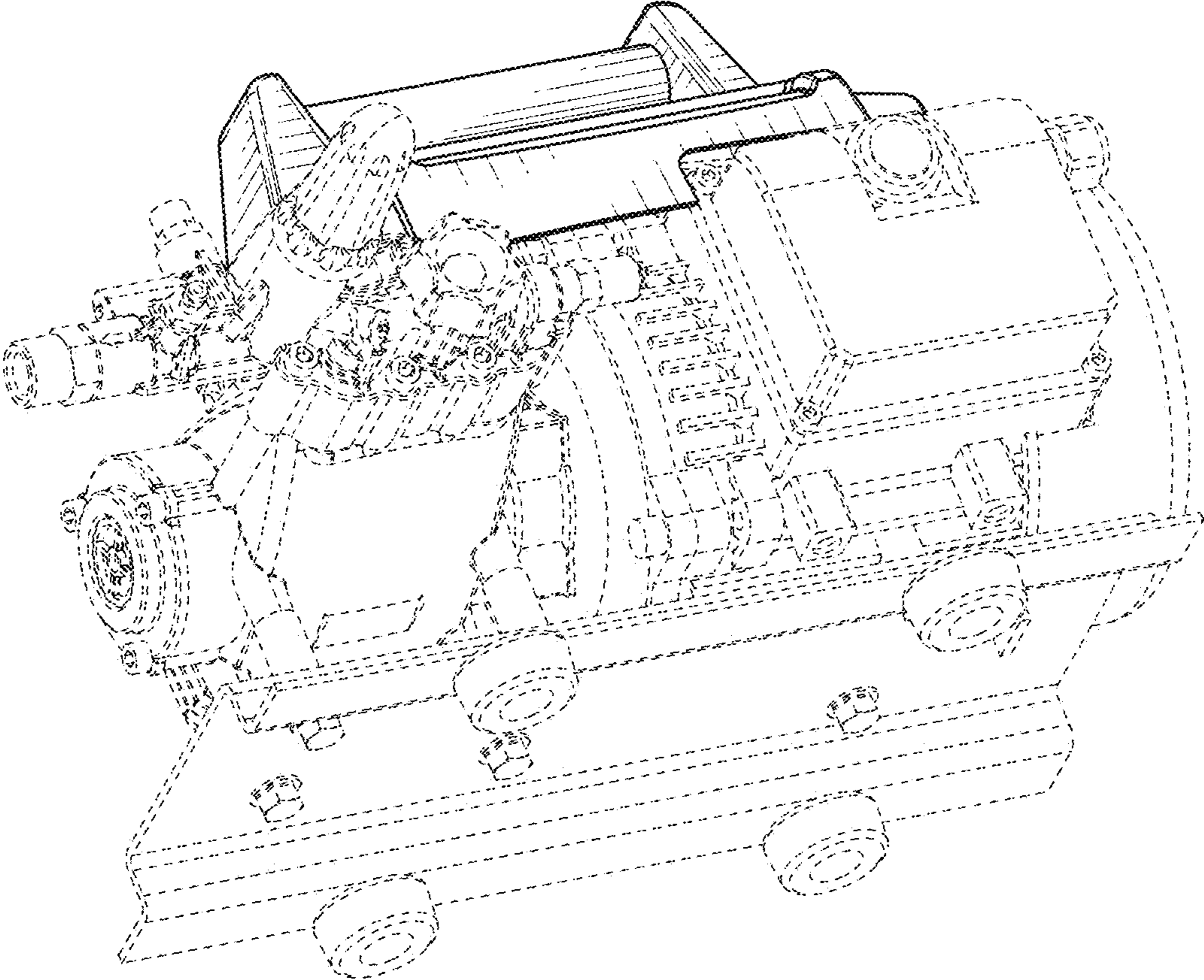


FIG. 5

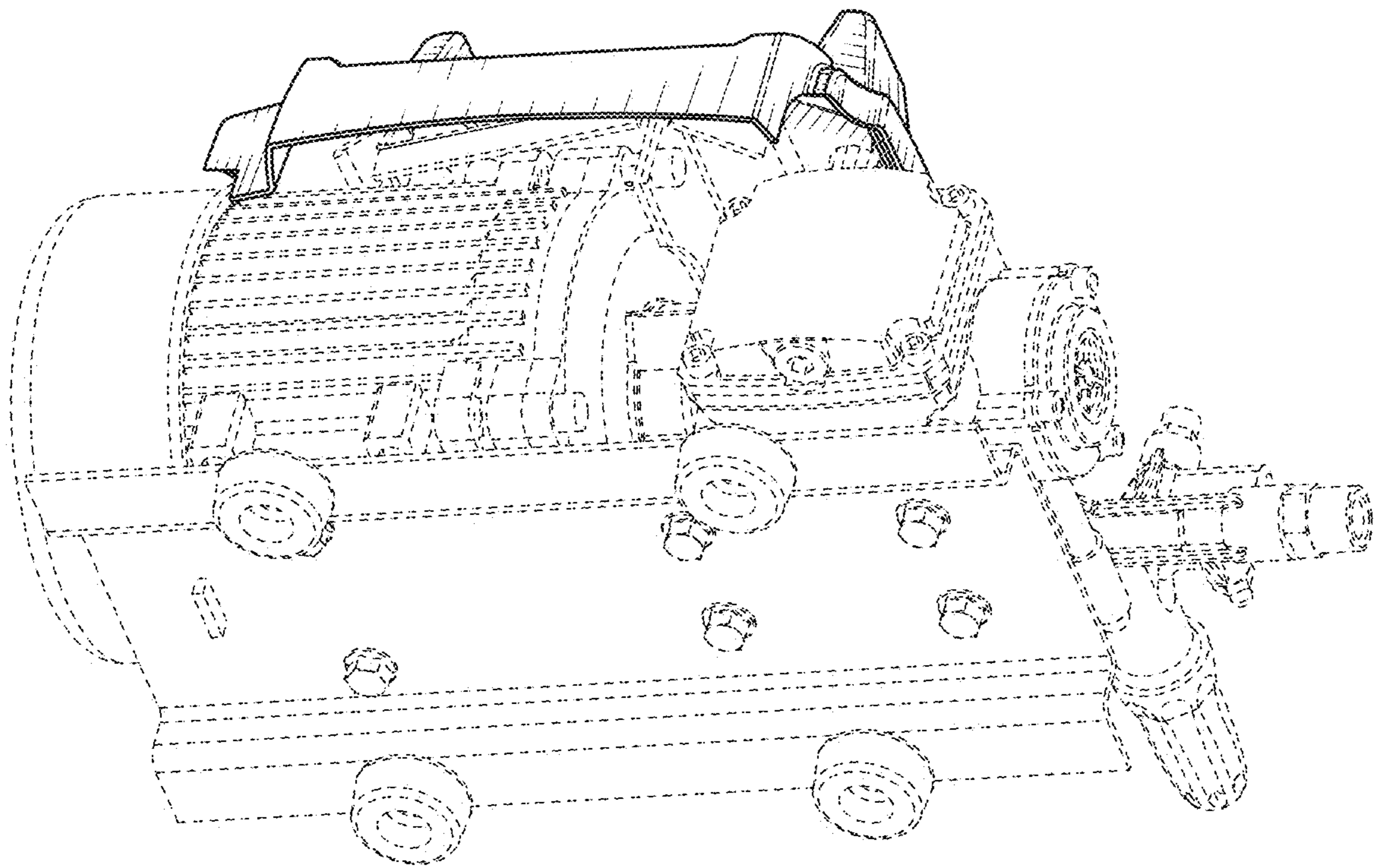


FIG. 6



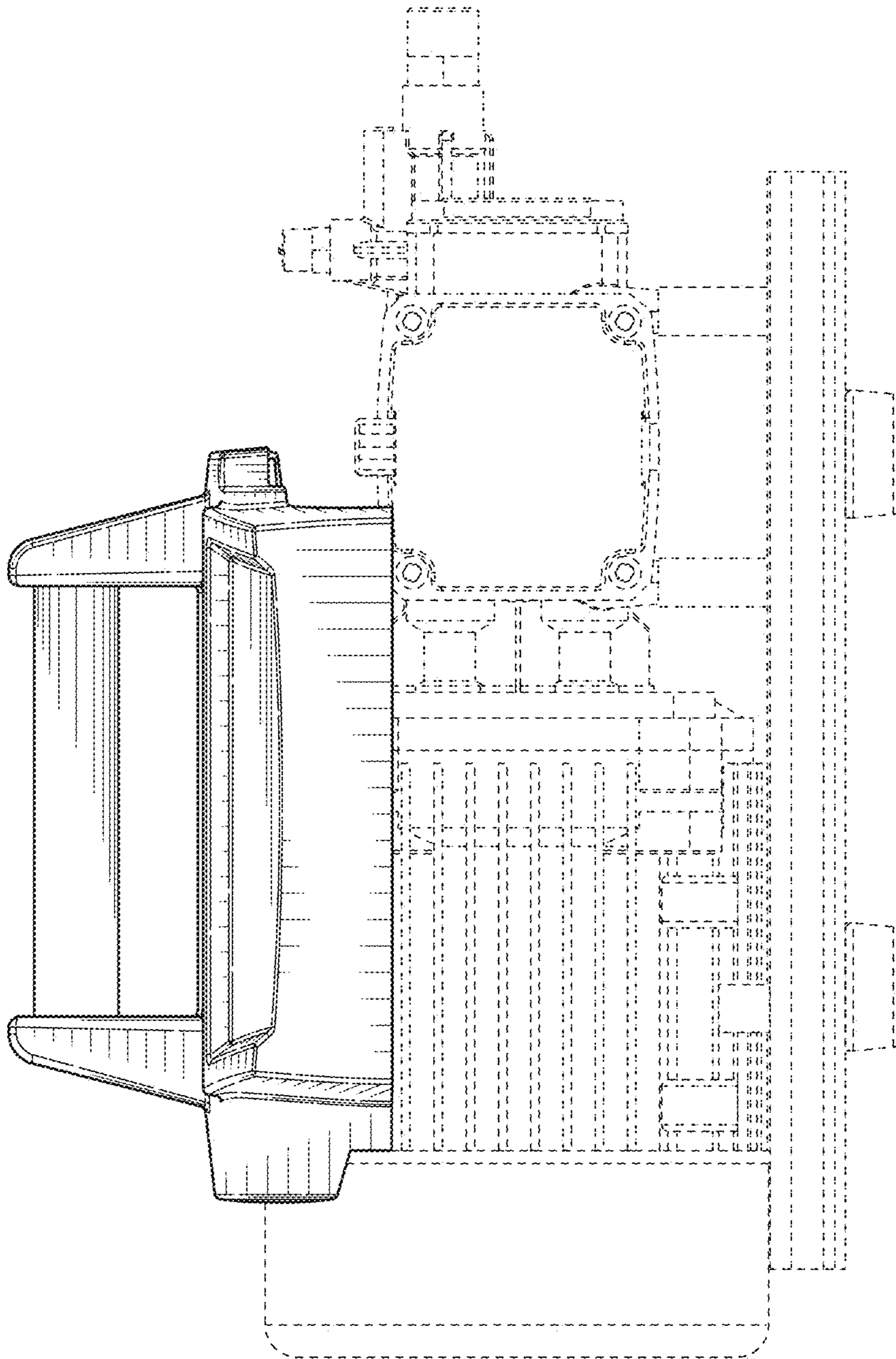


FIG. 7

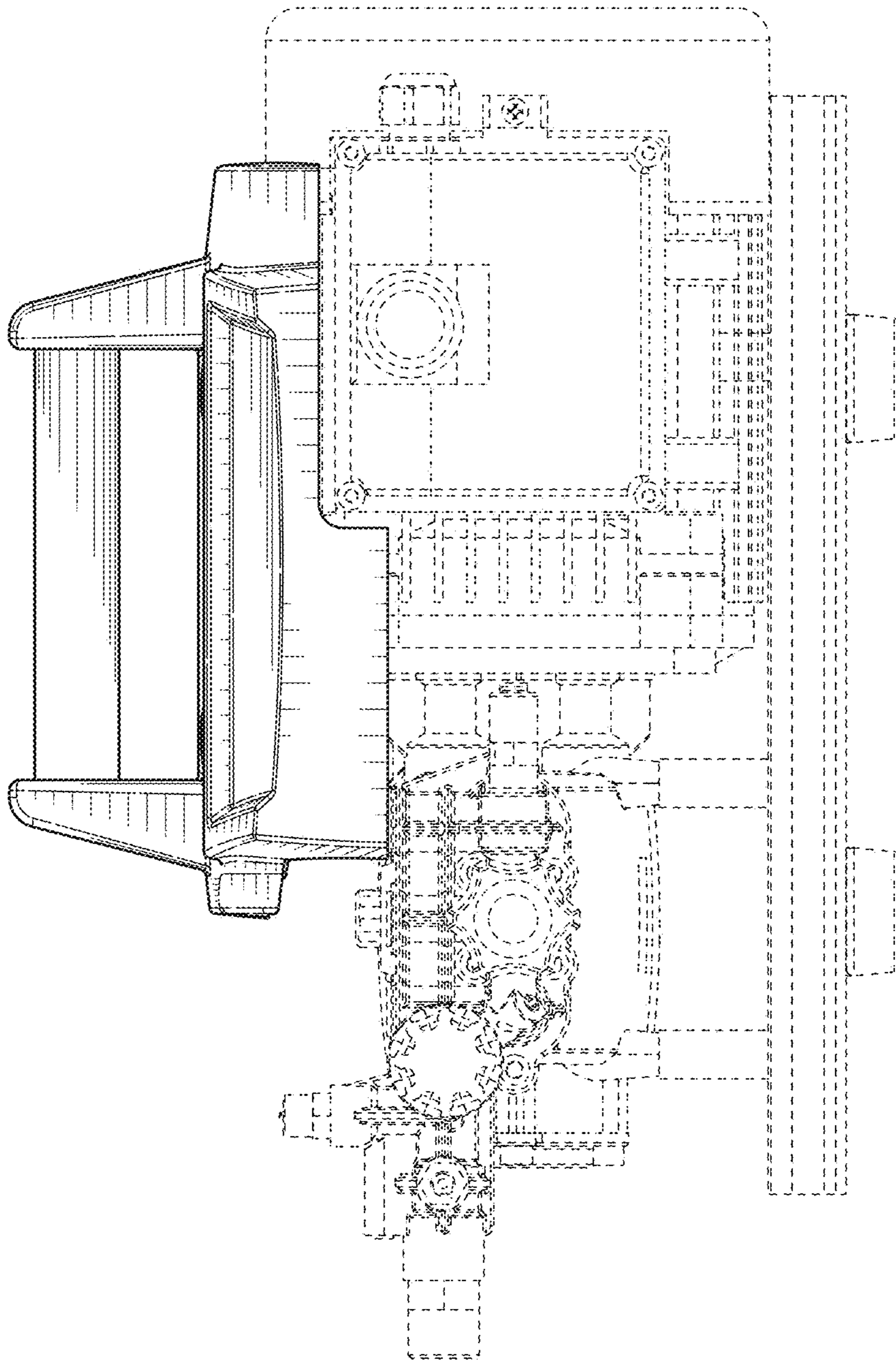


FIG. 8

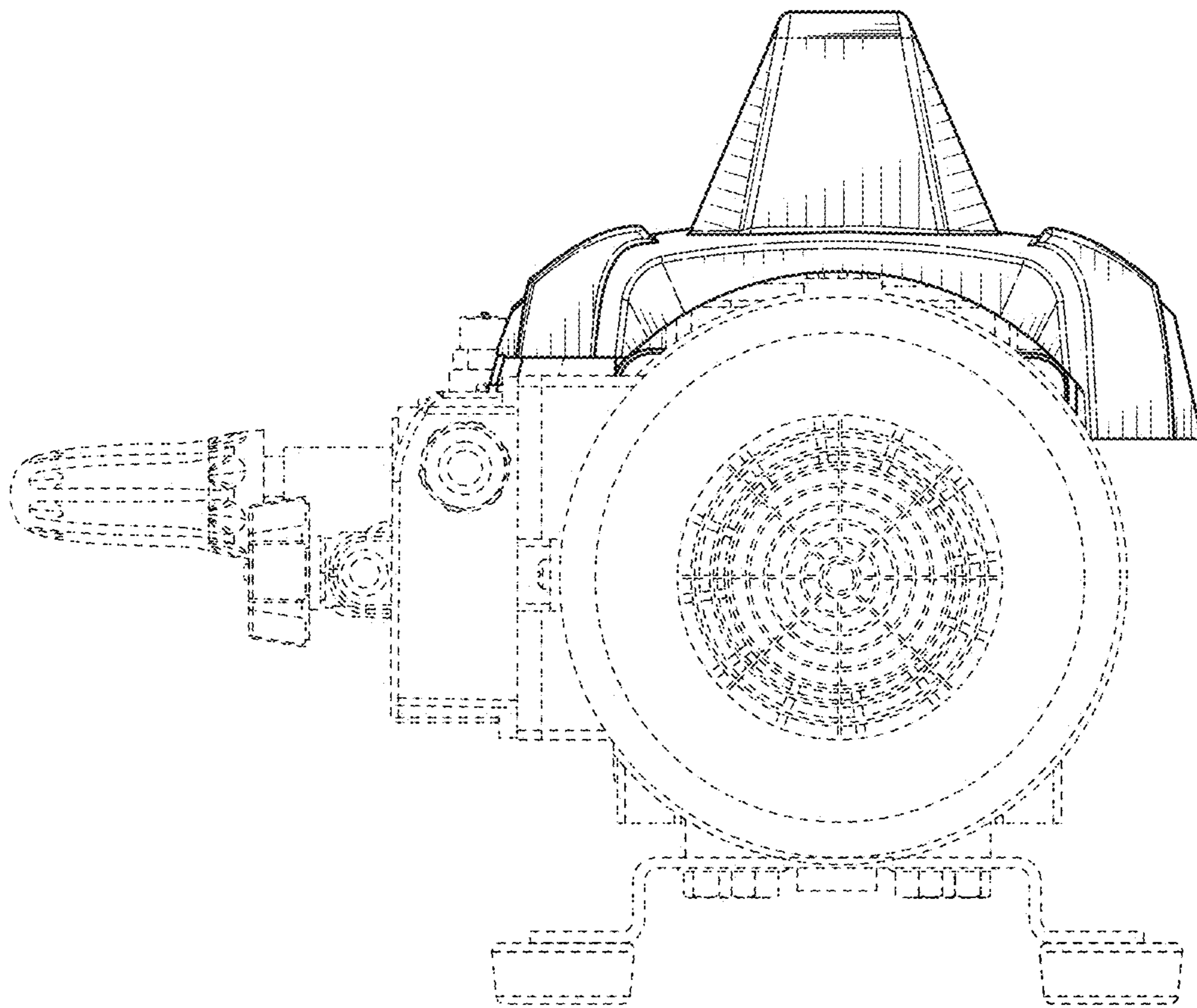


FIG. 9

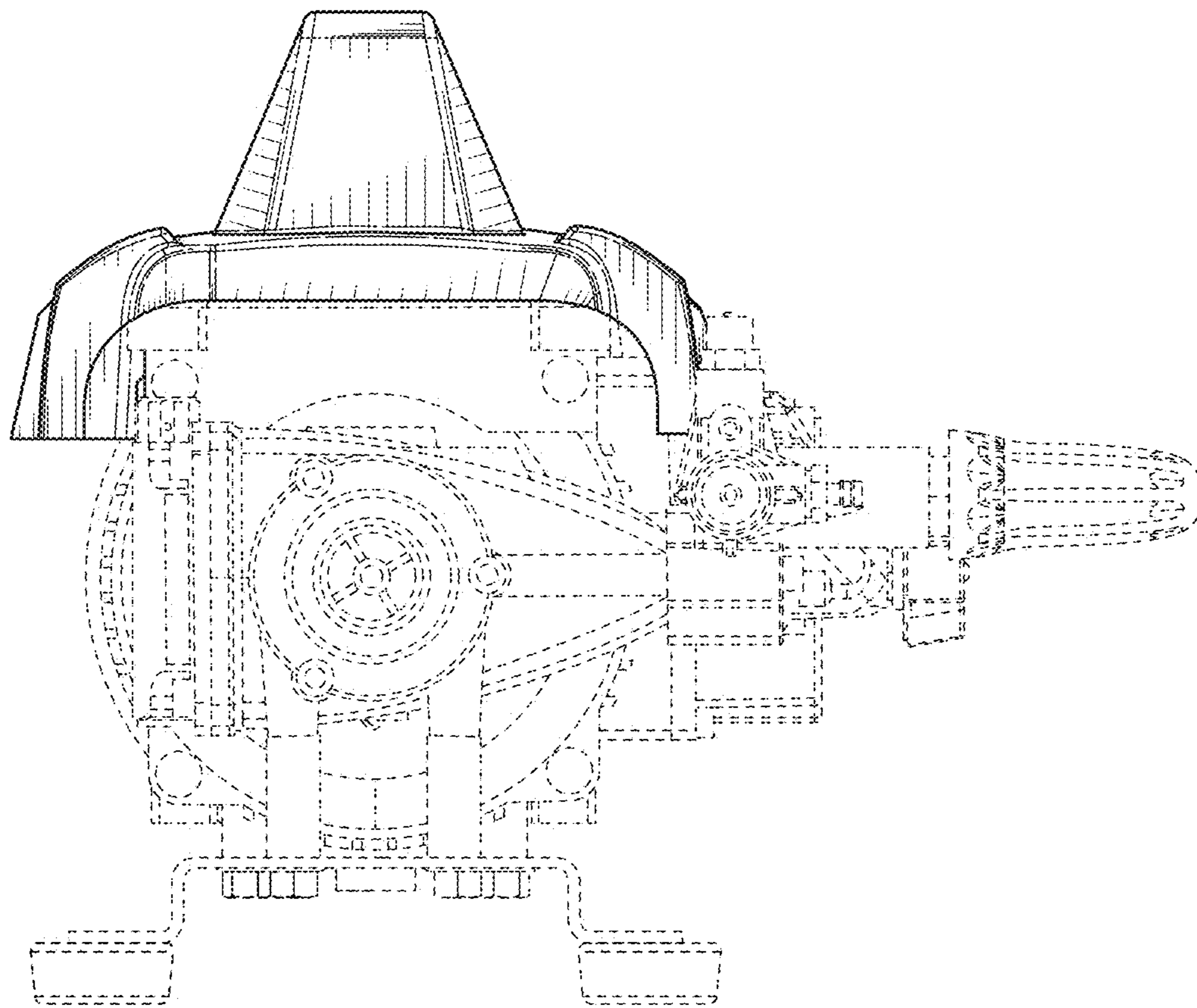


FIG. 10

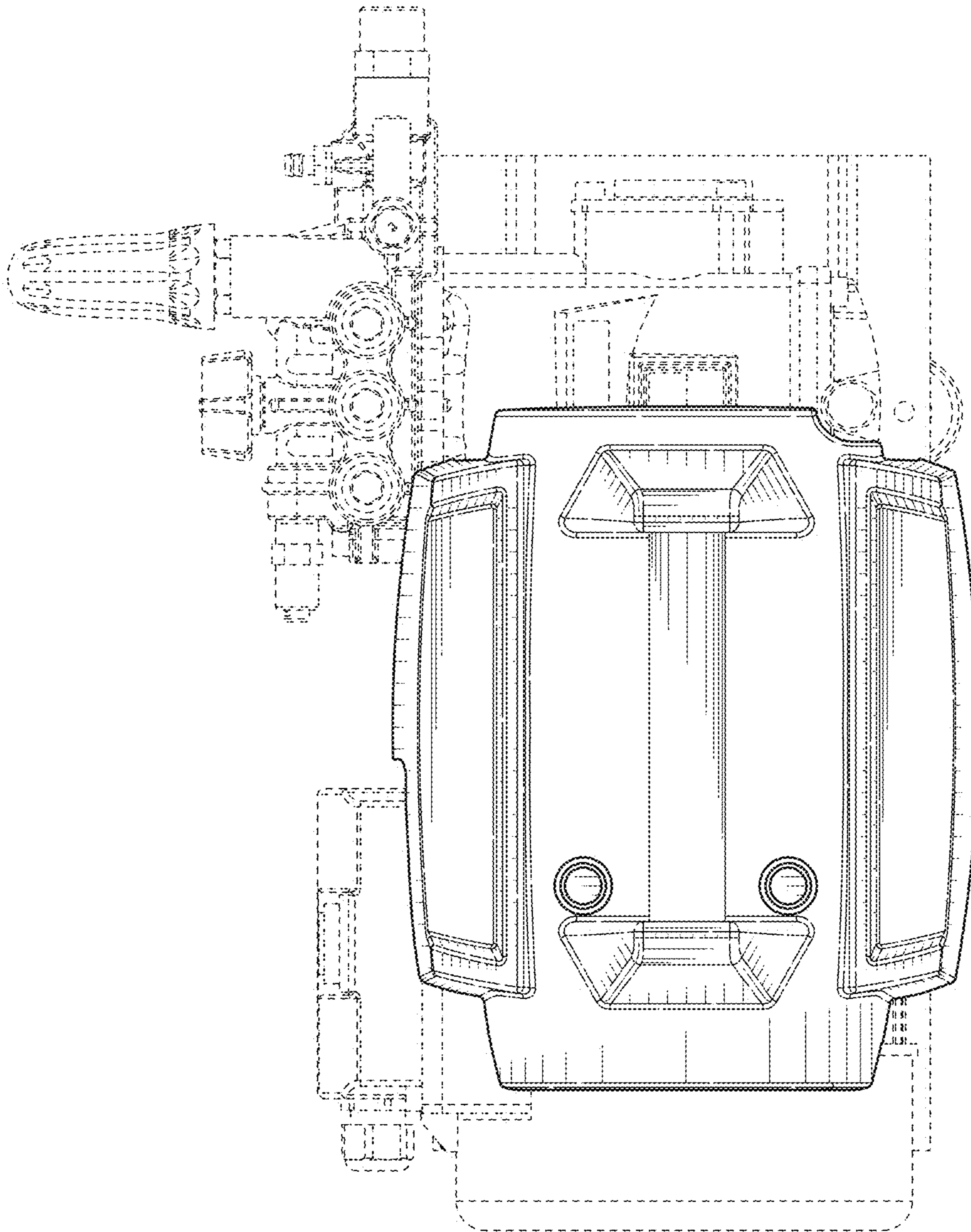


FIG. 11

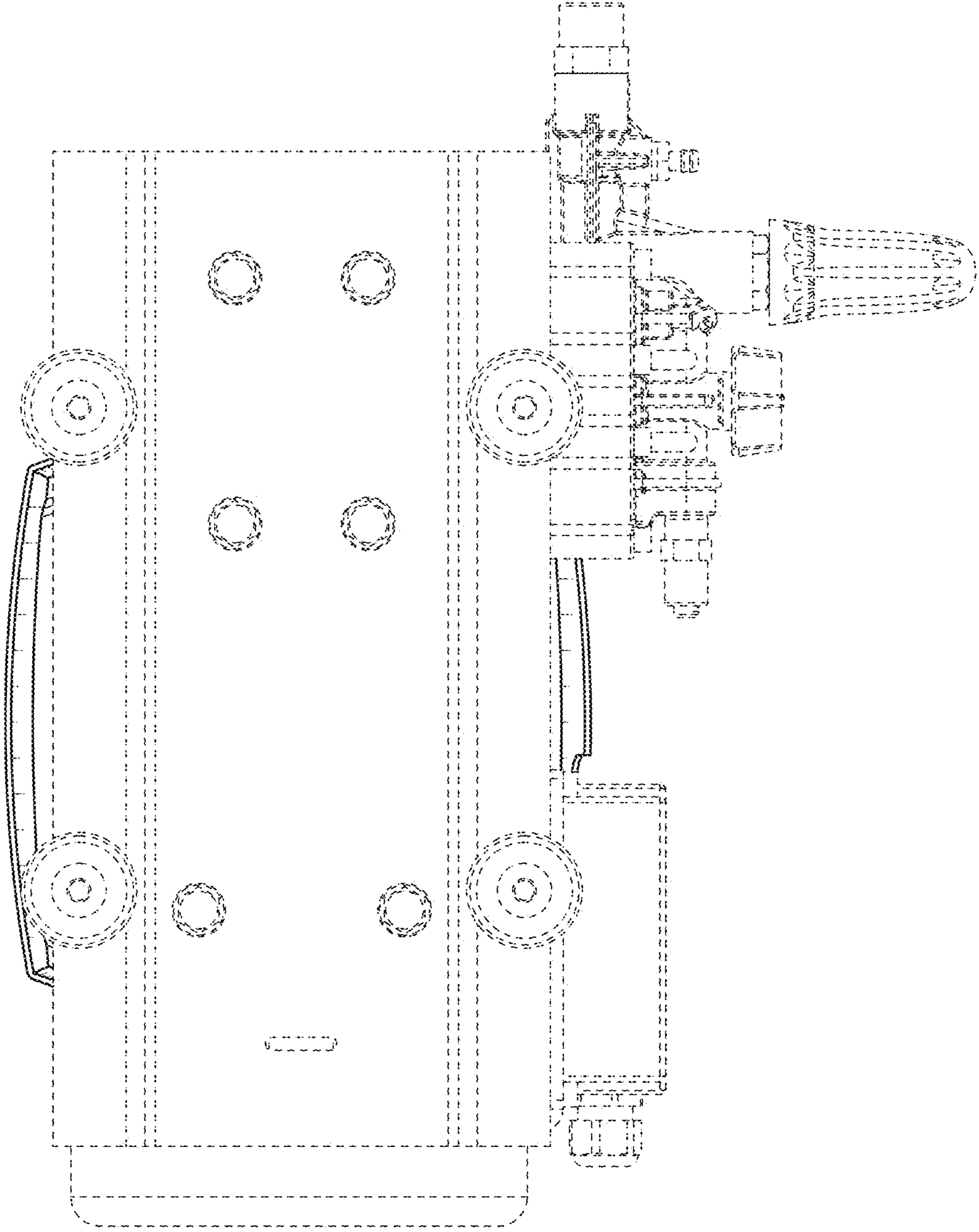


FIG. 12