



US00D946216S

(12) **United States Design Patent**
Xiao et al.

(10) **Patent No.:** **US D946,216 S**
(45) **Date of Patent:** **** Mar. 15, 2022**

(54) **FEEDER**

(71) Applicant: **Guangdong Lin Sheng Intelligent Technology Limited**, Guangdong Province (CN)

(72) Inventors: **Jianglin Xiao**, Dongguan (CN);
Zhanghao Tan, Dongguan (CN);
Kangdeng He, Dongguan (CN)

(**) Term: **15 Years**

(21) Appl. No.: **29/756,484**

(22) Filed: **Oct. 29, 2020**

(30) **Foreign Application Priority Data**

Sep. 30, 2020 (CN) 202030594346.5

(51) **LOC (13) Cl.** **30-07**

(52) **U.S. Cl.**
USPC **D30/122**

(58) **Field of Classification Search**

USPC D30/121, 122, 129-133, 120; 119/61.5, 119/51.01, 61.56, 51.03, 59, 62, 63, 51.5, 119/57.8, 74, 61.54, 61.55, 53, 53.5, 75, 119/56.2, 51.02, 51.11, 51.12, 57.1, 52.1, 119/515; 312/204; 248/151, 188; 108/153.1-157; 220/23.87, 630, 737, 220/743, 9.4, 495.01, 574, 212, 255, 220/23.83; 206/515; D7/586, 543, D7/550.1, 587, 505, 584, 545, 500, D7/553.1-553.8, 546, 555, 556, 504, 565, D7/562, 602, 605, 312, 313, 320, 307, D7/306, 309, 354, 311, 399, 397, 323, D7/332, 331, 347, 346, 322, 318, 317, D7/316, 619.1; D9/429; 43/109; D22/122; 99/430, DIG. 15, 280, 285, 99/312; 222/209, 131, 363, 349, 517, 222/153.13, 401, 1, 146.5, 23, 54, 64, 51, 222/156, 399, 400.8; 219/438, 439, 441, 219/385, 386, 402, 407; 210/94, 184, 210/474, 477; D21/578; D15/199

CPC A01K 5/02; A01K 5/0225; A01K 5/0114; A01K 5/025; A01K 5/0266; A01K 5/0275; A01K 5/0283; A01K 5/0291; A01K 5/0258; A01K 5/0142; A01K 5/0233; A01K 29/00; A01K 7/00; G01F 11/24; G01F 23/02; B67D 1/0425; B67D 1/04; B67D 1/00; B67D 1/02; B67D 1/0871; B67D 1/0802; A47J 41/0033; A47J 41/005; A47J 41/0088; A47J 41/0094; A47J 31/04; A47J 31/053; B05B 11/00; B05B 11/0002; B05B

(Continued)

(56) **References Cited**

U.S. PATENT DOCUMENTS

3,112,733 A * 12/1963 Arnott A01K 7/02 119/77
3,720,184 A * 3/1973 Pearce A01K 5/0225 119/51.5
D232,847 S * 9/1974 Okubo D30/121
(Continued)

Primary Examiner — Susan Moon Lee

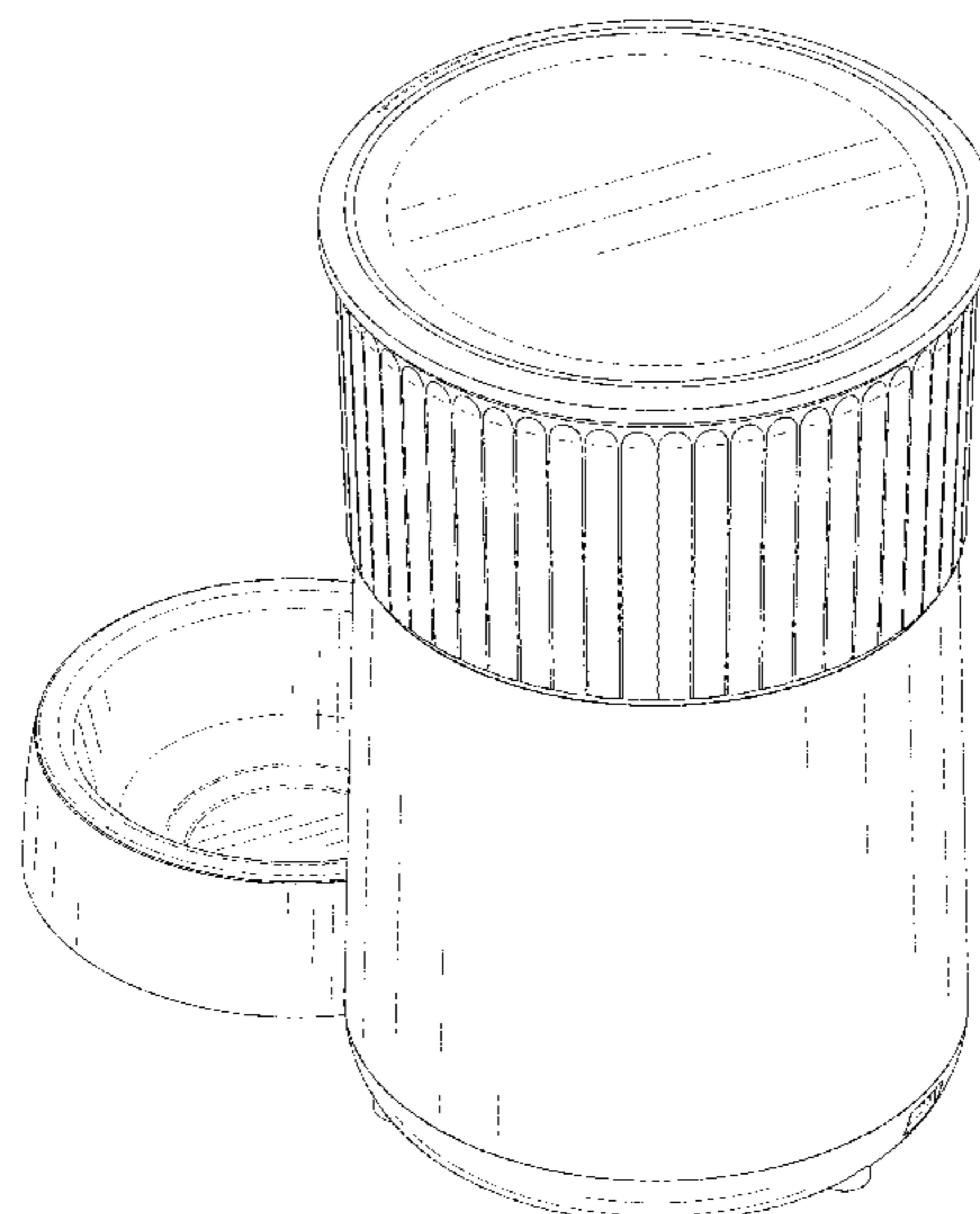
(57) **CLAIM**

The ornamental design for a feeder, as shown and described.

DESCRIPTION

FIG. 1 is a front and top perspective view of a feeder, showing our new design;
FIG. 2 is a rear and bottom perspective view thereof;
FIG. 3 is a front elevational view thereof;
FIG. 4 is a rear elevational view thereof;
FIG. 5 is a left side elevational view thereof;
FIG. 6 is a right side elevational view thereof;
FIG. 7 is a top plan view thereof; and,
FIG. 8 is a bottom plan view thereof.
The broken lines in the figures illustrate portions of the article that form no part of the claimed design.

1 Claim, 8 Drawing Sheets



(58) **Field of Classification Search**
 CPC 11/0005; B05B 11/001; C02F 1/003; C02F
 1/283; C02F 2307/02
 See application file for complete search history.

(56) **References Cited**

U.S. PATENT DOCUMENTS

4,840,143 A * 6/1989 Simon A01K 5/0225
 119/52.1
 5,333,571 A * 8/1994 Re A01K 5/0291
 119/56.1
 D351,689 S * 10/1994 VanSkiver D30/121
 D371,643 S * 7/1996 Lillelund D30/122
 5,845,600 A * 12/1998 Mendes A01K 7/02
 119/51.5
 6,477,981 B1 * 11/2002 Harper A01K 5/0114
 119/51.01
 6,880,484 B1 * 4/2005 Lee A01G 27/02
 119/74
 D540,492 S * 4/2007 Gorr D30/131
 7,228,816 B2 * 6/2007 Turner A01K 5/02
 119/51.02
 D581,197 S * 11/2008 Kassenaar D7/306
 D602,301 S * 10/2009 Romandy 313/309
 7,895,973 B1 * 3/2011 Whelan A01K 5/025
 119/51.02

7,926,413 B2 * 4/2011 Hart A47J 31/4403
 99/279
 D645,286 S * 9/2011 Porebski D7/306
 D682,484 S * 5/2013 Selman D30/132
 8,925,485 B2 * 1/2015 Pu A01K 5/0291
 119/51.02
 D751,774 S * 3/2016 Allen D30/122
 9,560,833 B2 * 2/2017 Qiu A01K 5/0114
 9,560,834 B2 * 2/2017 Ma A01K 5/0291
 D814,714 S * 4/2018 Simon D30/122
 D840,115 S * 2/2019 Nieves D30/122
 D852,431 S * 6/2019 Ma D30/122
 11,160,253 B2 * 11/2021 Mundell G06F 3/167
 2005/0217591 A1 * 10/2005 Turner A01K 5/0114
 119/51.02
 2007/0012253 A1 * 1/2007 Zheng A01K 5/0291
 119/51.02
 2007/0193524 A1 * 8/2007 Turner A01K 5/025
 119/51.02
 2011/0197819 A1 * 8/2011 Montgomery A01K 5/0225
 119/51.11
 2016/0007564 A1 * 1/2016 Ma A01K 5/0114
 119/57.1
 2019/0059322 A1 * 2/2019 Xu A01K 5/0225
 2020/0275634 A1 * 9/2020 Griswold A01K 5/0225
 2021/0282367 A1 * 9/2021 Yuan G08B 21/182
 2021/0315185 A1 * 10/2021 Qiu A01K 5/0291

* cited by examiner

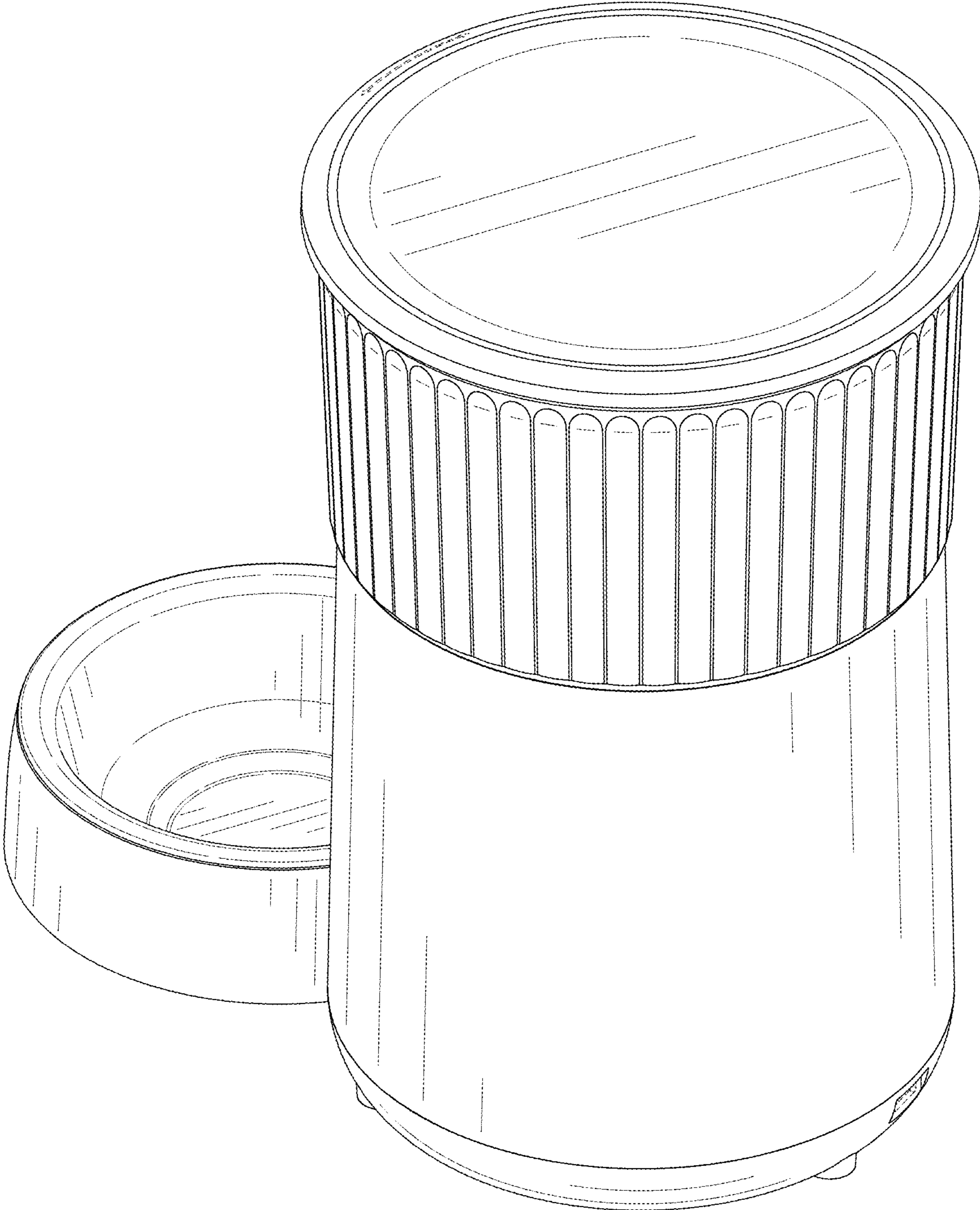


FIG. 1

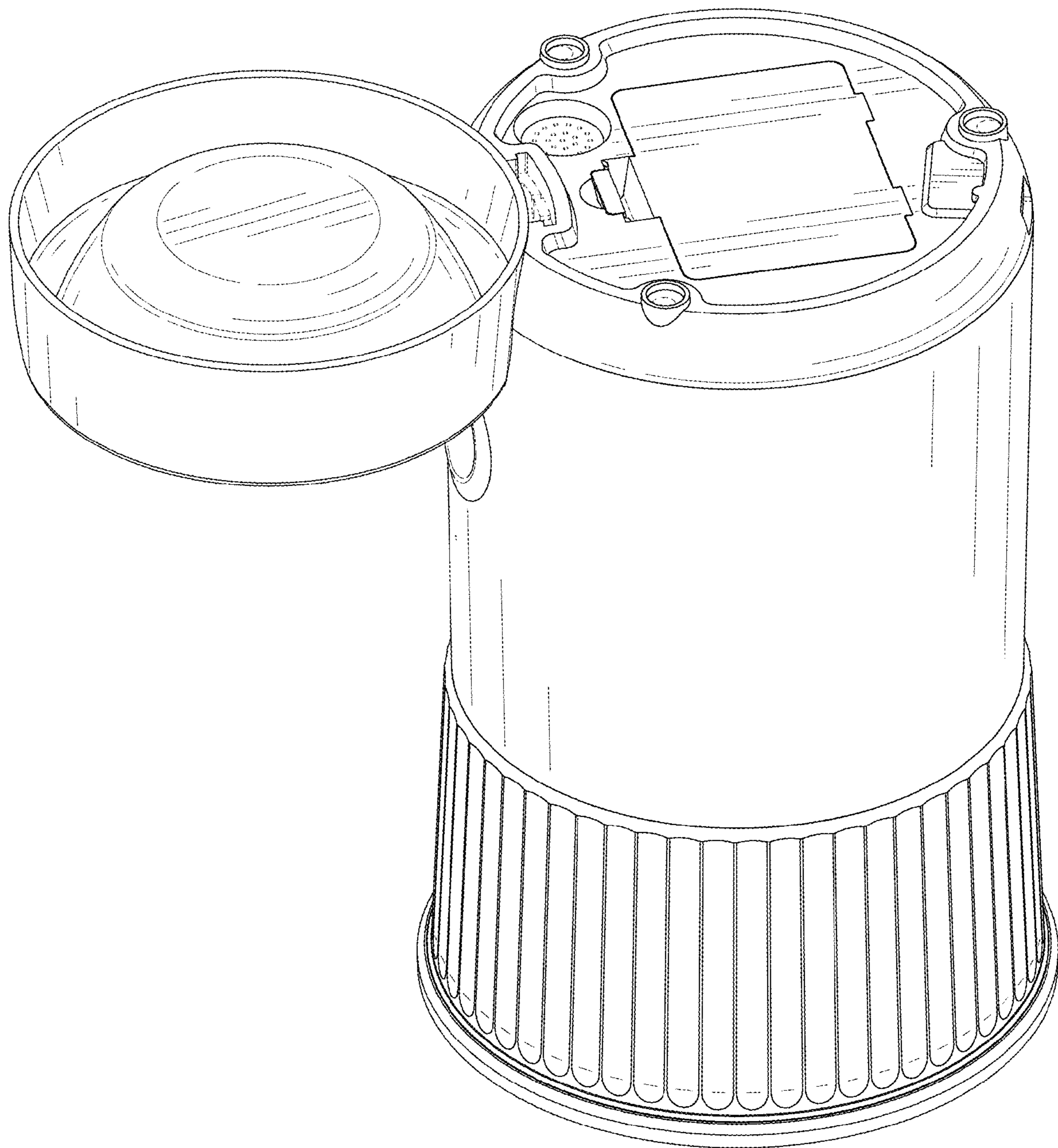


FIG. 2

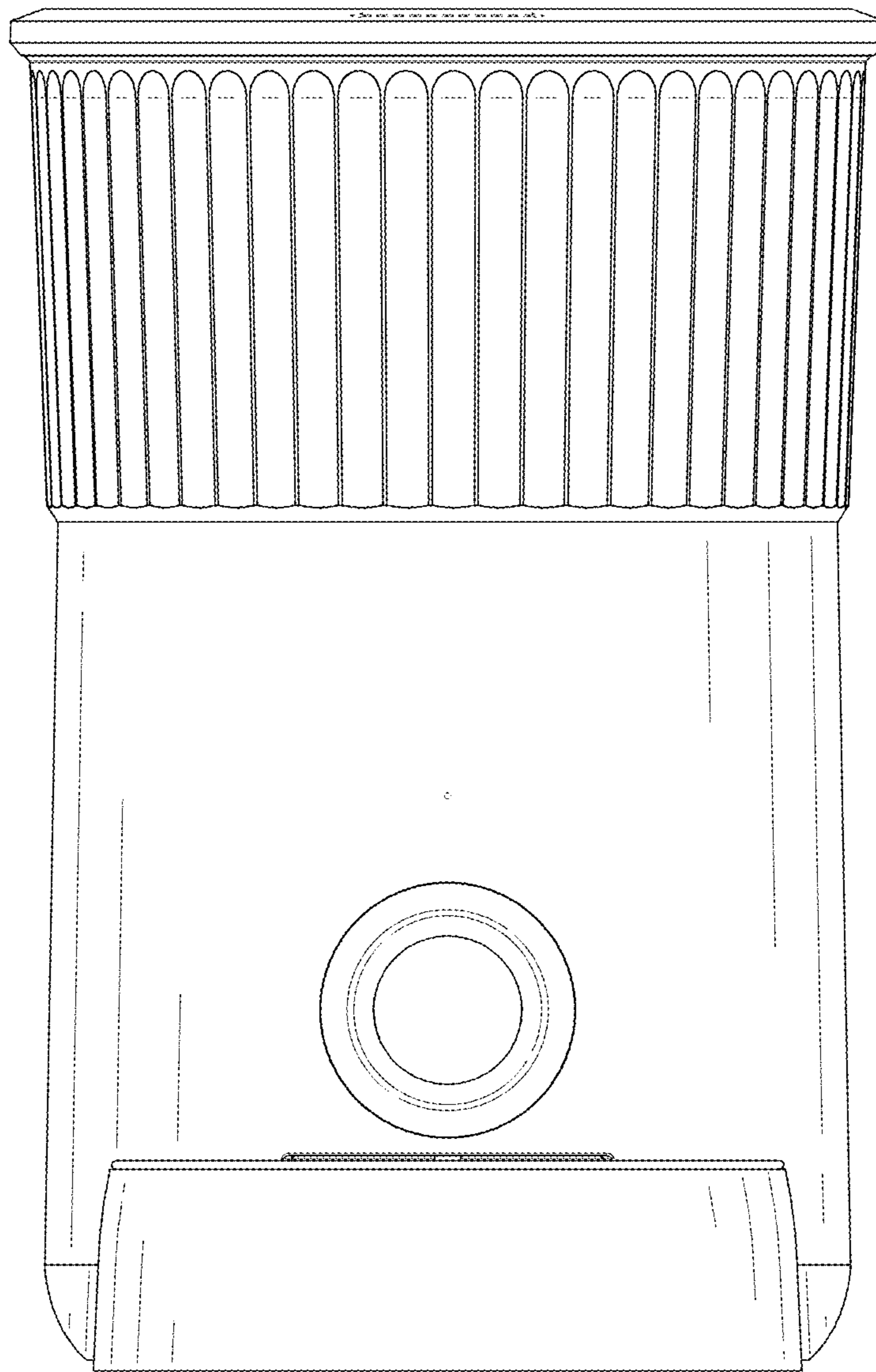


FIG. 3

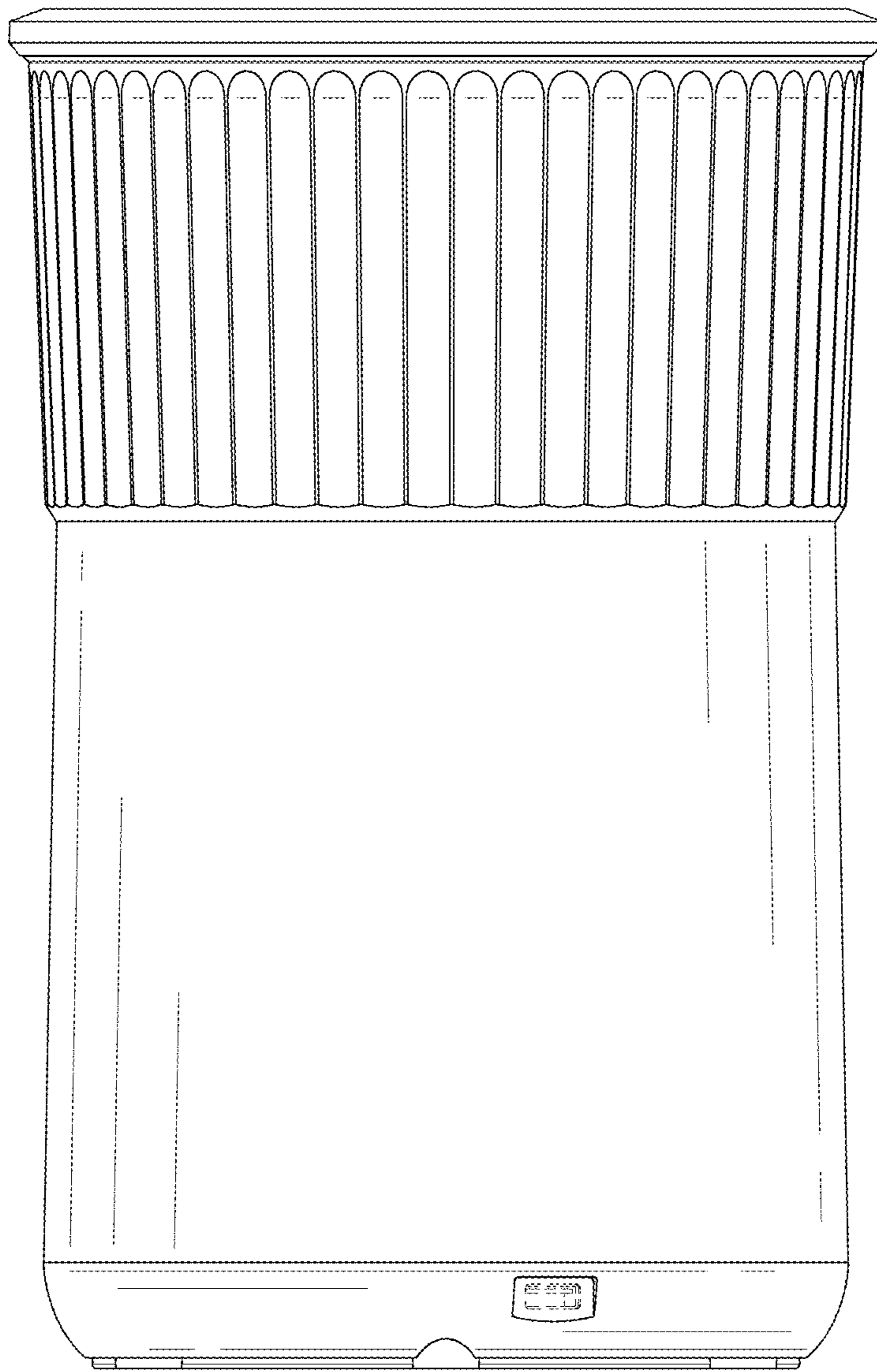


FIG. 4

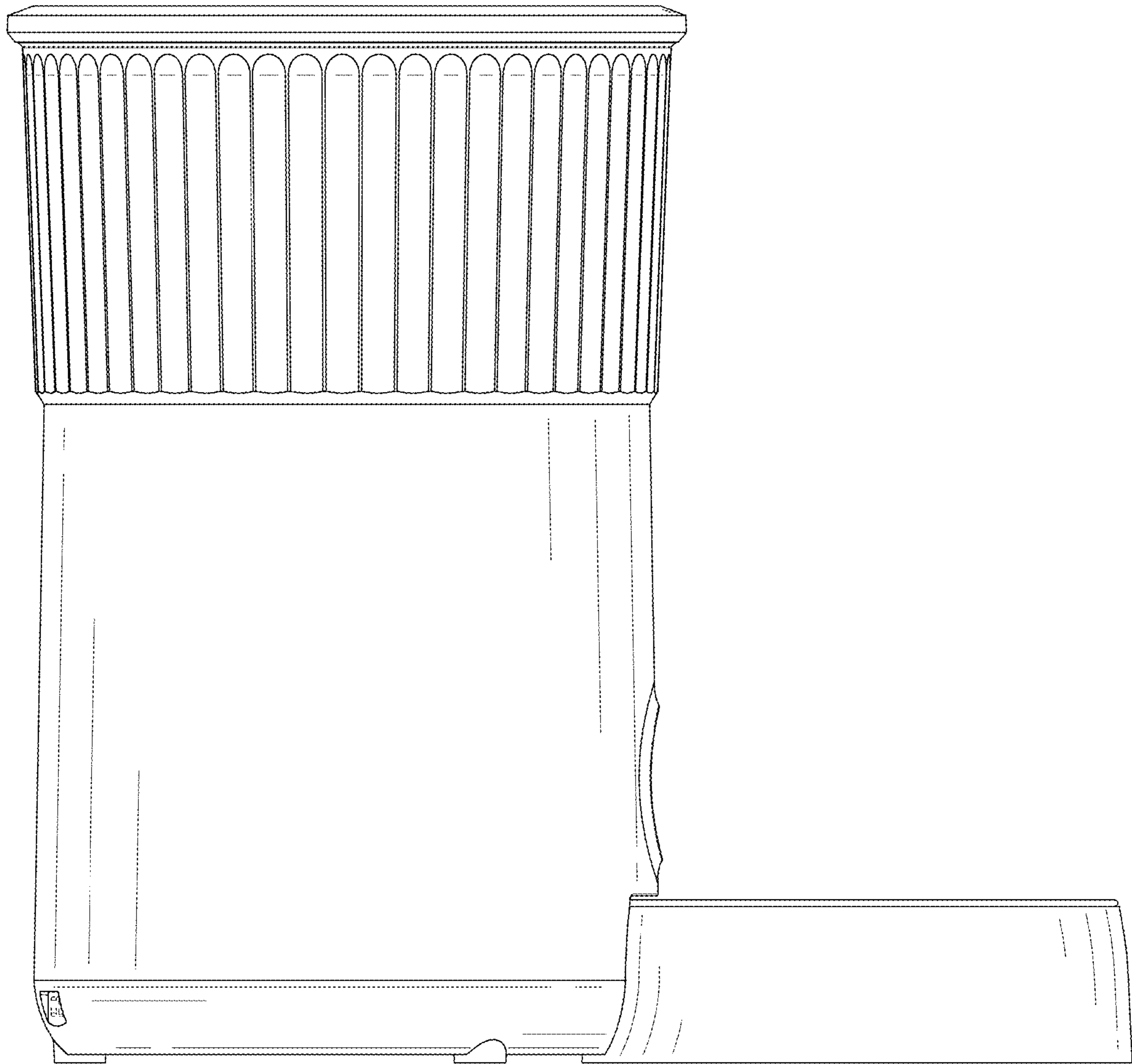


FIG. 5

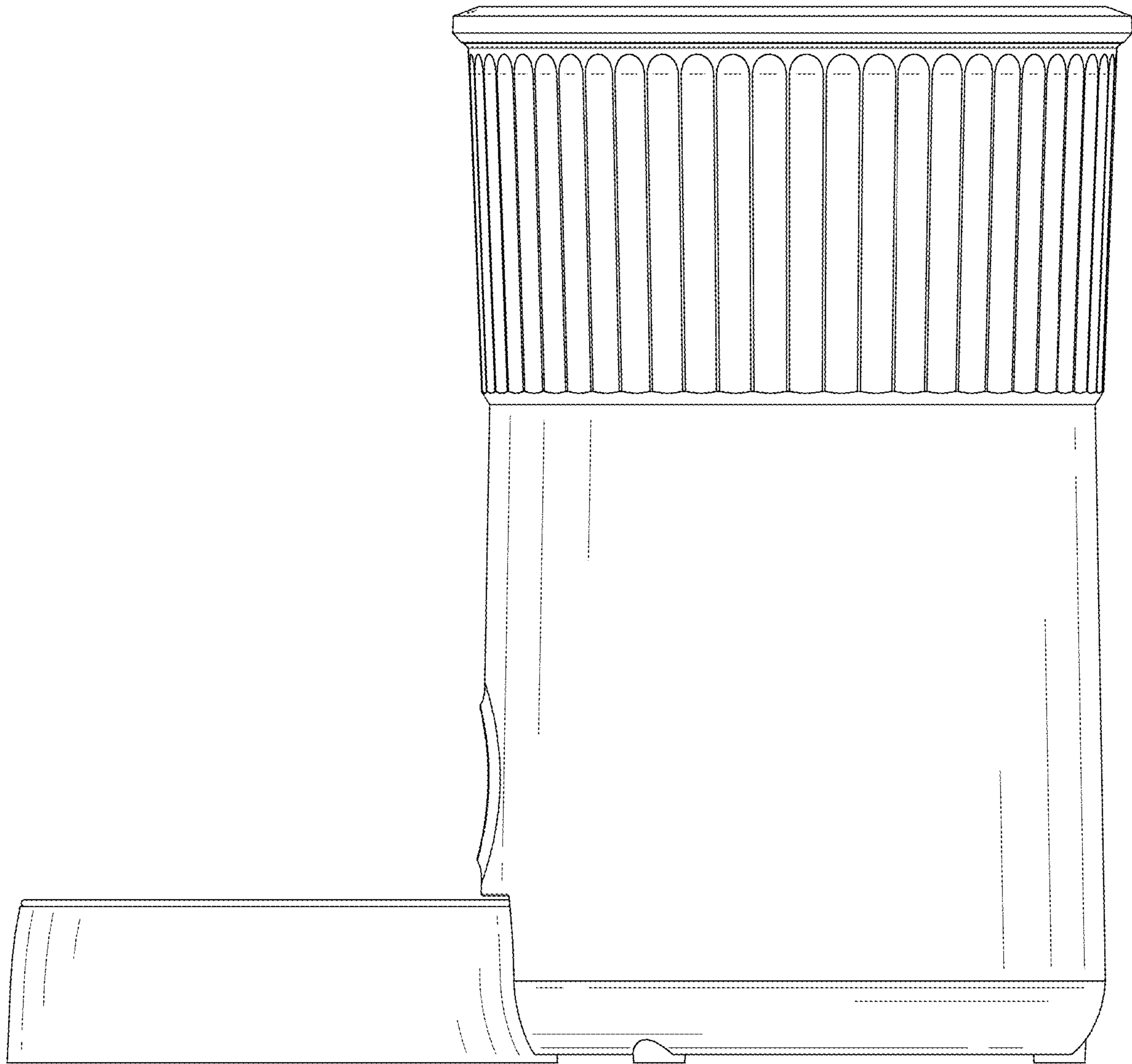


FIG. 6

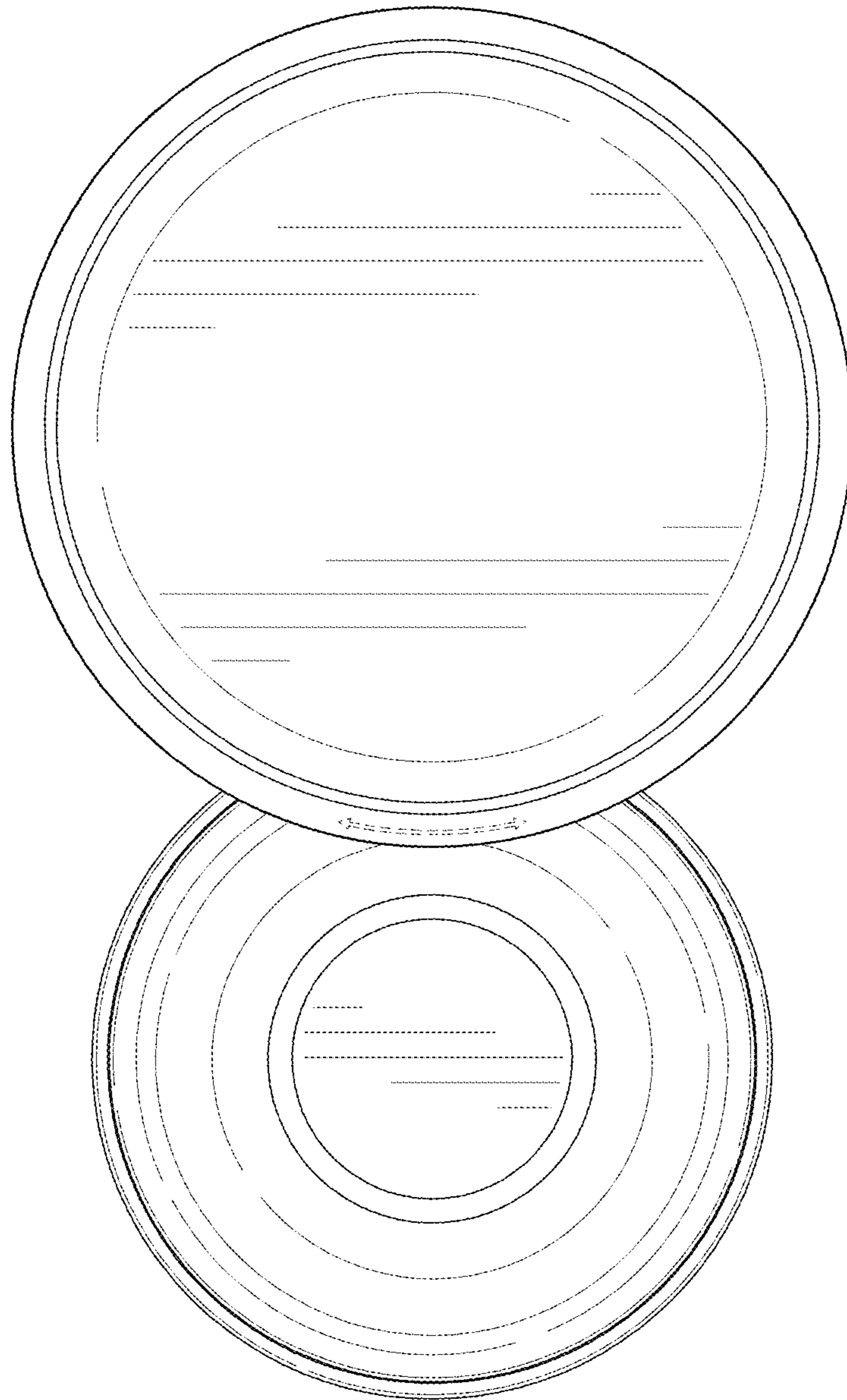


FIG. 7

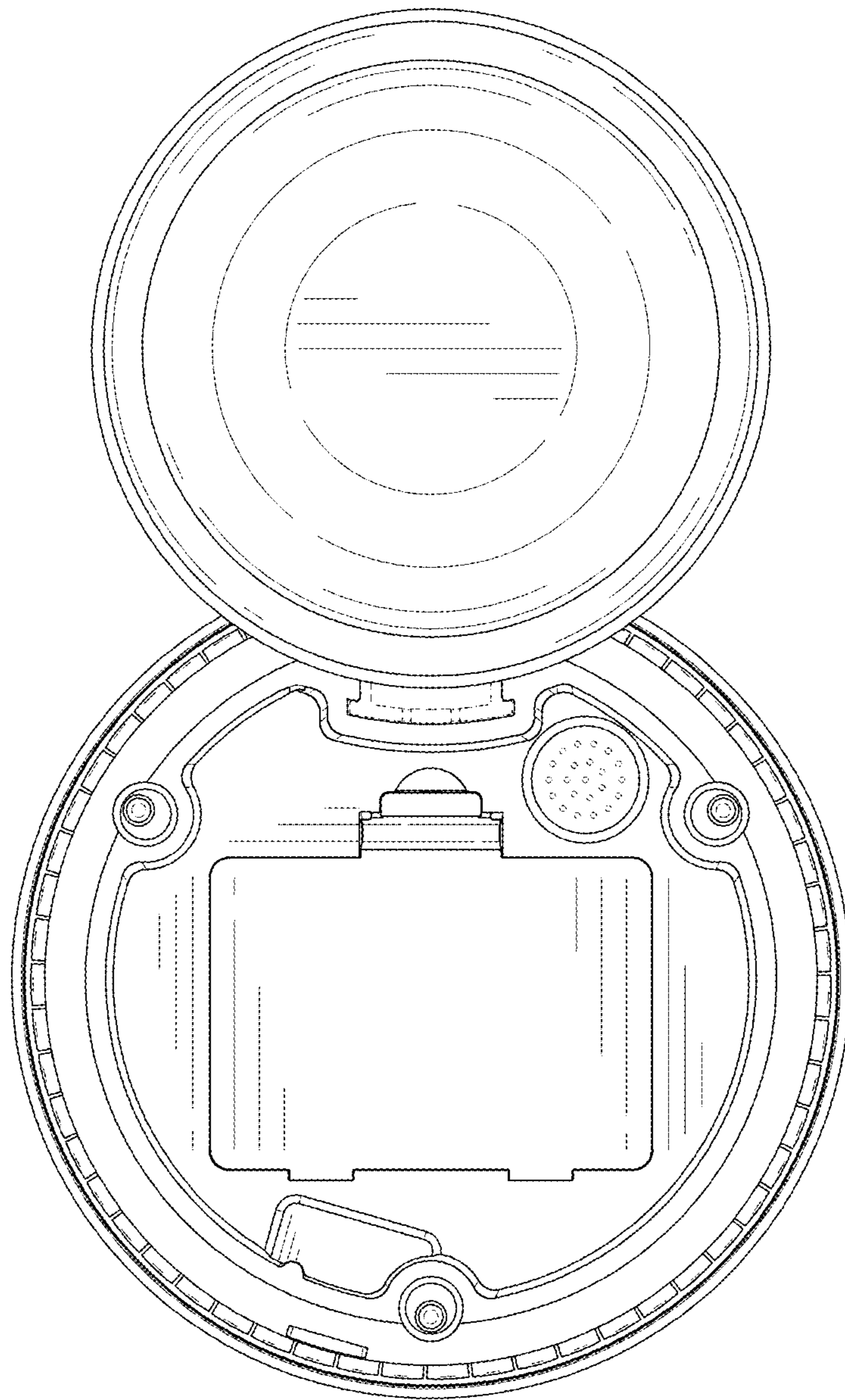


FIG. 8