



US00D946210S

(12) **United States Design Patent**
Xiao et al.

(10) **Patent No.:** **US D946,210 S**
(45) **Date of Patent:** **** Mar. 15, 2022**

(54) **HAIR CURLER**

(71) Applicant: **Shenzhen FENDA Technology Co., Ltd**, Shenzhen (CN)

(72) Inventors: **Yong Xiao**, Shenzhen (CN); **Ming Liu**, Shenzhen (CN)

(73) Assignee: **SHENZHEN FENDA TECHNOLOGY CO., LTD.**, Shenzhen (CN)

(**) Term: **15 Years**

(21) Appl. No.: **29/728,549**

(22) Filed: **Mar. 19, 2020**

(30) **Foreign Application Priority Data**

Oct. 16, 2019 (CN) 201930563564.X
Oct. 16, 2019 (CN) 201930563565.4

(51) **LOC (13) Cl.** **28-03**

(52) **U.S. Cl.**
USPC **D28/35; D28/18**

(58) **Field of Classification Search**
USPC D28/35, 37, 38, 99, 10-16, 18; D24/133, D24/146-147, 214
CPC A45D 29/00; A45D 29/02; A45D 29/04; A45D 29/05; A45D 29/11; A45D 29/14; A45D 6/00; A45D 6/02; A45D 6/04; A45D 6/045; A45D 6/06; A45D 6/08; A45D 6/10; A45D 2/00; A45D 2/001; A45D 2/006; A45D 2/02; A45D 2/10; A45D 1/00; A45D

(Continued)

(56) **References Cited**

U.S. PATENT DOCUMENTS

5,626,156 A * 5/1997 Vicory, Sr. A45D 20/12 132/229
6,354,305 B1 * 3/2002 Janouch A45D 1/04 132/207

(Continued)

Primary Examiner — Jennifer Rivard
Assistant Examiner — Alison M Ofstun

(74) *Attorney, Agent, or Firm* — Dinsmore & Shohl LLP

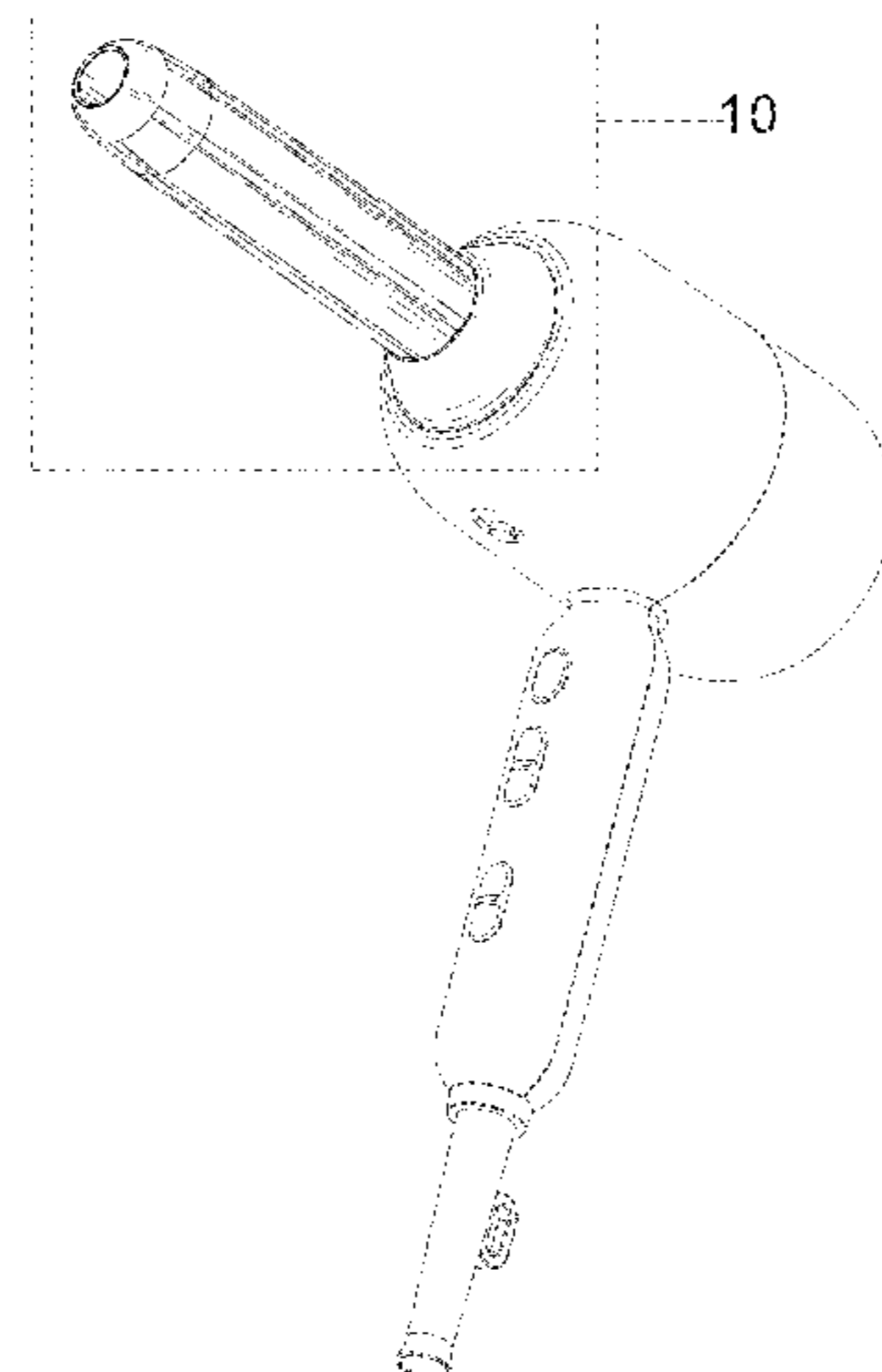
(57) **CLAIM**

The ornamental design for a hair curler, as shown and described.

DESCRIPTION

FIG. 1 is a front left perspective view of a hair curler showing our new design.
FIG. 2 is a rear left perspective view thereof.
FIG. 3 is a front right perspective view thereof.
FIG. 4 is a left side view thereof.
FIG. 5 is a right side view thereof.
FIG. 6 is a front view thereof.
FIG. 7 is a rear view thereof.
FIG. 8 is a top side view thereof.
FIG. 9 is a bottom side view thereof.
FIG. 10 is an enlarged view thereof, taken from portion "10" shown in FIG. 1.
FIG. 11 is an enlarged view thereof, taken from portion "11" shown in FIG. 3.
FIG. 12 is an enlarged view thereof, taken from portion "12" shown in FIG. 4.
FIG. 13 is an enlarged view thereof, taken from portion "13" shown in FIG. 5.
FIG. 14 is an enlarged view thereof, taken from portion "14" shown in FIG. 6.
FIG. 15 is an enlarged view thereof, taken from portion "15" shown in FIG. 8; and,
FIG. 16 is an enlarged view thereof, taken from portion "16" shown in FIG. 9.
In the drawings, the evenly-spaced broken lines illustrate portions of the hair curler which form no part of the claimed design. The dash-dot broken lines illustrate enlarged view indicators and form no part of the claimed design.

1 Claim, 12 Drawing Sheets



(58) **Field of Classification Search**

CPC ... 1/004; A45D 1/04; A45D 1/06; A45D 1/08;
A45D 1/10; A45D 1/14; A45D 1/16;
A45D 1/28; A45D 2002/025; A45D 4/00;
A45D 7/02

See application file for complete search history.

(56) **References Cited**

U.S. PATENT DOCUMENTS

8,132,571	B1 *	3/2012	Jackson	A45D 1/04 132/211
D840,596	S *	2/2019	Kwok	D28/35
D840,598	S *	2/2019	Kwok	D28/35
D865,209	S *	10/2019	Nichols	D24/214
D874,723	S *	2/2020	Zeng	D28/35
2002/0189630	A1 *	12/2002	Gray	A45D 2/18 132/233
2016/0206071	A1 *	7/2016	Lee	A45D 1/28
2017/0273421	A1 *	9/2017	Heffer	A45D 1/00
2018/0000216	A1 *	1/2018	Gonzalez	A45D 2/001
2018/0360185	A1 *	12/2018	Yates	A45D 7/02

* cited by examiner

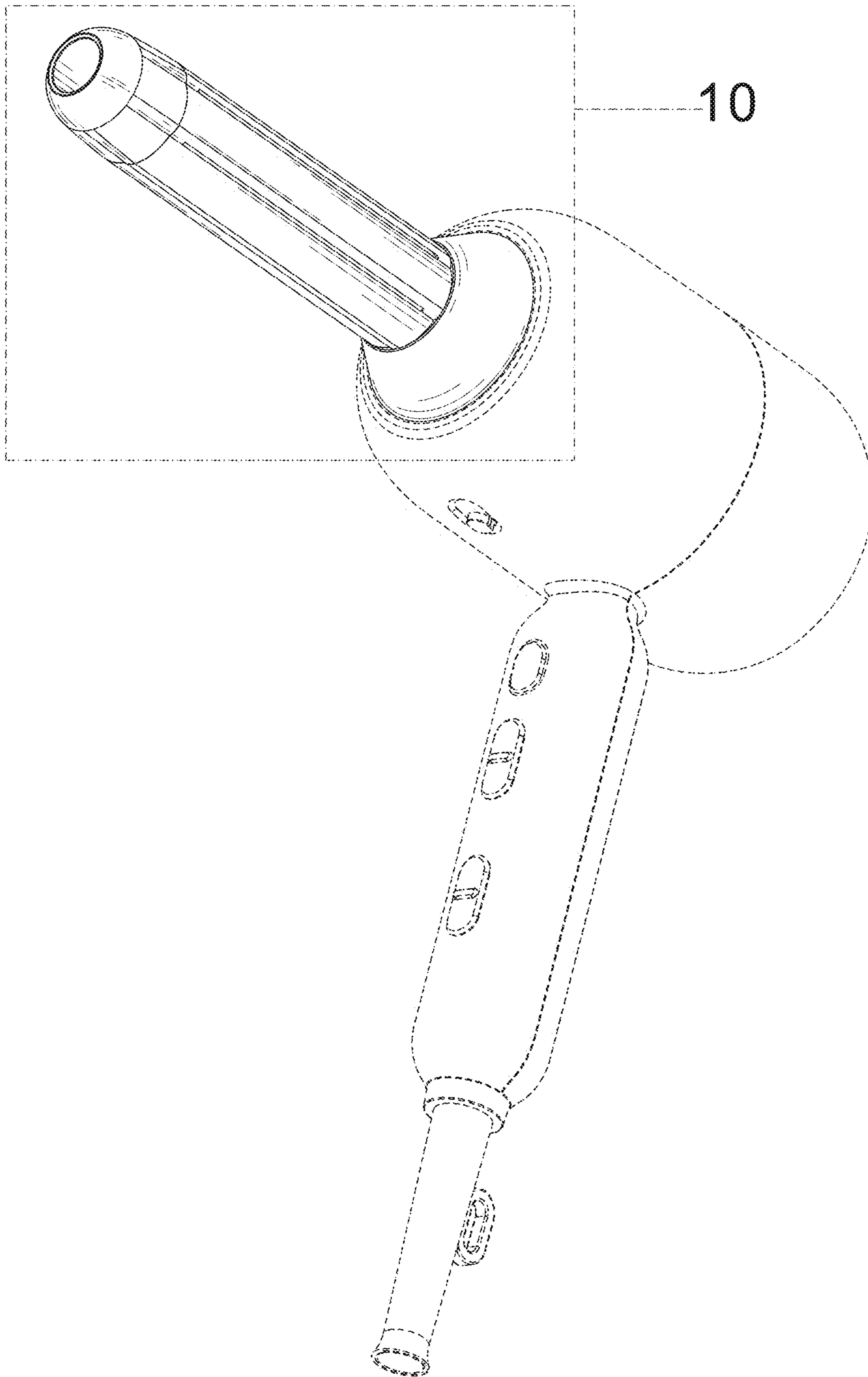


FIG. 1

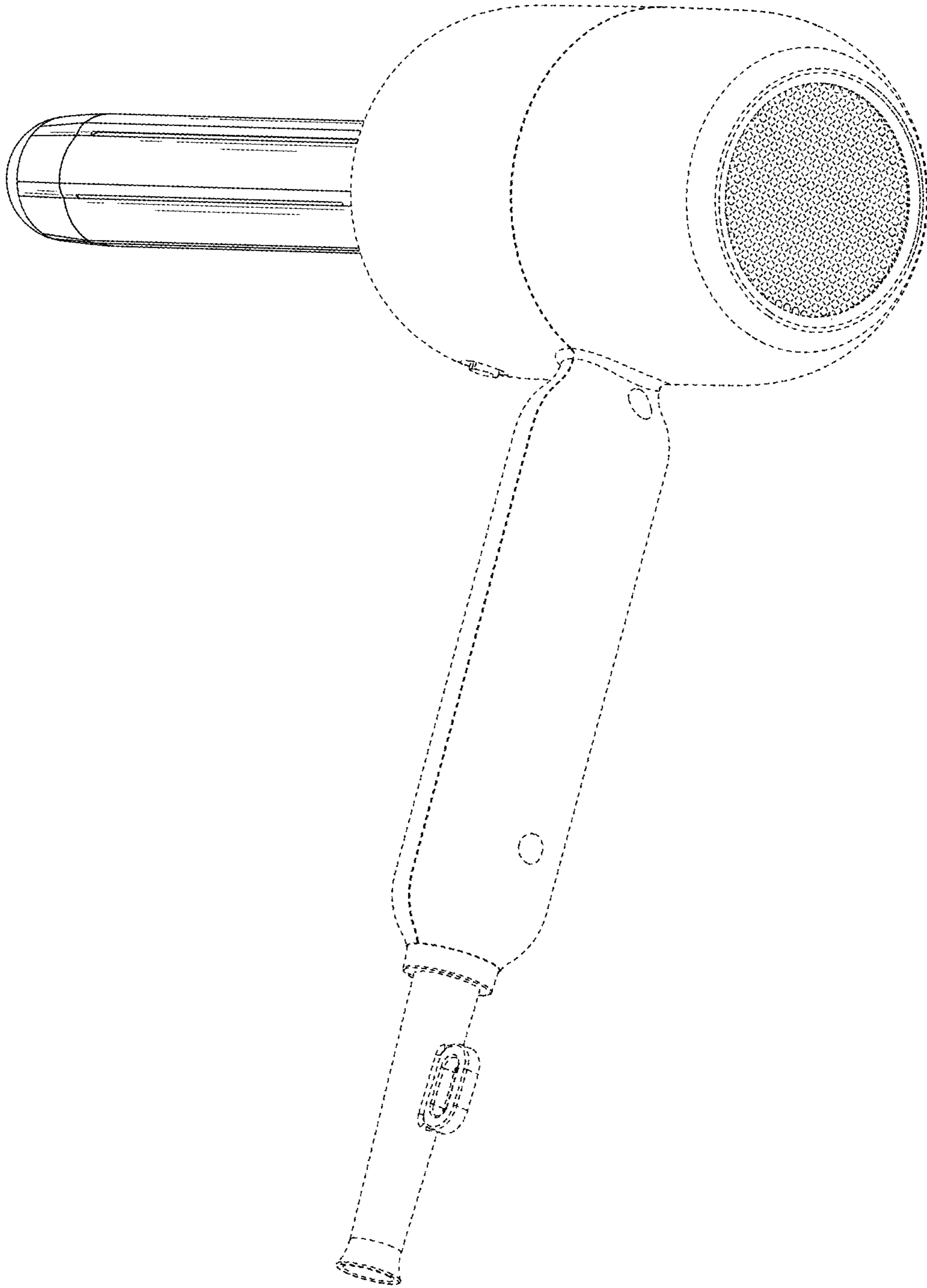


FIG. 2

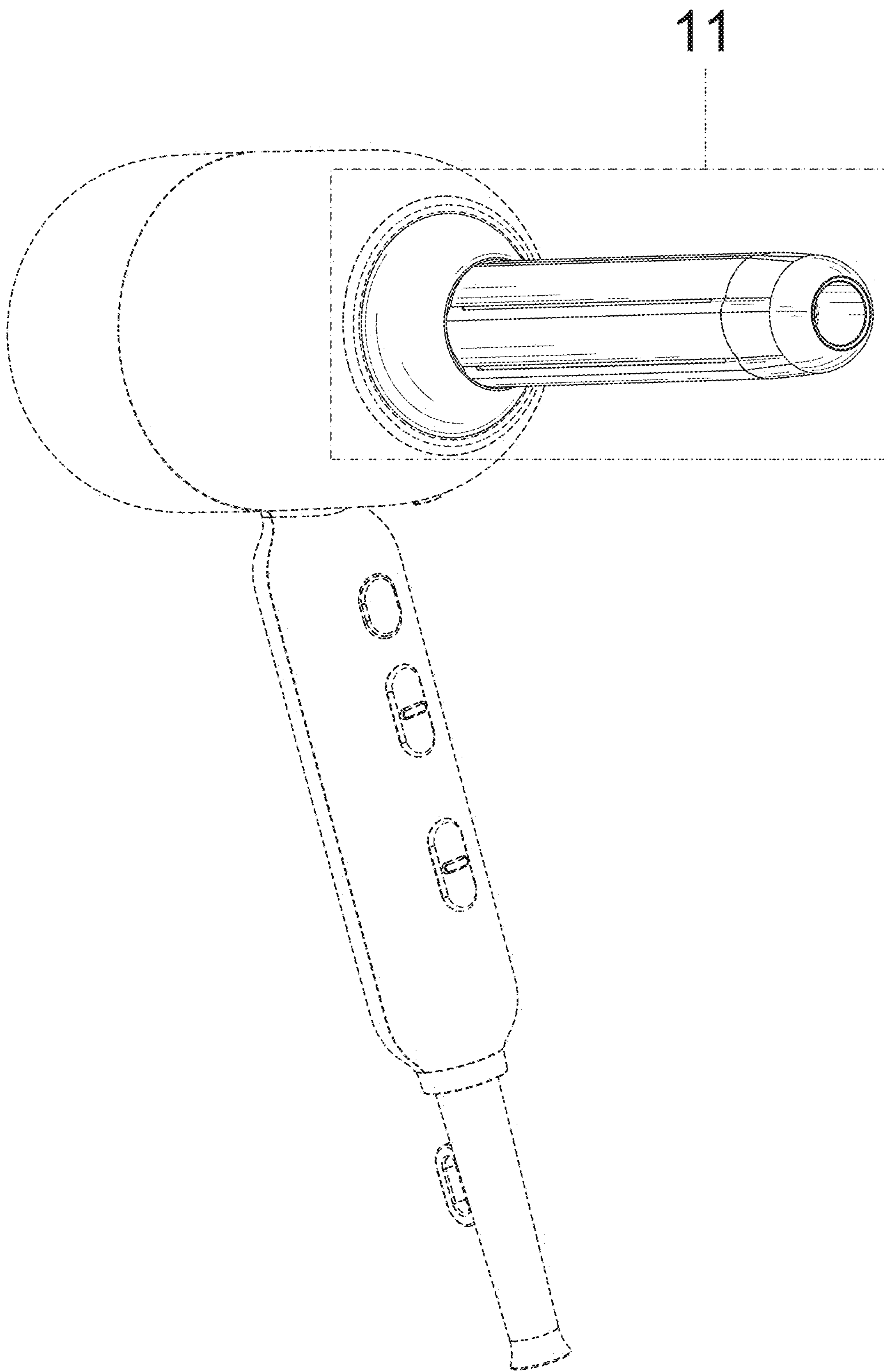


FIG. 3

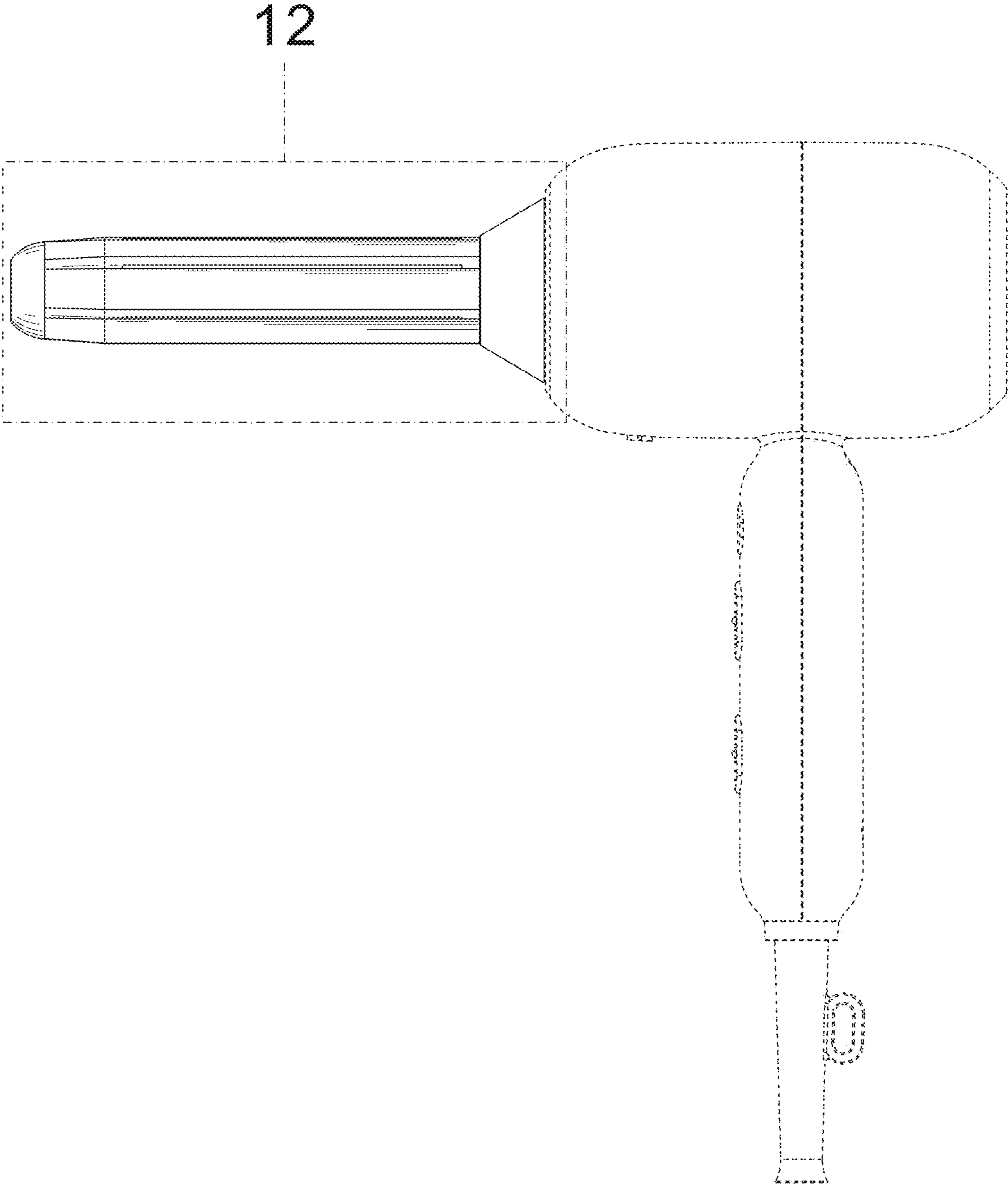


FIG. 4

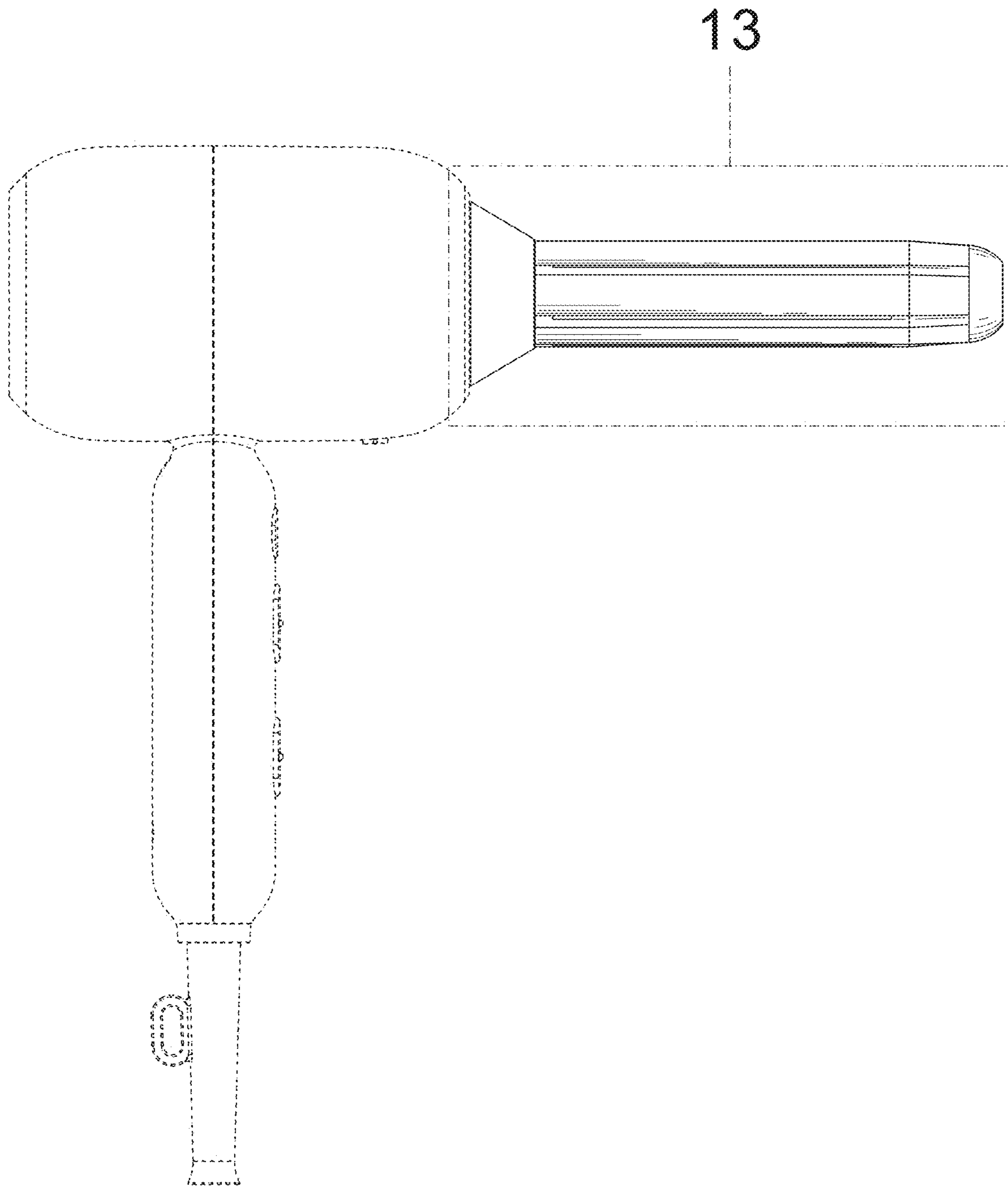


FIG. 5

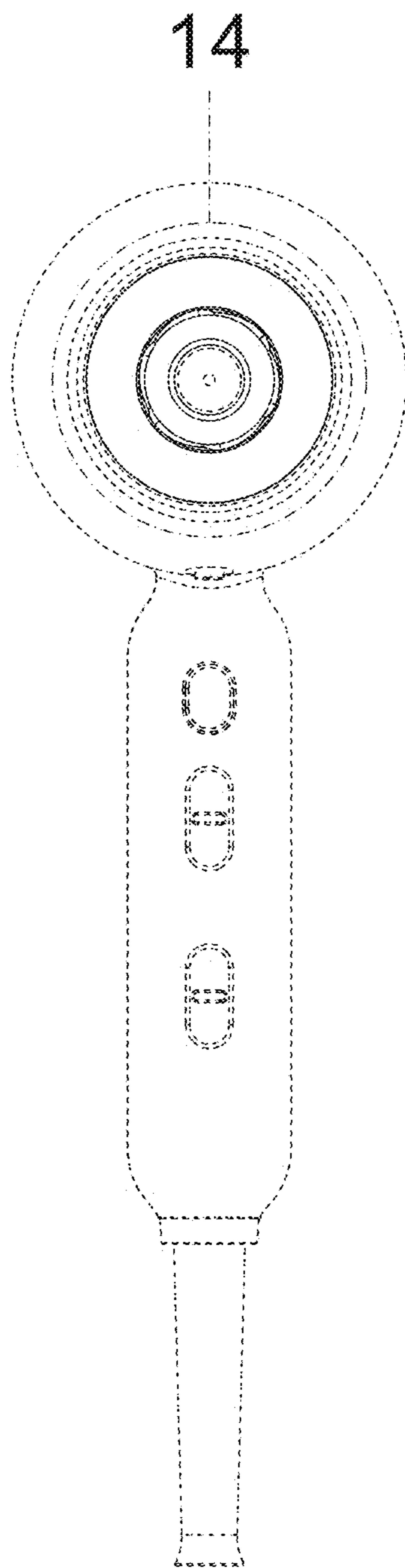


FIG. 6

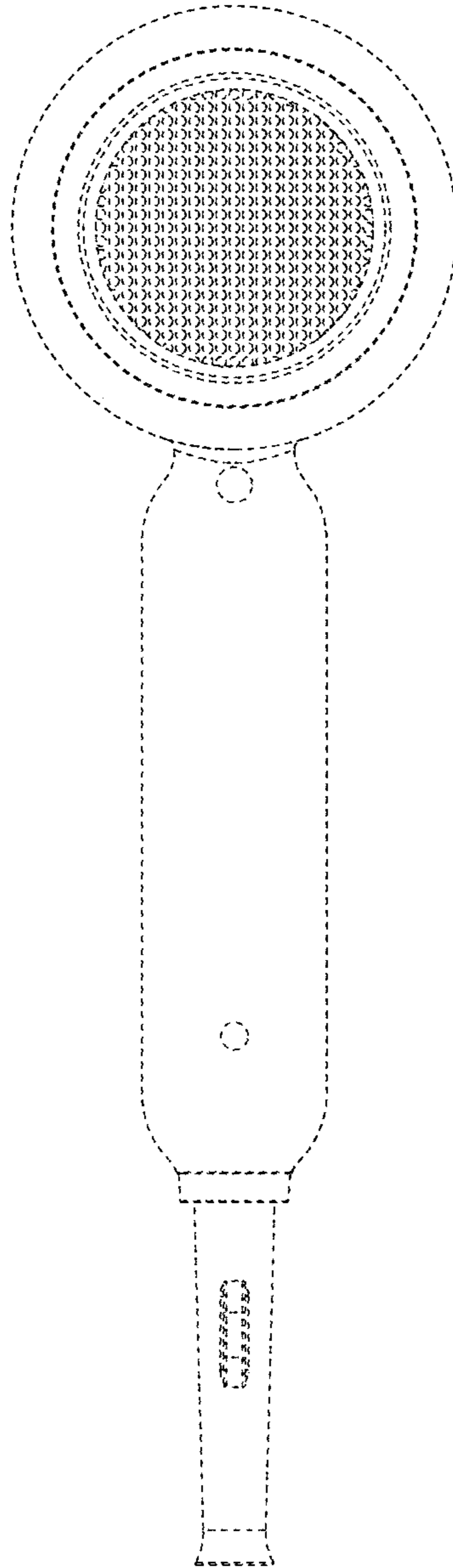


FIG. 7

15

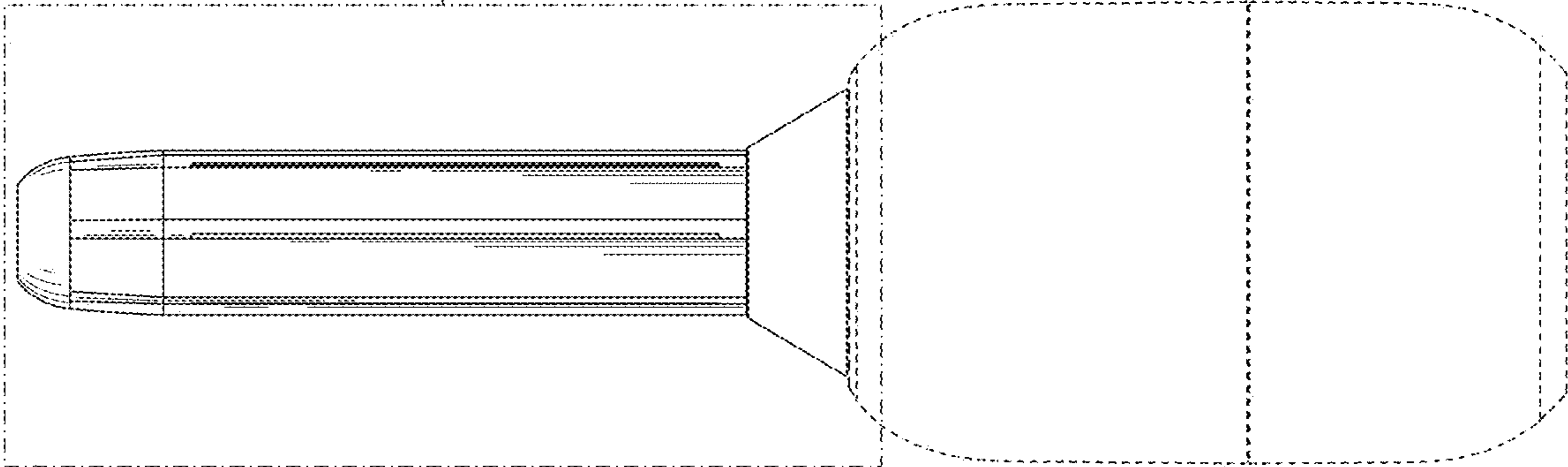


FIG. 8

16

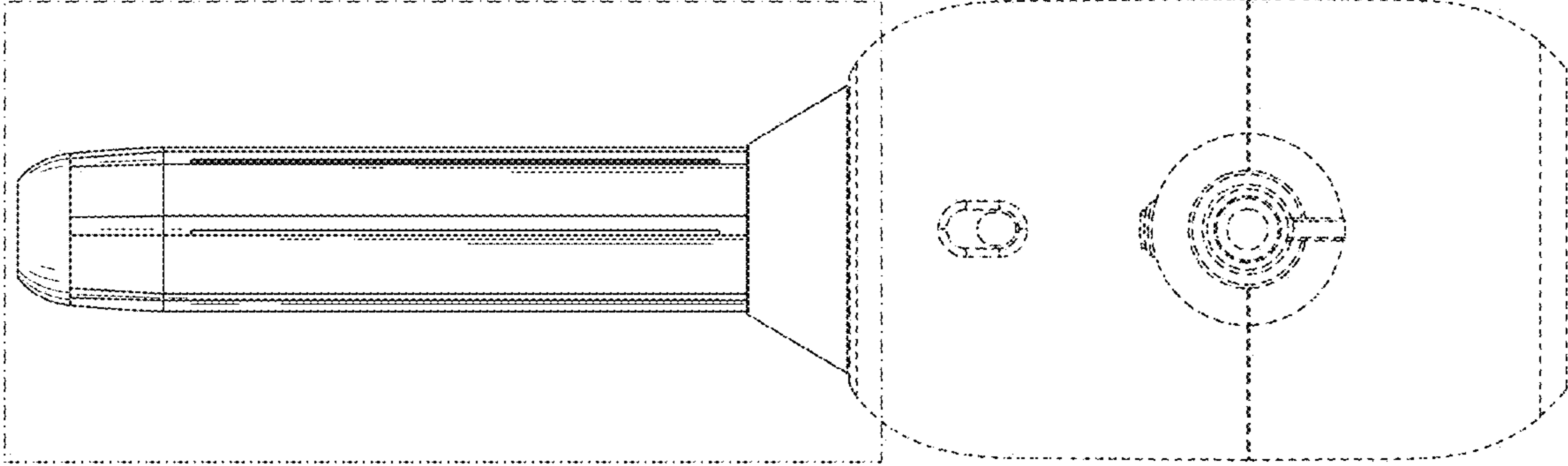


FIG. 9

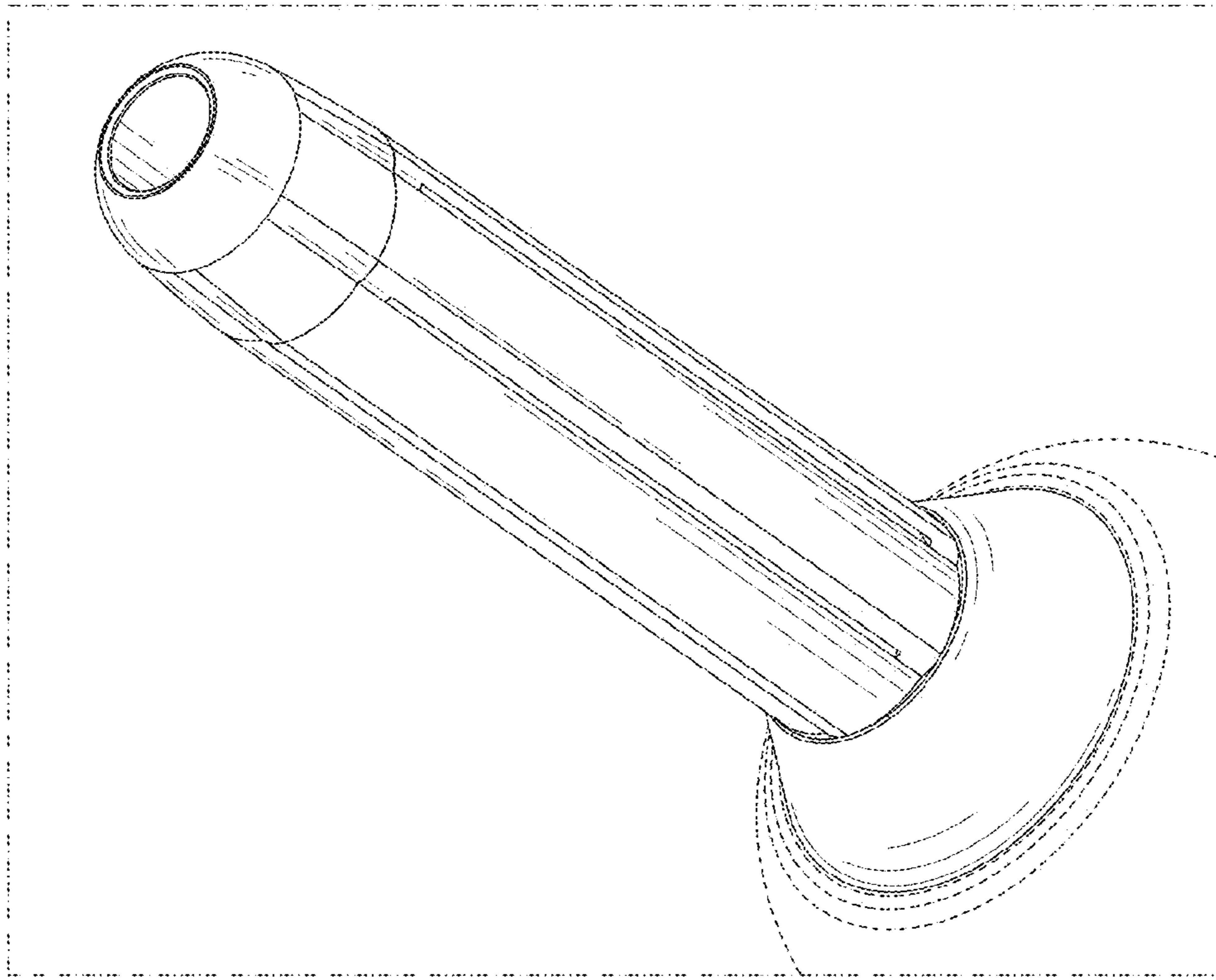


FIG. 10

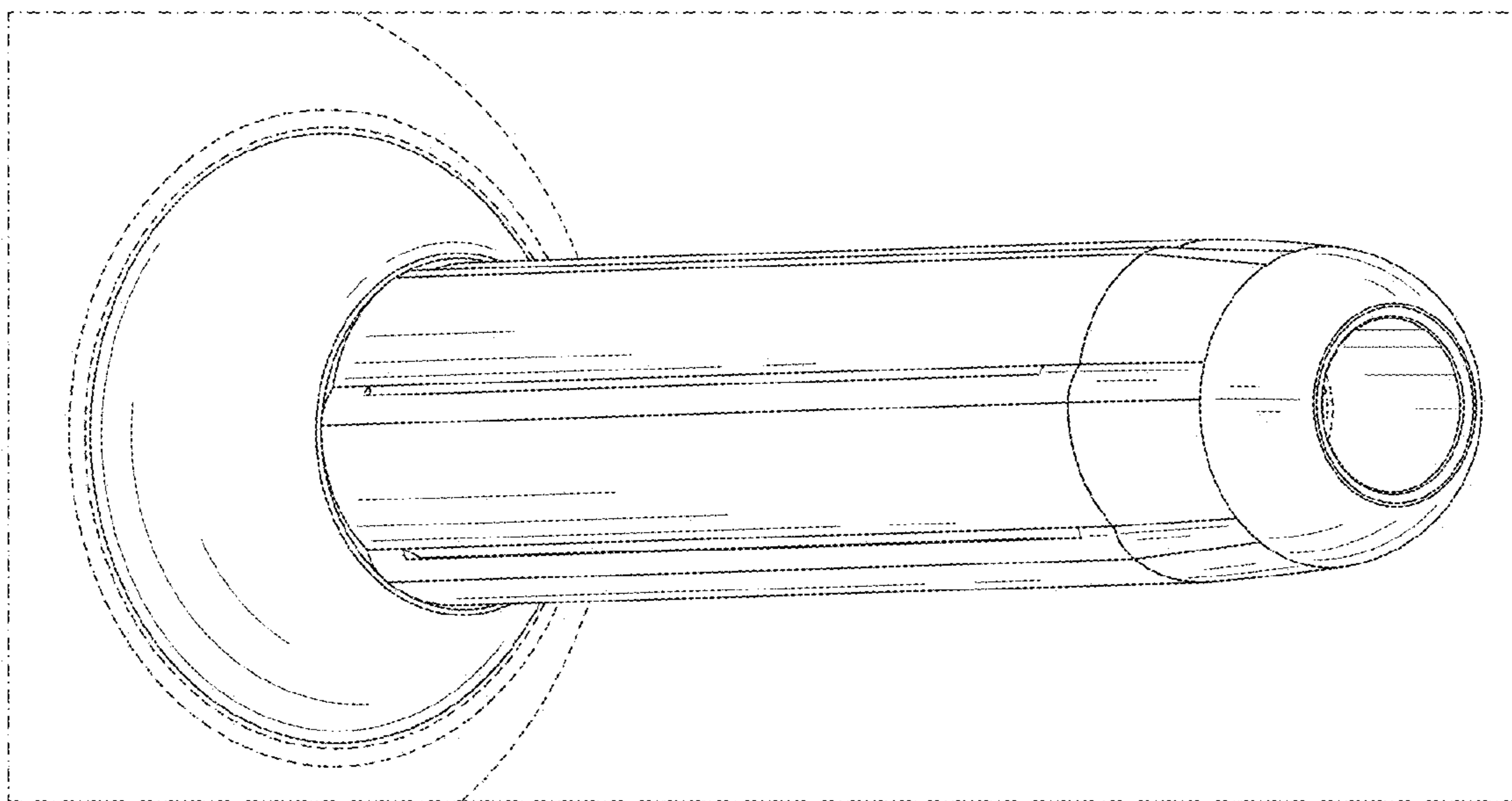


FIG. 11

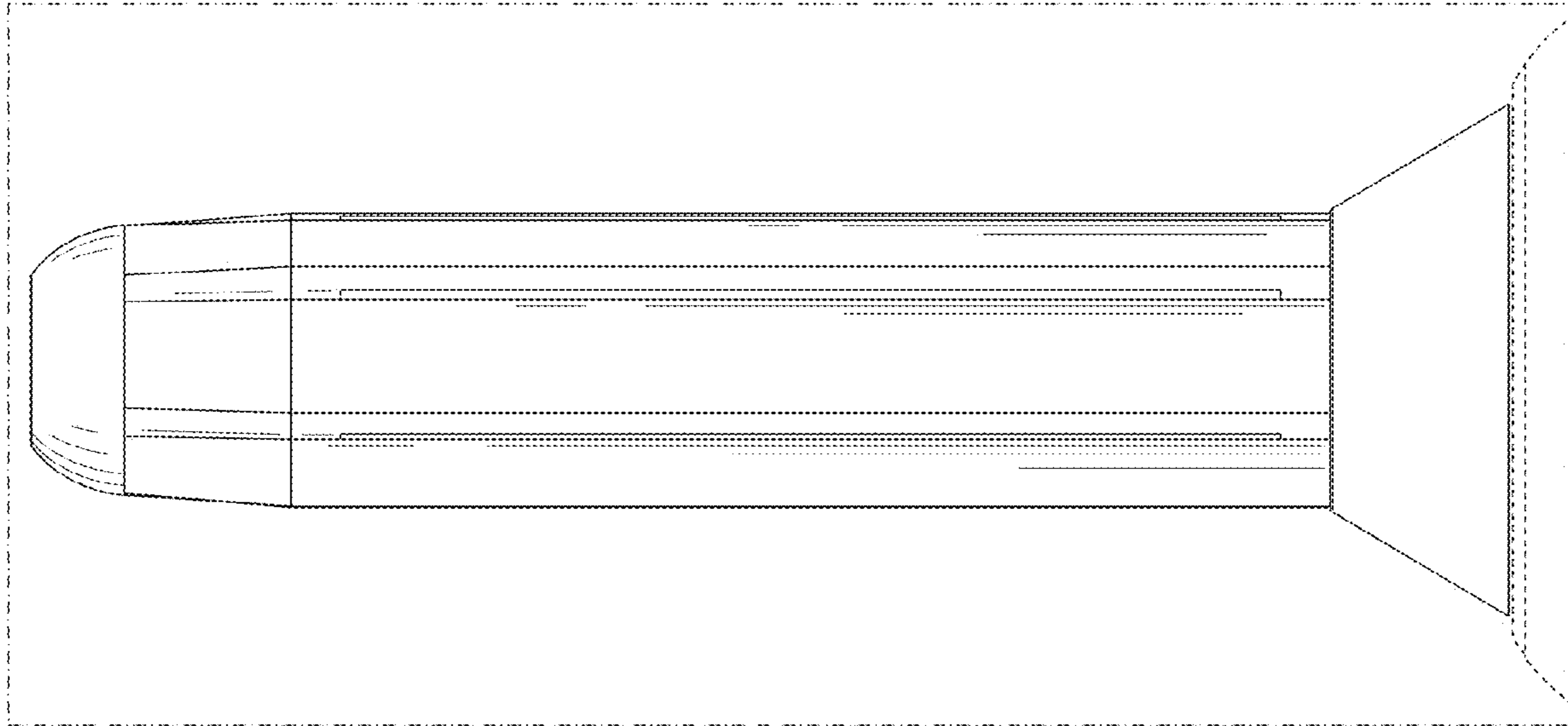


FIG. 12

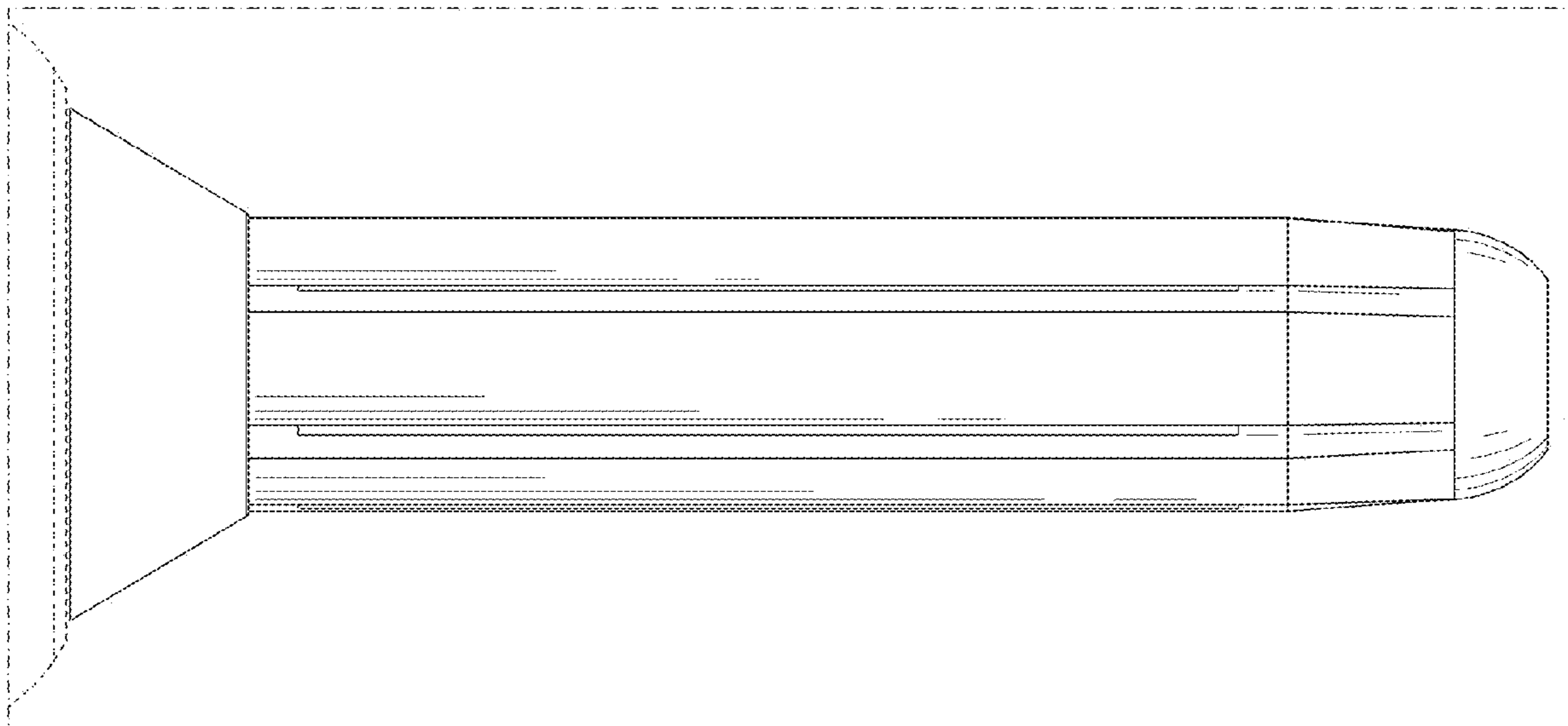


FIG. 13

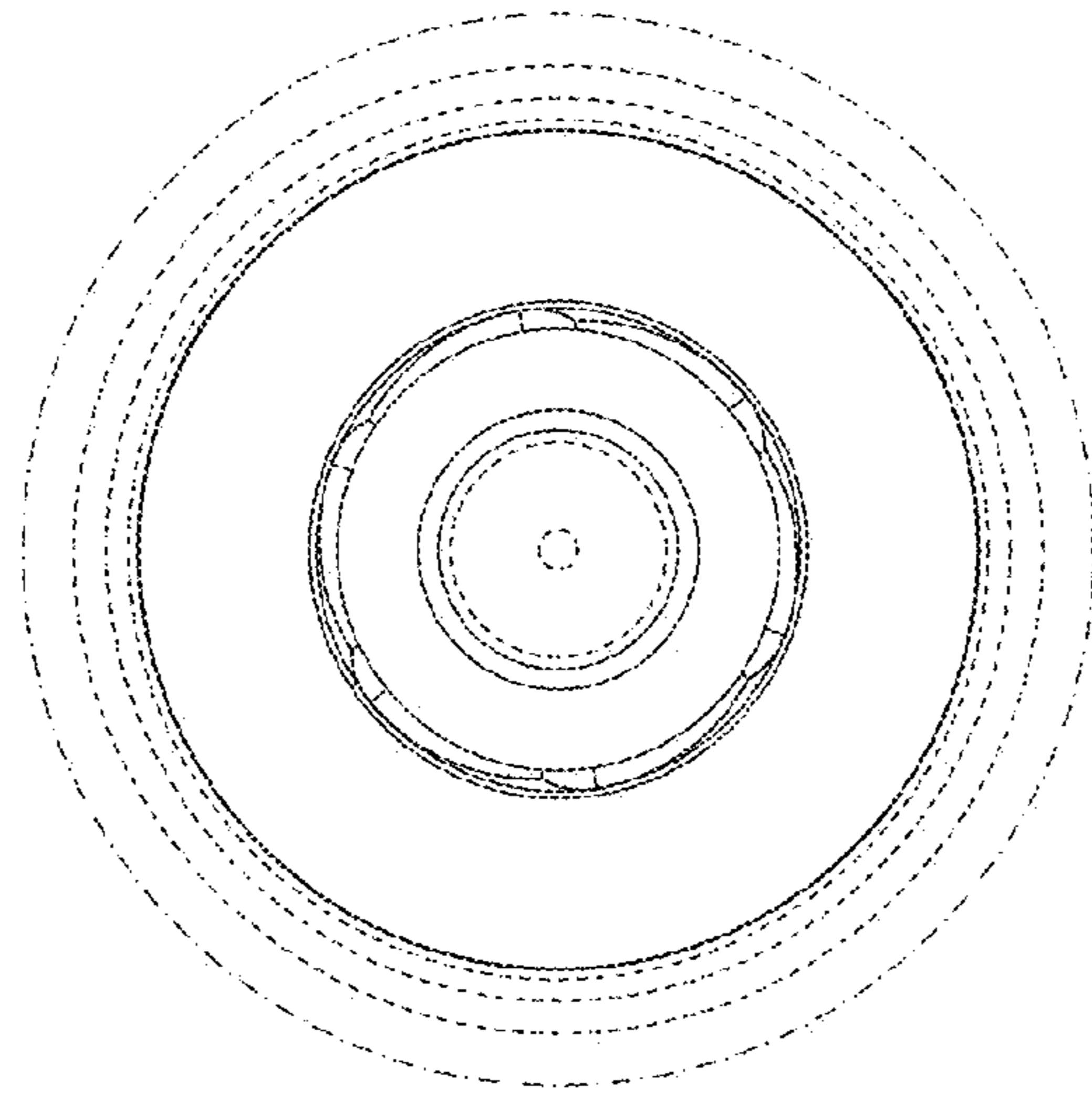


FIG. 14

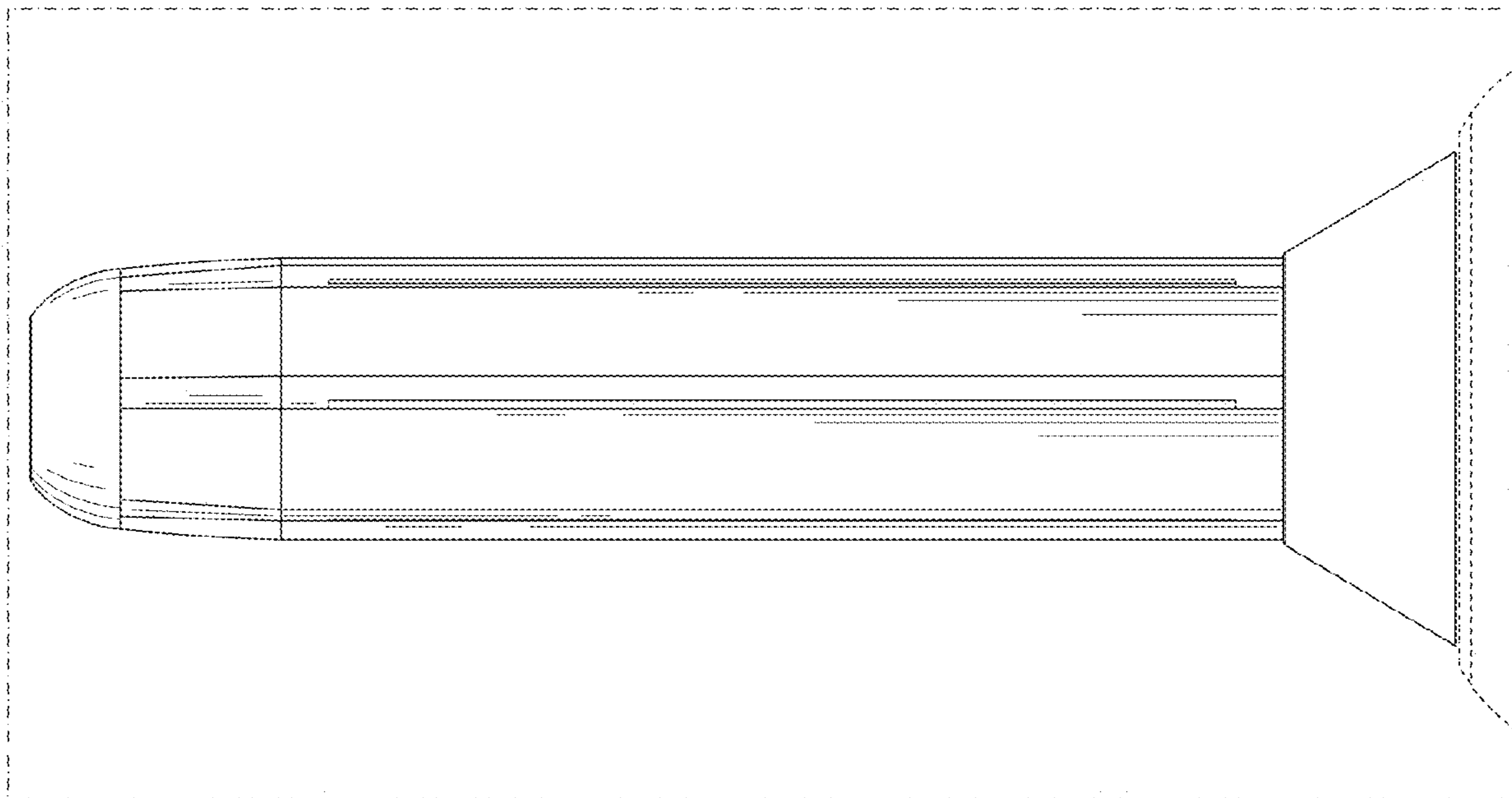


FIG. 15

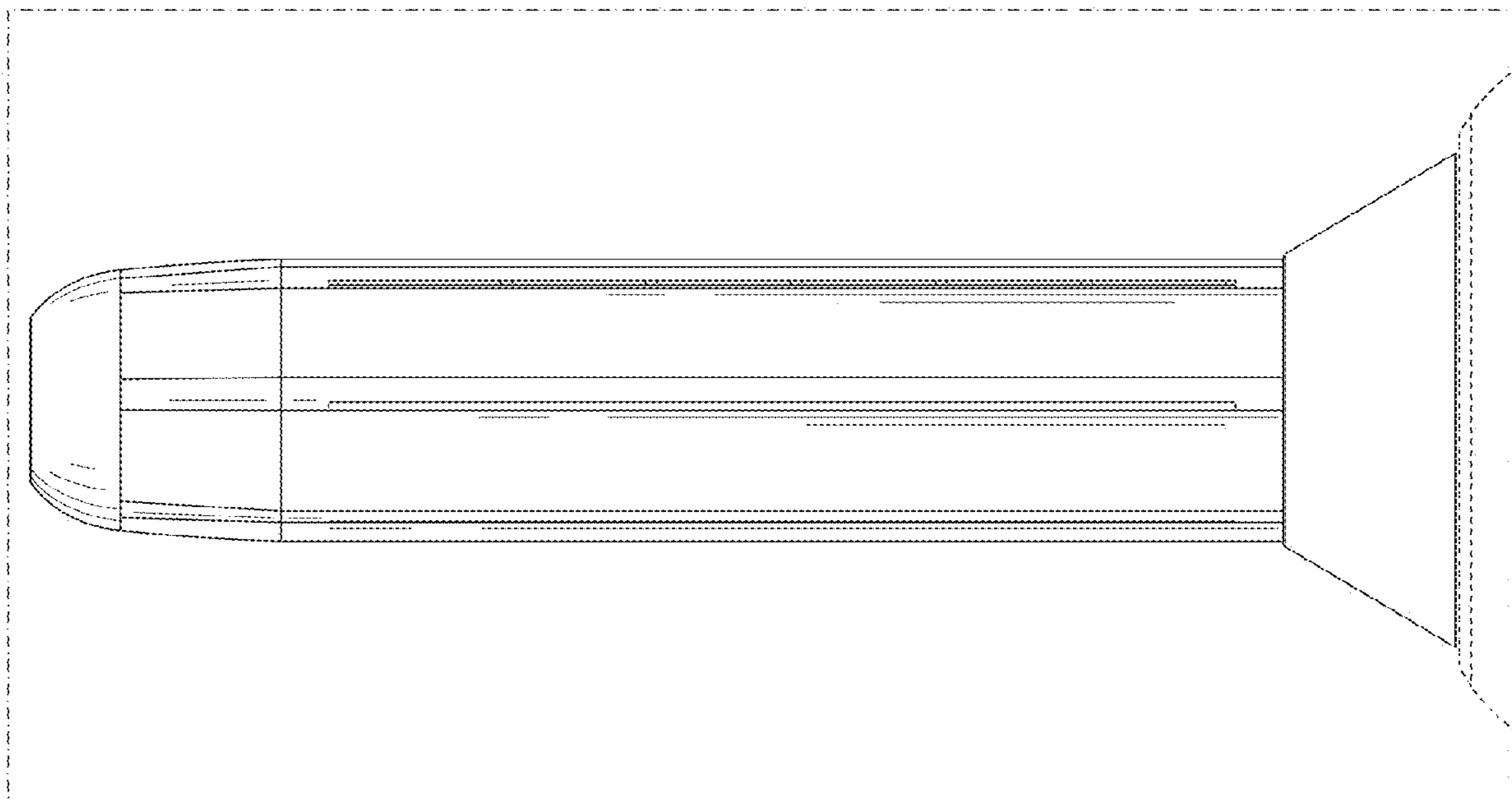


FIG. 16