



US00D946209S

(12) **United States Design Patent**  
**Xiao et al.**

(10) **Patent No.:** **US D946,209 S**  
(45) **Date of Patent:** **\*\* Mar. 15, 2022**

(54) **HAIR STRAIGHTENER**  
(71) Applicant: **Shenzhen FENDA Technology Co., Ltd.**, Shenzhen (CN)  
(72) Inventors: **Yong Xiao**, Shenzhen (CN); **Ming Liu**, Shenzhen (CN)  
(73) Assignee: **SHENZHEN FENDA TECHNOLOGY CO., LTD.**, Shenzhen (CN)  
(\*\*) Term: **15 Years**

D870,967 S \* 12/2019 Huang ..... D28/35  
D876,015 S \* 2/2020 Lin ..... D28/35  
D877,413 S \* 3/2020 Lin ..... D28/35  
(Continued)

*Primary Examiner* — Jennifer Rivard  
*Assistant Examiner* — Alison M Ofstun  
(74) *Attorney, Agent, or Firm* — Dinsmore & Shohl LLP

(21) Appl. No.: **29/727,489**  
(22) Filed: **Mar. 11, 2020**  
(30) **Foreign Application Priority Data**  
Oct. 16, 2019 (CN) ..... 201930564058.2  
Oct. 16, 2019 (CN) ..... 201930564060.X

(57) **CLAIM**  
The ornamental design for a hair straightener, as shown and described.

(51) **LOC (13) Cl.** ..... **28-03**  
(52) **U.S. Cl.**  
USPC ..... **D28/35; D28/18**  
(58) **Field of Classification Search**  
USPC ..... D28/10–16, 35–38, 99, 18  
CPC . A45D 1/00; A45D 1/004; A45D 1/02; A45D 1/04; A45D 1/06; A45D 1/08; A45D 1/10; A45D 1/12; A45D 1/14; A45D 1/16; A45D 1/18; A45D 1/20; A45D 1/28; A45D 2/00; A45D 2/001; A45D 2/002; A45D 2/12; A45D 2/36; A45D 6/00

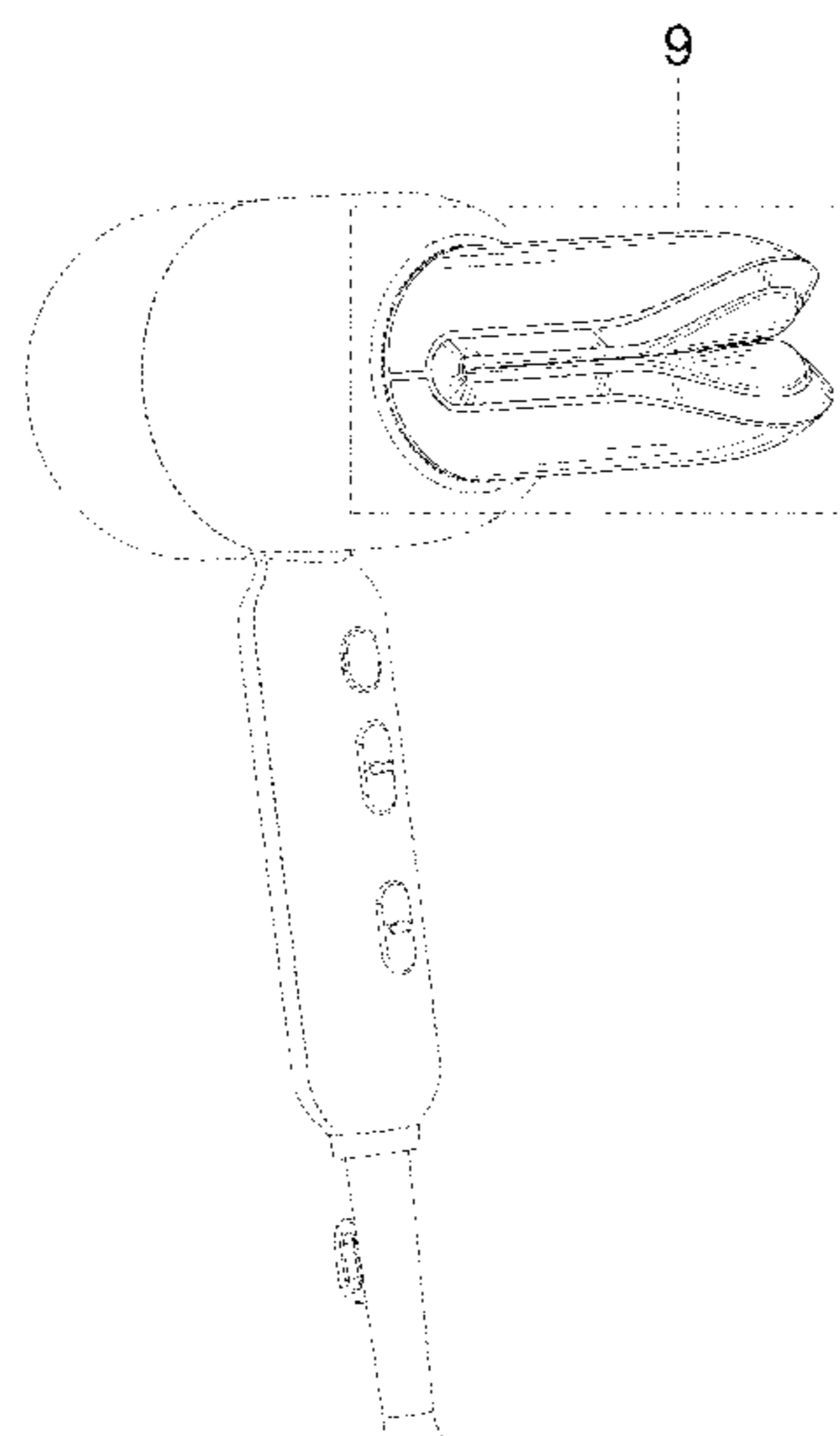
**DESCRIPTION**

FIG. 1 is a front right perspective view of a hair straightener showing our new design.  
FIG. 2 is a front right perspective view thereof.  
FIG. 3 is a left side view thereof.  
FIG. 4 is a right side view thereof.  
FIG. 5 is a front view thereof.  
FIG. 6 is a rear view thereof.  
FIG. 7 is a top side view thereof.  
FIG. 8 is a bottom side view thereof.  
FIG. 9 is an enlarged view thereof, taken from portion “9” shown in FIG. 1.  
FIG. 10 is an enlarged view thereof, taken from portion “10” shown in FIG. 2.  
FIG. 11 is an enlarged view thereof, taken from portion “11” shown in FIG. 3.  
FIG. 12 is an enlarged view thereof, taken from portion “12” shown in FIG. 4.  
FIG. 13 is an enlarged view thereof, taken from portion “13” shown in FIG. 5.  
FIG. 14 is an enlarged view thereof, taken from portion “14” shown in FIG. 7; and,  
FIG. 15 is an enlarged view thereof, taken from portion “15” shown in FIG. 8.  
In the drawings, the evenly-spaced broken lines illustrate portions of the hair straightener which form no part of the claimed design. The dash-dot broken lines illustrate enlarged view indicators and form no part of the claimed design.

See application file for complete search history.

(56) **References Cited**  
**U.S. PATENT DOCUMENTS**  
D123,597 S \* 11/1940 Izquierdo ..... D28/35  
D276,086 S \* 10/1984 Ernest ..... D28/35  
D850,002 S \* 5/2019 Bates ..... D28/35

**1 Claim, 11 Drawing Sheets**



(56)

**References Cited**

U.S. PATENT DOCUMENTS

D884,272	S	*	5/2020	Liao	.....	D28/35
D901,077	S	*	11/2020	Kim	.....	D28/35
D904,689	S	*	12/2020	Yang	.....	D28/35
D905,334	S	*	12/2020	Hu	.....	D28/35
D907,848	S	*	1/2021	Julemont	.....	D28/35
D921,289	S	*	6/2021	Huang	.....	D28/35
D932,100	S	*	9/2021	de Belizal	.....	D28/35
2017/0188681	A1	*	7/2017	Leung	.....	A45D 1/04

\* cited by examiner

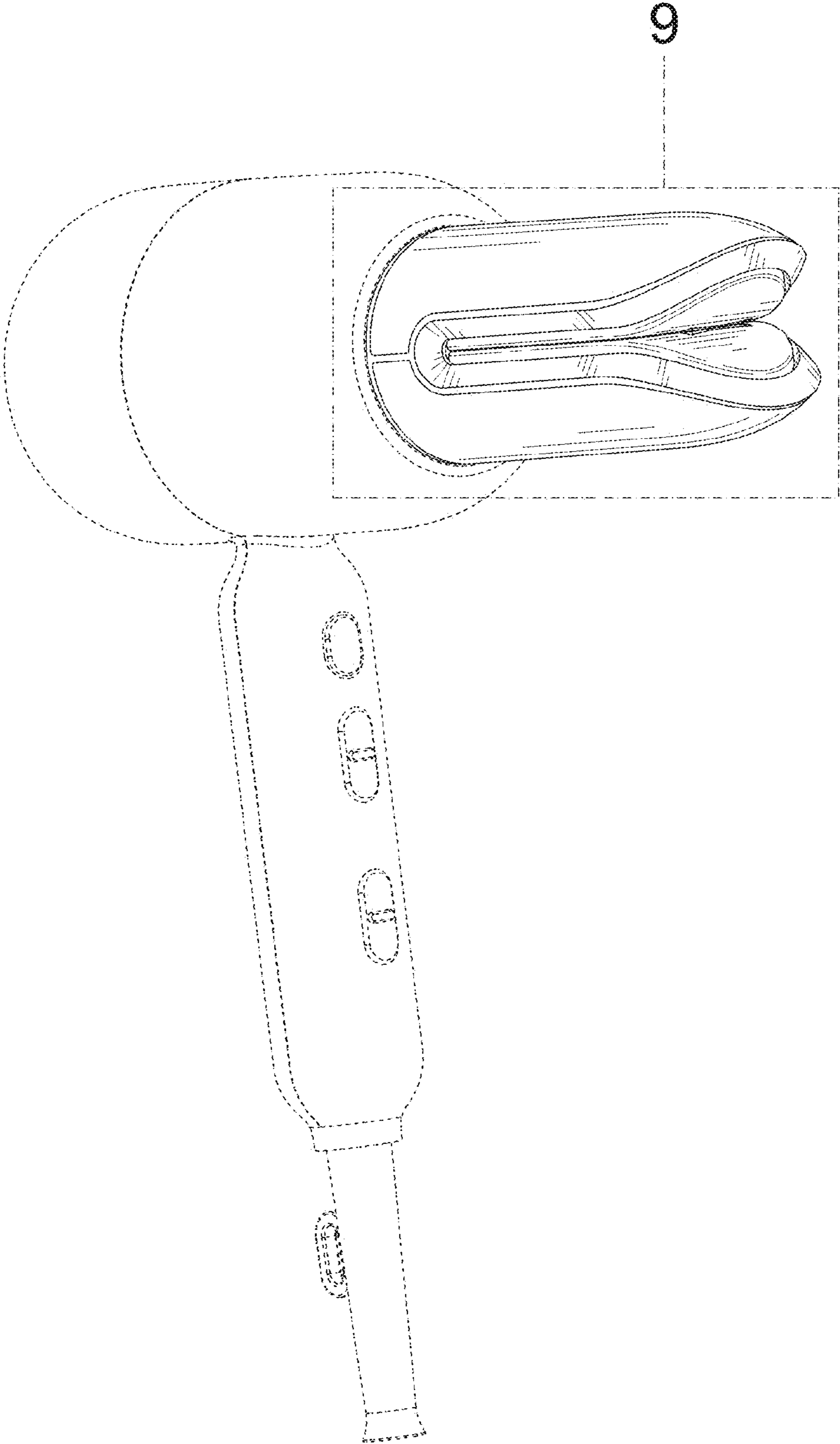


FIG. 1

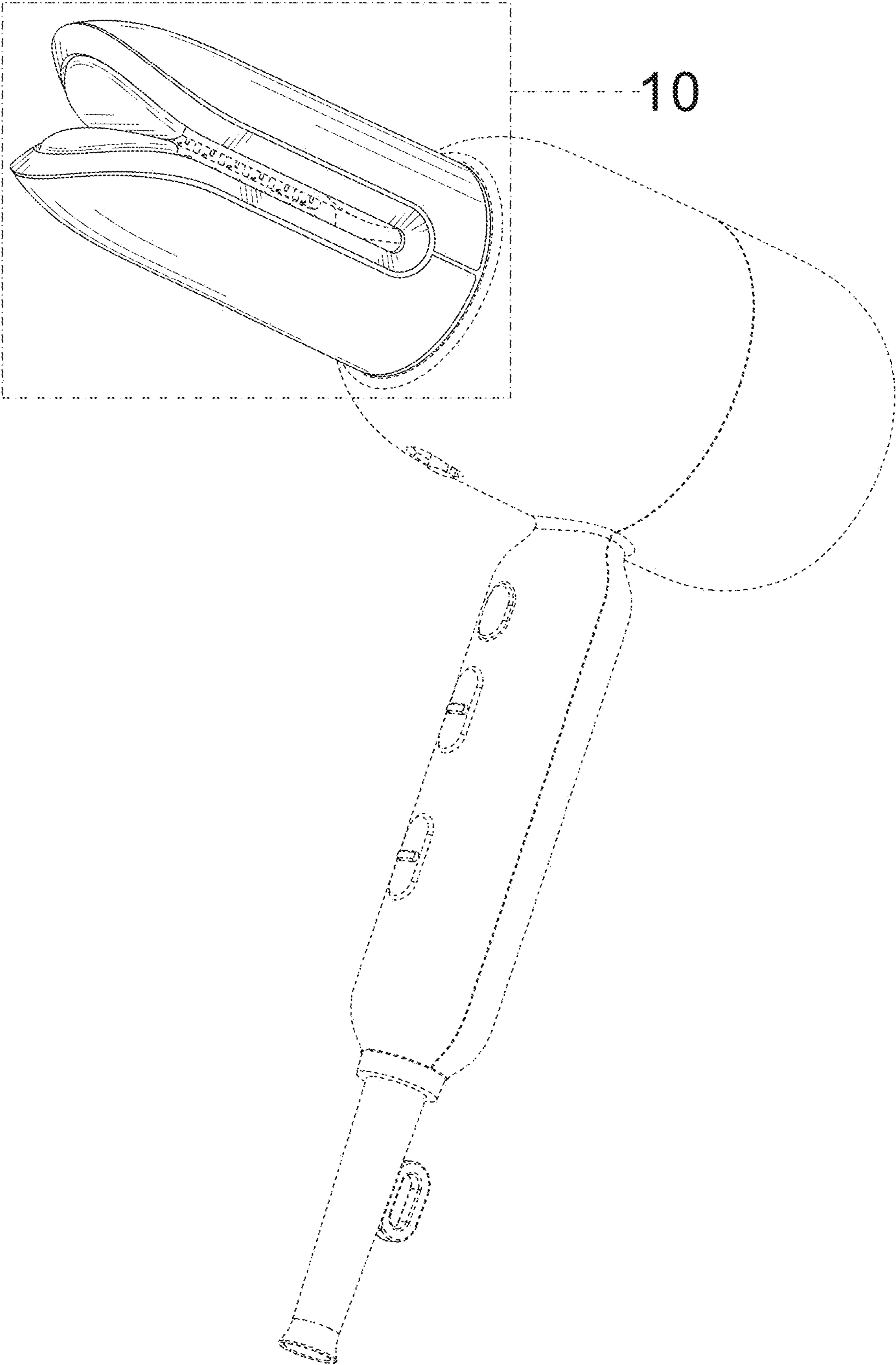


FIG. 2

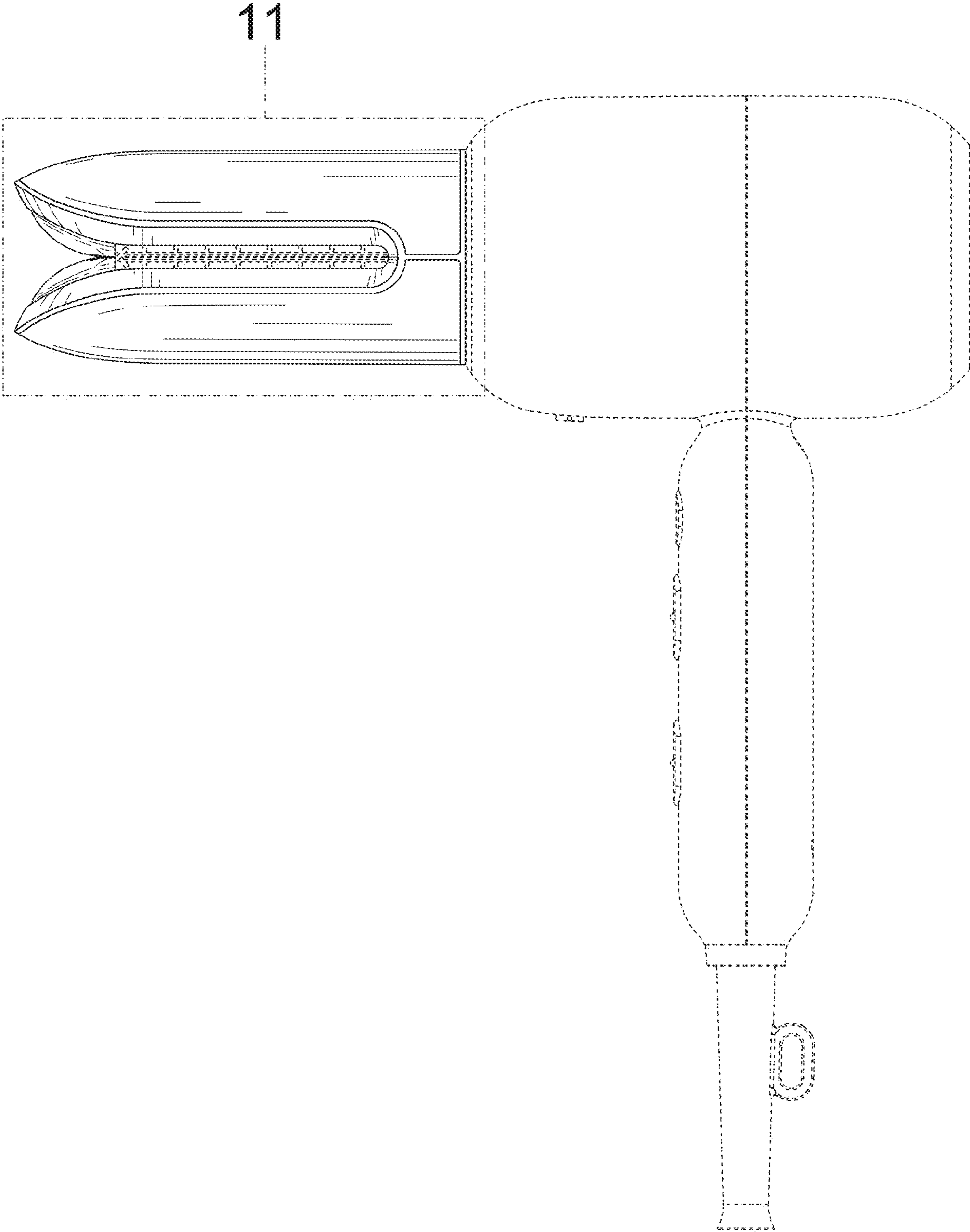


FIG. 3

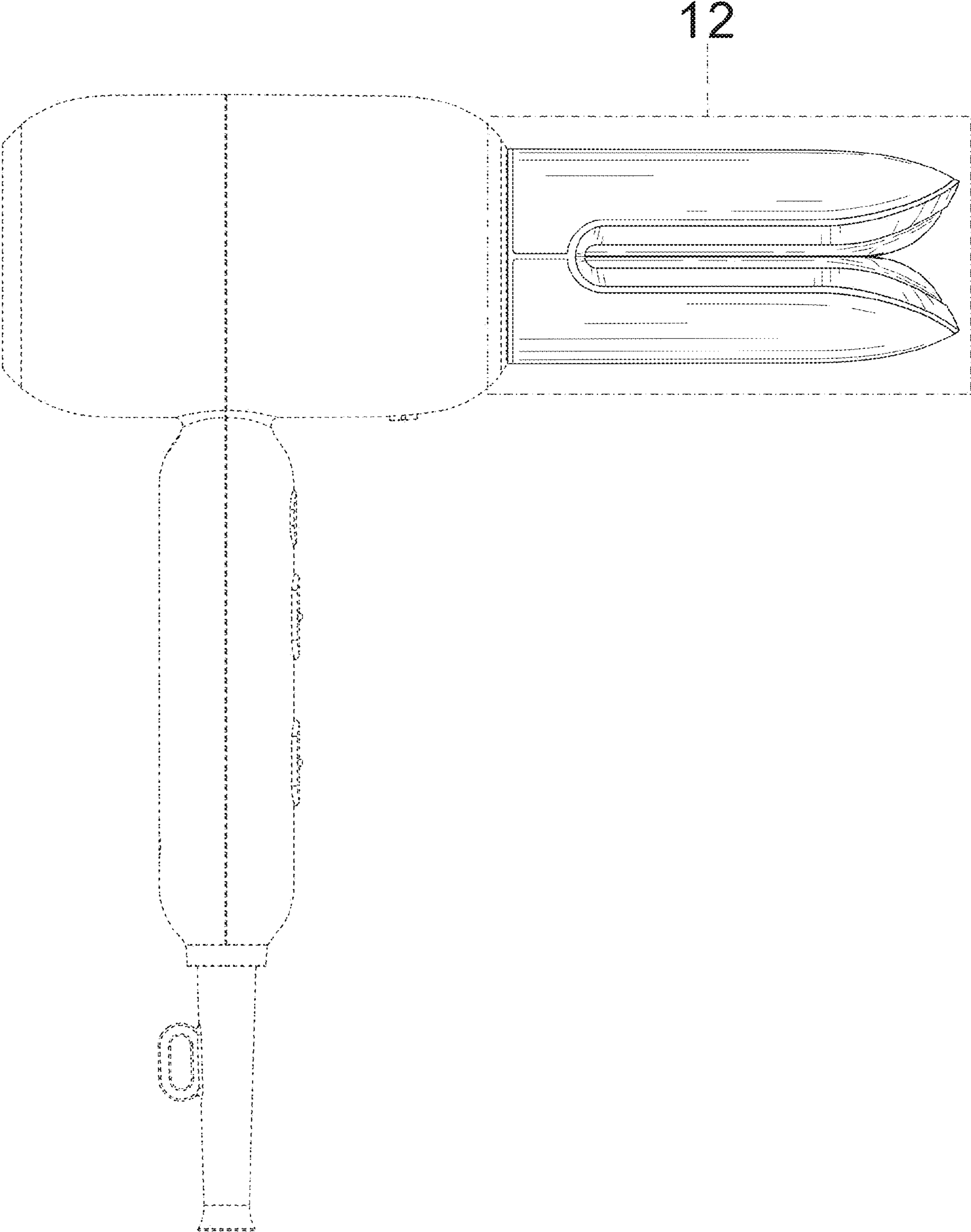


FIG. 4

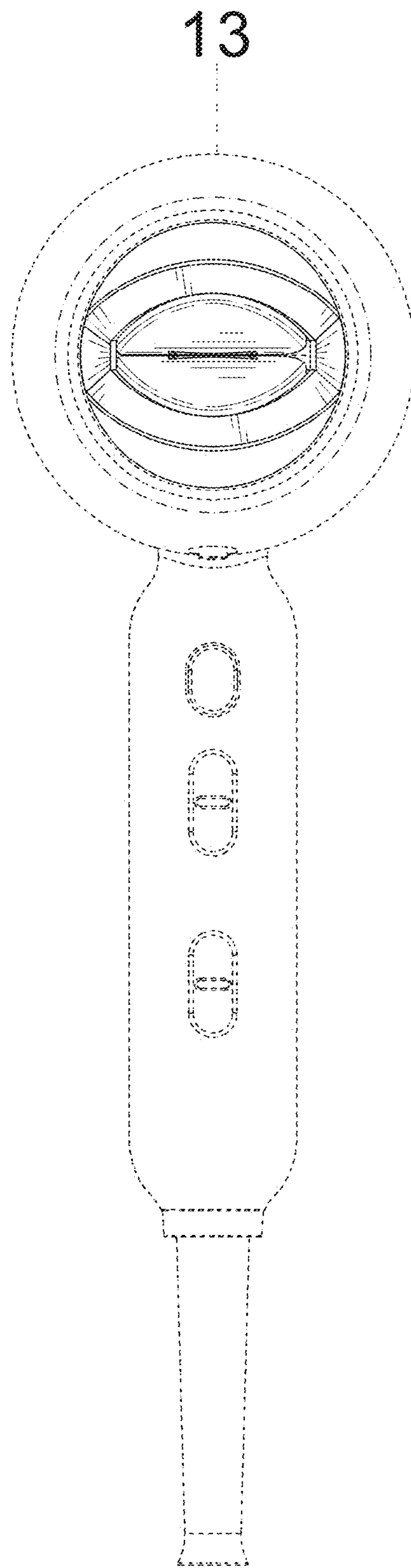


FIG. 5

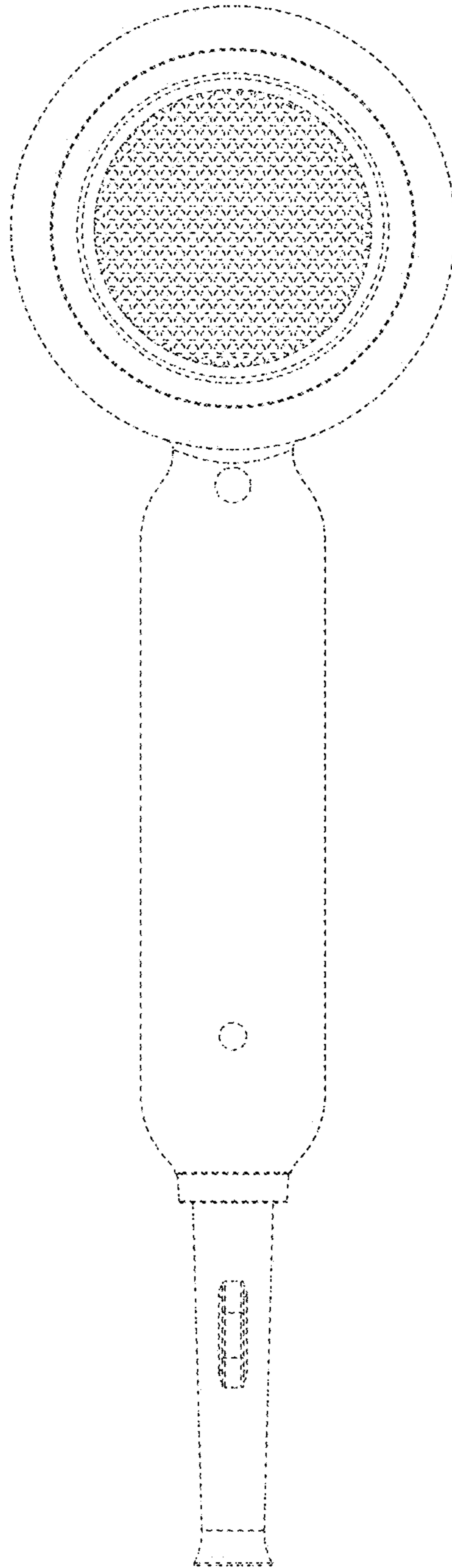


FIG. 6



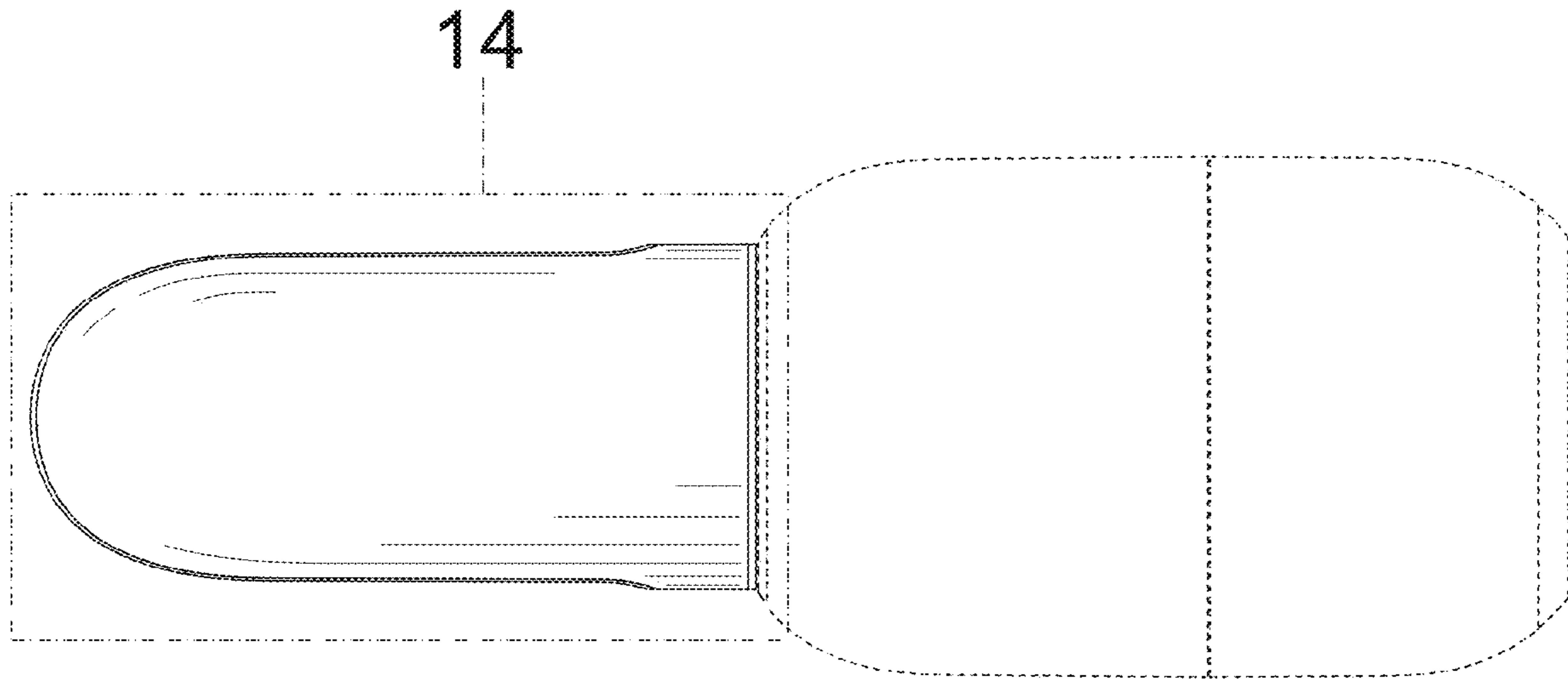


FIG. 7

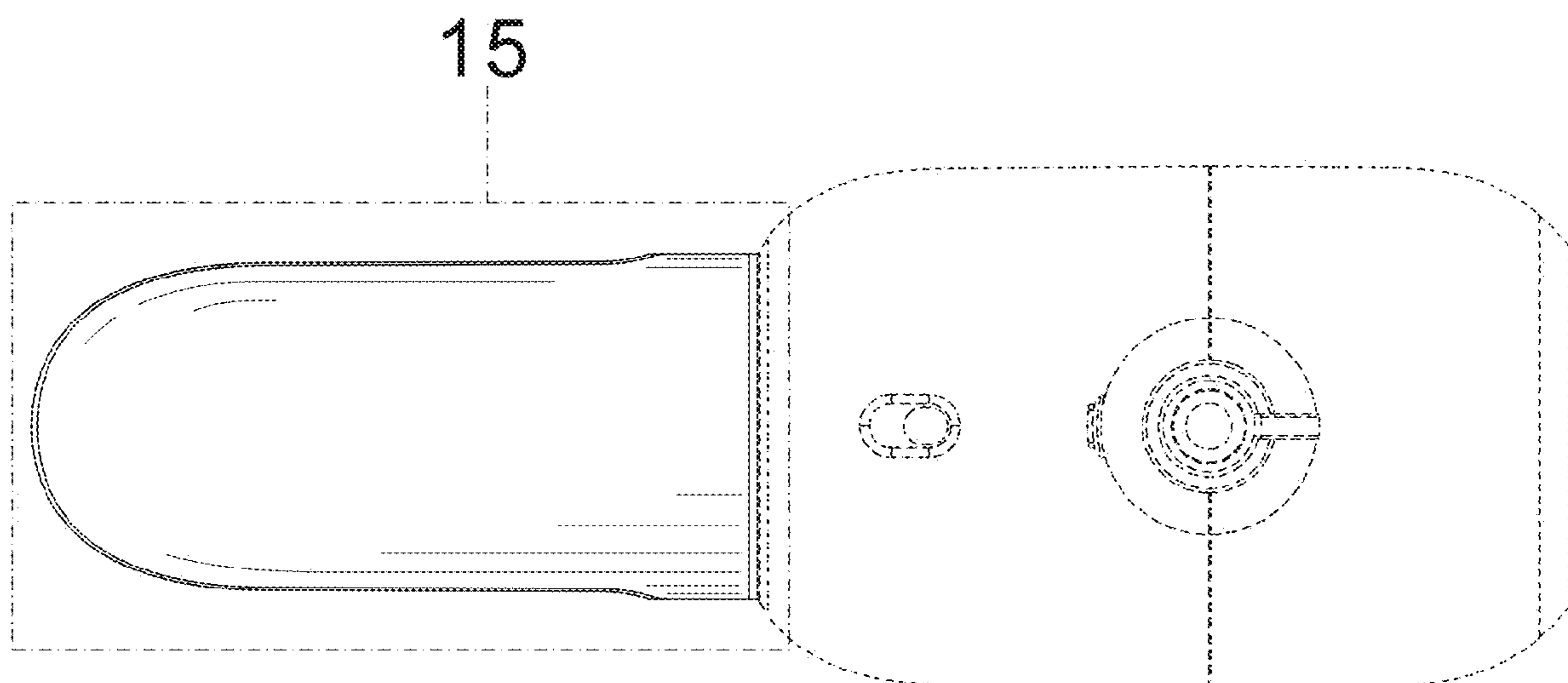


FIG. 8

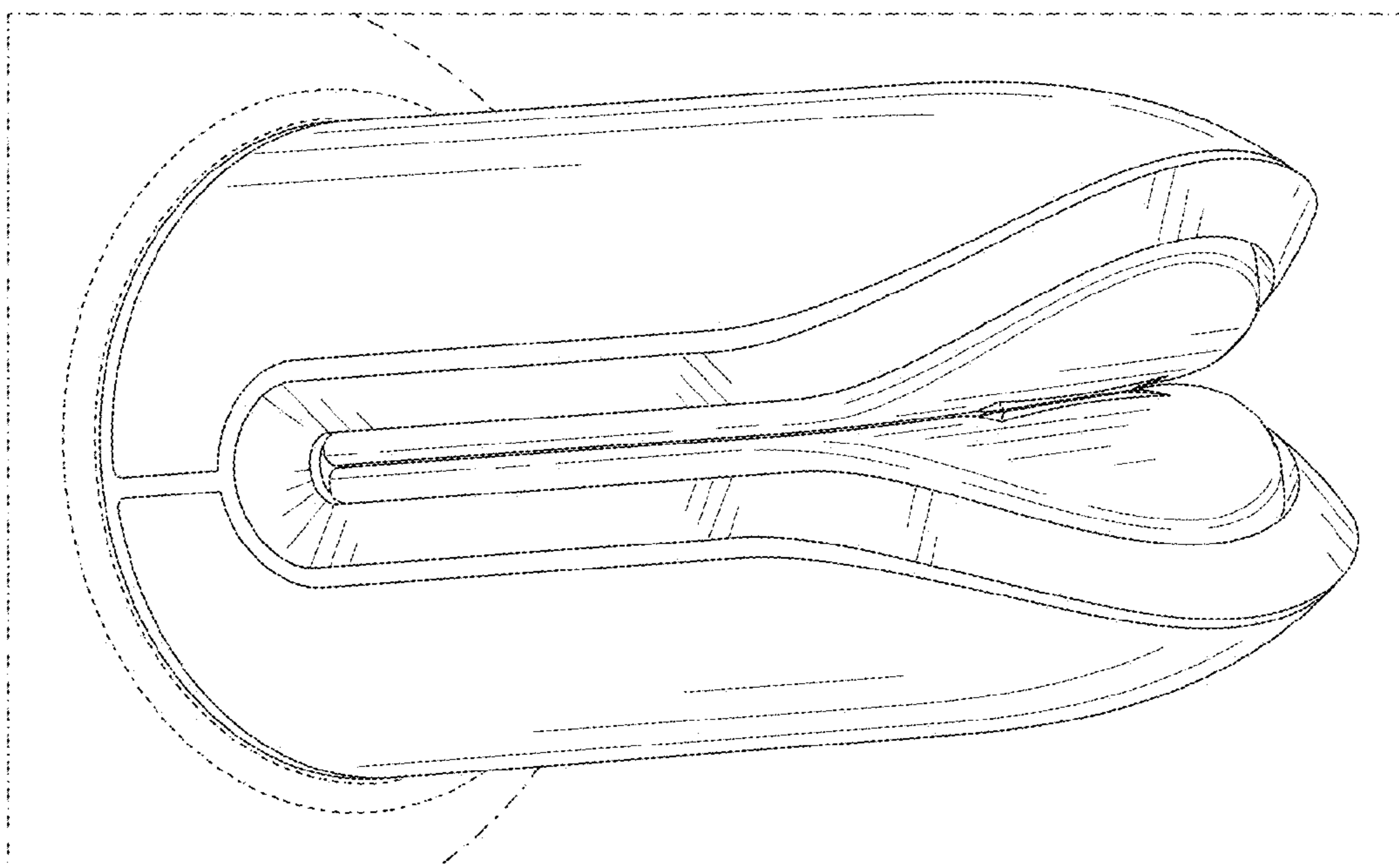


FIG. 9

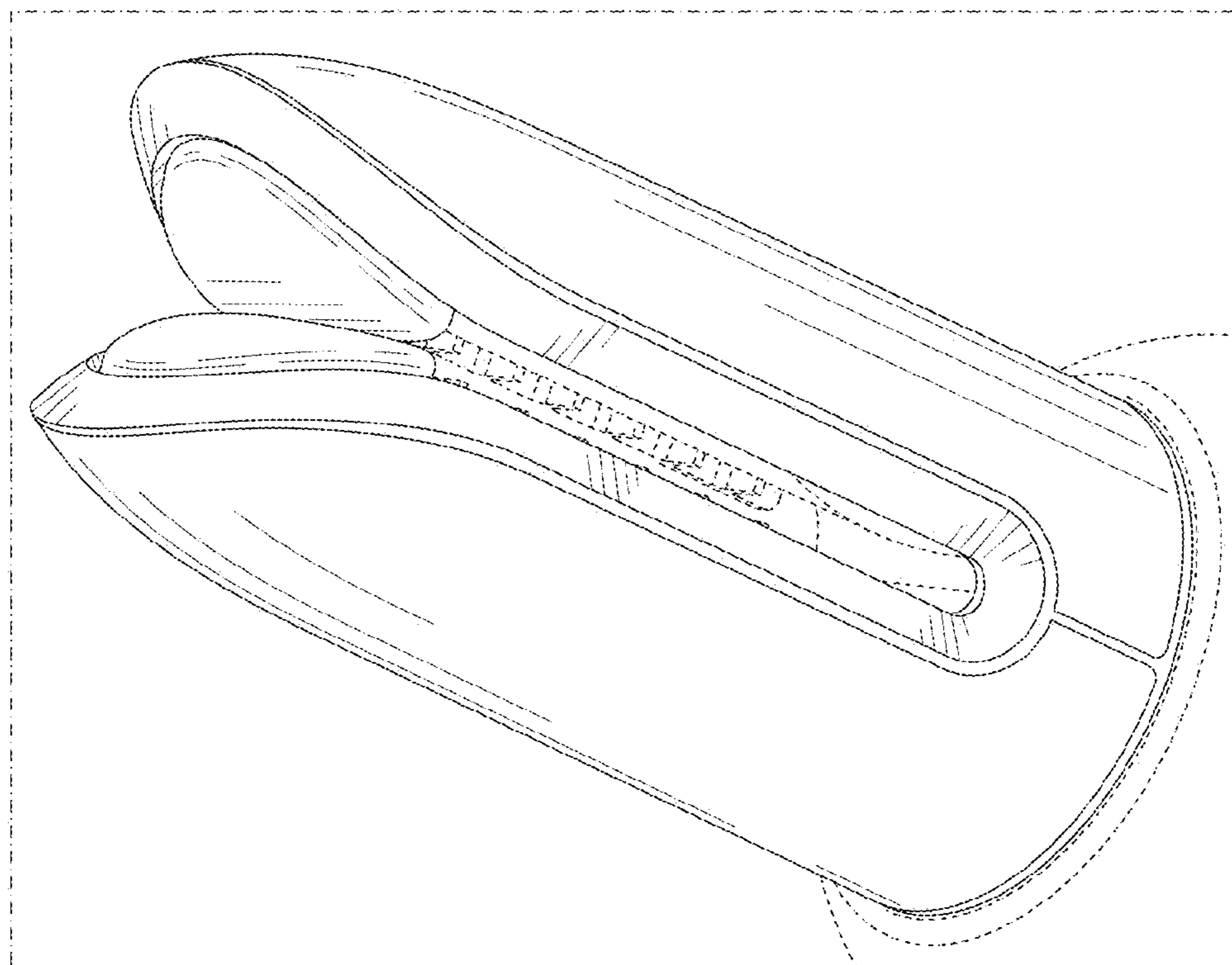


FIG. 10

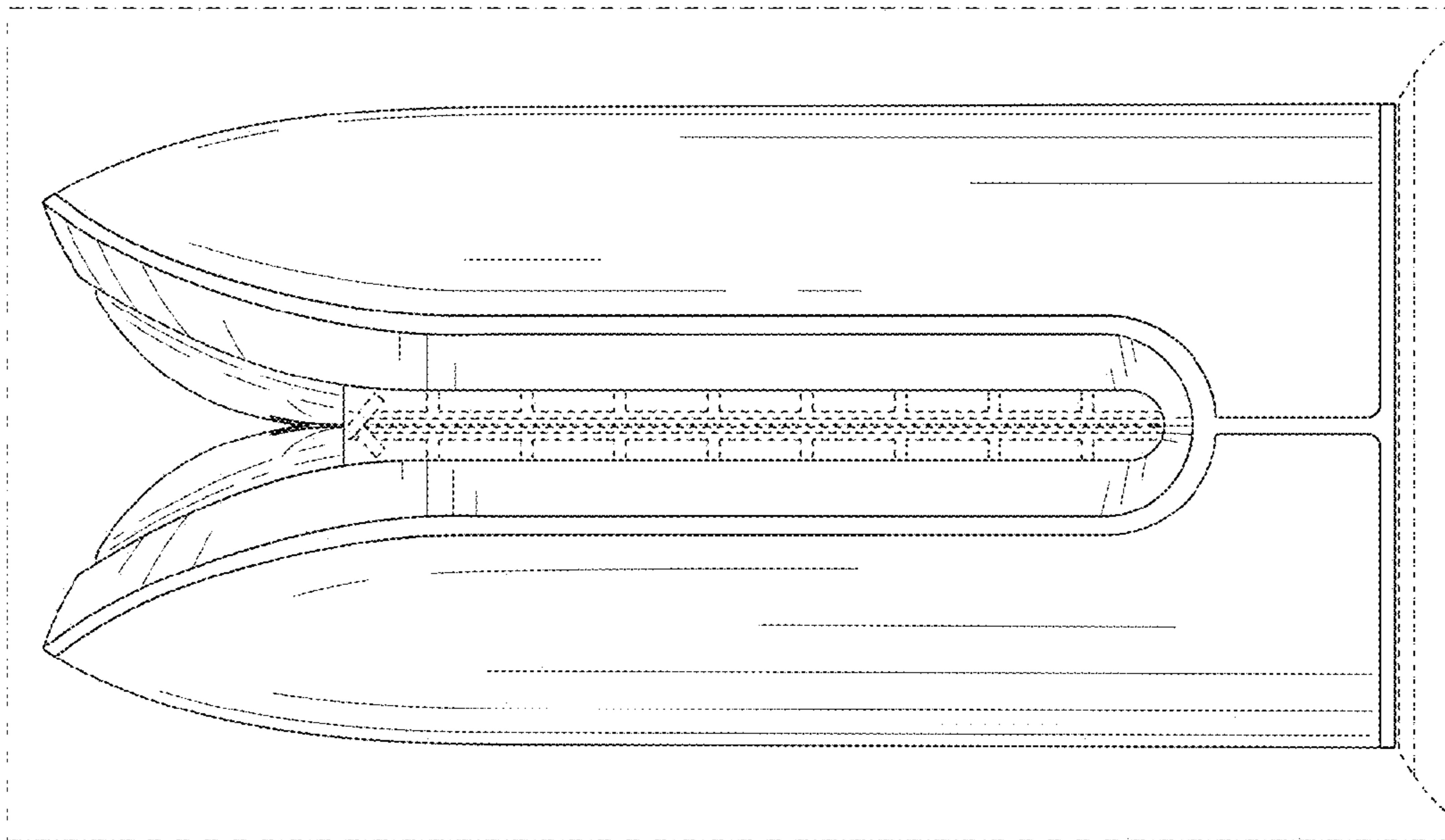


FIG. 11

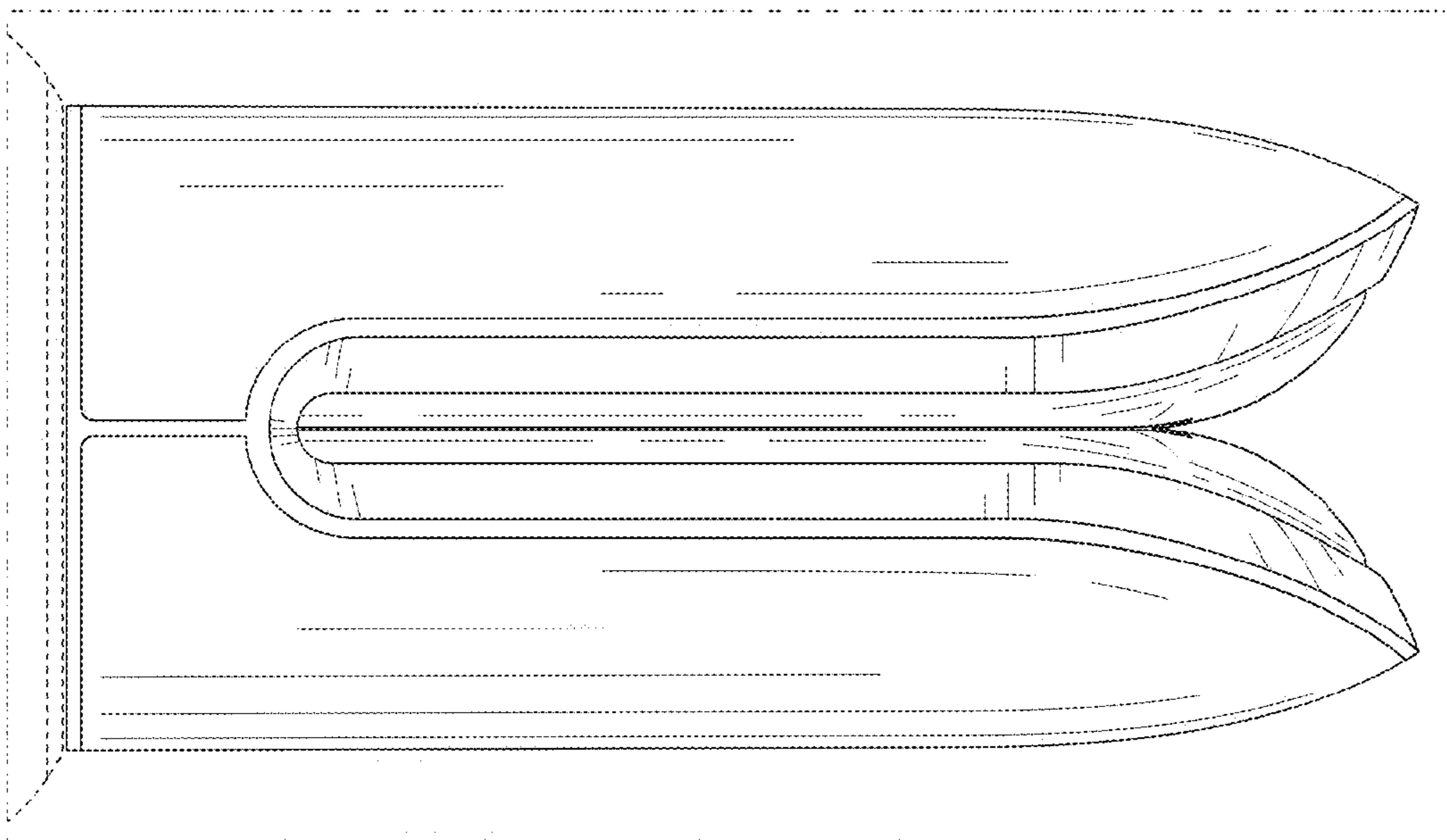


FIG. 12

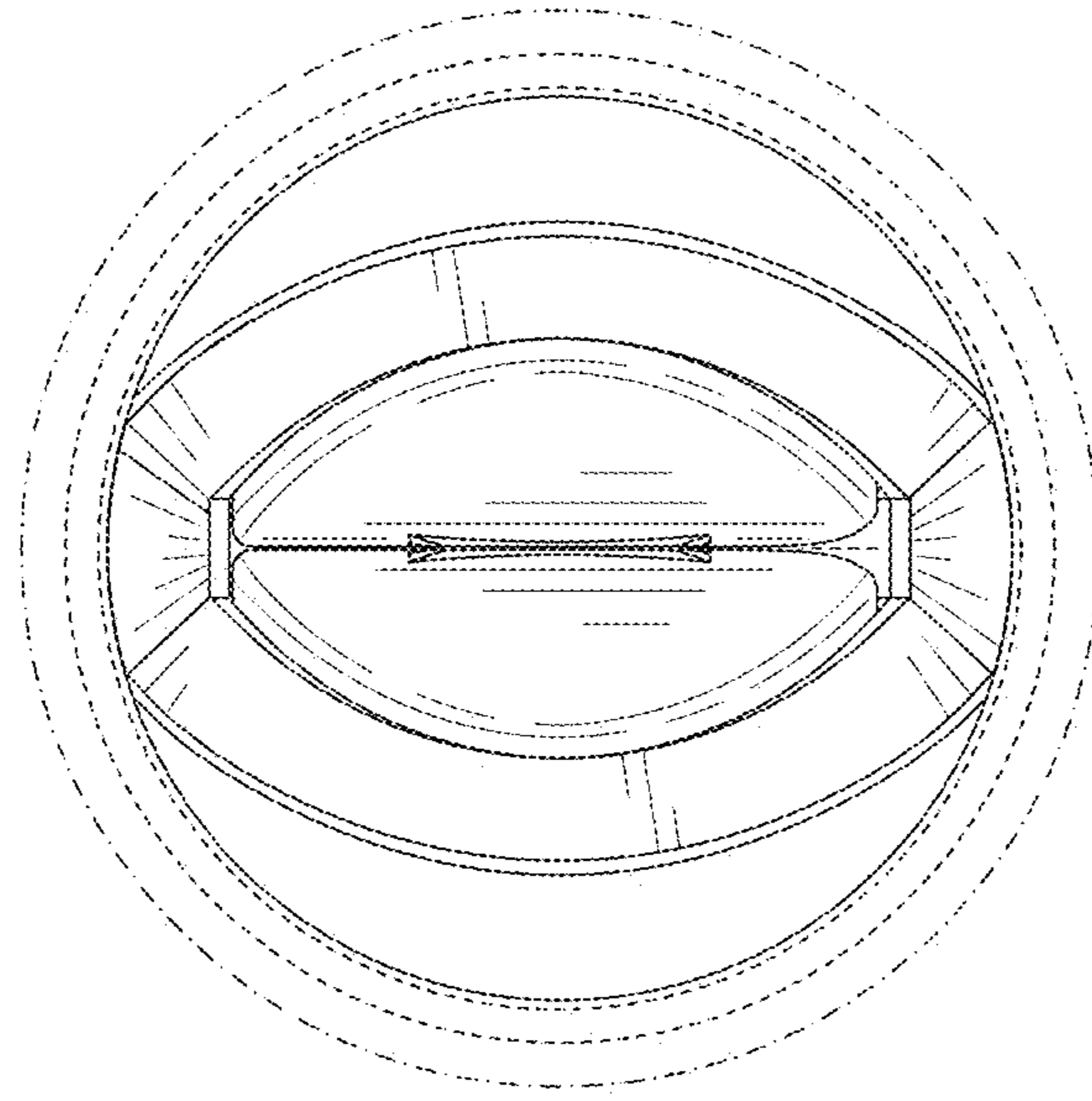


FIG. 13

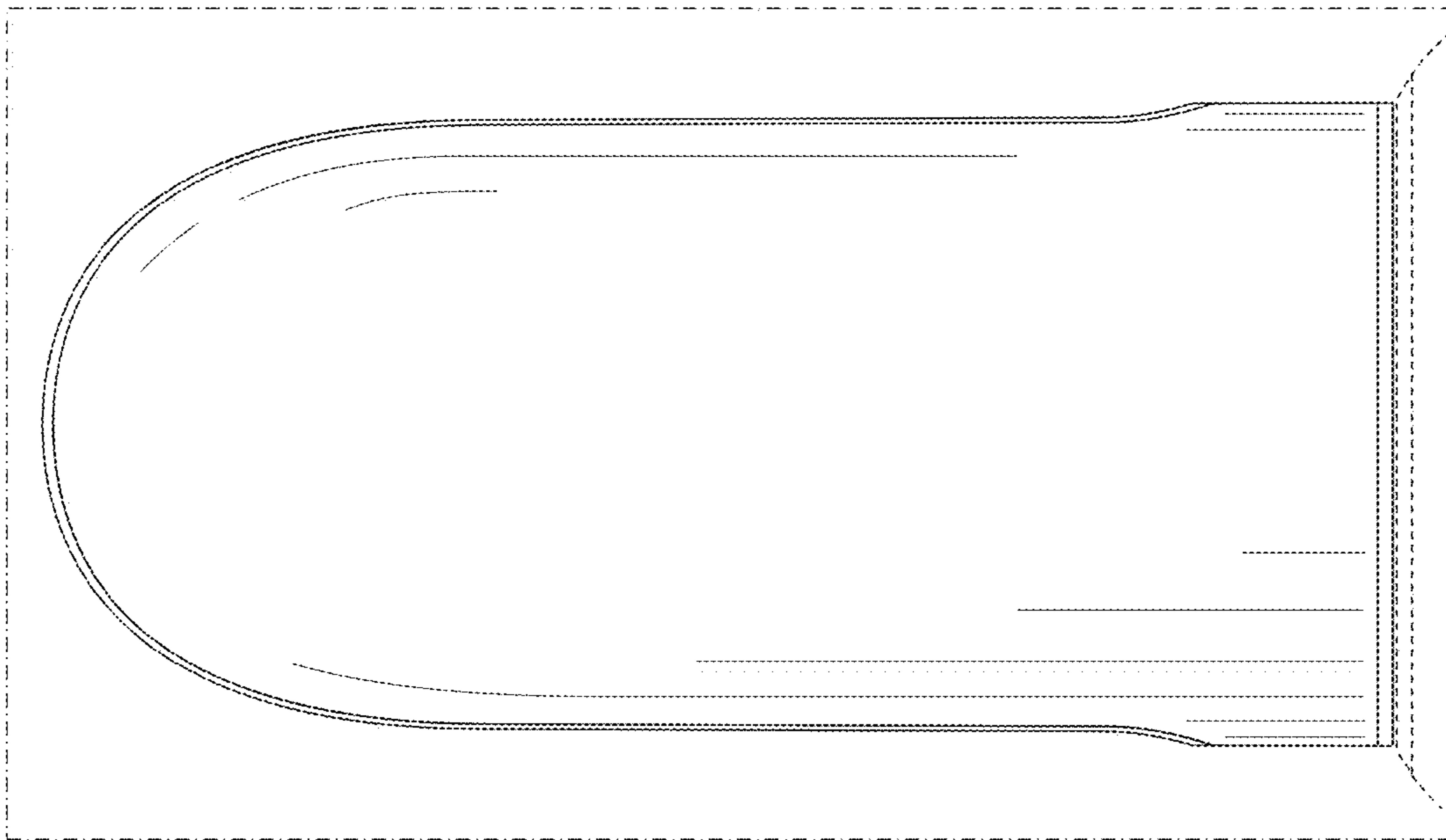


FIG. 14

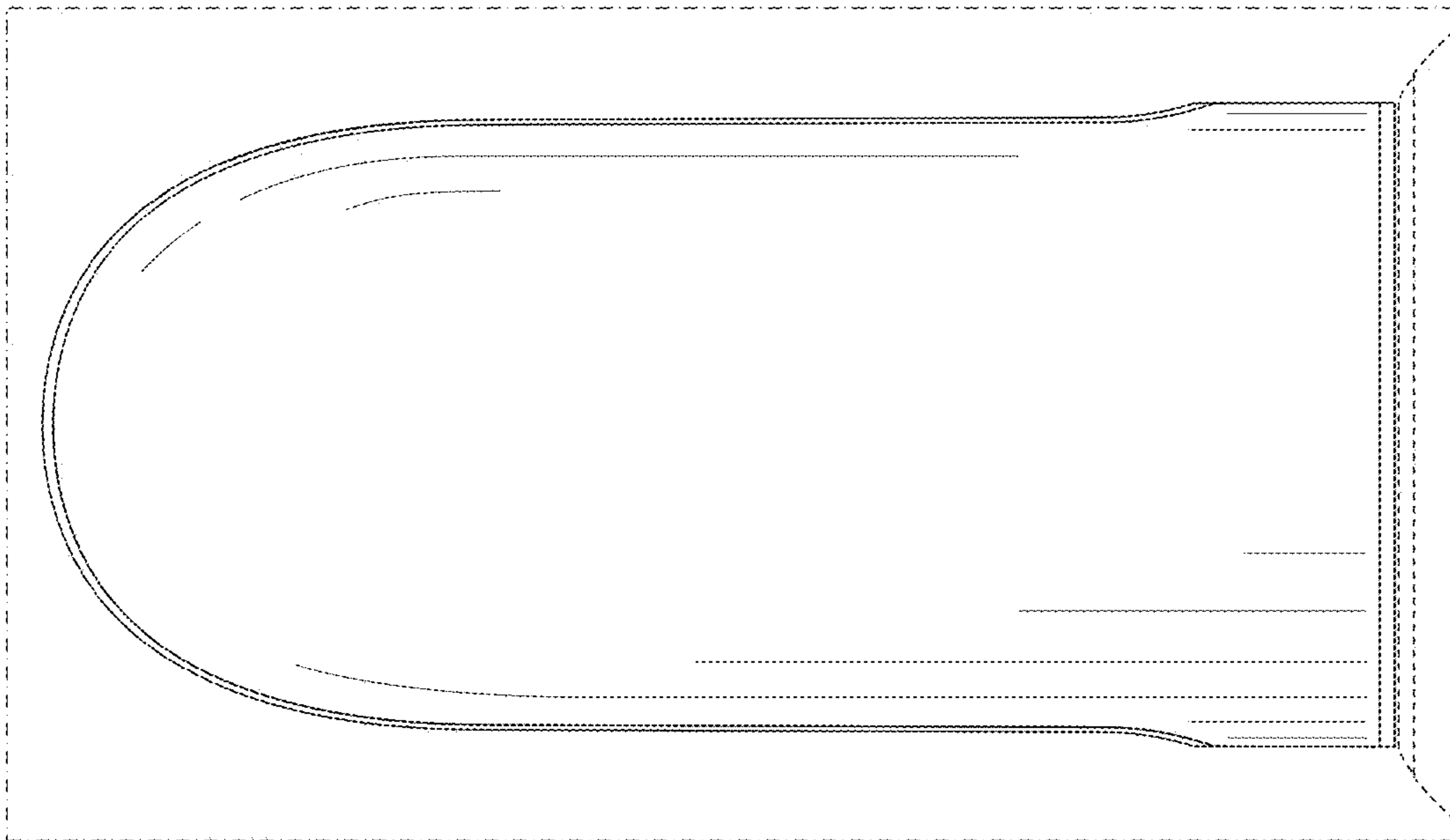


FIG. 15