



US00D946206S

(12) **United States Design Patent**
Nakamura et al.

(10) **Patent No.:** **US D946,206 S**
(45) **Date of Patent:** **** Mar. 15, 2022**

- (54) **COSMETIC MASK**
- (71) Applicant: **TAIKI CORP., LTD.**, Osaka (JP)
- (72) Inventors: **Koji Nakamura**, Osaka (JP); **Yasuko Nakamura**, Osaka (JP)
- (73) Assignee: **TAIKI CORP., LTD.**, Osaka (JP)
- (**) Term: **15 Years**
- (21) Appl. No.: **29/764,369**
- (22) Filed: **Dec. 30, 2020**
- (30) **Foreign Application Priority Data**
Sep. 28, 2020 (JP) 2020-020549 D
- (51) **LOC (13) Cl.** **28-03**
- (52) **U.S. Cl.**
USPC **D28/7**
- (58) **Field of Classification Search**
USPC D28/7, 8, 99; D29/108; D21/660
CPC A45D 44/002; A45D 2200/1009
See application file for complete search history.

- D712,092 S * 8/2014 Watabe A45D 44/002
D28/7
- D734,891 S * 7/2015 Sternad D28/7
- D855,884 S * 8/2019 Batchvarova D28/7
- D905,332 S * 12/2020 Kim D28/7

* cited by examiner

Primary Examiner — Zenia I Bennett

(74) *Attorney, Agent, or Firm* — JCIPRNET

(57) **CLAIM**

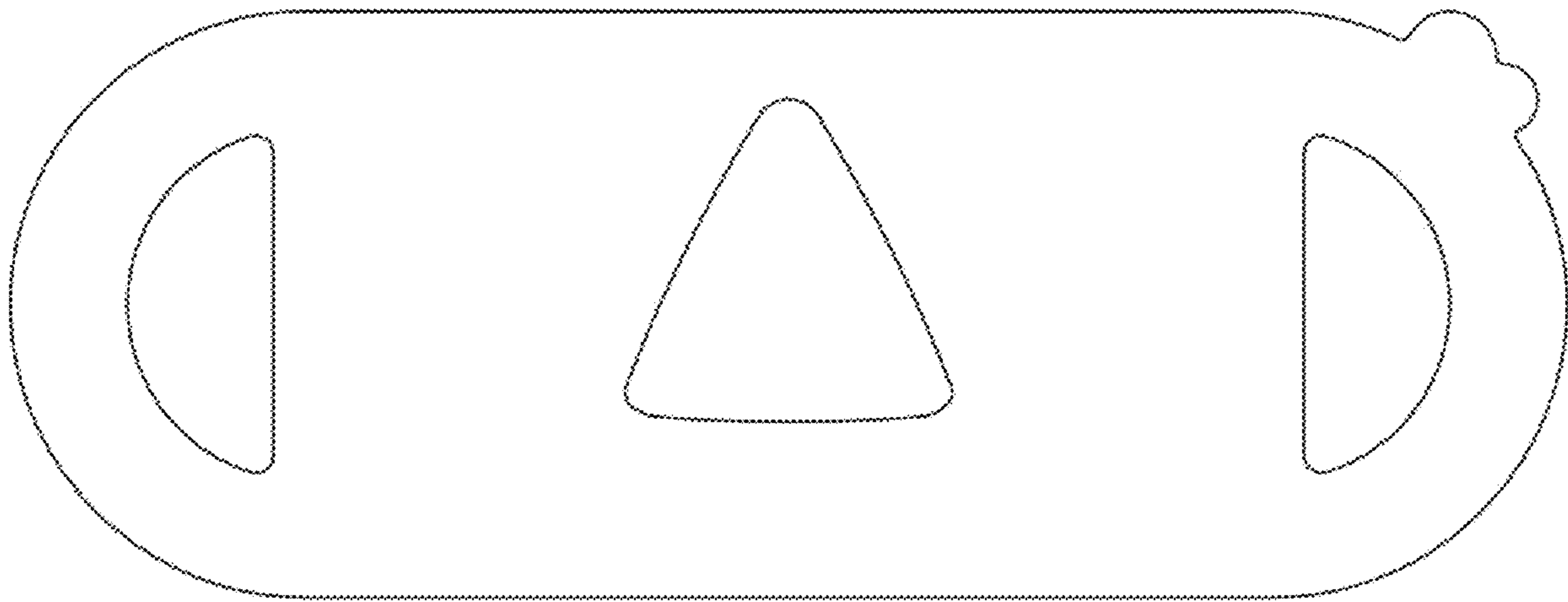
The ornamental design for a cosmetic mask, as shown and described.

DESCRIPTION

FIG. 1 is a perspective view of a cosmetic mask showing our new design;
FIG. 2 is a front view thereof, the rear view being a mirror image thereof;
FIG. 3 is a left side view thereof;
FIG. 4 is a right side view thereof;
FIG. 5 is a top view thereof; and,
FIG. 6 is a bottom view thereof.

1 Claim, 2 Drawing Sheets

- (56) **References Cited**
U.S. PATENT DOCUMENTS
D351,924 S * 10/1994 Glover D28/7
D461,278 S * 8/2002 Takechi D28/4



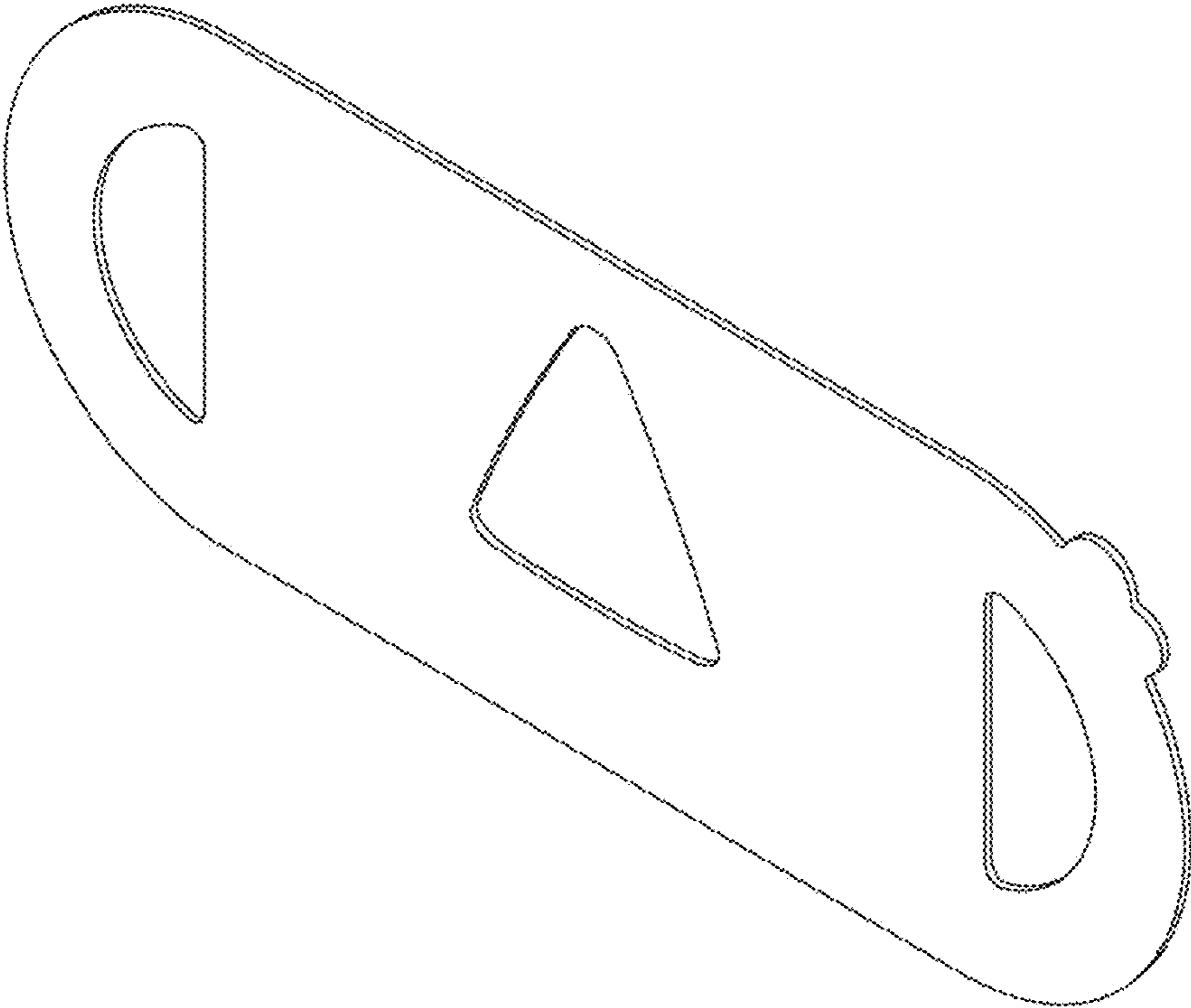


FIG. 1

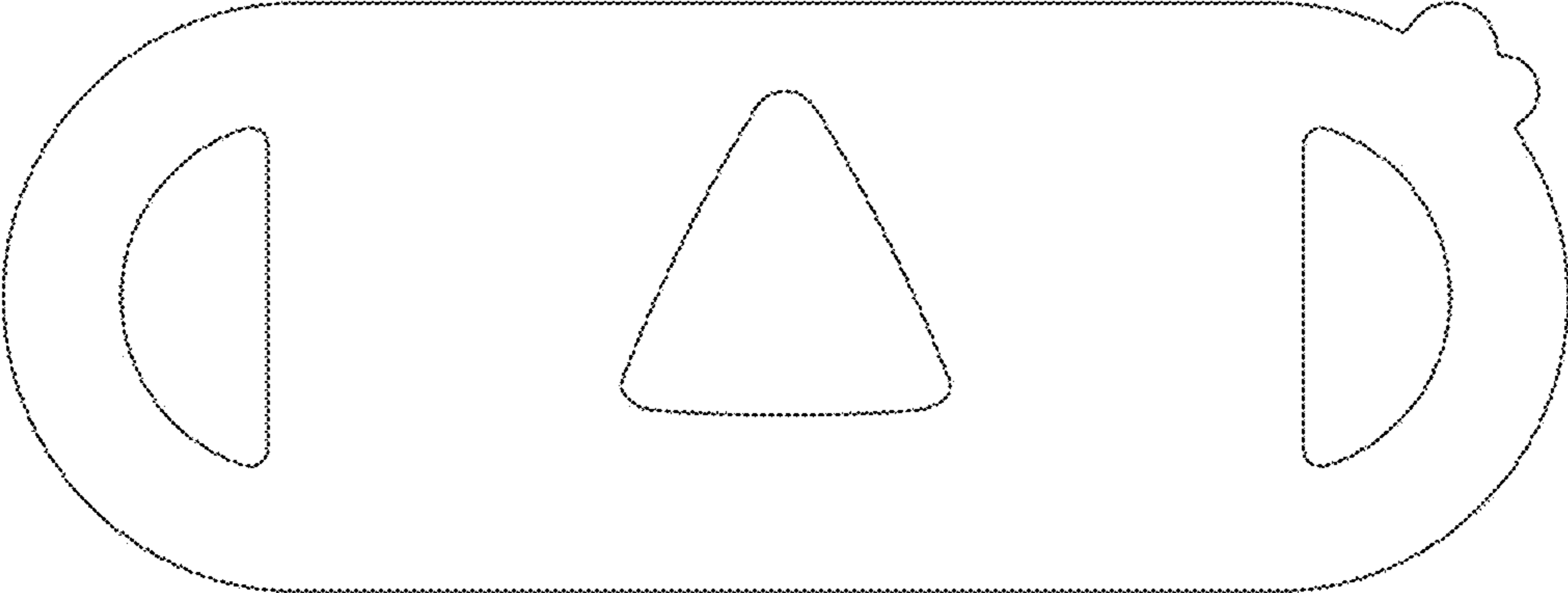


FIG. 2



FIG. 3



FIG. 4



FIG. 5



FIG. 6