



US00D946204S

(12) **United States Design Patent**
Grote

(10) **Patent No.:** **US D946,204 S**

(45) **Date of Patent:** **** Mar. 15, 2022**

(54) **VAPE DEVICE**

(71) Applicant: **Mark James Grote**, River Forest, IL
(US)

(72) Inventor: **Mark James Grote**, River Forest, IL
(US)

(**) Term: **15 Years**

(21) Appl. No.: **29/732,769**

(22) Filed: **Apr. 27, 2020**

(51) **LOC (13) Cl.** **27-02**

(52) **U.S. Cl.**
USPC **D27/162**

(58) **Field of Classification Search**
USPC D27/162, 100, 103, 163–165, 167, 169,
D27/172, 183, 185–194; D23/360, 366;
D24/110, 110.5; D9/516, 522, 523
CPC A24F 47/008; A24F 47/006; A24F 47/002;
A61M 15/00; A61M 15/06

See application file for complete search history.

(56) **References Cited**

U.S. PATENT DOCUMENTS

D778,163 S *	2/2017	Dilley	D9/523
D799,971 S *	10/2017	Garcia	D9/523
D844,232 S *	3/2019	Qiu	D27/163
D857,984 S *	8/2019	Zhu	D27/162
D863,672 S *	10/2019	Liu	D27/162
D881,455 S *	4/2020	Wright	D27/162
D881,461 S *	4/2020	Wright	D27/162
D881,462 S *	4/2020	Wright	D27/162

D884,265 S *	5/2020	Wright	D27/162
D908,281 S *	1/2021	Folkerts	D27/162
D910,907 S *	2/2021	Liu	D27/162
D911,846 S *	3/2021	Van Den Heijkant	D9/523
D919,435 S *	5/2021	Currie	D9/523
D929,035 S *	8/2021	Liu	D27/162

OTHER PUBLICATIONS

Airistech Switch 3in 1 Vaporizer For Dry herb/Wax/CBD Oil 2200mAh, By: AIRISTECH found on line Aug. 25, 2021 <https://www.galacbd.com/products/airistech-switch-3in1-vaporizer-for-dry-herb-wax-cbd-oil-2200mah-p10009>.*

* cited by examiner

Primary Examiner — Rebecca Tsehaye
(74) *Attorney, Agent, or Firm* — McConnell Law Firm;
Robert McConnell

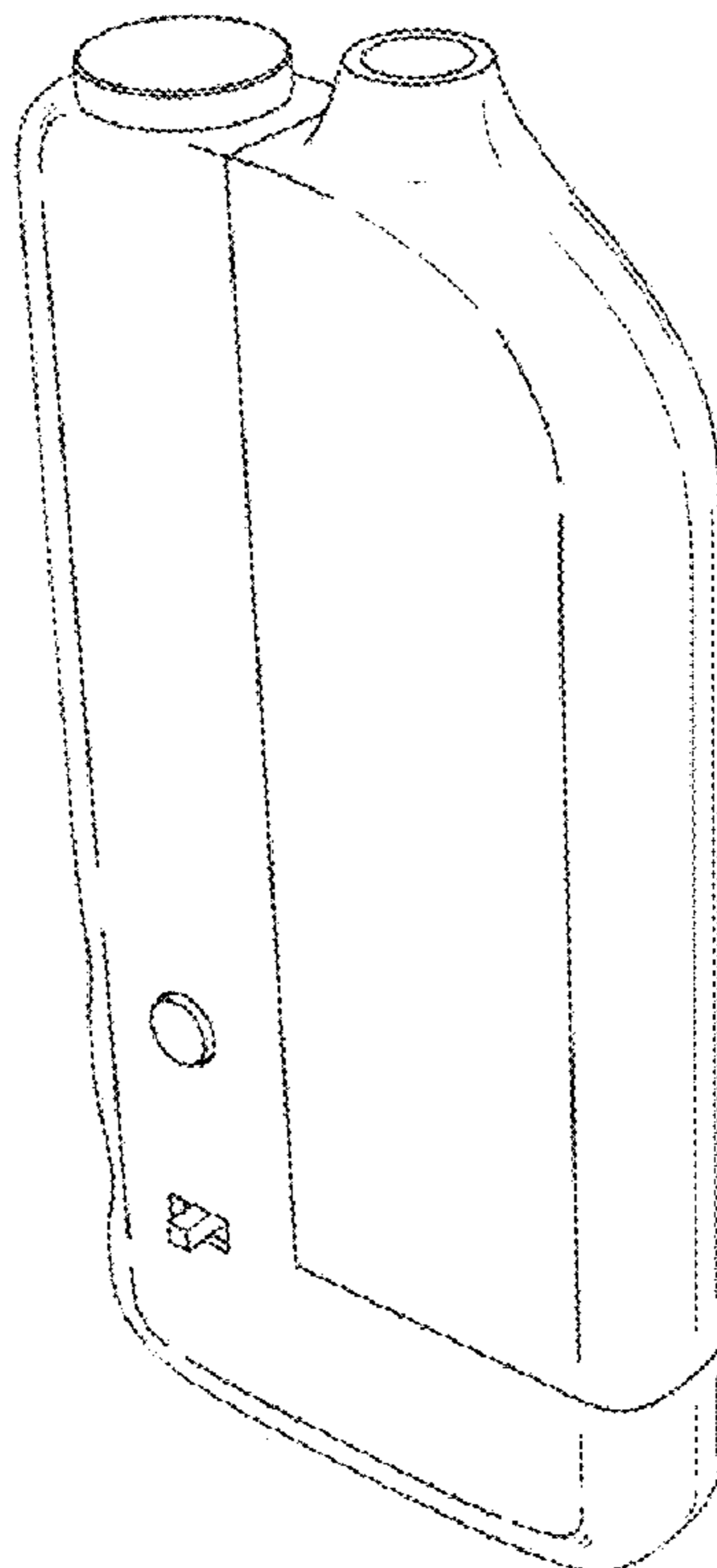
(57) **CLAIM**

The ornamental design for a vape device, as shown.

DESCRIPTION

FIG. 1 is a front view of a vape device showing our new design;
FIG. 2 is a perspective view thereof;
FIG. 3 is a left backside perspective view thereof;
FIG. 4 is a left backside perspective view thereof;
FIG. 5 is an underside bottom perspective view thereof;
FIG. 6 is a right backside perspective view thereof;
FIG. 7 is an upper back perspective view thereof; and,
FIG. 8 is a left backside perspective view thereof.

1 Claim, 2 Drawing Sheets



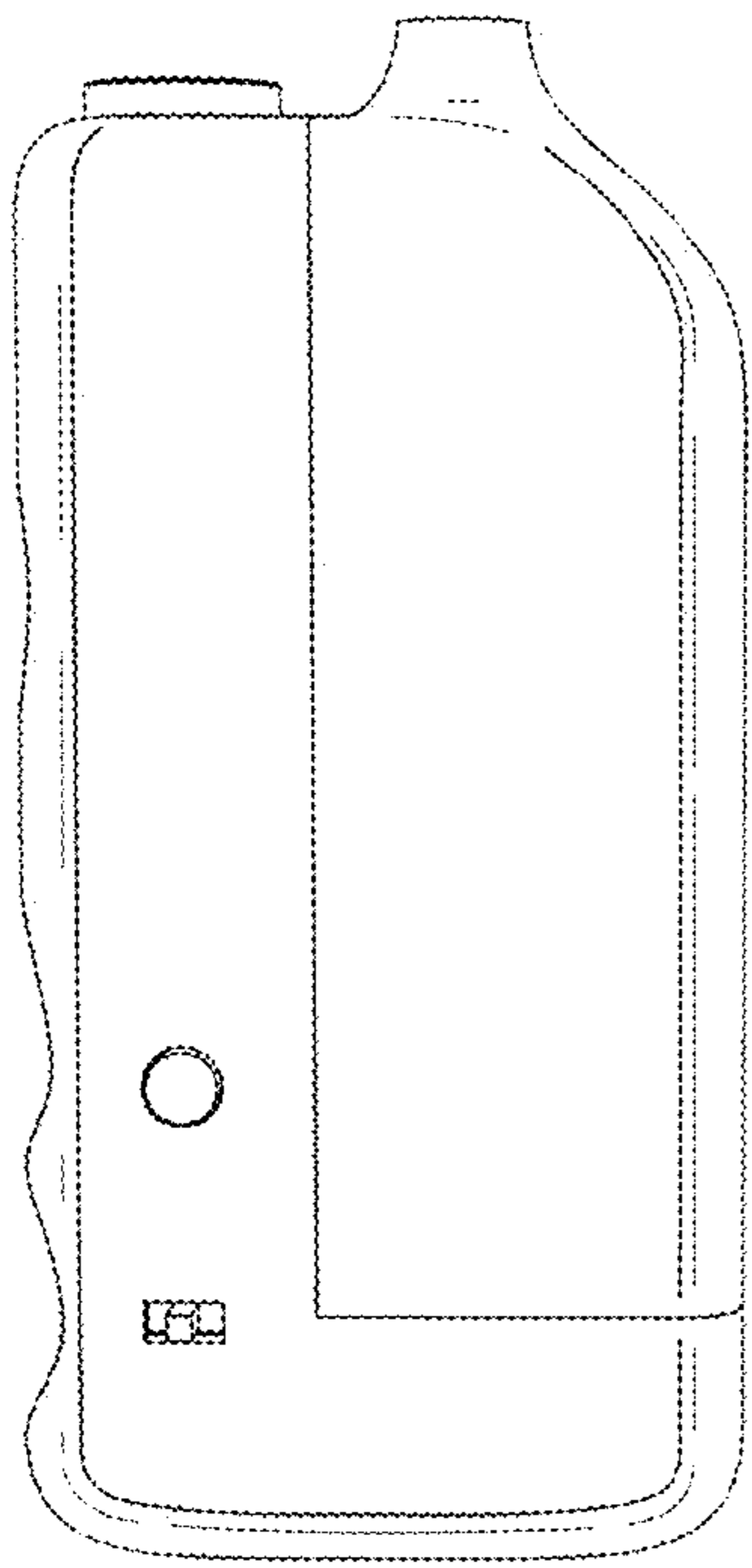


FIG. 1

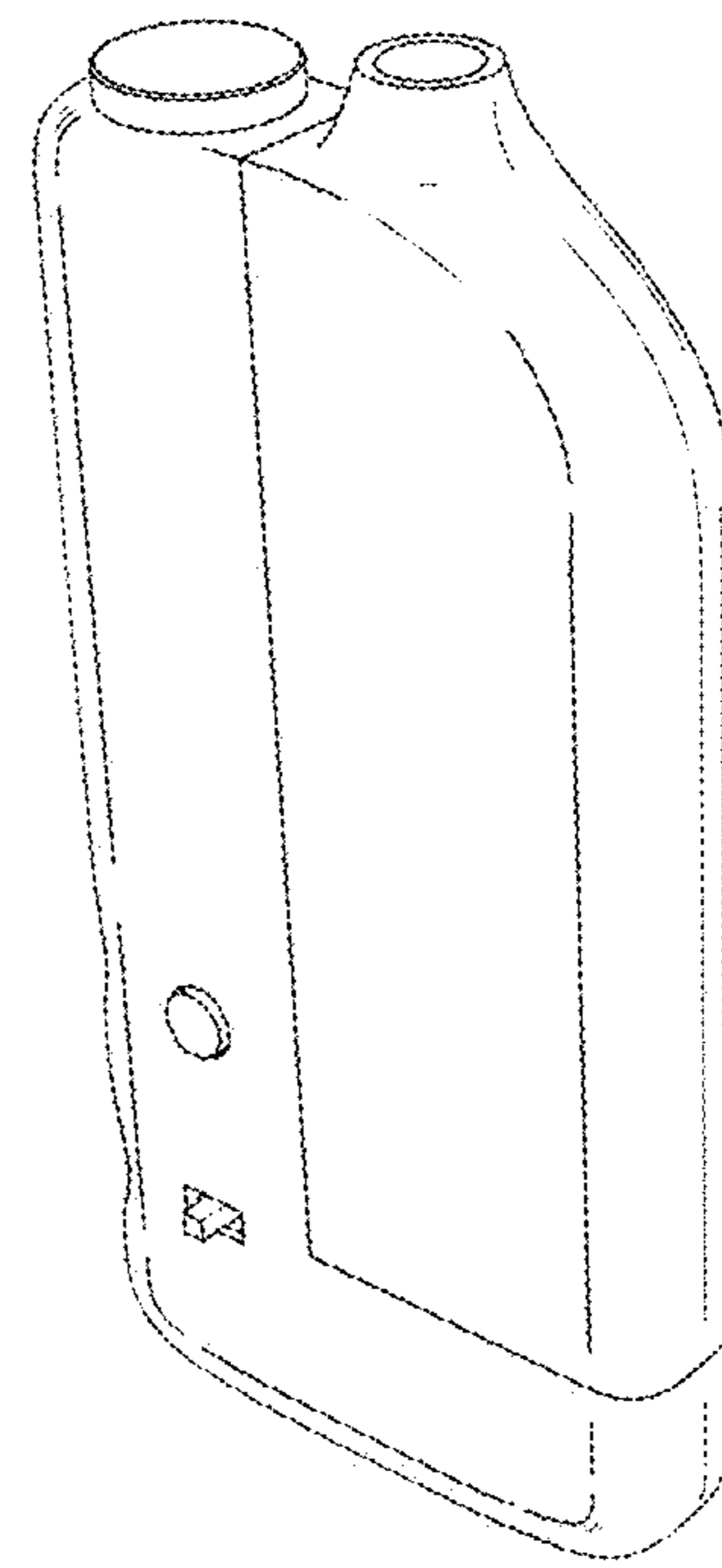


FIG. 2

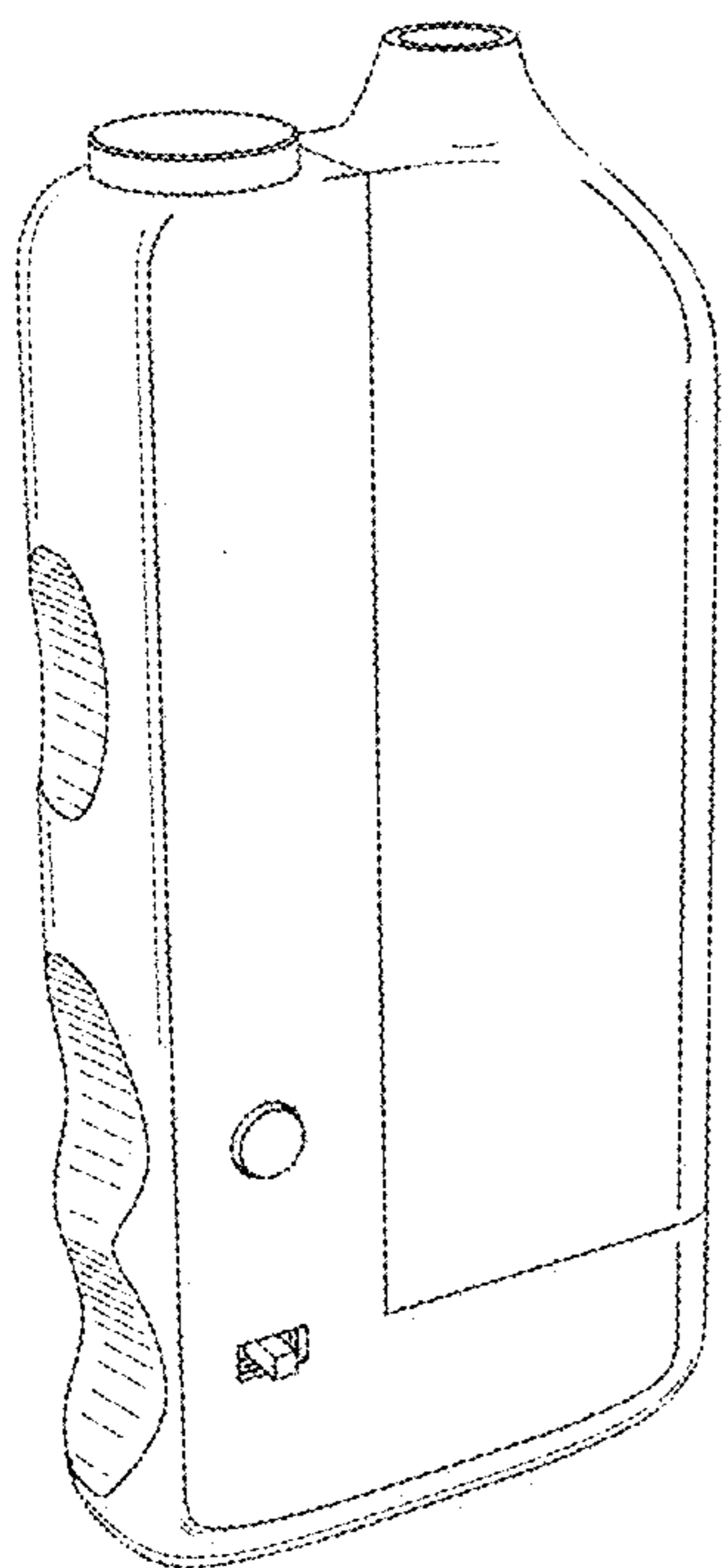


FIG. 3

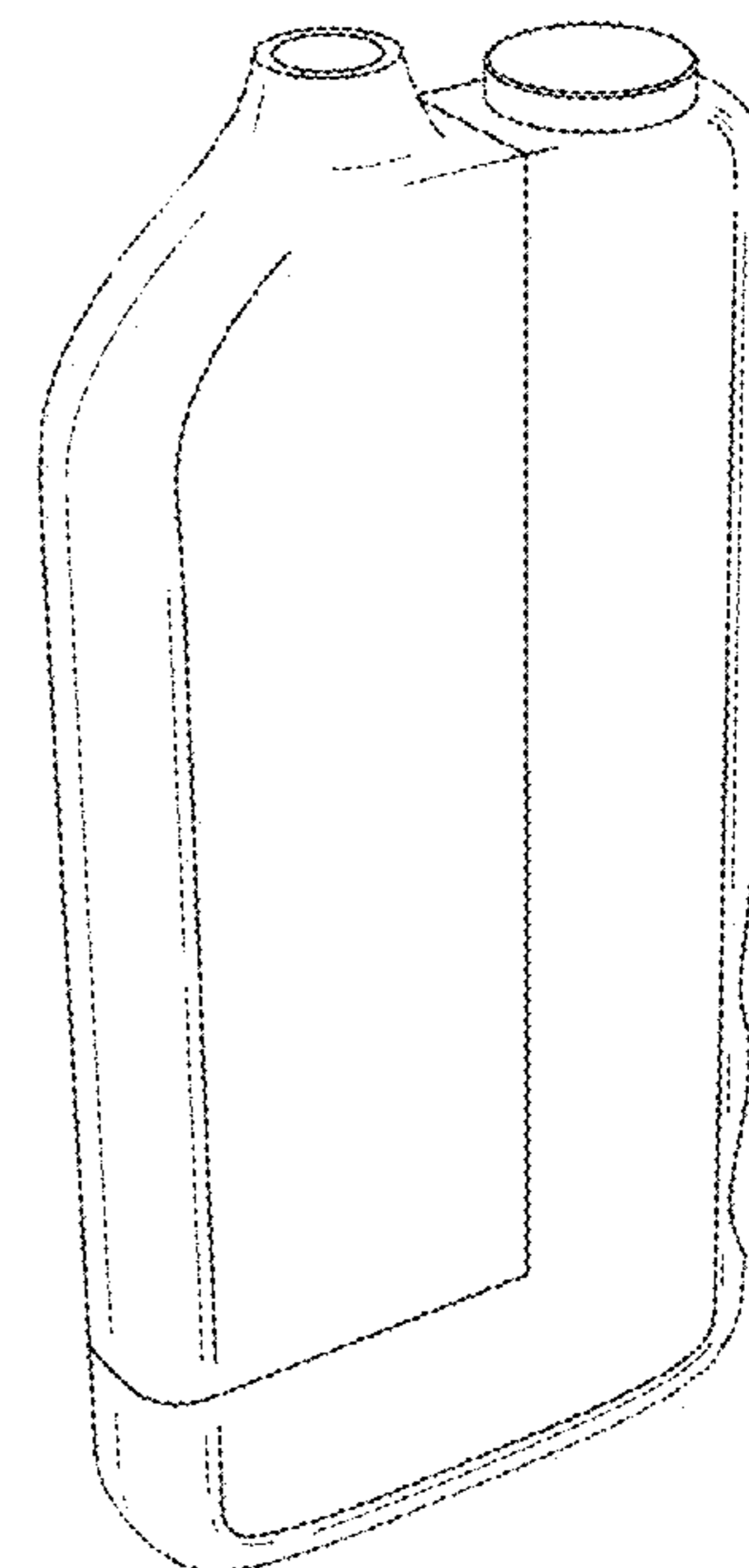


FIG. 4

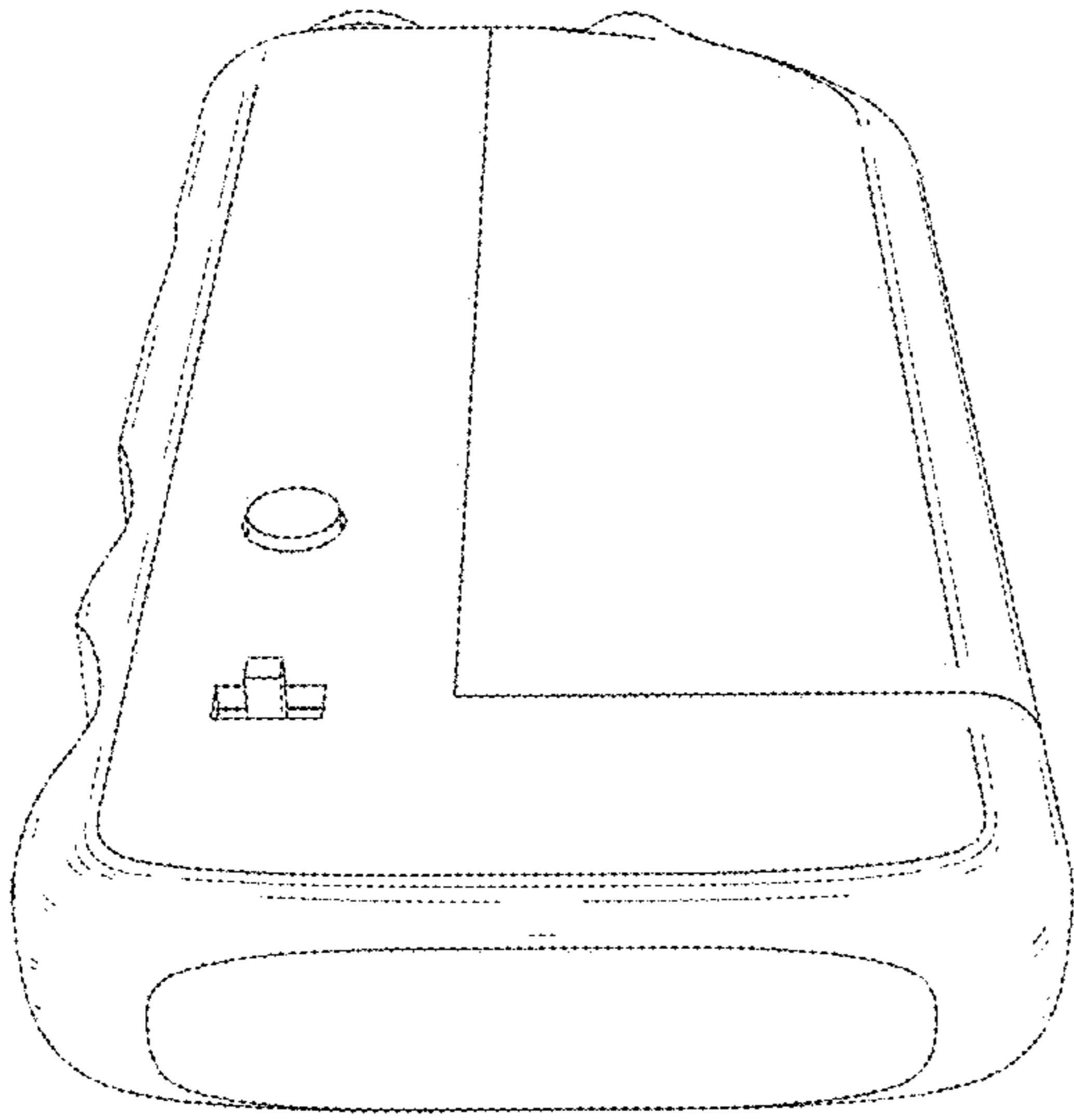


FIG. 5

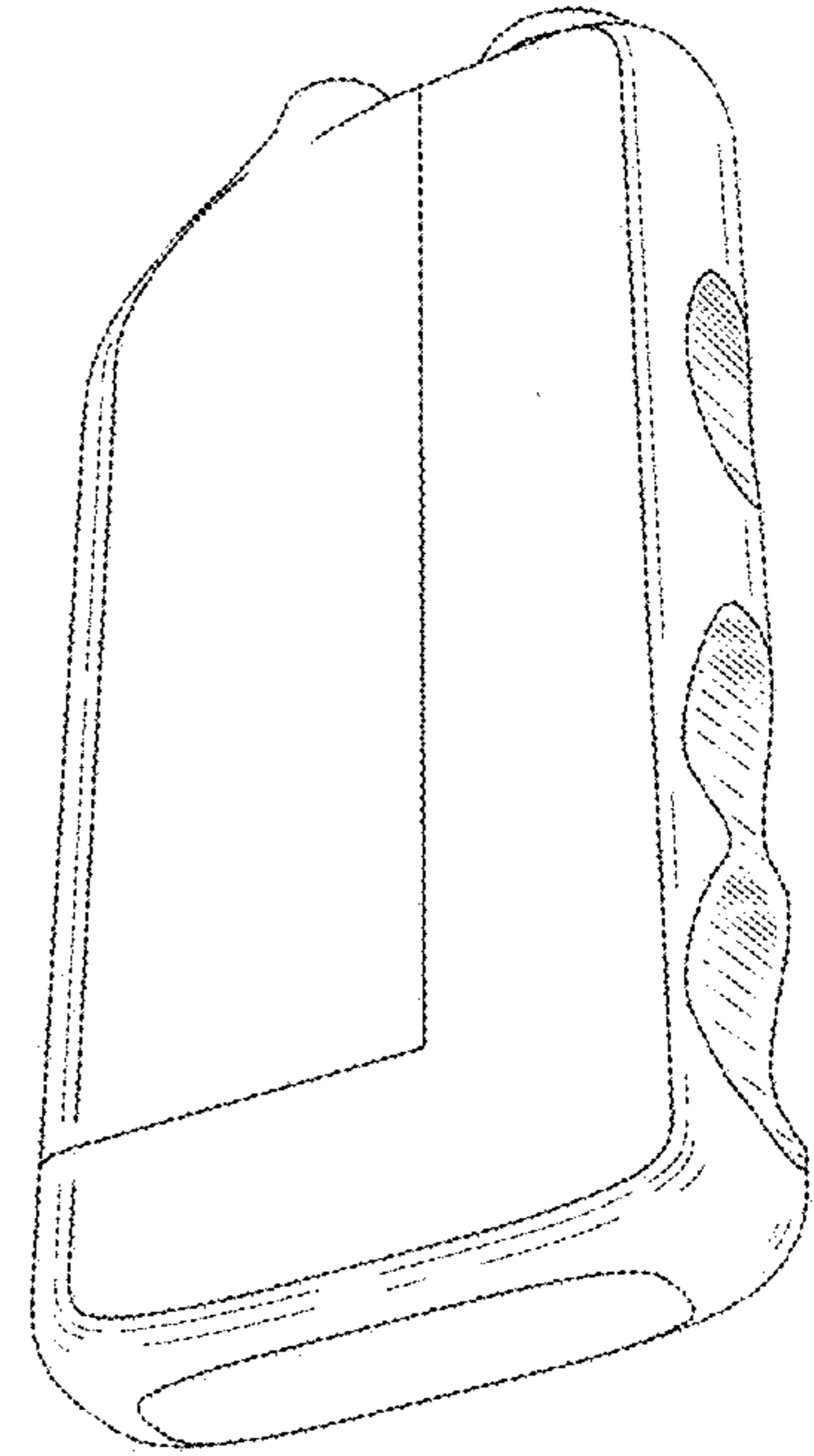


FIG. 6

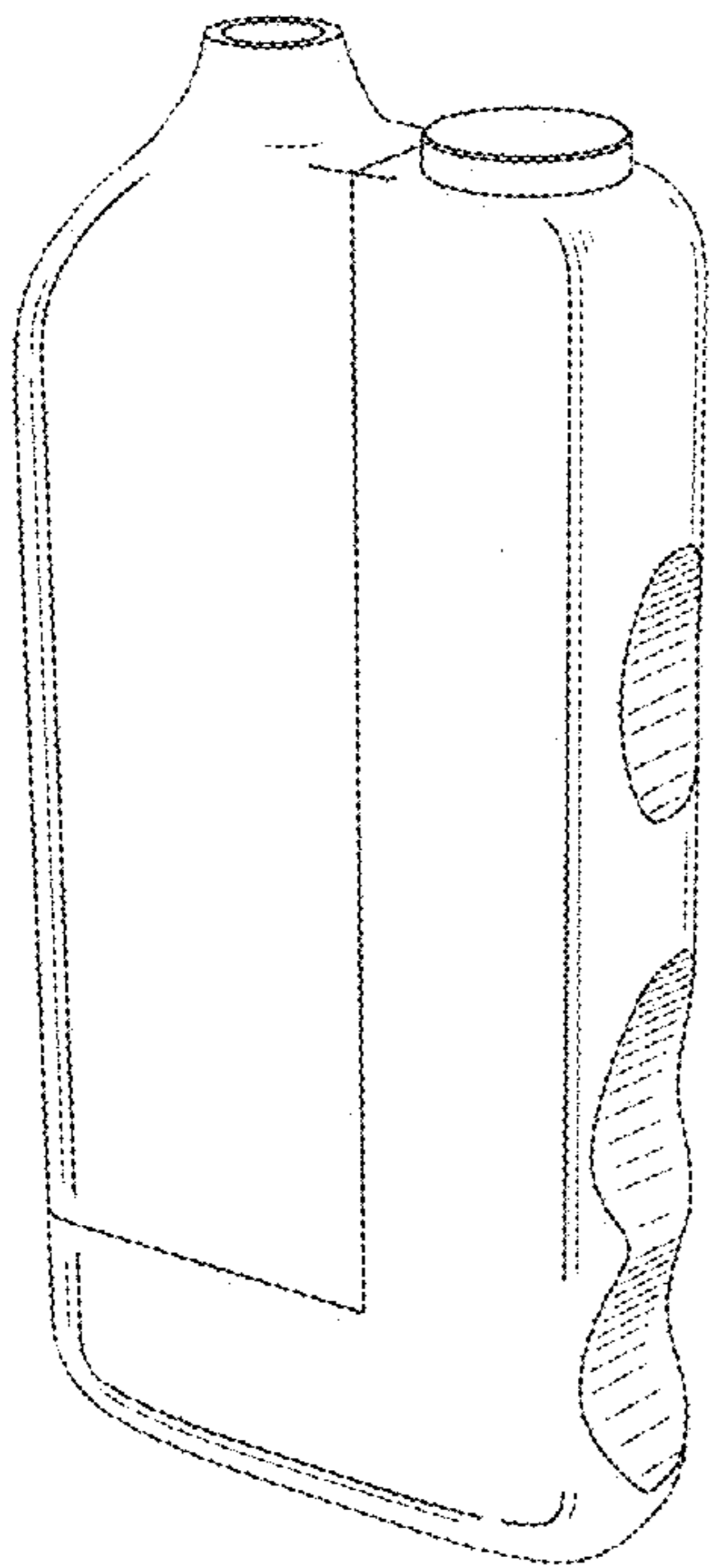


FIG. 7

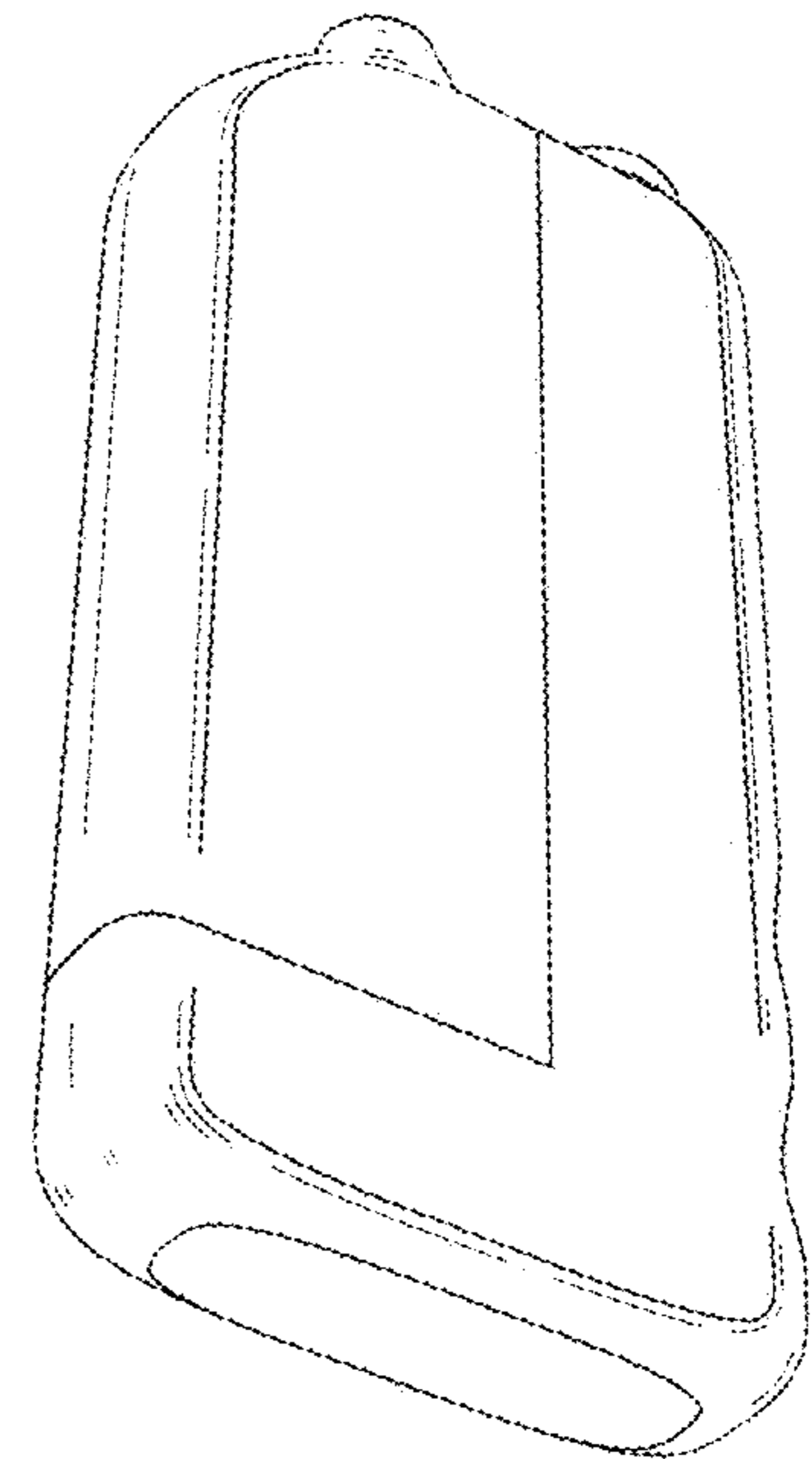


FIG. 8