



US00D946203S

(12) **United States Design Patent** (10) **Patent No.:** **US D946,203 S**
Guo (45) **Date of Patent:** **** Mar. 15, 2022**

(54) **VAPORIZER CHARGER**

(71) Applicant: **SHENZHEN ITSUWA TECHNOLOGY CO., LTD.**, Shenzhen (CN)

(72) Inventor: **Ruyun Guo**, Shenzhen (CN)

(73) Assignee: **SHENZHEN ITSUWA TECHNOLOGY CO., LTD.**, Shenzhen (CN)

(**) Term: **15 Years**

(21) Appl. No.: **29/728,494**

(22) Filed: **Mar. 19, 2020**

(30) **Foreign Application Priority Data**

Oct. 12, 2019 (CN) 201930555927.5

(51) **LOC (13) Cl.** **26-02**

(52) **U.S. Cl.**
USPC **D27/162; D27/172; D27/183; D13/107; D13/108**

(58) **Field of Classification Search**

USPC D27/100, 101, 162, 163, 164, 165, 166, D27/167, 168, 169, 170, 171, 172, 173, D27/174, 175, 176, 177, 178, 179, 180, D27/181, 182, 183, 184, 185, 186, 187, D27/188, 189, 190, 191, 192, 193; D28/91.1; D23/360, 362; D24/110, D24/110.4, 110.5, 110.6, 113; D13/103, D13/107, 108, 110, 119; D3/201, 273, D3/294

CPC A24F 40/10; A24F 40/40; A24F 40/46; A24F 40/42; A24F 40/44; A24F 40/485; A24F 40/50; A24F 40/60; A24F 40/90; A24F 40/53; A24F 40/70; A24F 40/48; A24F 40/51; A24F 40/57; A24F 40/05; A24F 40/65; A24F 40/20; A24F 47/002; A24F 40/30; A24F 7/00; A24F 47/00; A24F 1/32; A24F 40/00; A24F 40/49;

A24F 40/85; A24F 40/95; A24F 7/04; A24F 9/16; A24F 47/008; A24F 15/015; A24F 40/465; A24F 42/60; A24F 1/02; A24F 2700/03; A24F 47/006; A24F 13/00; A24F 13/14; A24F 15/01; A24F 15/12; A24F 15/14; A24F 15/18; A24F 42/00; A24F 42/10;

(Continued)

(56) **References Cited**

U.S. PATENT DOCUMENTS

D303,041 S * 8/1989 Thompson D6/632
D419,259 S * 1/2000 Johnson D27/175

(Continued)

Primary Examiner — Marissa J Cash

Assistant Examiner — William B Melliar

(74) *Attorney, Agent, or Firm* — WPAT, PC

(57) **CLAIM**

The ornamental design for a vaporizer charger, as shown and described.

DESCRIPTION

FIG. 1 is a perspective view of a vaporizer charger, showing the new design;

FIG. 2 is a front view thereof;

FIG. 3 is a rear view thereof;

FIG. 4 is a left-side view thereof;

FIG. 5 is a right-side view thereof;

FIG. 6 is a top view thereof;

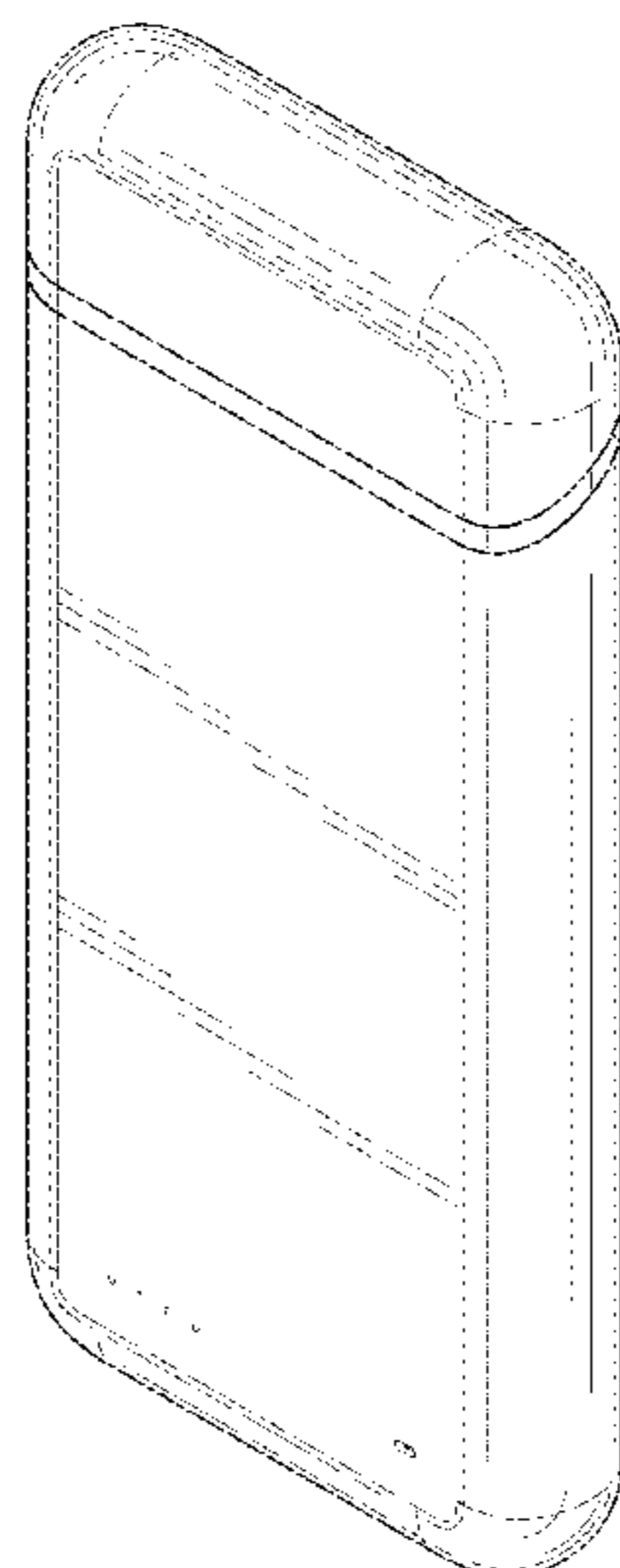
FIG. 7 is a bottom view thereof; and,

FIG. 8 is an enlarged view of the selected portion in FIG. 2.

The broken lines in the figures illustrate portions of the vaporizer charger that form no part of the claimed design; and

The additional dot-dot-dash lines surrounding the detail in FIGS. 2 and 8 are for annotative purposes only and form no part thereof.

1 Claim, 6 Drawing Sheets



(58) **Field of Classification Search**

CPC .. A24F 7/02; A24F 47/004; A24F 1/00; A24F 42/20; A61M 11/042; A61M 15/06; A61M 2205/82; A61M 15/002; A61M 11/041; A61M 15/0001; A61M 15/0085; A61M 11/001; A61M 11/04; A61M 11/044; A61M 15/0015; A61M 15/0021; A61M 15/0028; A61M 15/0091; A61M 15/0095; A61M 16/0808; A61M 2205/0211; A61M 2205/0238; A61M 2205/0272; A61M 2205/123; A61M 2205/3334; A61M 2205/58; A61M 2205/7536; A61M 2205/3653; A61M 2205/18; A61M 2205/3317; A61M 2205/50; A61M 2205/52; A61M 2205/3368; A24B 15/167

See application file for complete search history.

(56) **References Cited**

U.S. PATENT DOCUMENTS

D656,094 S * 3/2012 Wu D27/189
 D700,994 S * 3/2014 Alarcon D27/189
 D723,733 S * 3/2015 Liu D27/189
 D733,278 S * 6/2015 Newlin D23/366

D735,476 S * 8/2015 Duvigneau D3/294
 D736,996 S * 8/2015 Liu D27/189
 D737,505 S * 8/2015 Liu D27/189
 D760,431 S * 6/2016 Liu D27/189
 D787,443 S * 5/2017 Chiang D13/110
 D806,388 S * 1/2018 Akana D3/294
 D818,195 S * 5/2018 Burger D27/186
 D824,326 S * 7/2018 Yu D13/103
 D832,504 S * 10/2018 Qiu D27/163
 D833,065 S * 11/2018 Alarcon D27/186
 D883,197 S * 5/2020 Doucet D13/107
 D884,961 S * 5/2020 He D27/101
 D885,327 S * 5/2020 Leeds-Frank D13/103
 D885,651 S * 5/2020 Miyamoto D27/101
 D892,396 S * 8/2020 Lai D27/162
 D898,664 S * 10/2020 Bhutani D13/108
 D902,852 S * 11/2020 Lin D13/108
 D904,023 S * 12/2020 Wang D3/294
 D909,963 S * 2/2021 Liang D13/103
 D910,553 S * 2/2021 Cramer D13/108
 D911,950 S * 3/2021 Zhang D13/108
 D923,564 S * 6/2021 Liao D13/108
 D924,132 S * 7/2021 Turksu D13/108
 D924,797 S * 7/2021 Scheurer D13/108
 D926,361 S * 7/2021 Wang D27/162
 D933,595 S * 10/2021 Geng D13/108
 2015/0102777 A1 * 4/2015 Cooper H02J 7/0045
 320/114

* cited by examiner

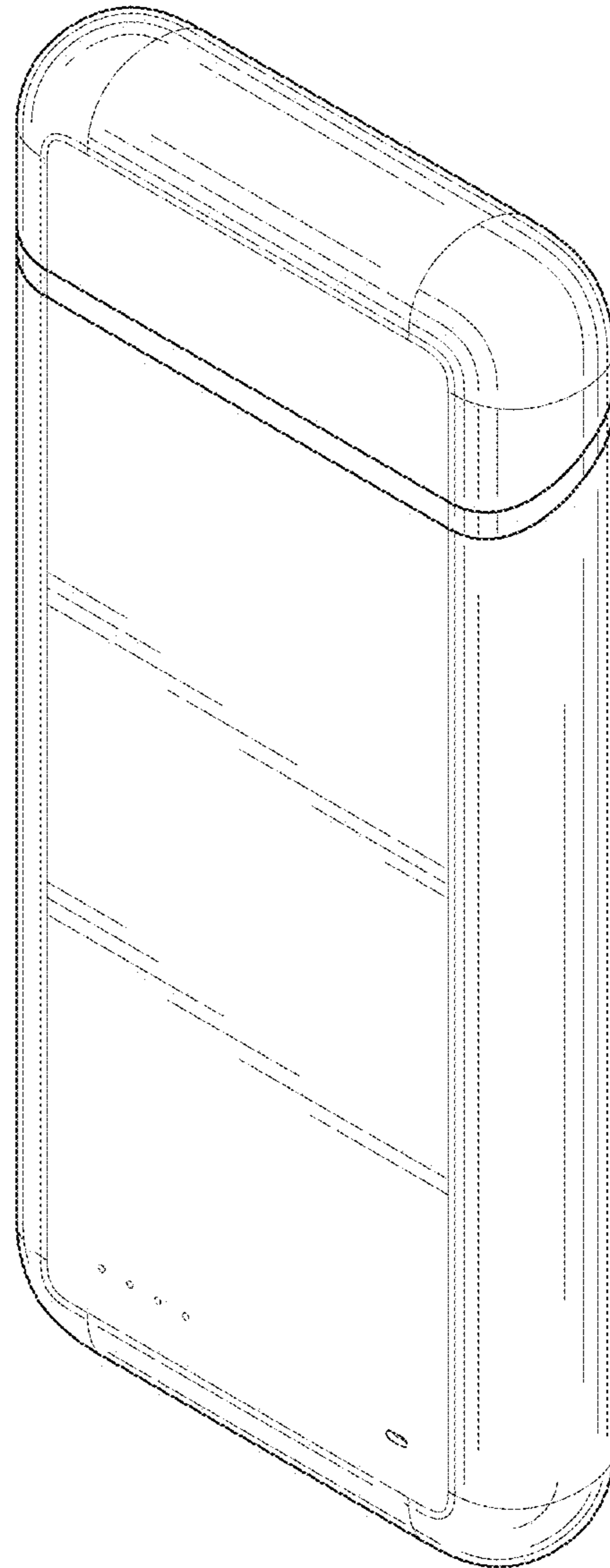


FIG. 1

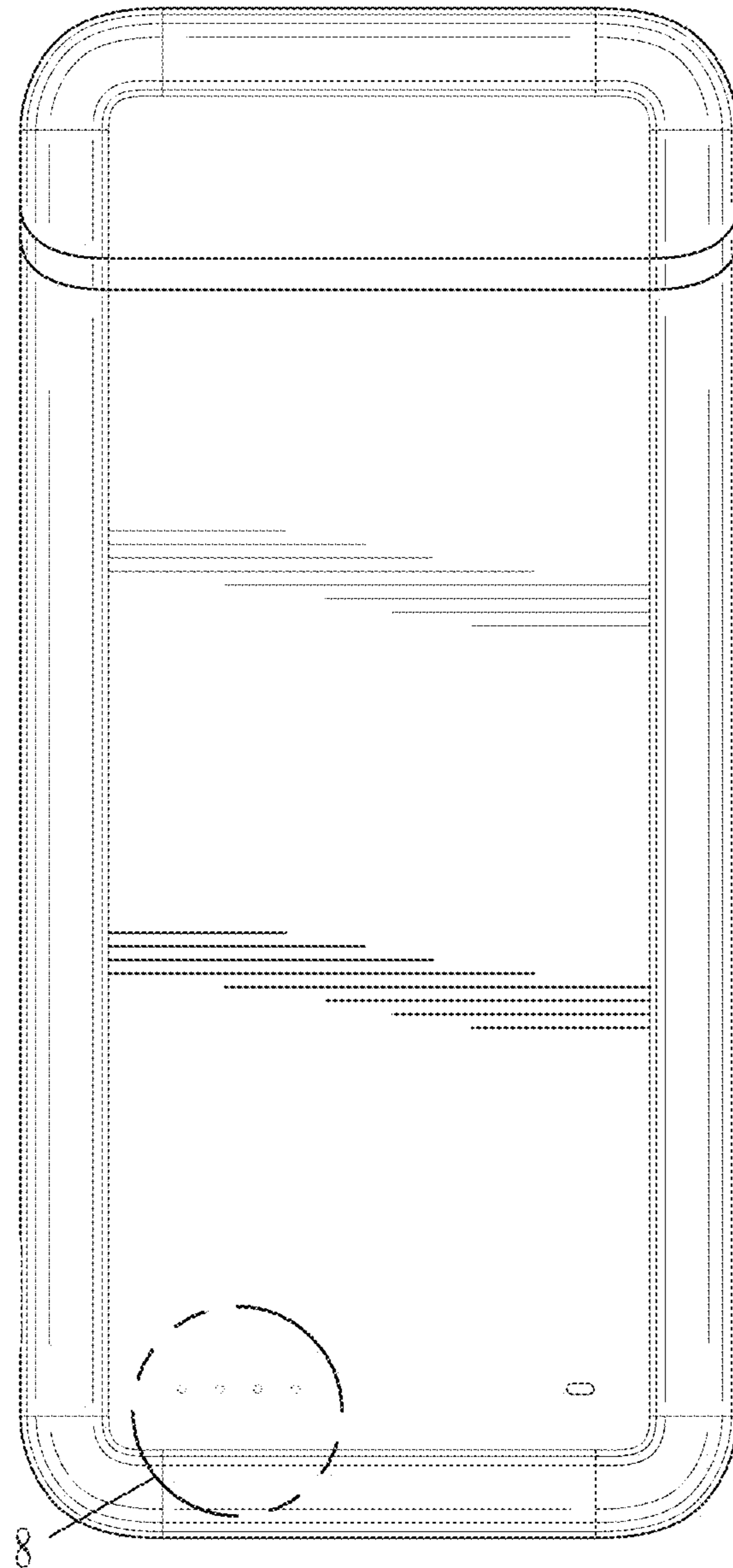


FIG. 2

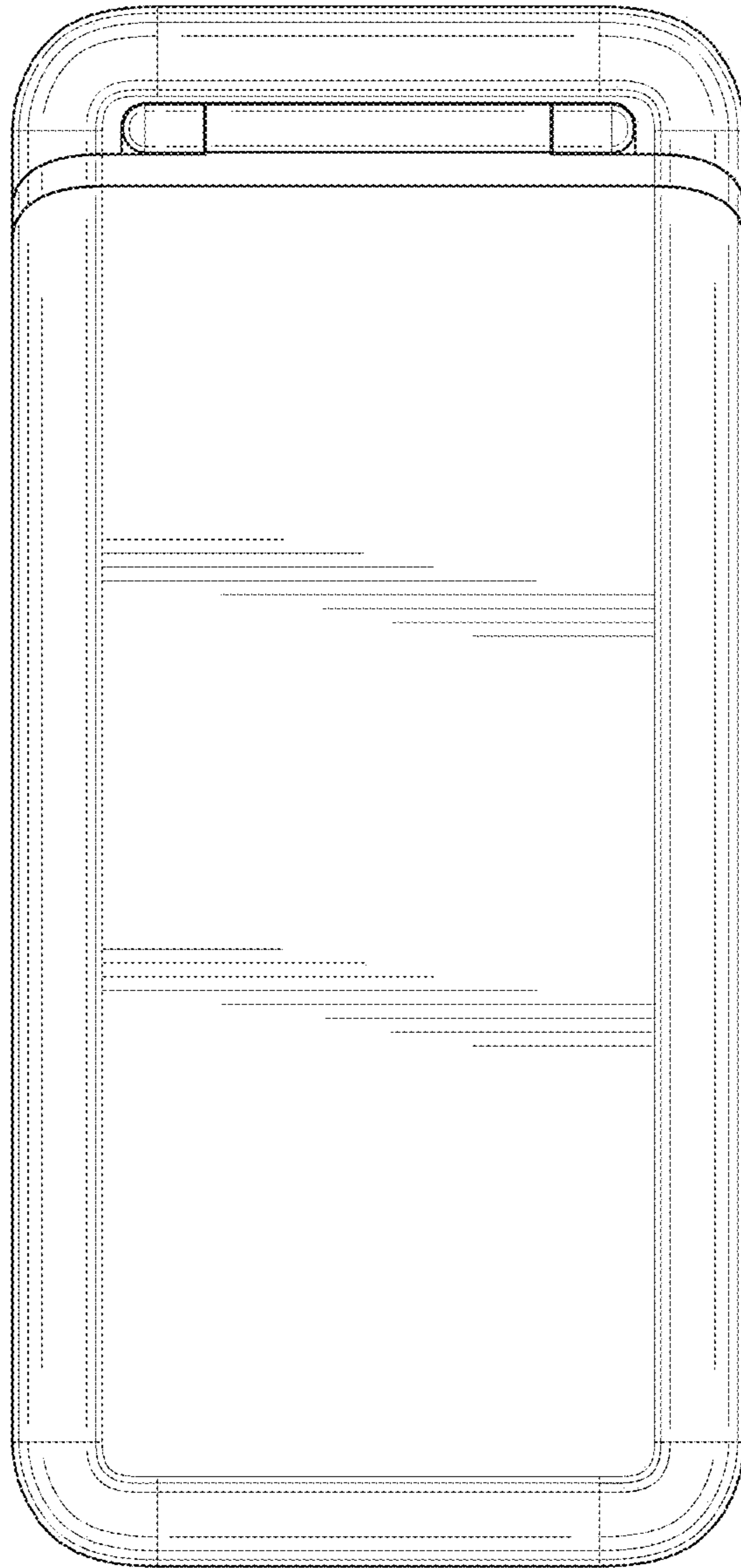


FIG. 3

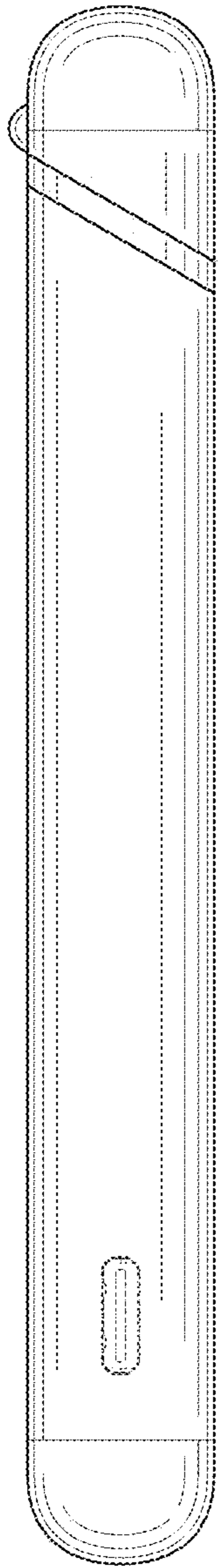


FIG. 4

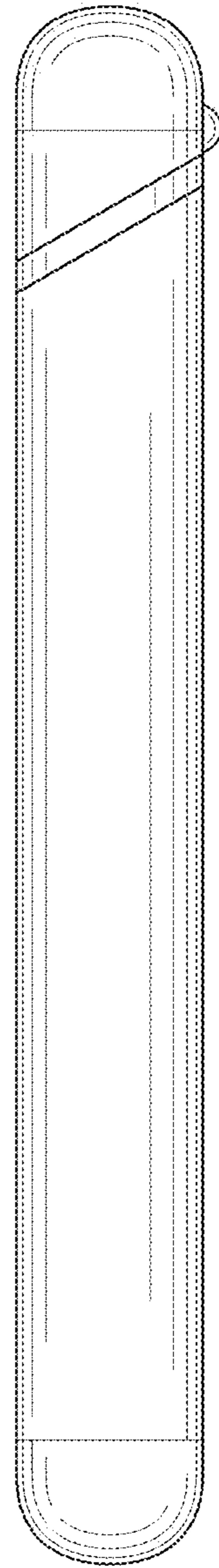


FIG. 5

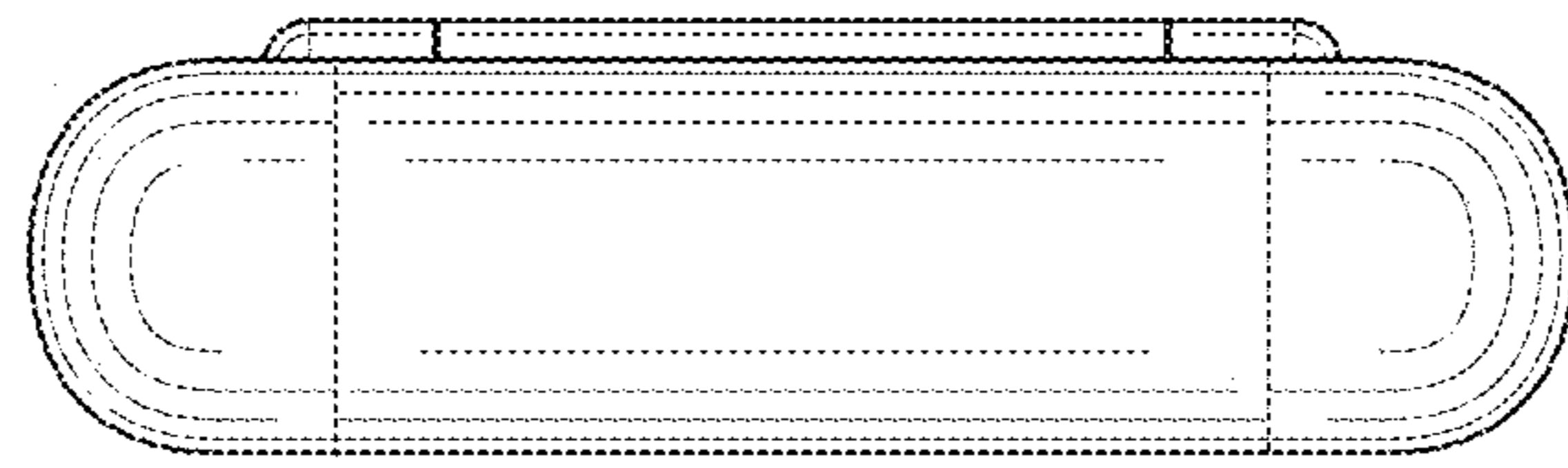


FIG. 6

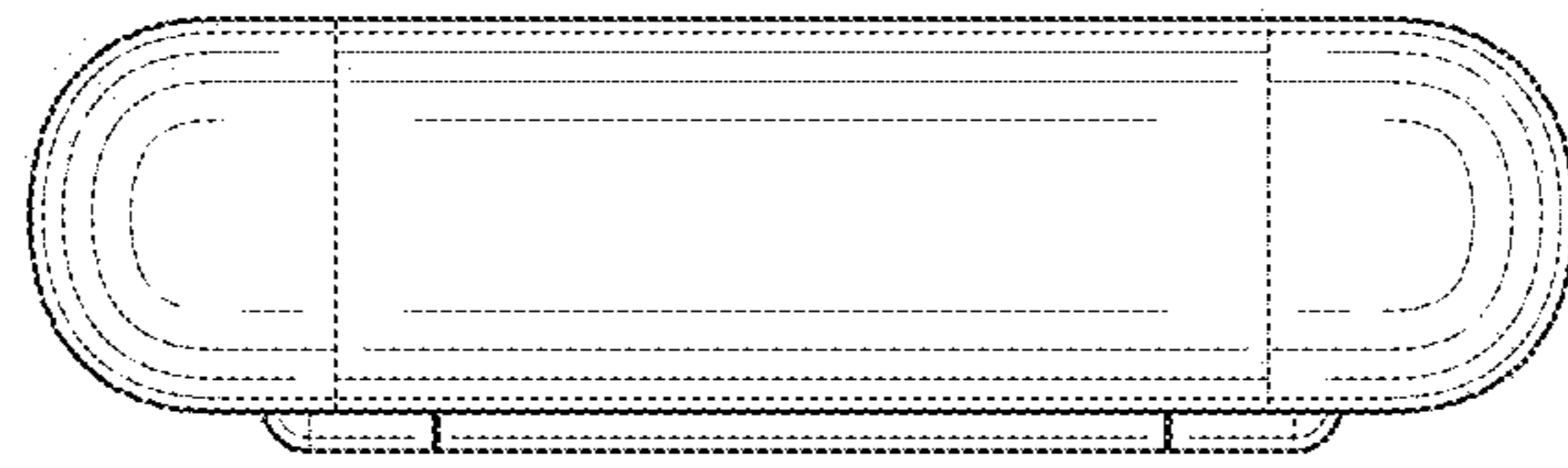


FIG. 7

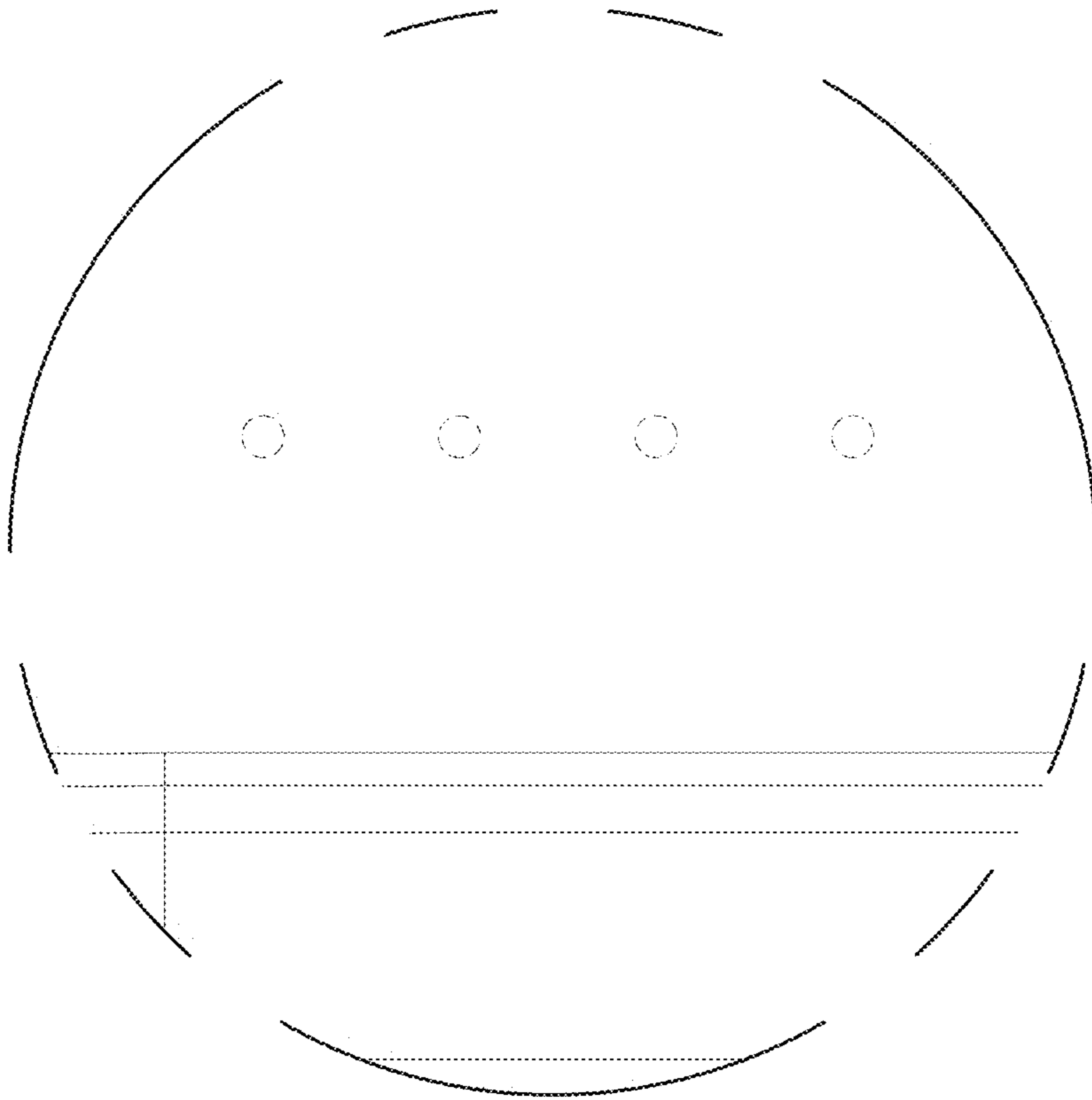


FIG. 8