



US00D946202S

(12) **United States Design Patent** (10) **Patent No.:** **US D946,202 S**  
**Zouev** (45) **Date of Patent:** **\*\* Mar. 15, 2022**

(54) **HOOKAH COMPONENT**  
(71) Applicant: **MVA Canada Inc**, Concord (CA)  
(72) Inventor: **Alexander Zouev**, Georgetown (CA)  
(73) Assignee: **MVA CANADA INC**  
(\*\*) Term: **15 Years**  
(21) Appl. No.: **29/713,336**  
(22) Filed: **Nov. 15, 2019**  
(51) **LOC (13) Cl.** ..... **27-02**  
(52) **U.S. Cl.**  
USPC ..... **D27/162**  
(58) **Field of Classification Search**  
USPC ..... D27/162, 100, 103, 163–165, 167, 168,  
D27/169, 180, 183, 194  
CPC ..... A24F 1/30; A24F 1/02; A24F 1/00; A24F  
47/008; A24F 47/002; A61M 11/00  
See application file for complete search history.

(56) **References Cited**  
U.S. PATENT DOCUMENTS  
D249,711 S \* 9/1978 Flesher ..... D27/162  
D665,126 S \* 8/2012 Lin ..... D27/194  
D732,648 S \* 6/2015 Speh ..... D23/360  
D771,420 S \* 11/2016 Almaghlouth ..... D6/691.4  
D790,263 S \* 6/2017 Almaghlouth ..... D6/691.4  
D816,895 S \* 5/2018 Ren ..... D27/162  
D836,834 S \* 12/2018 Cividi ..... D27/194  
D864,473 S \* 10/2019 Reimann ..... D27/162  
D882,865 S \* 4/2020 Fornarelli ..... D27/162  
2020/0352252 A1 \* 11/2020 Smith ..... A24F 40/80

\* cited by examiner

*Primary Examiner* — Marissa J Cash  
*Assistant Examiner* — Rebecca Tsehaye  
(74) *Attorney, Agent, or Firm* — Merek, Blackmon & Voorhees, LLC

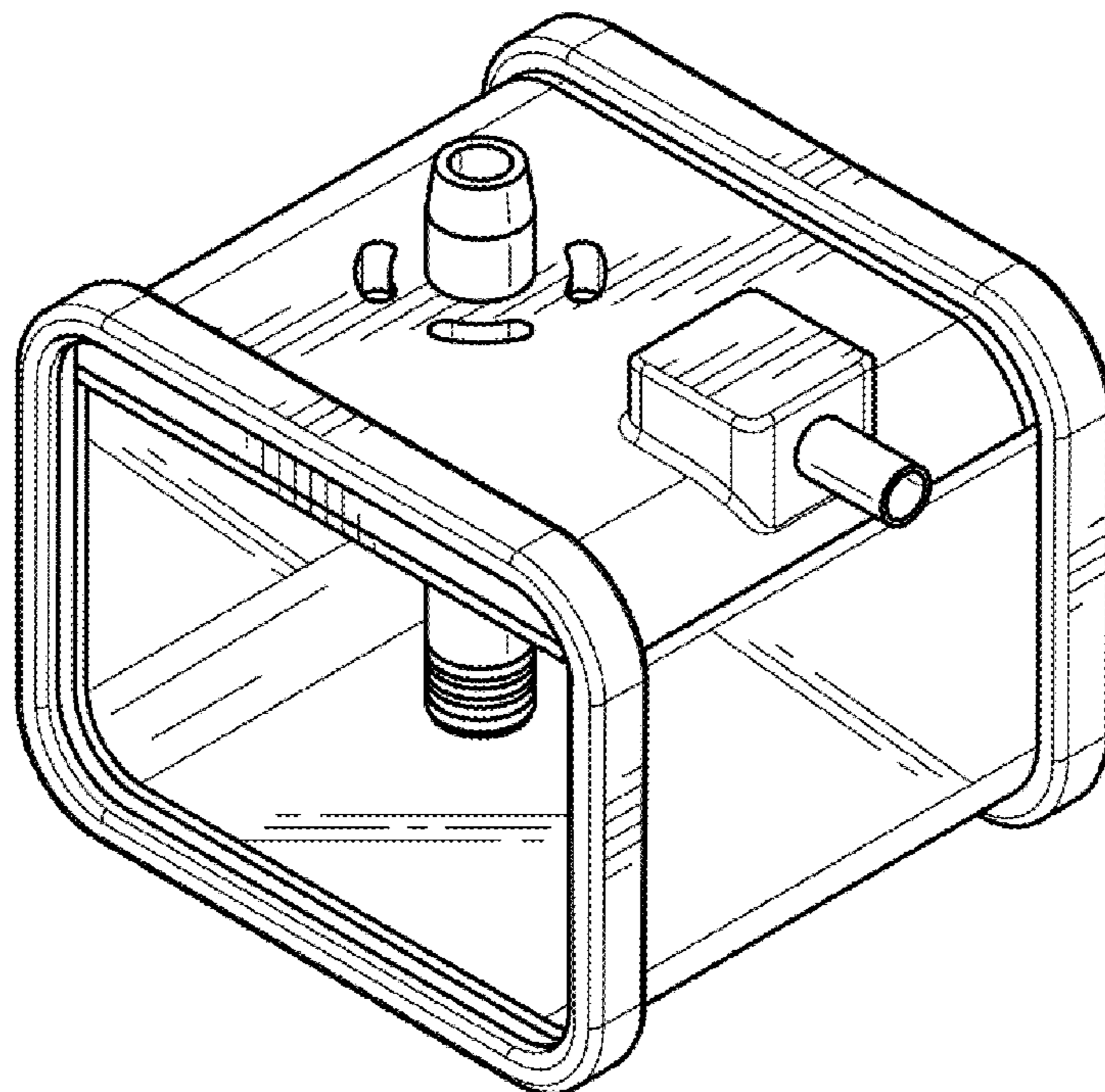
(57) **CLAIM**

The ornamental design for a hookah component, as shown and described.

**DESCRIPTION**

FIG. 1 is a top, left side perspective view of a hookah component;  
FIG. 2 is a bottom, left side perspective view of the hookah component shown in FIG. 1;  
FIG. 3 is a top view of the hookah component shown in FIG. 1;  
FIG. 4 is a bottom view of the hookah component shown in FIG. 1;  
FIG. 5 is a front elevational view of the hookah component shown in FIG. 1;  
FIG. 6 is a rear elevational view of the hookah component shown in FIG. 1; and,  
FIG. 7 is a left side elevational view of the hookah component shown in FIG. 1.  
The right side elevational view of the first embodiment of the hookah component is a mirror image of the left side elevational view depicted in FIG. 7.  
The broken lines in the drawings depict portions of the hookah component that form no part of the claimed design.

**1 Claim, 4 Drawing Sheets**



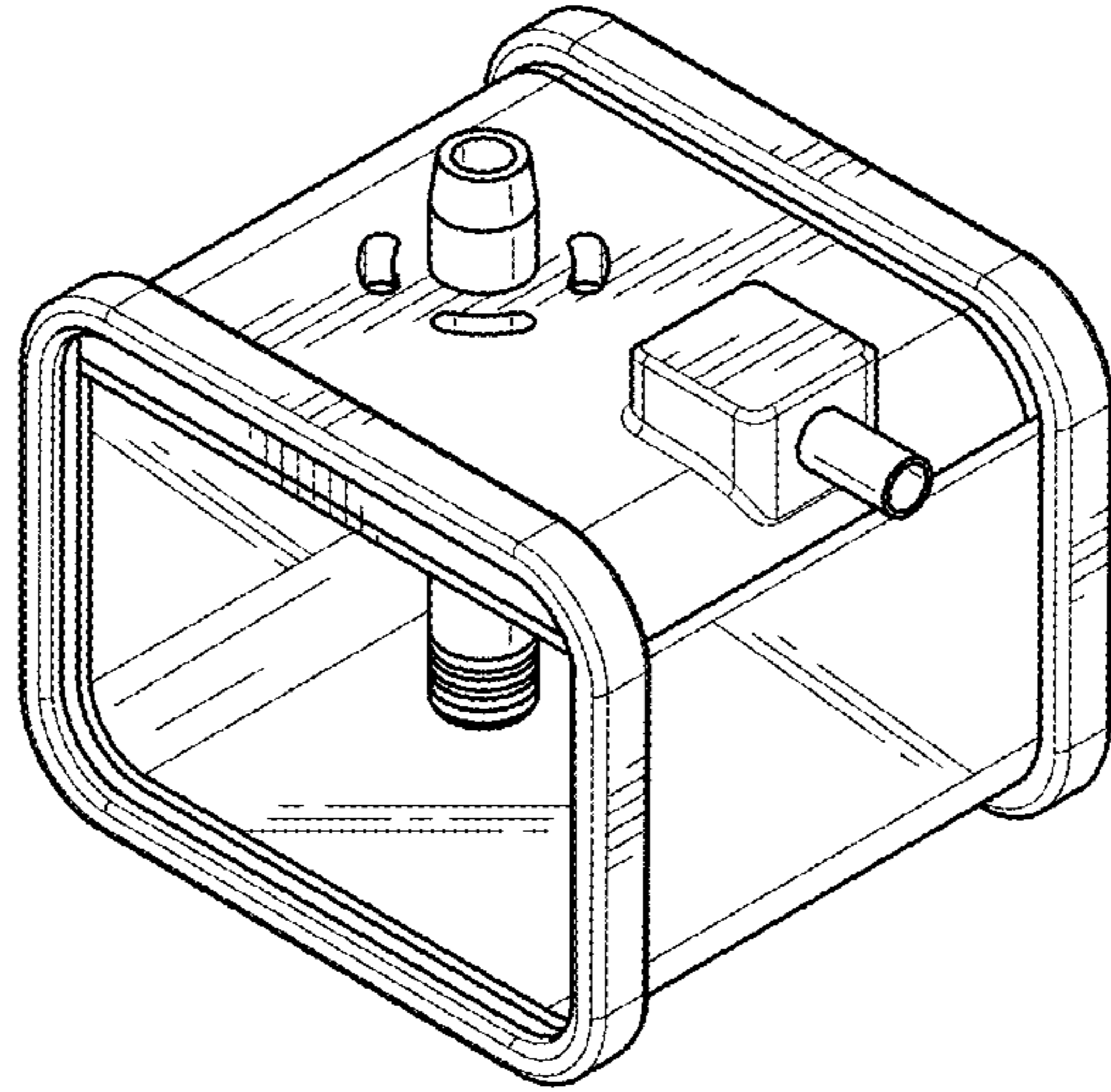


FIG. 1

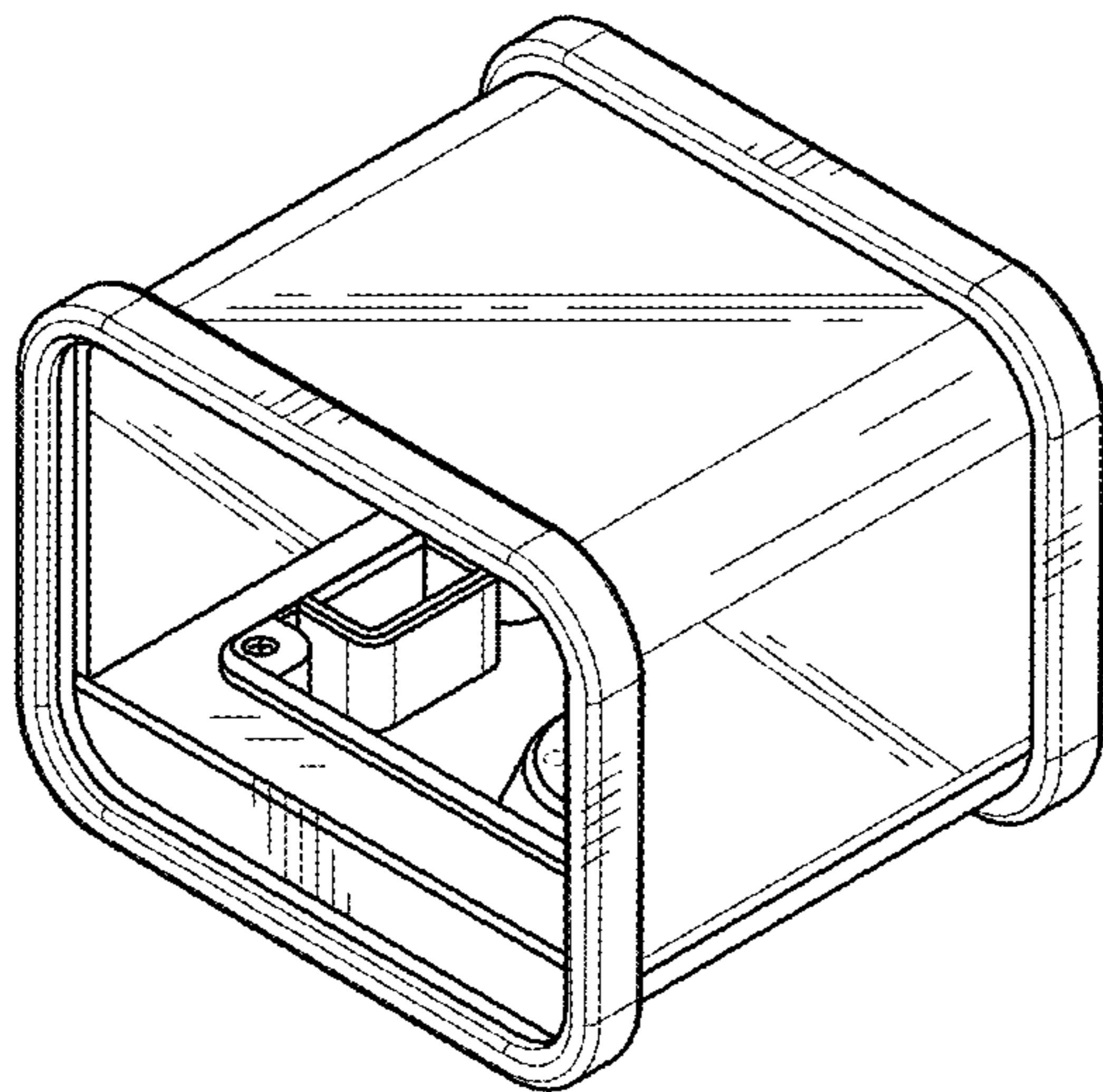


FIG. 2

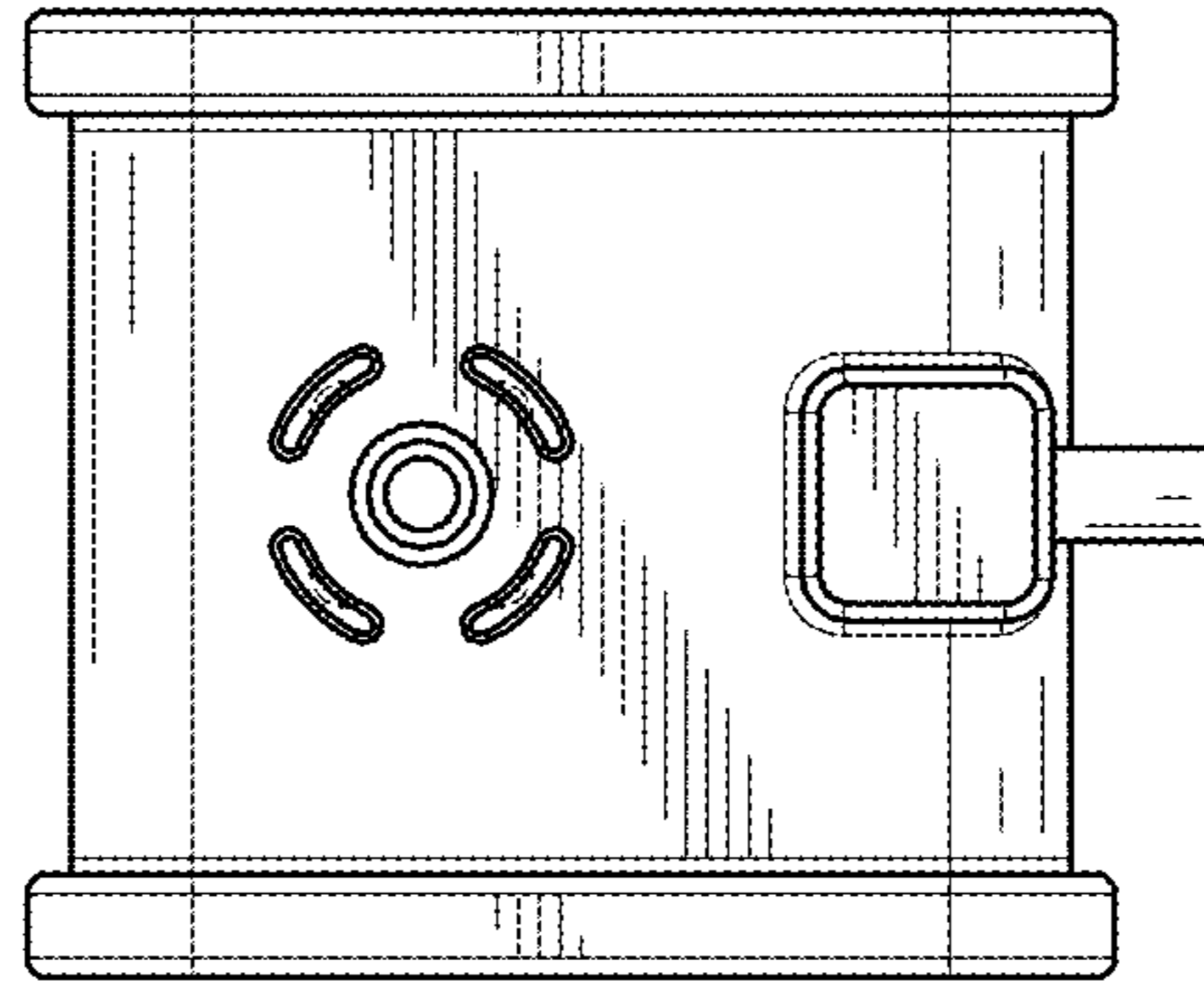


FIG. 3

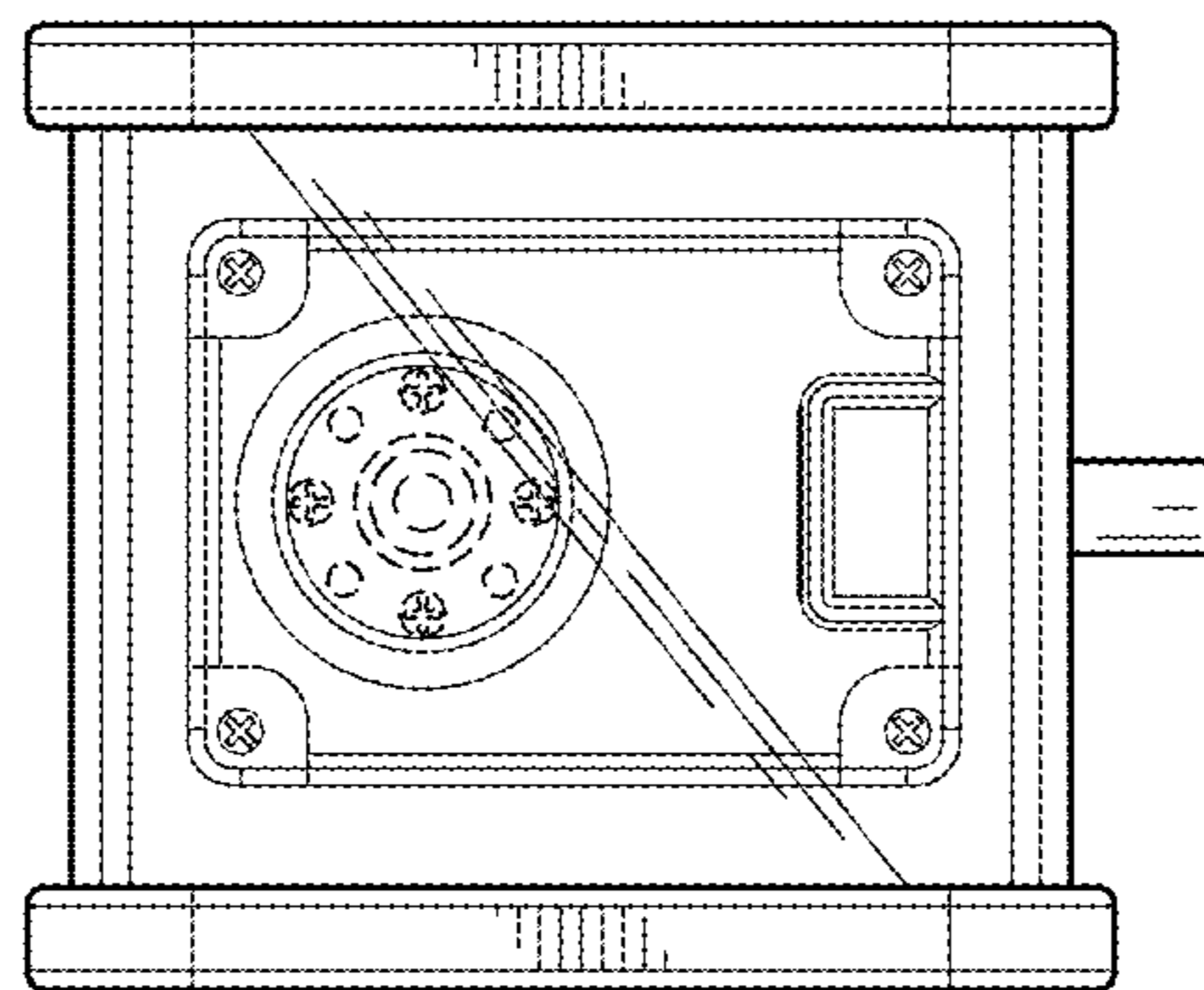


FIG. 4

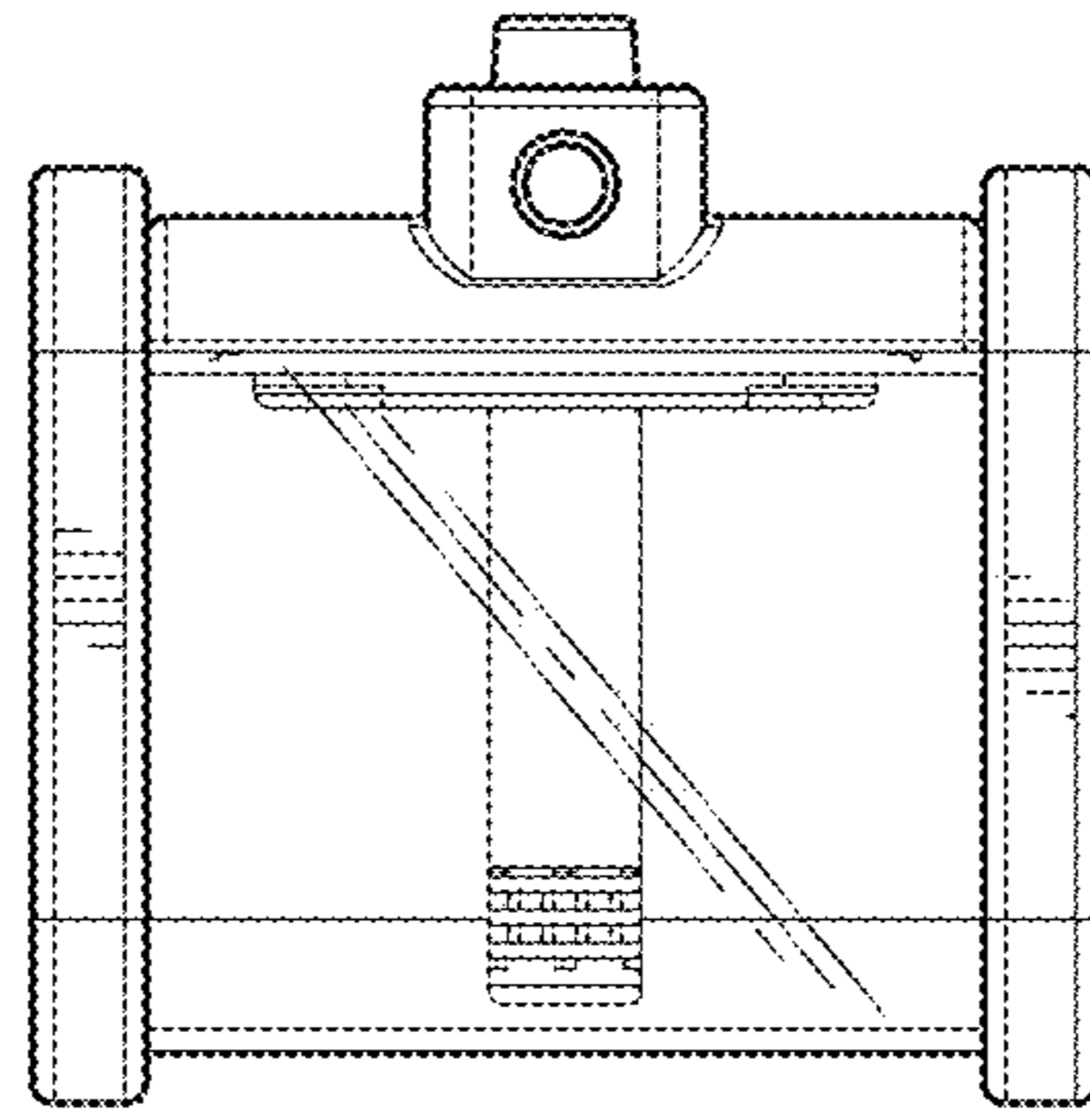


FIG. 5

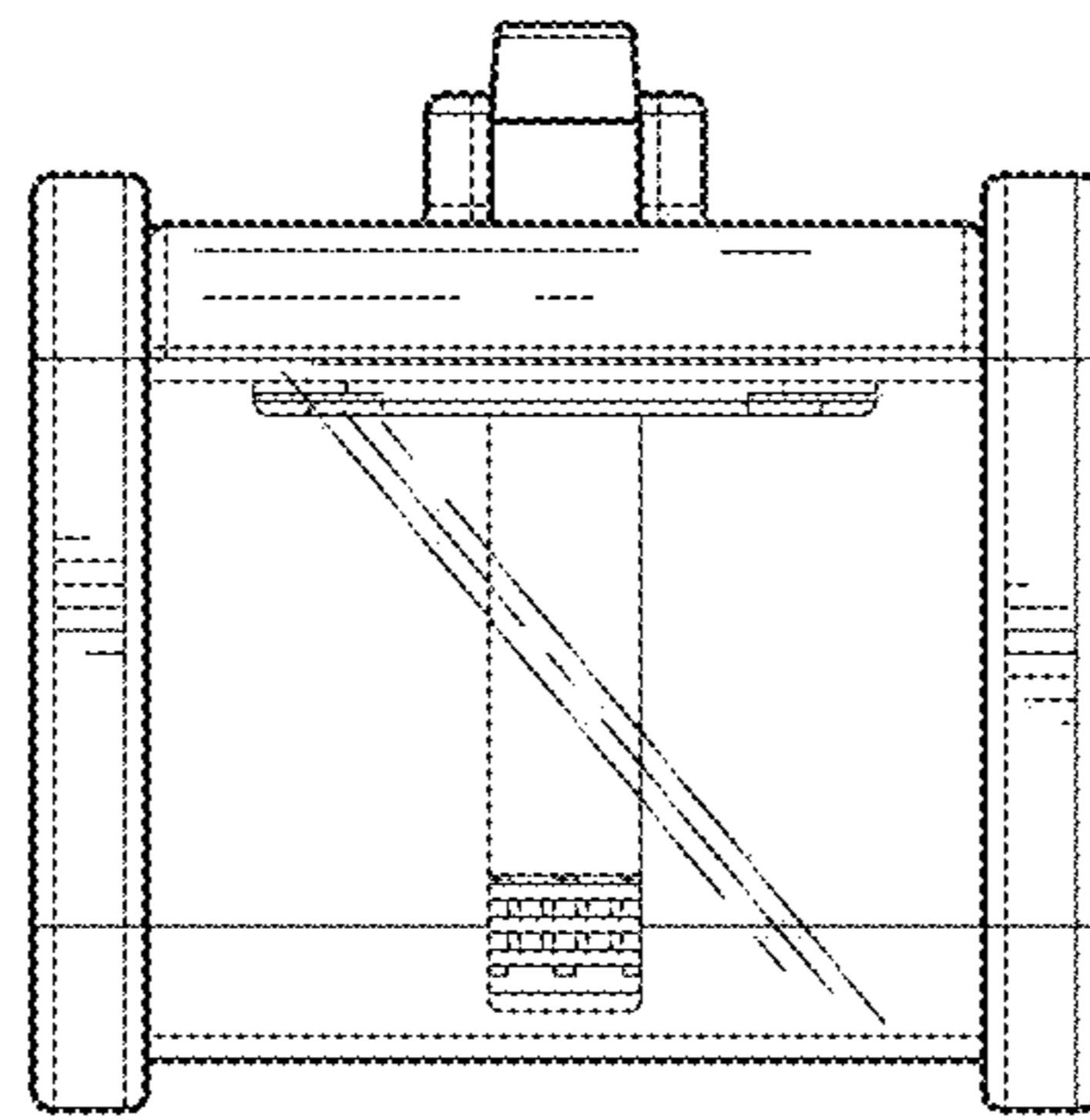


FIG. 6

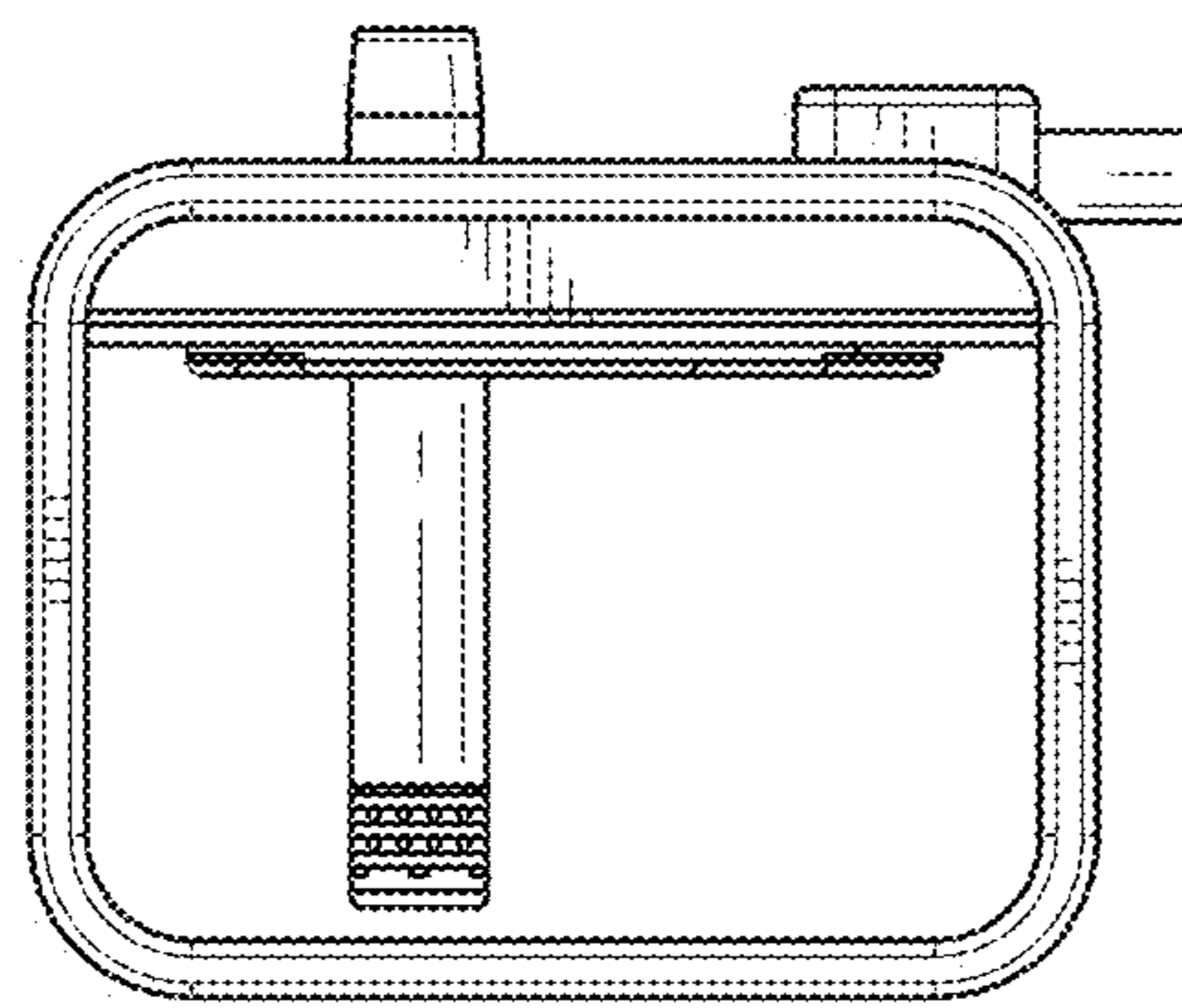


FIG. 7