



US00D946201S

(12) **United States Design Patent**
Cai

(10) **Patent No.:** **US D946,201 S**
(45) **Date of Patent:** **** Mar. 15, 2022**

- (54) **LIGHTER**
- (71) Applicant: **Jintao Cai**, Laohekou (CN)
- (72) Inventor: **Jintao Cai**, Laohekou (CN)
- (**) Term: **15 Years**
- (21) Appl. No.: **29/778,754**
- (22) Filed: **Apr. 14, 2021**
- (51) **LOC (13) Cl.** **27-05**
- (52) **U.S. Cl.**
USPC **D27/141**
- (58) **Field of Classification Search**
USPC D27/141, 139, 142, 143, 144, 152-161,
D27/194; D7/146
CPC . F23Q 2/28; F23Q 2/282; F23Q 2/285; F23Q
2/287; F23Q 2/167; F23Q 2/164; F23Q
2/00; F23Q 2/02; F23Q 7/00; F23Q 7/14;
F23Q 7/16; F23Q 7/22
See application file for complete search history.

(56) **References Cited**

U.S. PATENT DOCUMENTS

D480,505 S *	10/2003	Lin	D27/148
6,644,958 B1 *	11/2003	Li	F23Q 2/164 431/153
D488,671 S *	4/2004	Hsu	D7/416
D544,144 S *	6/2007	Lin	D22/142
D548,881 S *	8/2007	Wen	D27/148
D565,899 S *	4/2008	Wang	D7/416
D843,646 S *	3/2019	Bao	D27/154
D844,223 S *	3/2019	Bao	D27/154
D844,224 S *	3/2019	Bao	D27/154
D844,225 S *	3/2019	Bao	D27/154

D848,670 S *	5/2019	Bao	D27/154
D851,453 S	6/2019	Luo		
10,488,043 B2 *	11/2019	Bao	B23K 9/00
D887,628 S	6/2020	Chan		
D890,415 S	7/2020	Luo		
D936,278 S *	11/2021	Fu	D27/141
2021/0063015 A1 *	3/2021	Fan	F23Q 3/01

OTHER PUBLICATIONS

Arc Lighter By: BoulderTools found on line Oct. 24, 2021 <https://bouldertools.com/products/plasma-arc-lighter-usb-rechargeable> (Dec. 25, 2020).*

* cited by examiner

Primary Examiner — Rebecca Tsehaye
(74) *Attorney, Agent, or Firm* — Jinggao Li

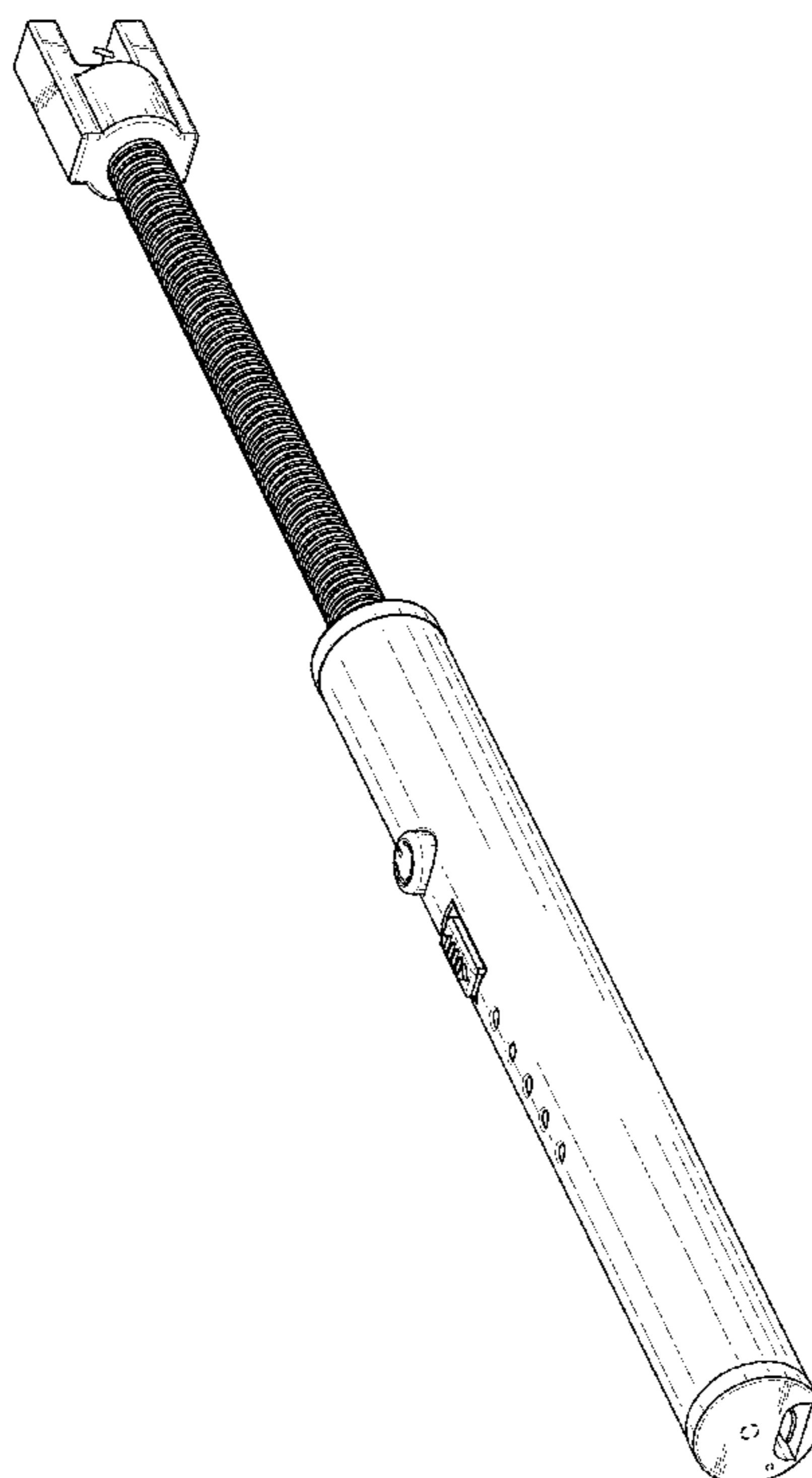
(57) **CLAIM**

The ornamental design for lighter, as shown and described.

DESCRIPTION

FIG. 1 is a perspective view of a lighter showing my new design;
 FIG. 2 is a front view thereof;
 FIG. 3 is a rear view thereof;
 FIG. 4 is a right side view thereof;
 FIG. 5 is a left side view thereof;
 FIG. 6 is a top plan view thereof;
 FIG. 7 is a bottom plan view thereof;
 FIG. 8 is an enlarged view of FIG. 6; and,
 FIG. 9 is an enlarged view of FIG. 7.
 The broken lines depict portions of the lighter and form no part of the claimed design.

1 Claim, 8 Drawing Sheets



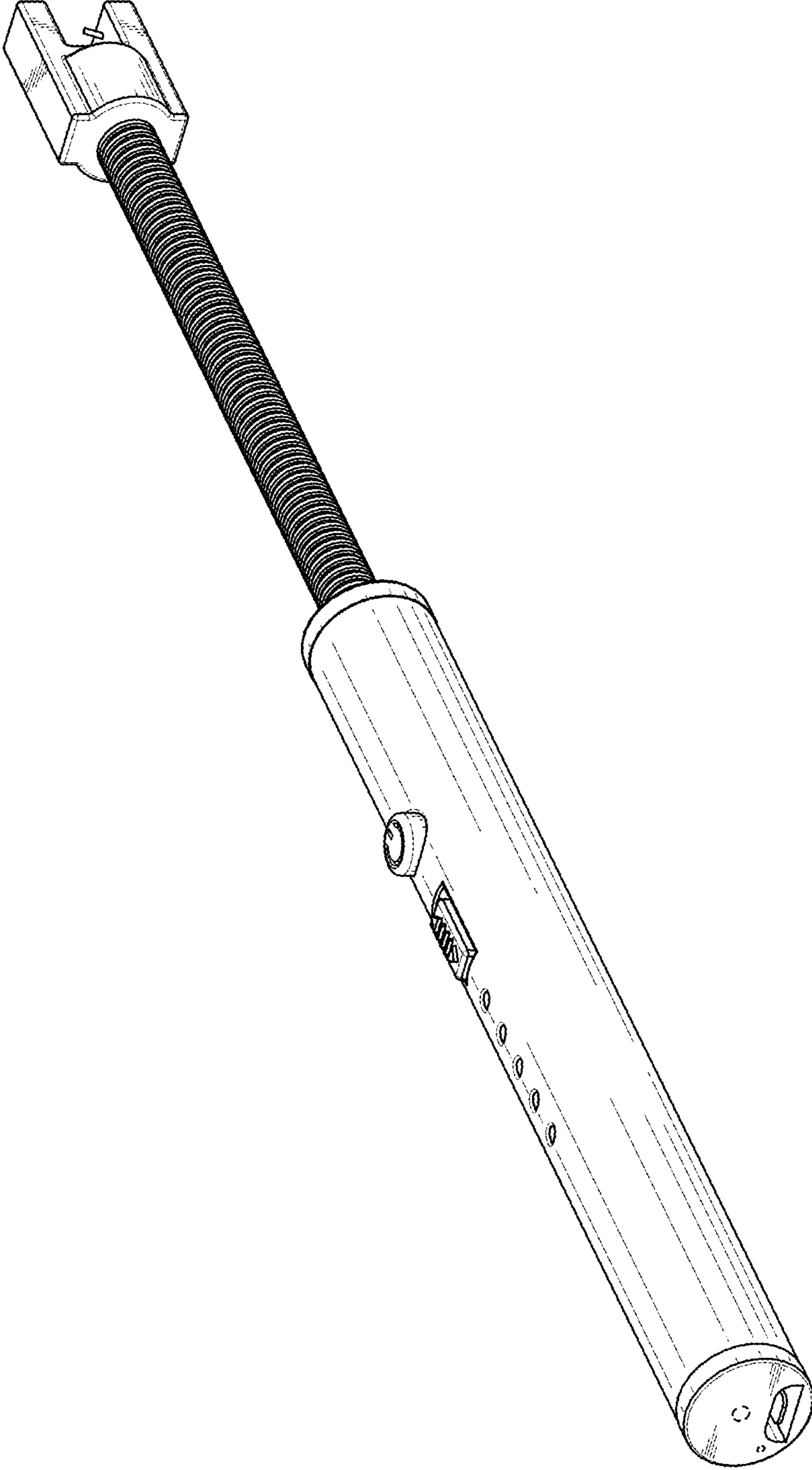


FIG. 1

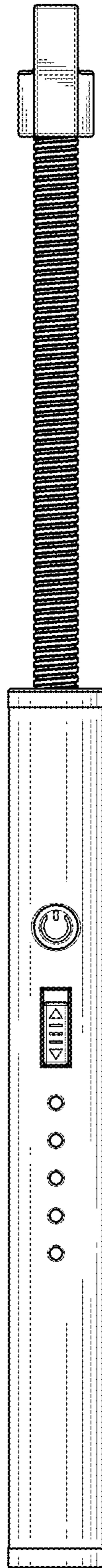


FIG. 2

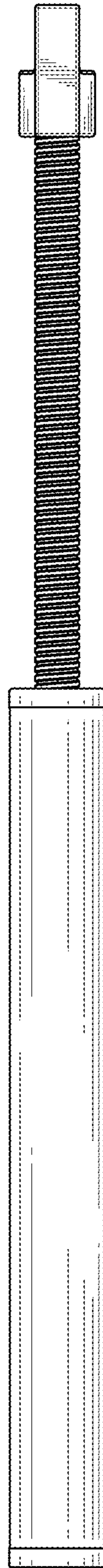


FIG. 3

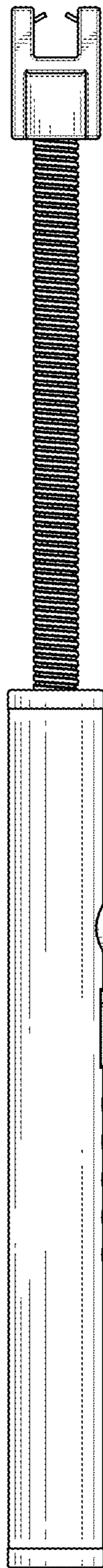


FIG. 4

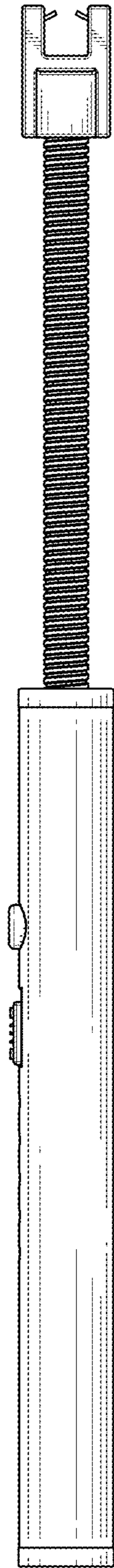


FIG. 5

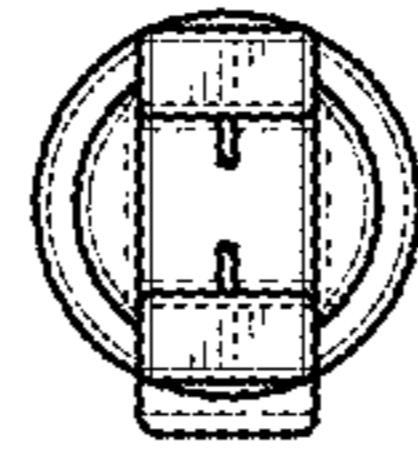


FIG. 6



FIG. 7

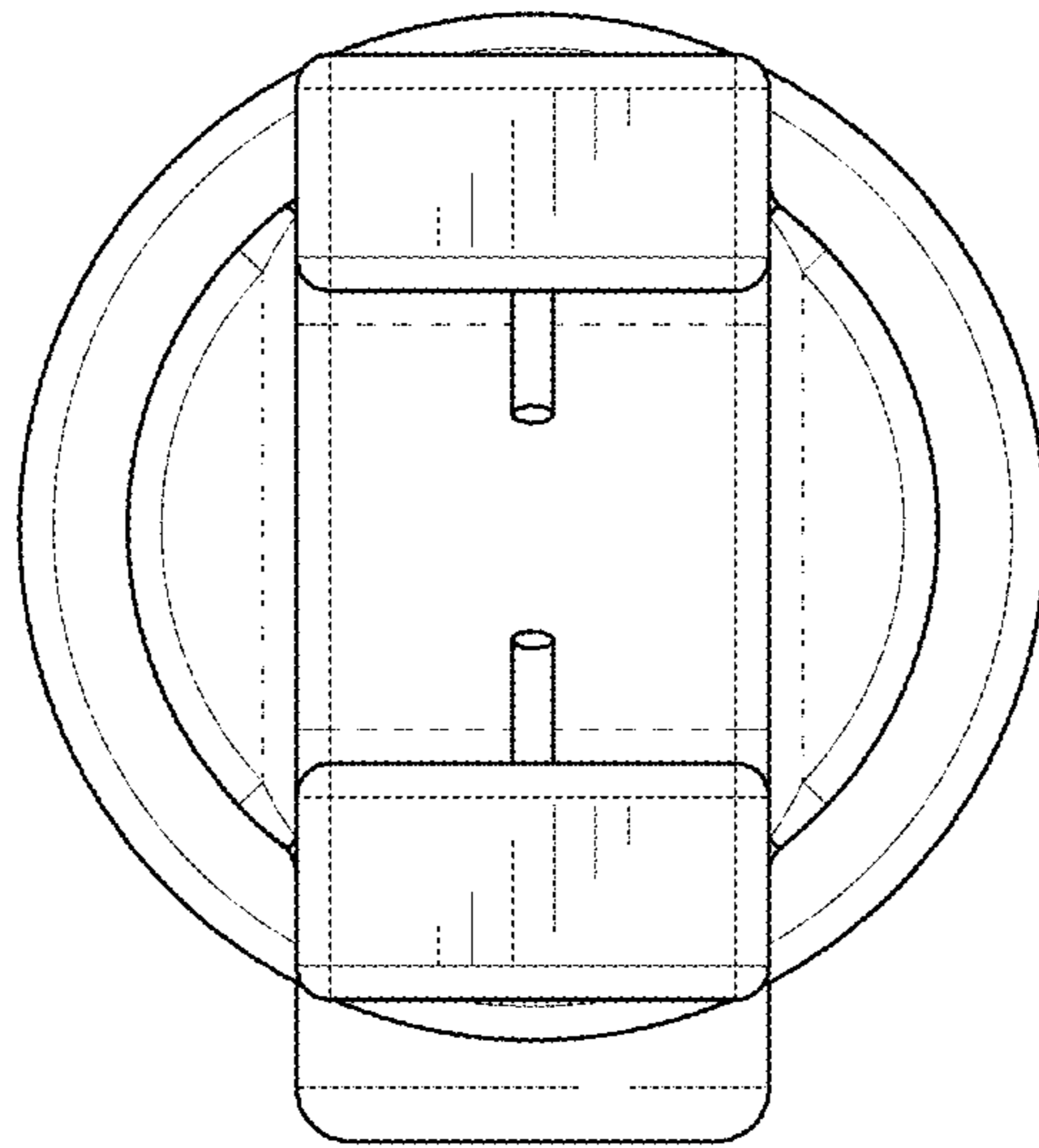


FIG. 8

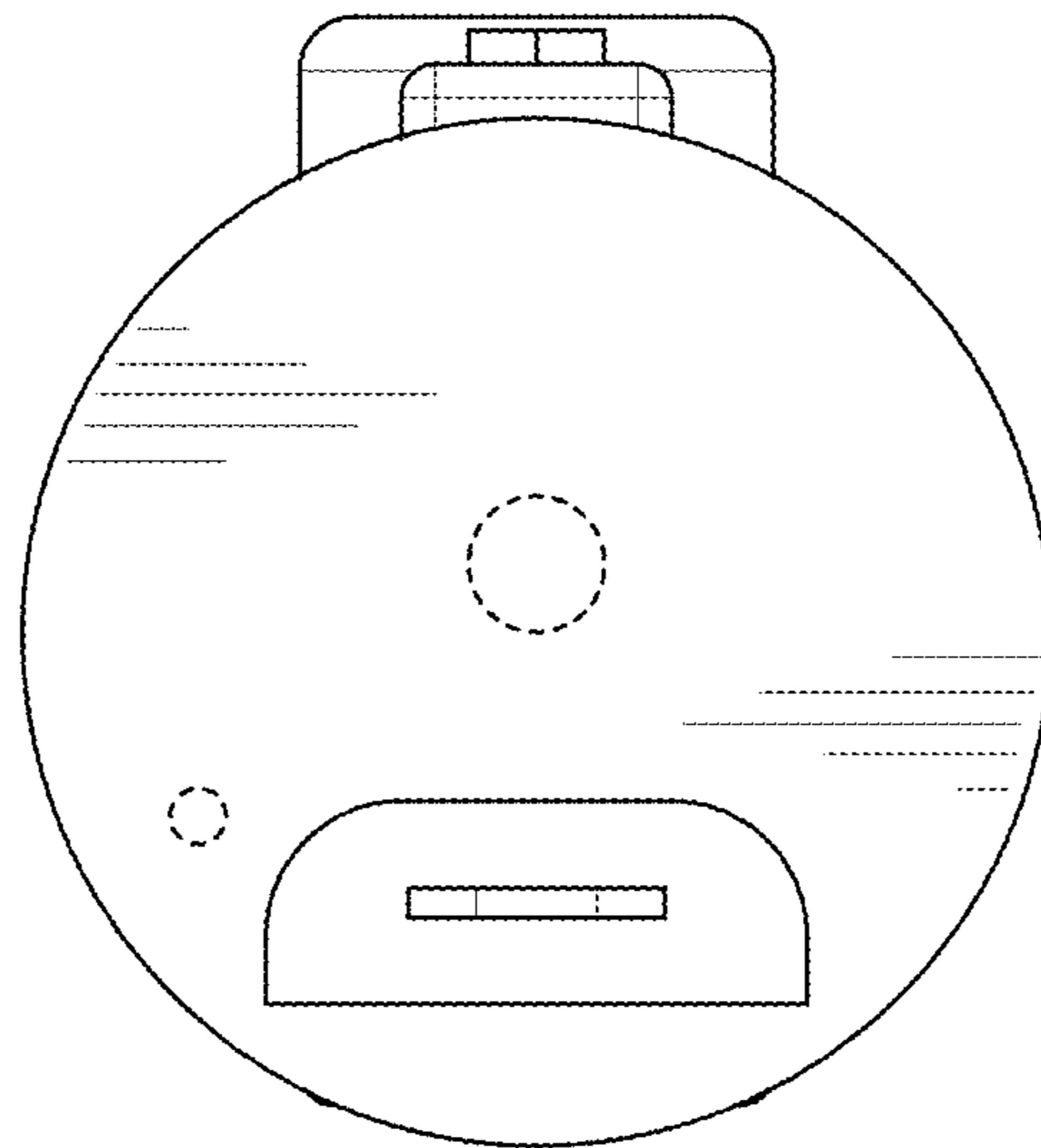


FIG. 9