



US00D946200S

(12) **United States Design Patent**
Gorman

(10) **Patent No.:** **US D946,200 S**
(45) **Date of Patent:** **** Mar. 15, 2022**

(54) **LED LIGHT BAR FRAME FOR MOUNTING ONE OR MORE LED MODULES IN A SIGN**

(71) Applicant: **General LED Opco, LLC**, San Antonio, TX (US)

(72) Inventor: **Aaron Gorman**, New Braunfels, TX (US)

(73) Assignee: **General LED Opco, LLC**, East Rutherford, NJ (US)

(**) Term: **15 Years**

(21) Appl. No.: **29/662,838**

(22) Filed: **Sep. 10, 2018**

(51) **LOC (13) Cl.** **26-05**

(52) **U.S. Cl.**
USPC **D26/141**

(58) **Field of Classification Search**
USPC D26/152, 141, 76, 72, 74, 85, 42, 58
CPC F21S 4/00; F21S 4/003; F21S 4/005; F21S 4/006; F21S 4/007; F21S 4/008
See application file for complete search history.

(56) **References Cited**

U.S. PATENT DOCUMENTS

D445,211 S *	7/2001	Baker	D25/124
D471,125 S *	3/2003	Farley	D10/113.1
D621,989 S *	8/2010	Proner	D26/76
D629,553 S *	12/2010	Gielen	D26/76
D775,395 S *	12/2016	Huyghe	D26/80
D792,017 S *	7/2017	Klus	D26/138
D793,603 S *	8/2017	Parker	D26/76
D794,240 S *	8/2017	Hartman	D26/76
D878,657 S *	3/2020	Carini	D26/76

D921,269 S *	6/2021	Mier-Langner	D26/76
D923,849 S *	6/2021	Yan	D26/76
D926,345 S *	7/2021	Gallo, Jr.	D26/72
2017/0051881 A1 *	2/2017	Chamberlain	F21V 7/06

* cited by examiner

Primary Examiner — Mark A Goodwin
Assistant Examiner — Benjamin M Weeks

(57) **CLAIM**

I claim the ornamental design for a LED light bar frame for mounting one or more LED modules in a sign, substantially as shown and described.

DESCRIPTION

FIG. 1 is a perspective view of the LED light bar frame for mounting one or more LED modules in a sign in accordance with the present design.

FIG. 2 is a left side elevational view of the LED light bar frame for mounting one or more LED modules in a sign of FIG. 1.

FIG. 3 is a right side elevational view of the LED light bar frame for mounting one or more LED modules in a sign of FIG. 1.

FIG. 4 is a front elevational view of the LED light bar frame for mounting one or more LED modules in a sign of FIG. 1.

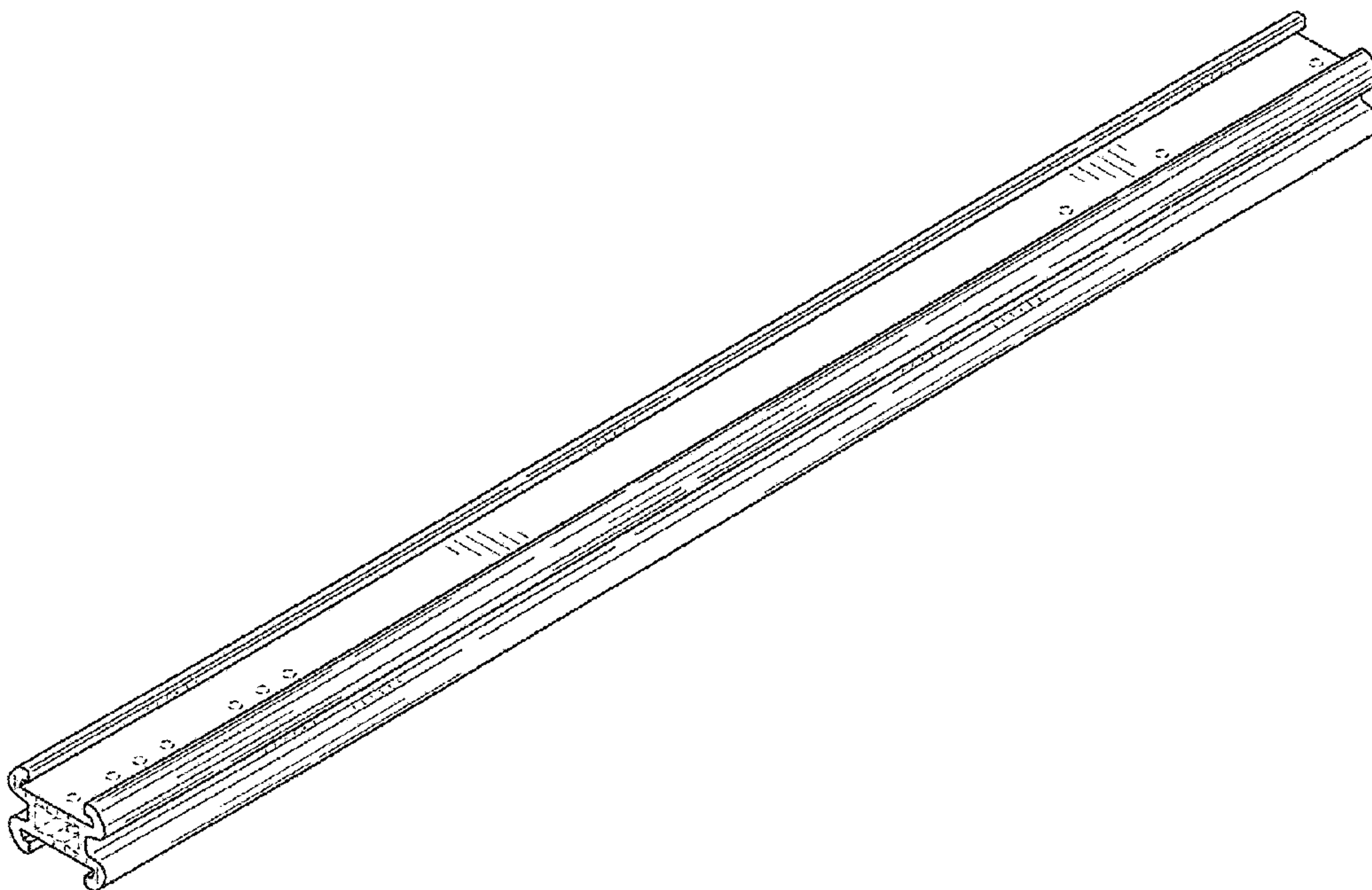
FIG. 5 is a rear elevational view of the LED light bar frame for mounting one or more LED modules in a sign of FIG. 1.

FIG. 6 is a top plan view of the LED light bar frame for mounting one or more LED modules in a sign of FIG. 1; and,

FIG. 7 is a bottom plan view of the LED light bar frame for mounting one or more LED modules in a sign of FIG. 1.

The broken lines shown on the drawing views are for the purpose of illustrating environmental structure and form no part of the claimed design.

1 Claim, 3 Drawing Sheets



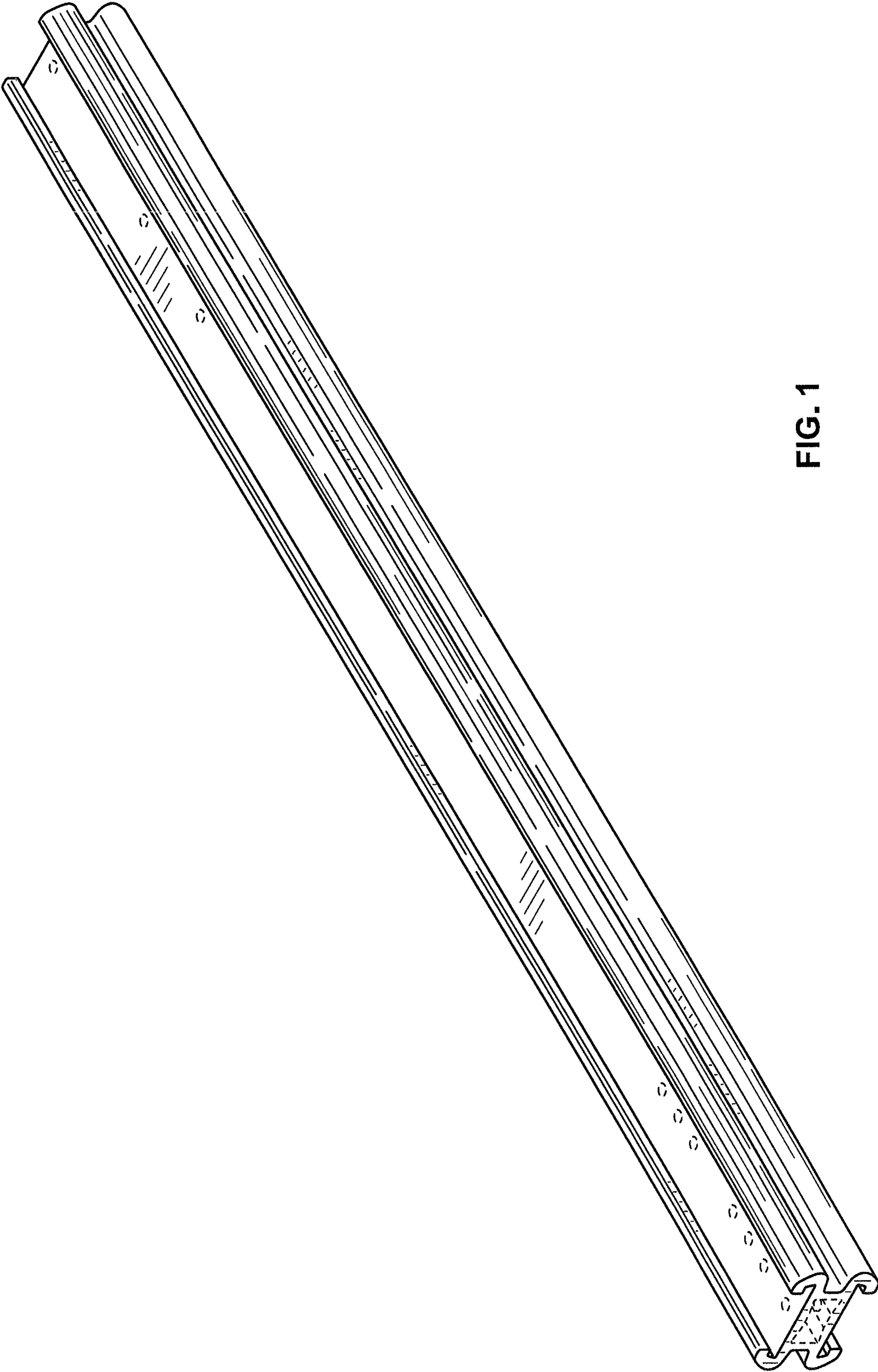


FIG. 1

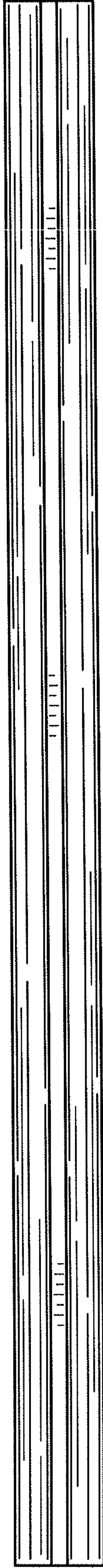


FIG. 2

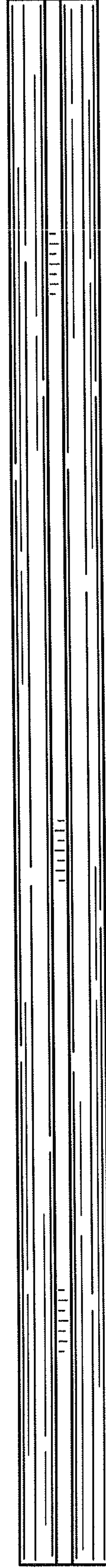


FIG. 3

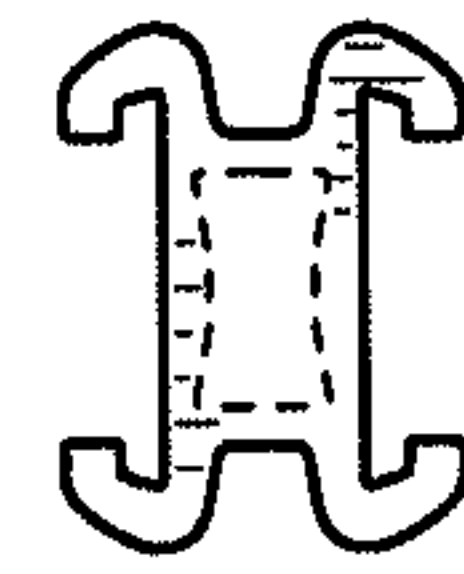


FIG. 4

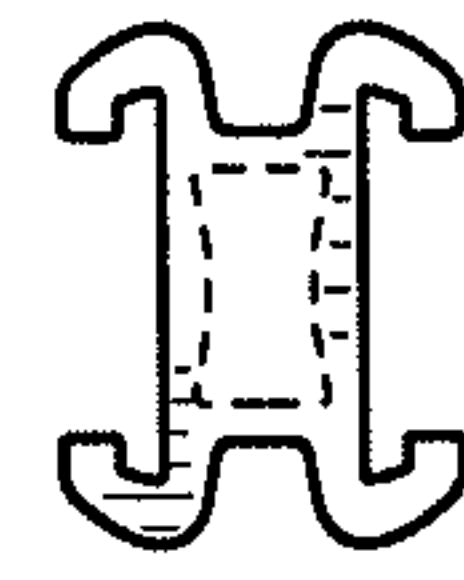


FIG. 5

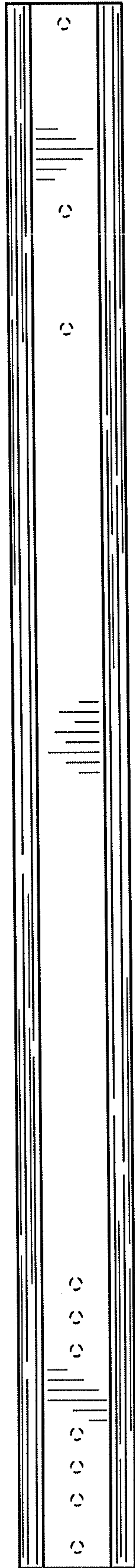


FIG. 6

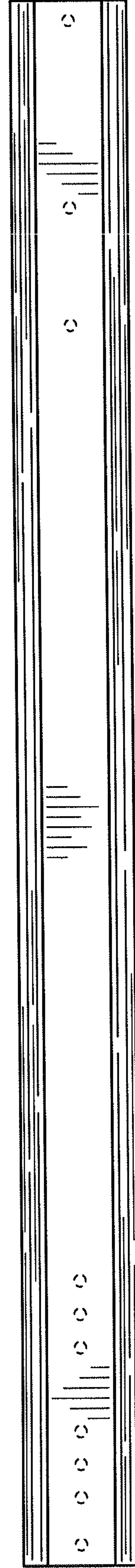


FIG. 7