



US00D946199S

(12) **United States Design Patent**
Cai

(10) **Patent No.:** **US D946,199 S**

(45) **Date of Patent:** **** Mar. 15, 2022**

(54) **LIGHT FIXTURE**

(71) Applicant: **Jintao Cai**, Laohekou (CN)

(72) Inventor: **Jintao Cai**, Laohekou (CN)

(**) Term: **15 Years**

(21) Appl. No.: **29/780,375**

(22) Filed: **Apr. 23, 2021**

(51) **LOC (13) Cl.** **26-05**

(52) **U.S. Cl.**
USPC **D26/93**

(58) **Field of Classification Search**
USPC D6/308, 300, 301, 302, 309, 310, 312,
D6/313, 314; D26/1, 2, 24, 93
CPC F21L 2/00; F21L 4/00; F21L 4/02; F21L
4/025; F21L 4/027; F21L 14/00; F21S
2/00; F21S 8/03; F21S 8/033; A47G 1/00;
A47G 1/0633; A47G 1/0622; A47G 1/04;
A47G 2200/08; A47G 2200/085; A45D
42/20
See application file for complete search history.

(56) **References Cited**

U.S. PATENT DOCUMENTS

D773,105 S	*	11/2016	Feit	D26/106
D812,280 S		3/2018	Lechtenberg		
D838,890 S		1/2019	Xiong		
D846,784 S		4/2019	Luo		
D854,227 S	*	7/2019	Yu	D26/106
D874,162 S	*	2/2020	Greenwalt	D6/310
D880,774 S	*	4/2020	Babayán	D28/64.6
D892,508 S	*	8/2020	Yang	D6/309
D897,695 S	*	10/2020	Yang	D6/309
D898,387 S	*	10/2020	Yang	D6/309
D901,908 S	*	11/2020	Zhao	D6/309
D916,355 S	*	4/2021	Sanchez Gonzalez	D26/93
D924,456 S	*	7/2021	Zhao	D26/56

D936,886 S	*	11/2021	Chen	D26/65
D939,843 S	*	1/2022	Li	D6/309
2017/0118385 A1	*	4/2017	Vargas	G03B 17/561

FOREIGN PATENT DOCUMENTS

CN 95305486 * 6/1996

OTHER PUBLICATIONS

Amazon, "GuRun 8.5-Inch Tabletop Double-Sided LED Lighted Make-up Mirror", first available Aug. 8, 2015. (<https://www.amazon.ca/dp/B013LIHJS8/>) (Year: 2015).*

Amazon, "66 LED Makeup Mirror with Lights Lighted", first available Dec. 16, 2018. (<https://www.amazon.com/Upgraded-Makeup-Mirror-Lights-Lighted/dp/B07LFL6WLG/>) (Year: 2018).*

(Continued)

Primary Examiner — Lauren D McVey

Assistant Examiner — Justin A Johnson

(74) *Attorney, Agent, or Firm* — Jinggao Li

(57) **CLAIM**

The ornamental design for light fixture, as shown and described.

DESCRIPTION

FIG. 1 is a perspective view of a light fixture showing my new design;

FIG. 2 is another perspective view thereof;

FIG. 3 is a front view thereof;

FIG. 4 is a rear view thereof;

FIG. 5 is a left side view thereof;

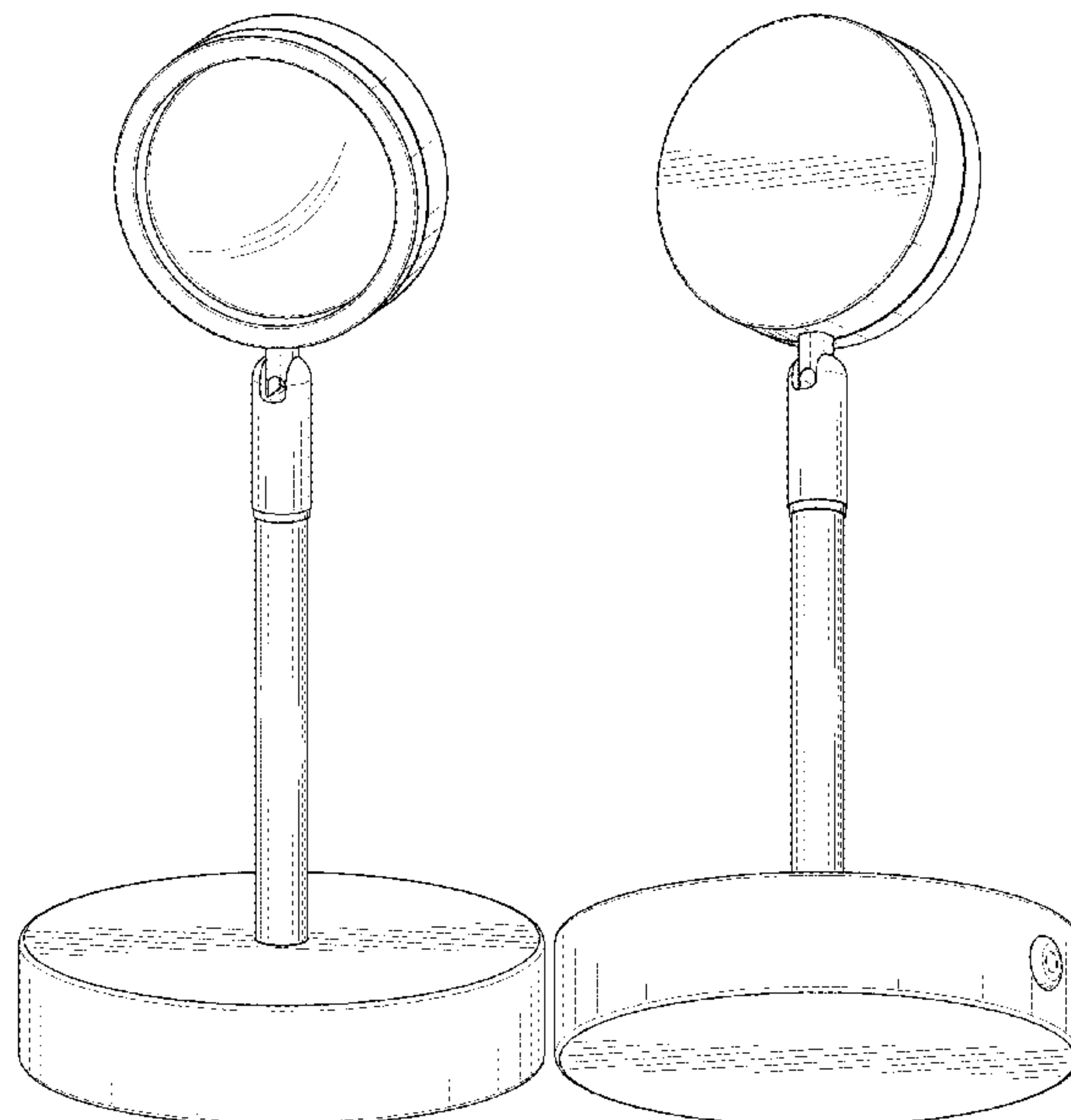
FIG. 6 is a right side view thereof;

FIG. 7 is a top plan view thereof; and,

FIG. 8 is a bottom plan view thereof.

The broken lines depict portions of the light fixture and form no part of the claimed design.

1 Claim, 8 Drawing Sheets



(56)

References Cited

OTHER PUBLICATIONS

Amazon, "Philips Glass Desk Light", first available Apr. 11, 2019. (<https://www.amazon.in/Philips-5-Watt-Study-Table-Light/dp/B07QP356JF>) (Year: 2019).*

Amazon, "UUCOLOR Makeup Mirror with Lights", first available Apr. 13, 2021. (<https://www.amazon.com/dp/B092DK47ZS/>) (Year: 2021).*

* cited by examiner

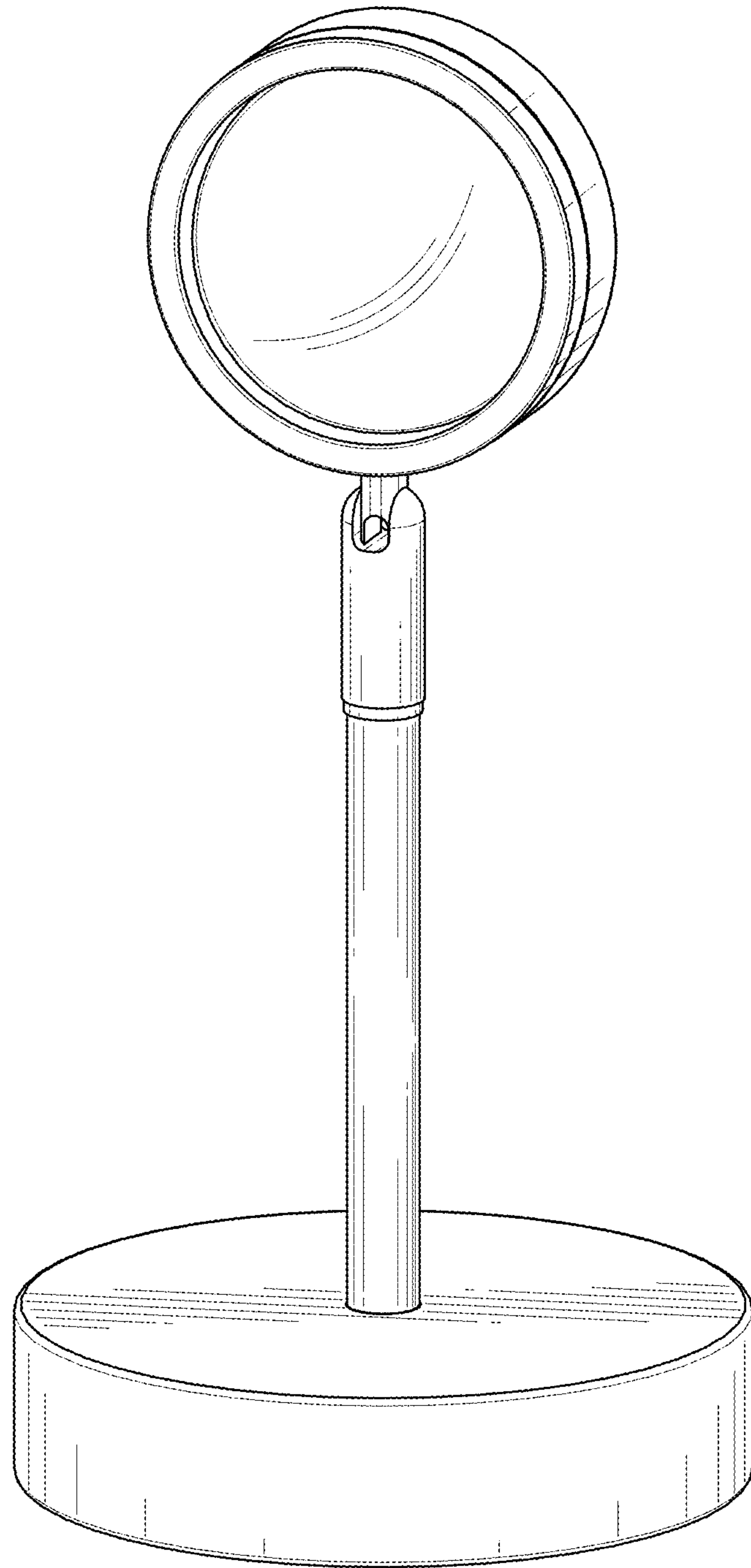


FIG. 1

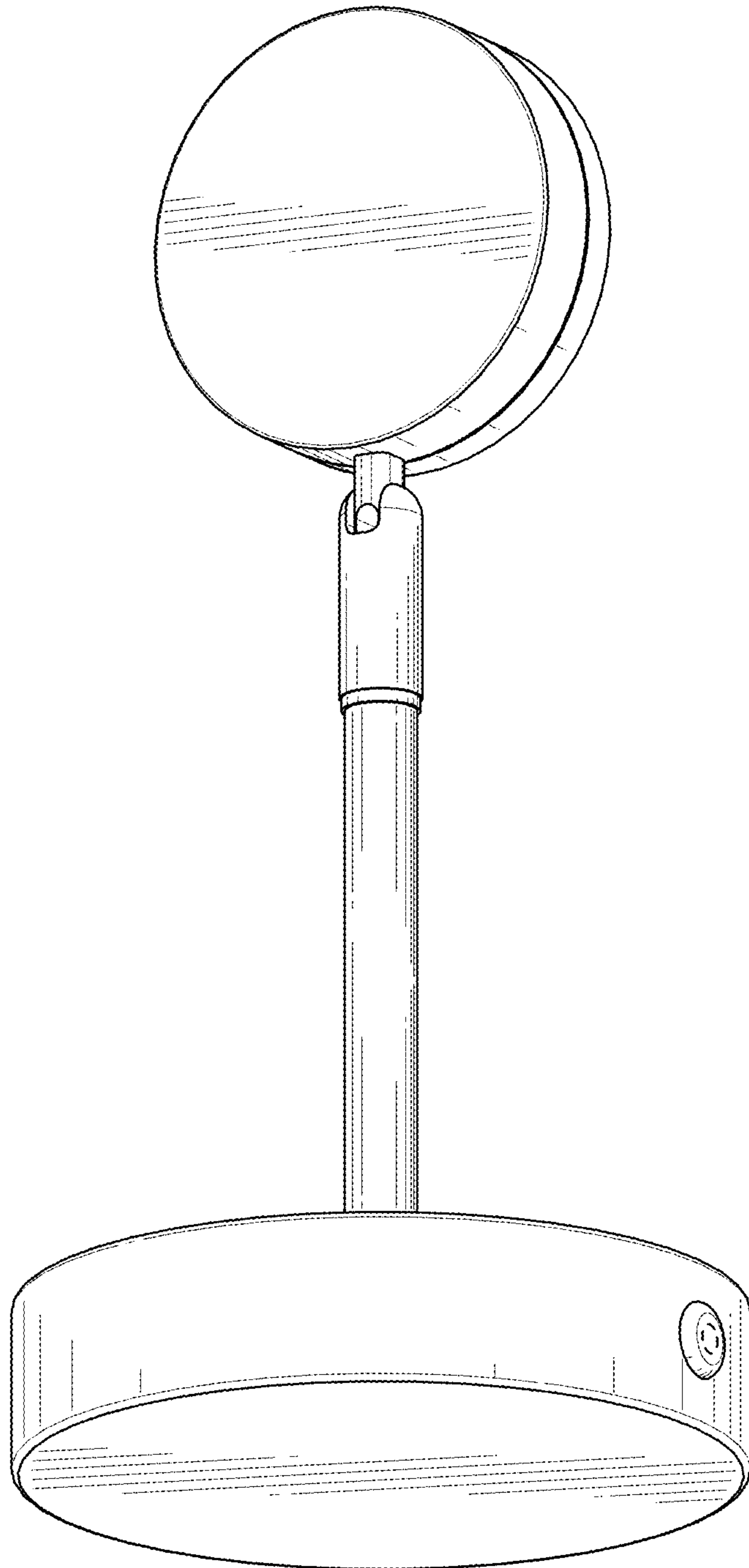


FIG. 2

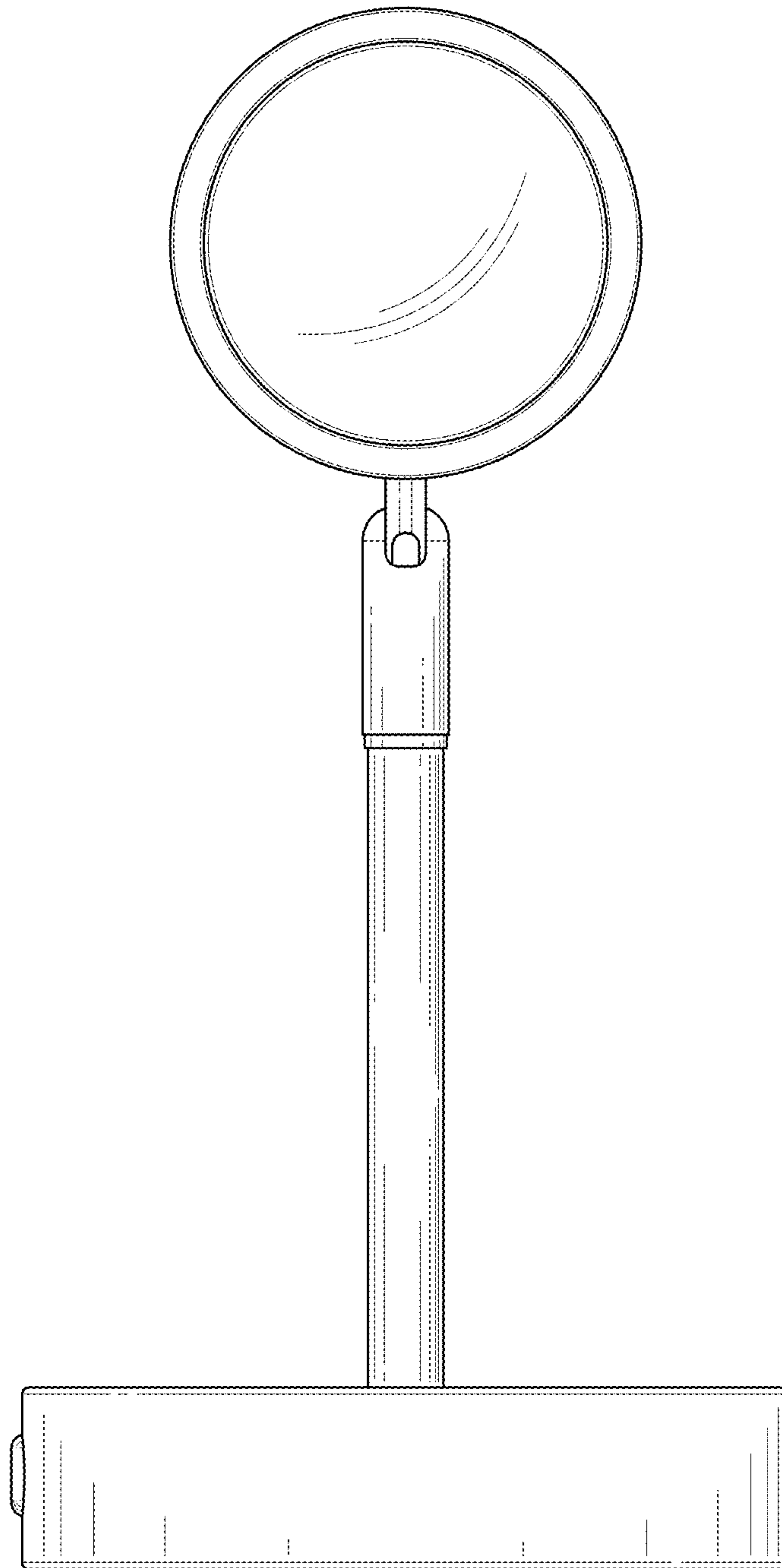


FIG. 3

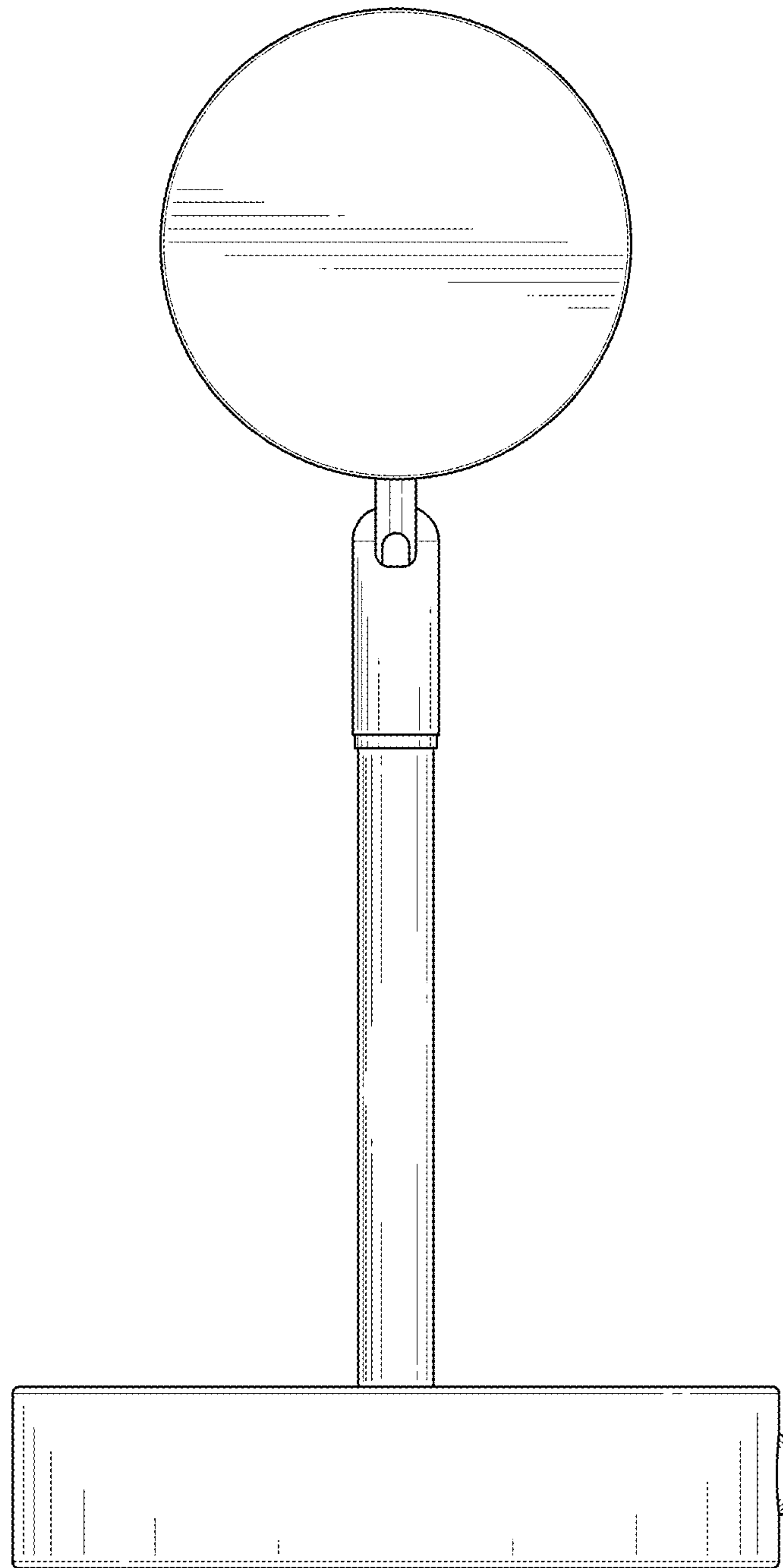


FIG. 4

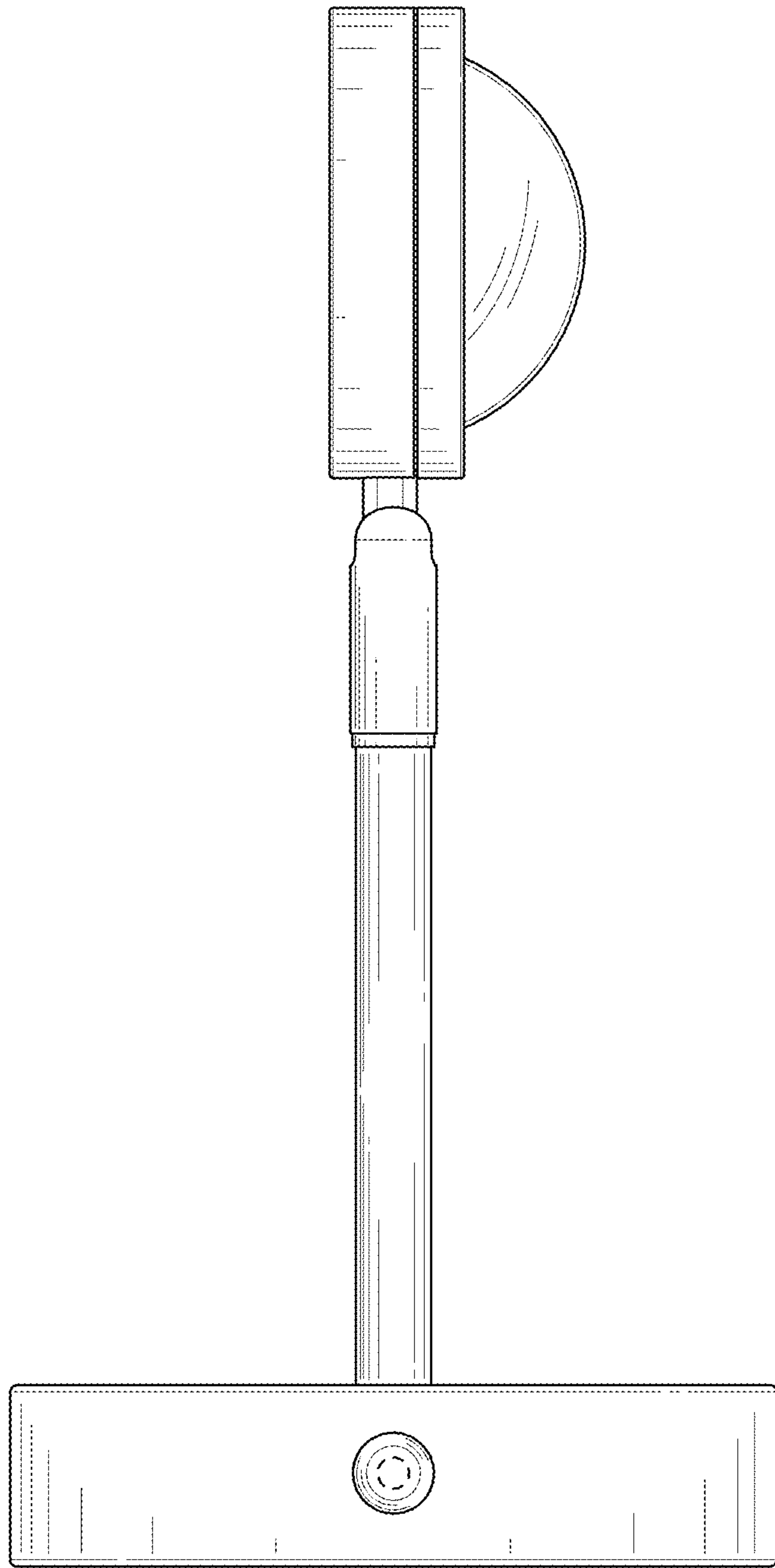


FIG. 5

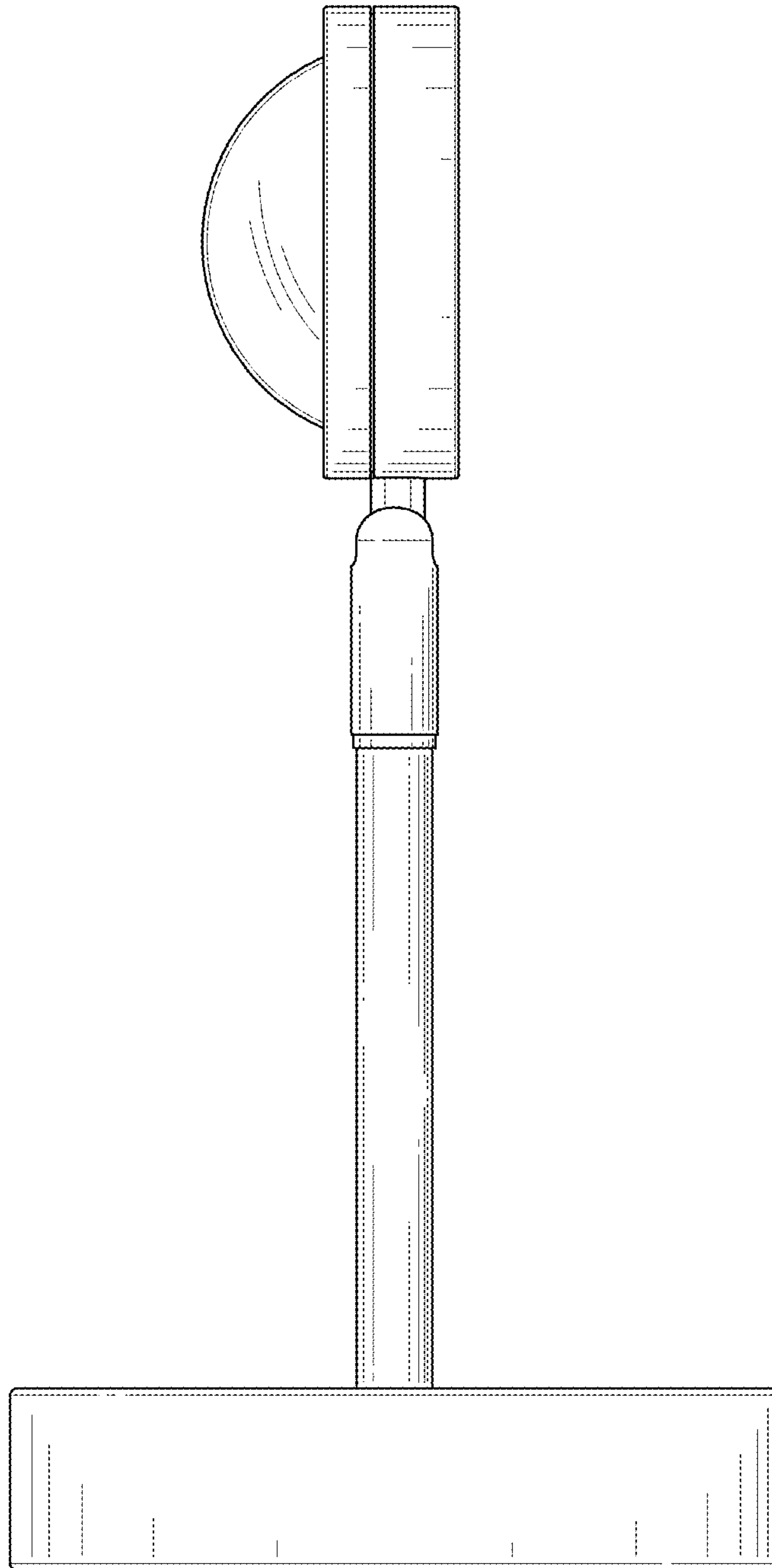


FIG. 6

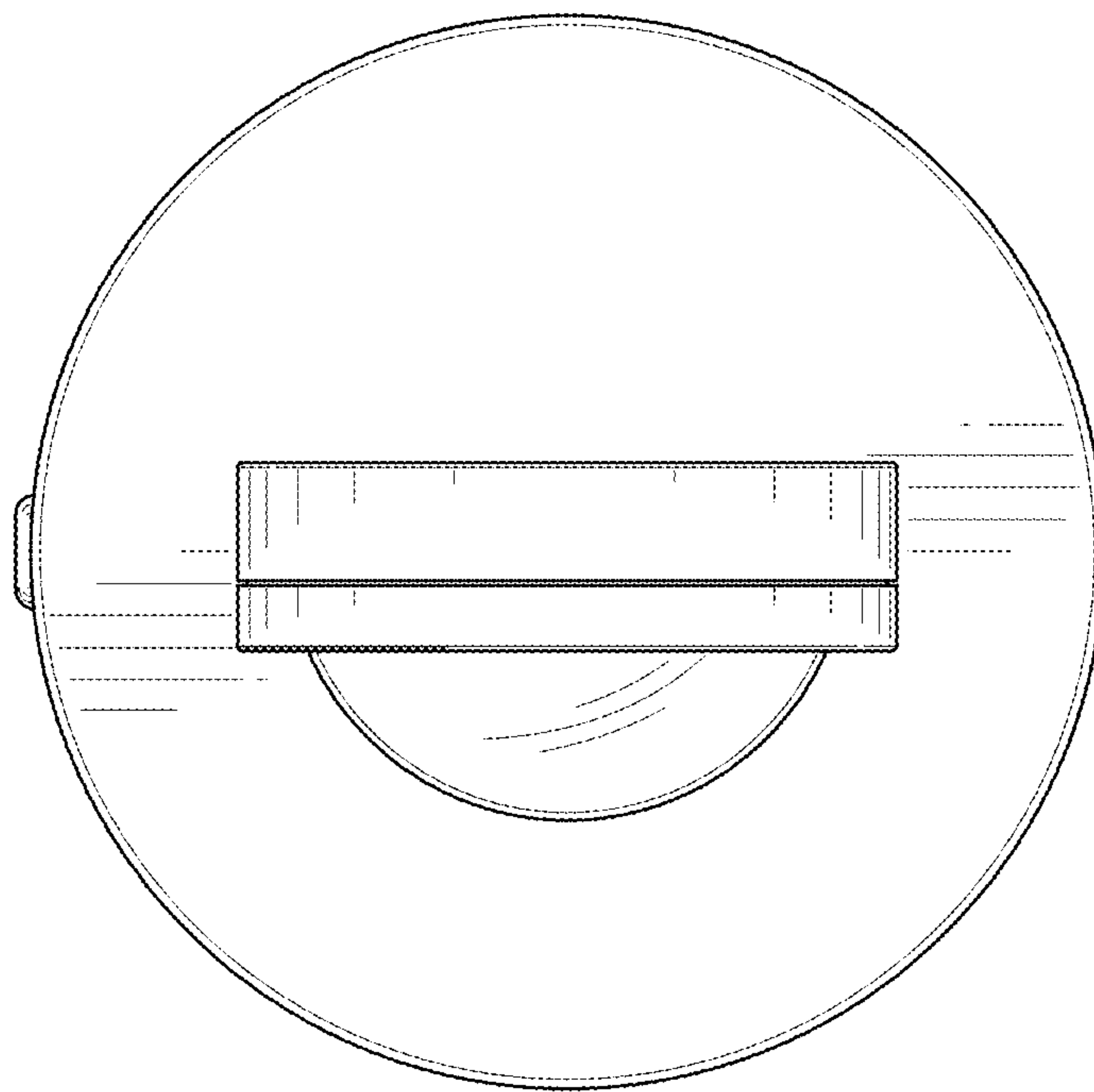


FIG. 7

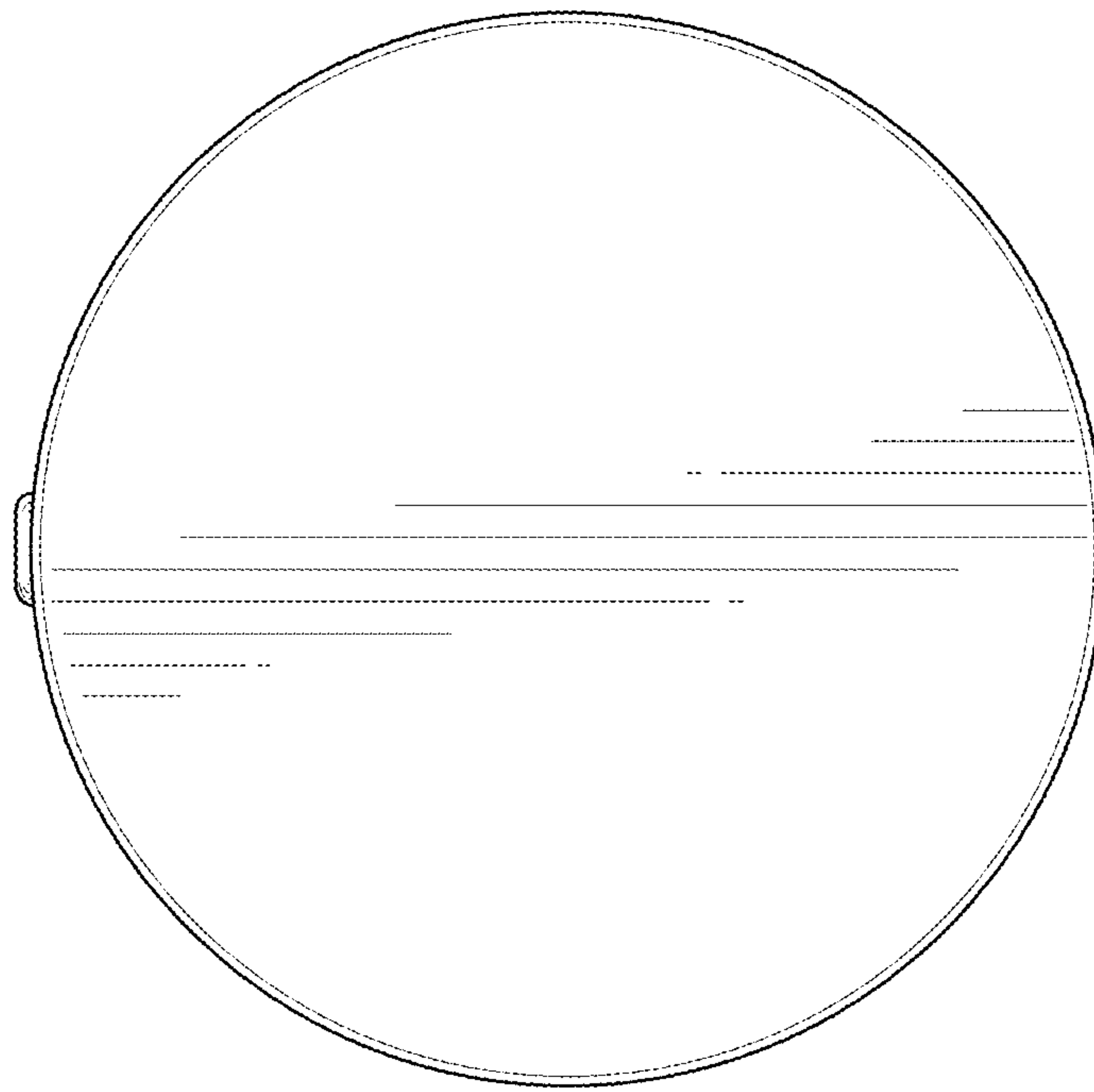


FIG. 8