



US00D946195S

(12) **United States Design Patent**
Zhong

(10) **Patent No.:** **US D946,195 S**

(45) **Date of Patent:** **** Mar. 15, 2022**

(54) **PROJECTION LAMP**

(71) Applicant: **Jinger Zhong**, Shenzhen (CN)

(72) Inventor: **Jinger Zhong**, Shenzhen (CN)

(**) Term: **15 Years**

(21) Appl. No.: **29/779,307**

(22) Filed: **Apr. 19, 2021**

(51) **LOC (13) Cl.** **26-05**

(52) **U.S. Cl.**
USPC **D26/67**; D26/61

(58) **Field of Classification Search**
USPC D26/21, 60-61, 63-68, 85-86, 104-105,
D26/138

CPC ... A61N 5/06; F21S 6/00; G03B 15/02; F21V
21/08

See application file for complete search history.

(56) **References Cited**

U.S. PATENT DOCUMENTS

- 4,326,681 A * 4/1982 Eshoo B64B 1/58
244/128
- 4,799,629 A * 1/1989 Mori F21S 11/00
244/23 C
- D377,226 S * 1/1997 Shen D26/60
- D461,579 S * 8/2002 Chang D26/67
- D463,055 S * 9/2002 Layne D26/63
- D558,908 S * 1/2008 Waedeled D26/67
- D581,081 S * 11/2008 Mier-Langner D26/72
- D607,596 S * 1/2010 Copeland D26/80
- D617,931 S * 6/2010 Chen D26/63
- D682,451 S * 5/2013 Hardy D26/60
- 9,838,652 B2 * 12/2017 Chien F21V 23/04
- D869,718 S * 12/2019 Ma D26/60
- D878,446 S * 3/2020 Taylor D16/203
- D884,947 S * 5/2020 Tang D26/60
- D887,612 S * 6/2020 Hollinger D26/67
- D888,303 S * 6/2020 Kawakami D26/39
- D891,682 S * 7/2020 Wei
- D891,964 S * 8/2020 Goodwin D10/114.1

- D895,186 S * 9/2020 Merovitz D26/63
- D914,957 S * 3/2021 Zeng
- D921,949 S * 6/2021 Lin D26/60
- D925,803 S * 7/2021 Zhong D26/67
- 11,118,779 B2 * 9/2021 Spencer F21S 8/026
- D935,675 S * 11/2021 Ma D26/67
- D935,676 S * 11/2021 Ma D26/67
- D936,265 S * 11/2021 Johnson D26/67

FOREIGN PATENT DOCUMENTS

EM 008477103-0001 * 3/2021

OTHER PUBLICATIONS

Levitation UFO lamp, Clever Casita website 2022, site visited Jan. 14, 2022, <https://clevercasita.com/products/creative-levitation-ufo-lamp?>*

* cited by examiner

Primary Examiner — John R Yeh

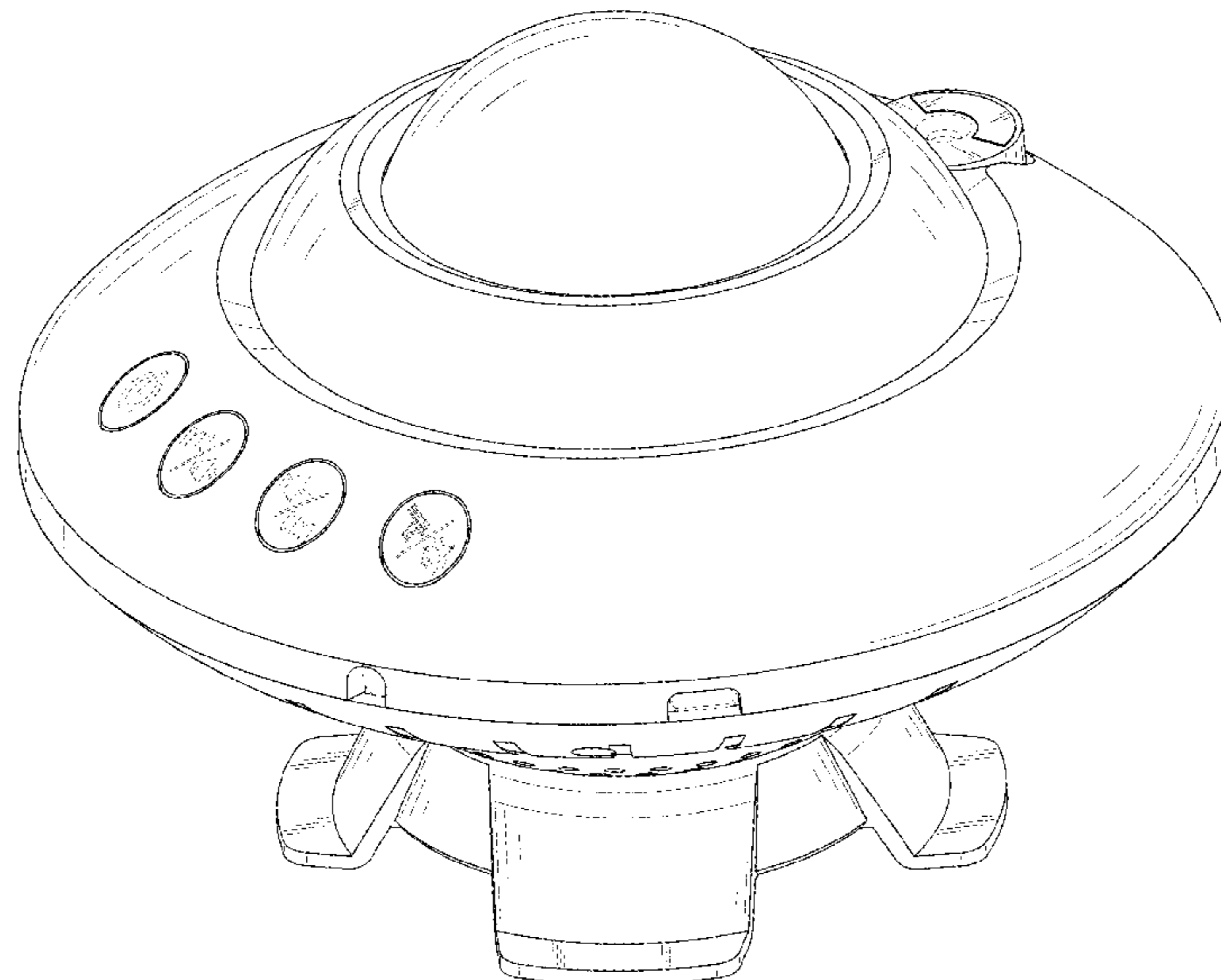
(57) **CLAIM**

The ornamental design for a projection lamp, as shown and described.

DESCRIPTION

FIG. 1 is a perspective view of a projection lamp showing my new design;
 FIG. 2 is another perspective view thereof;
 FIG. 3 is a front elevational view thereof;
 FIG. 4 is a rear elevational view thereof;
 FIG. 5 is a left side elevational view thereof;
 FIG. 6 is a right side elevational view thereof;
 FIG. 7 is a top plan view thereof;
 FIG. 8 is a bottom plan view thereof; and,
 FIG. 9 is an enlarged view of portion 9 shown in FIG. 2.
 The broken lines in the drawings depict portions of the projection lamp that form no part of the claimed design.

1 Claim, 9 Drawing Sheets



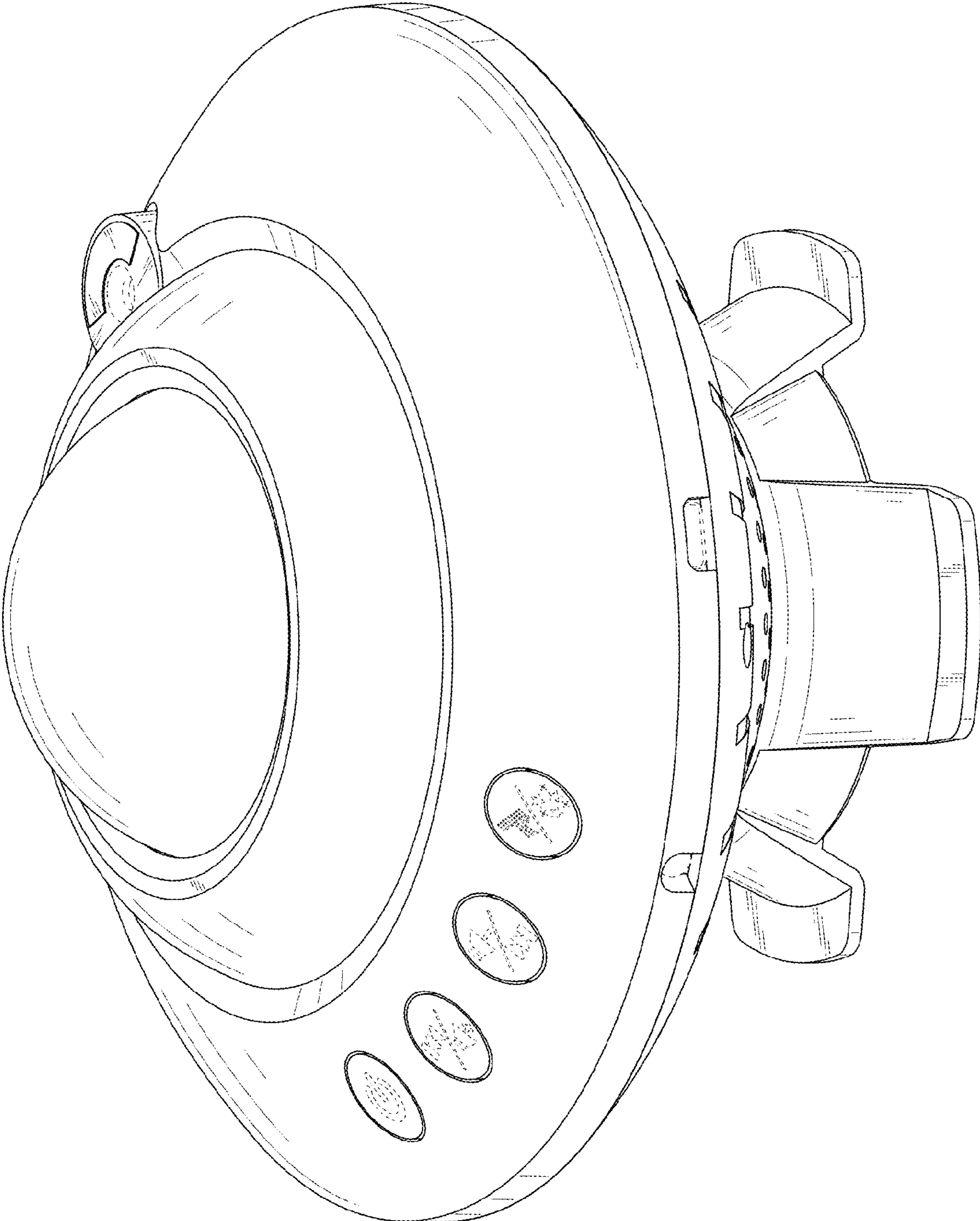


FIG. 1

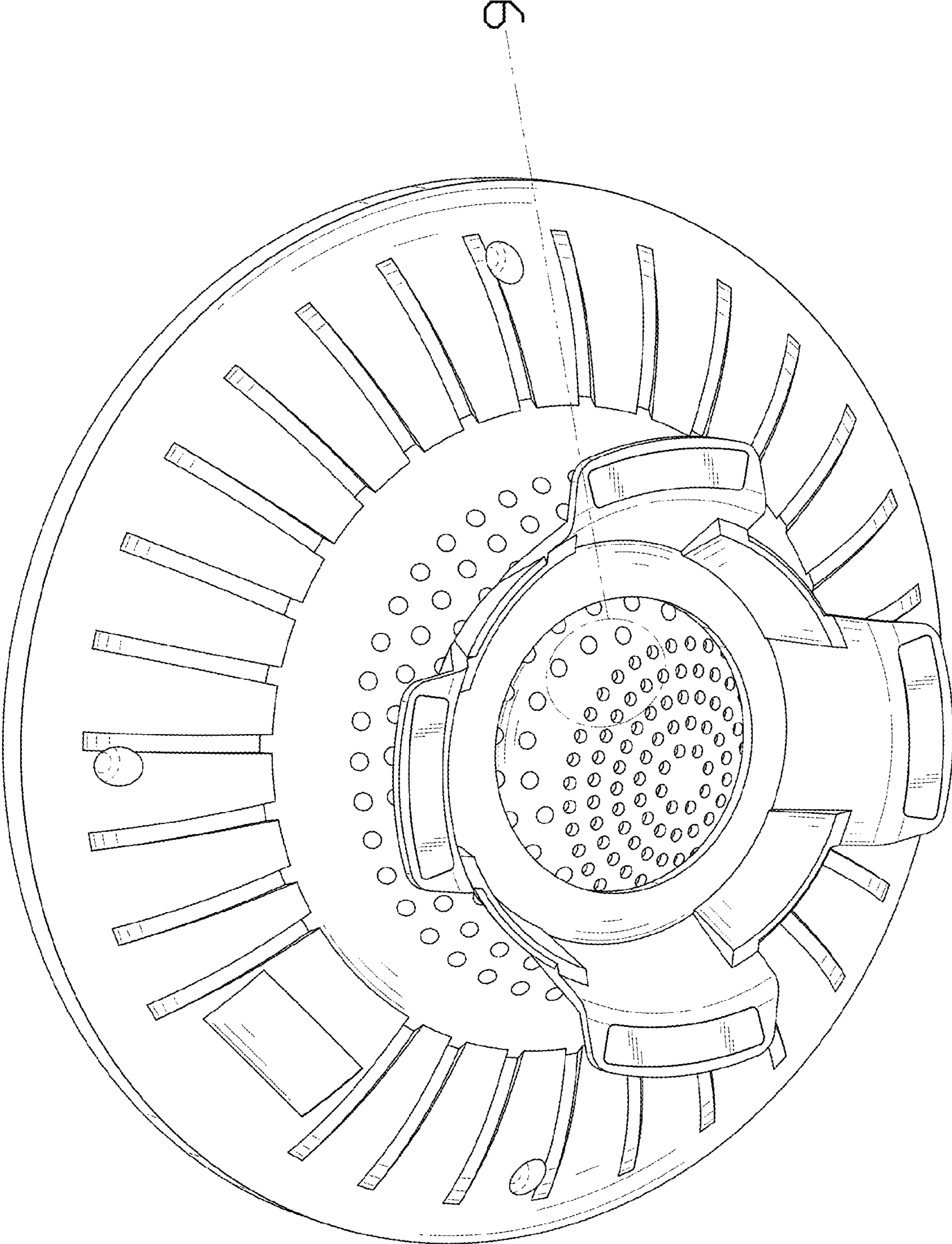


FIG. 2

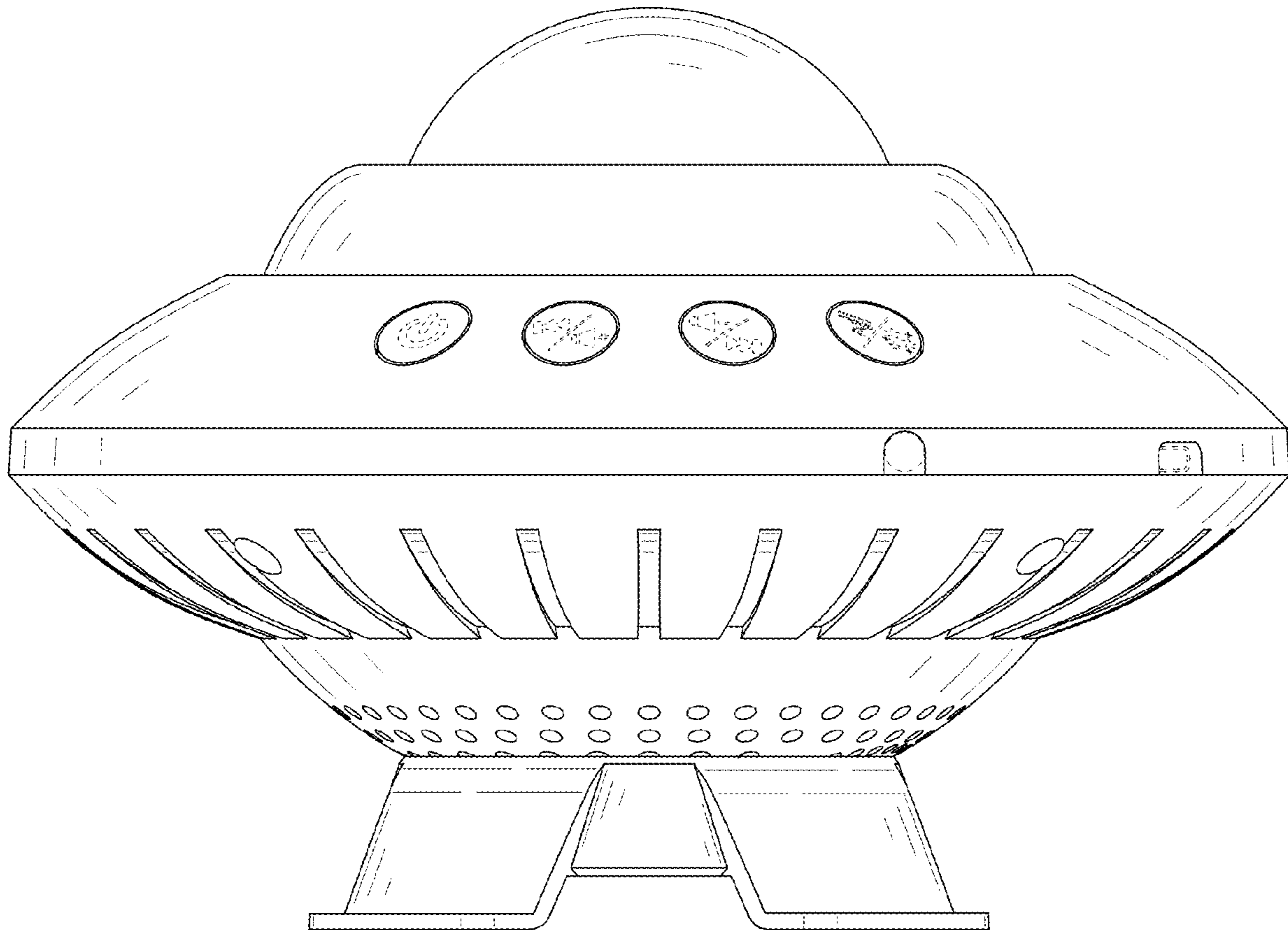


FIG. 3

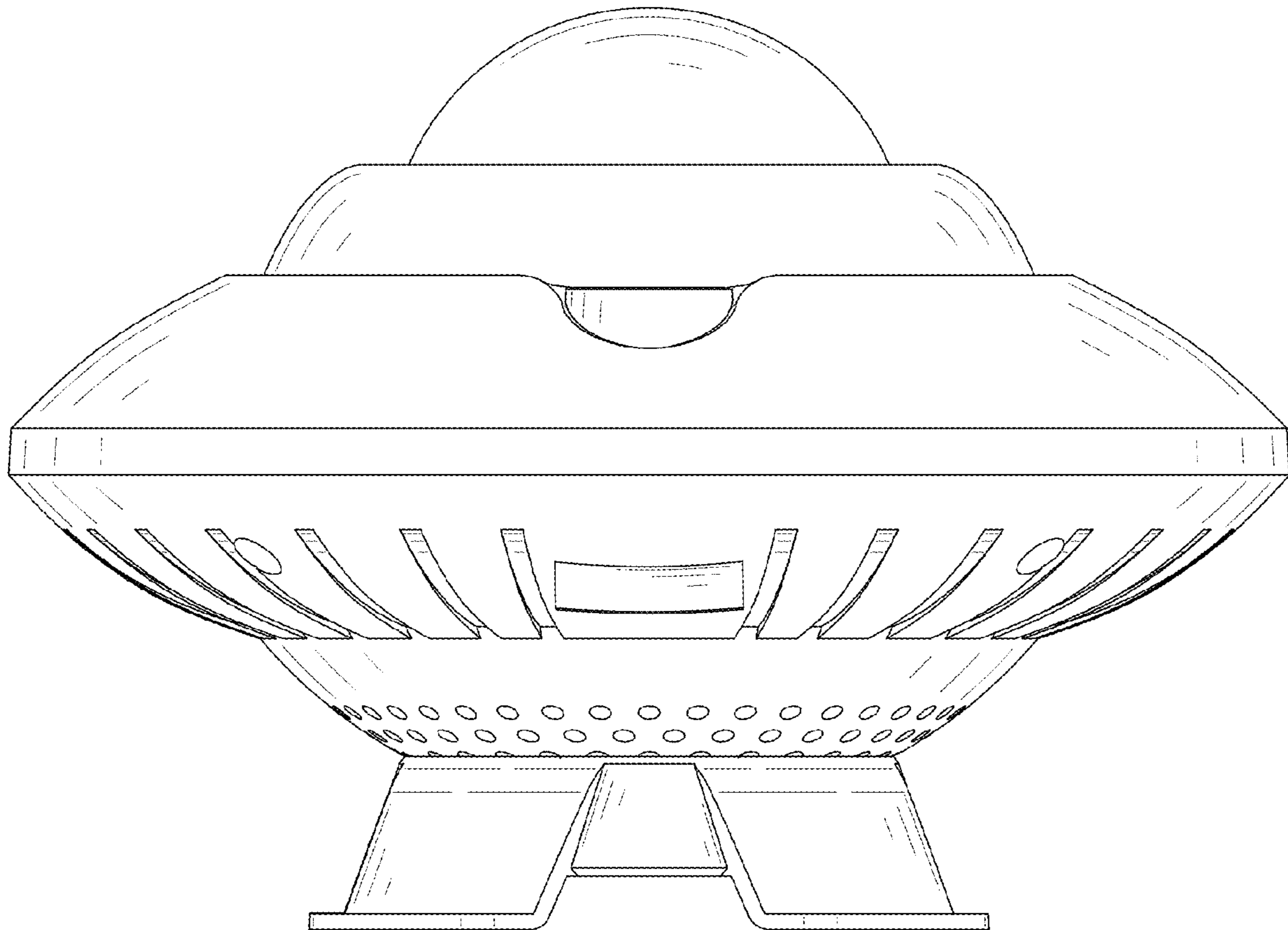


FIG. 4

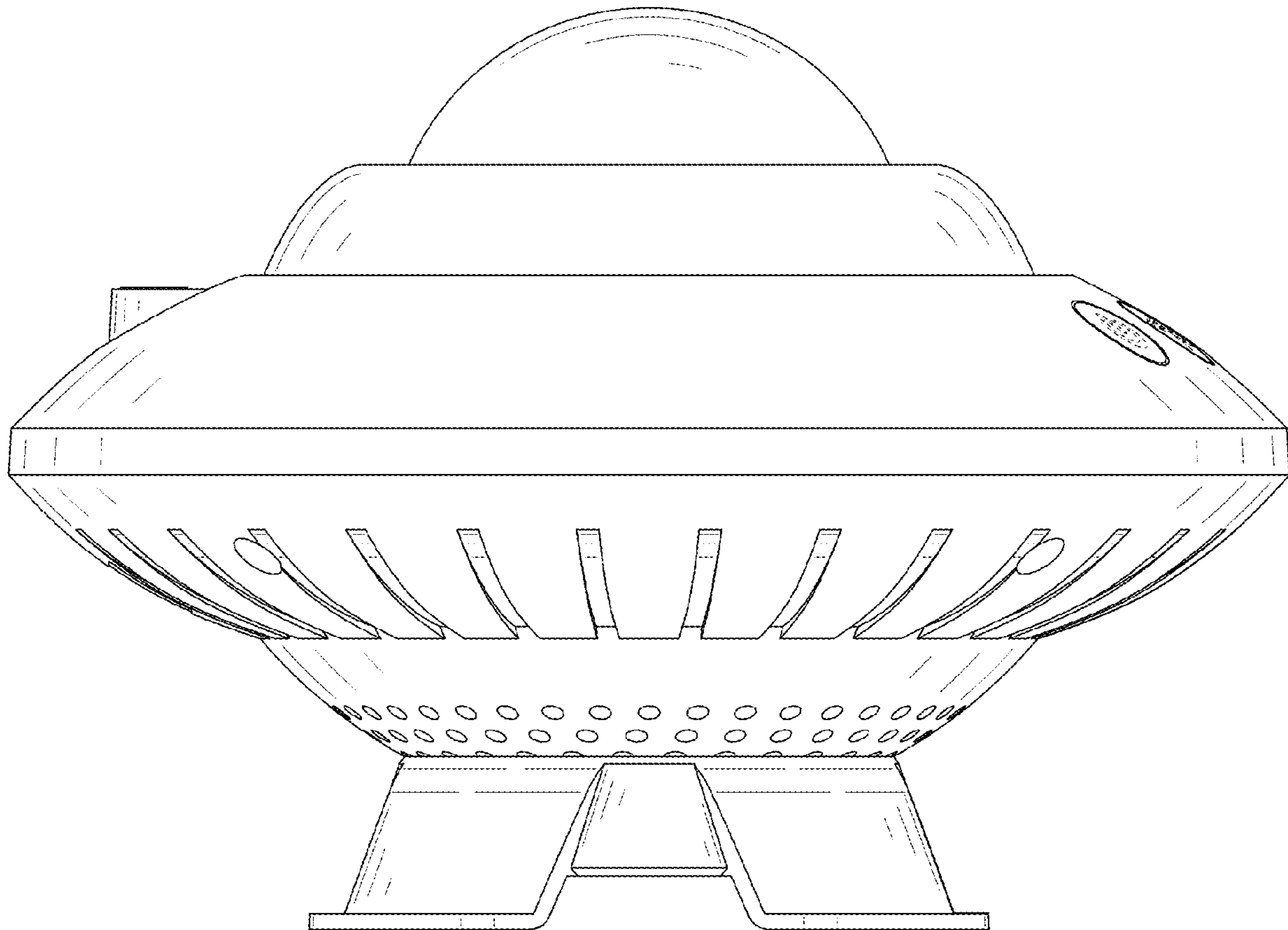


FIG. 5

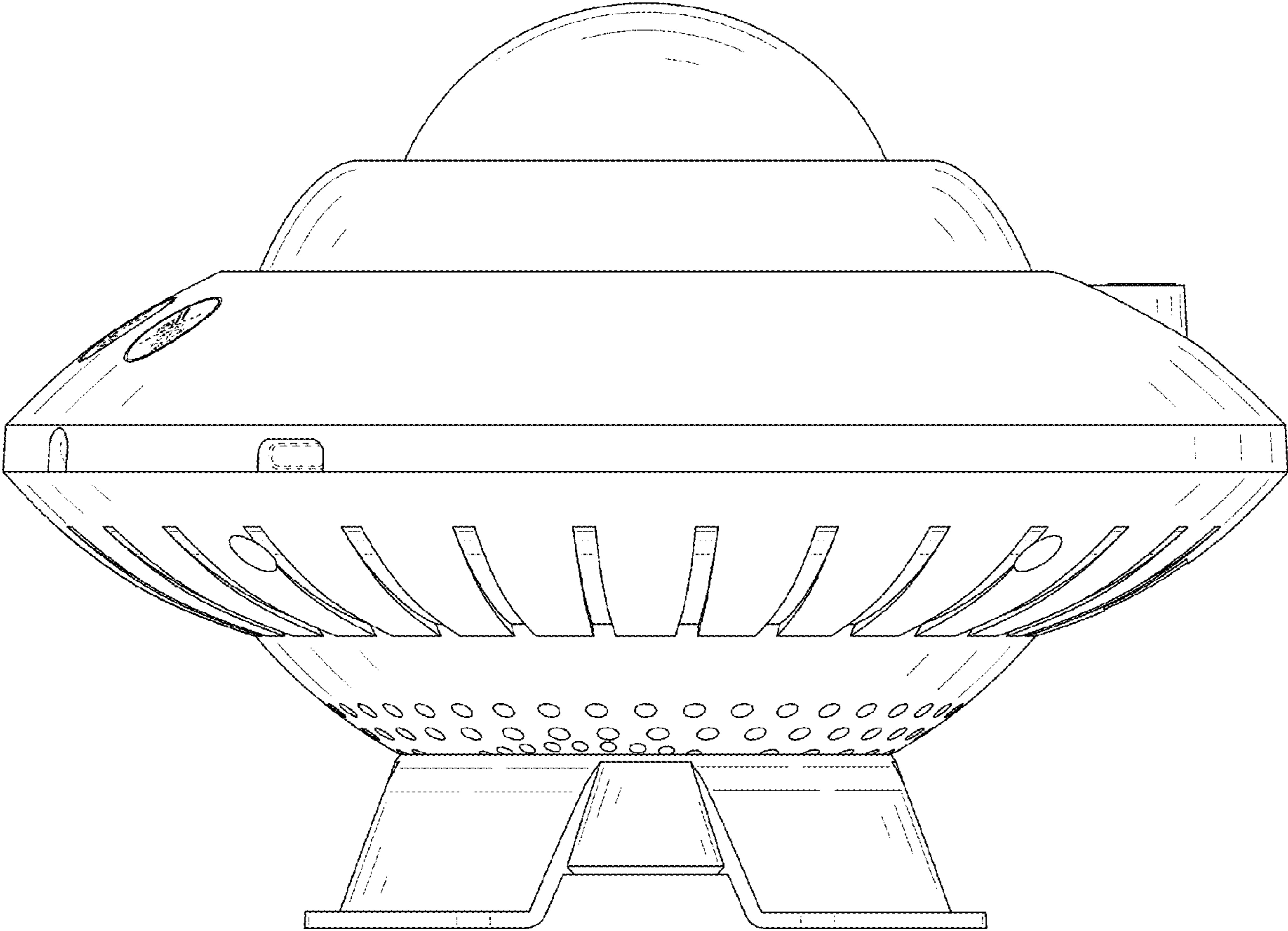


FIG. 6

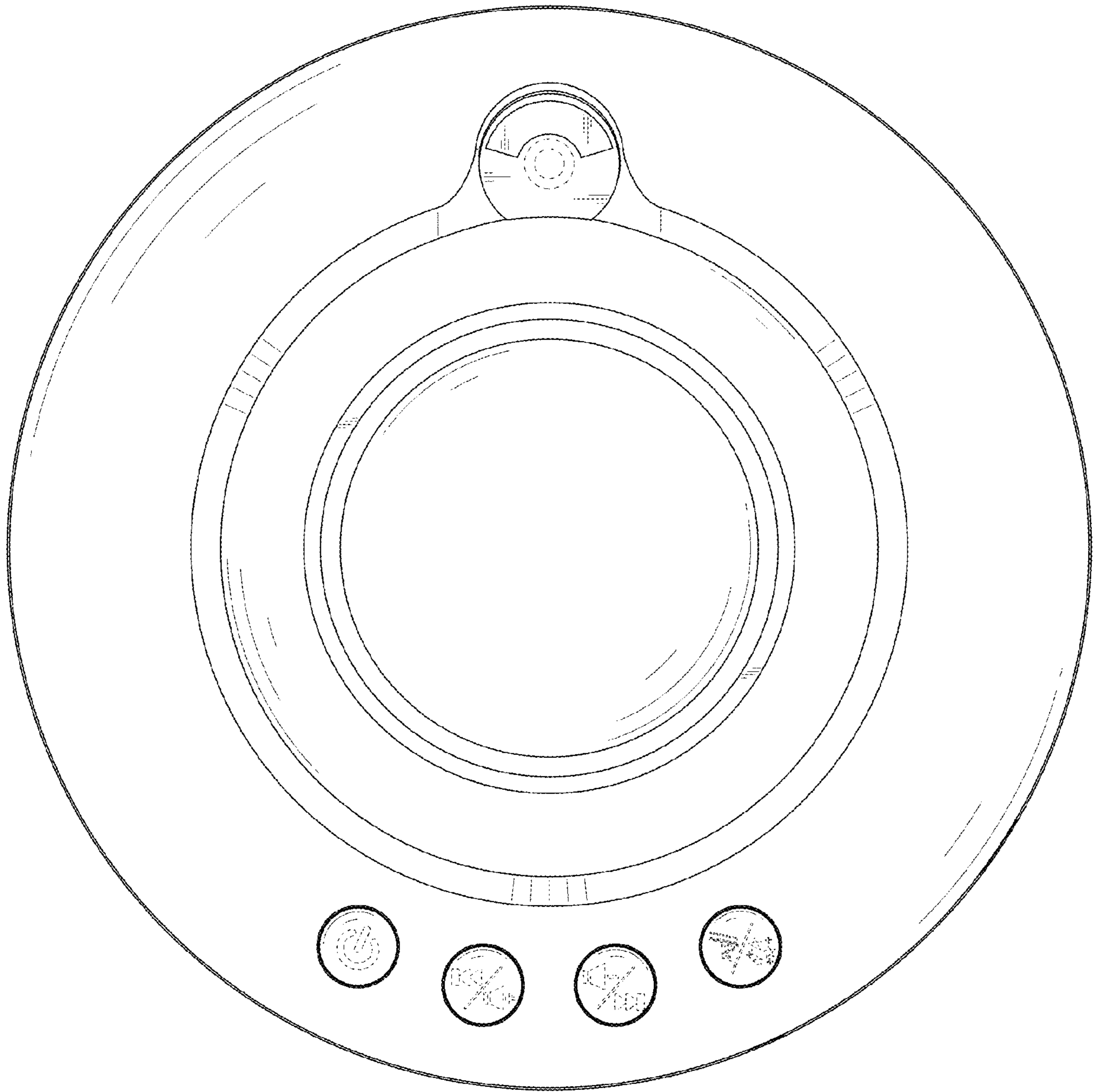


FIG. 7

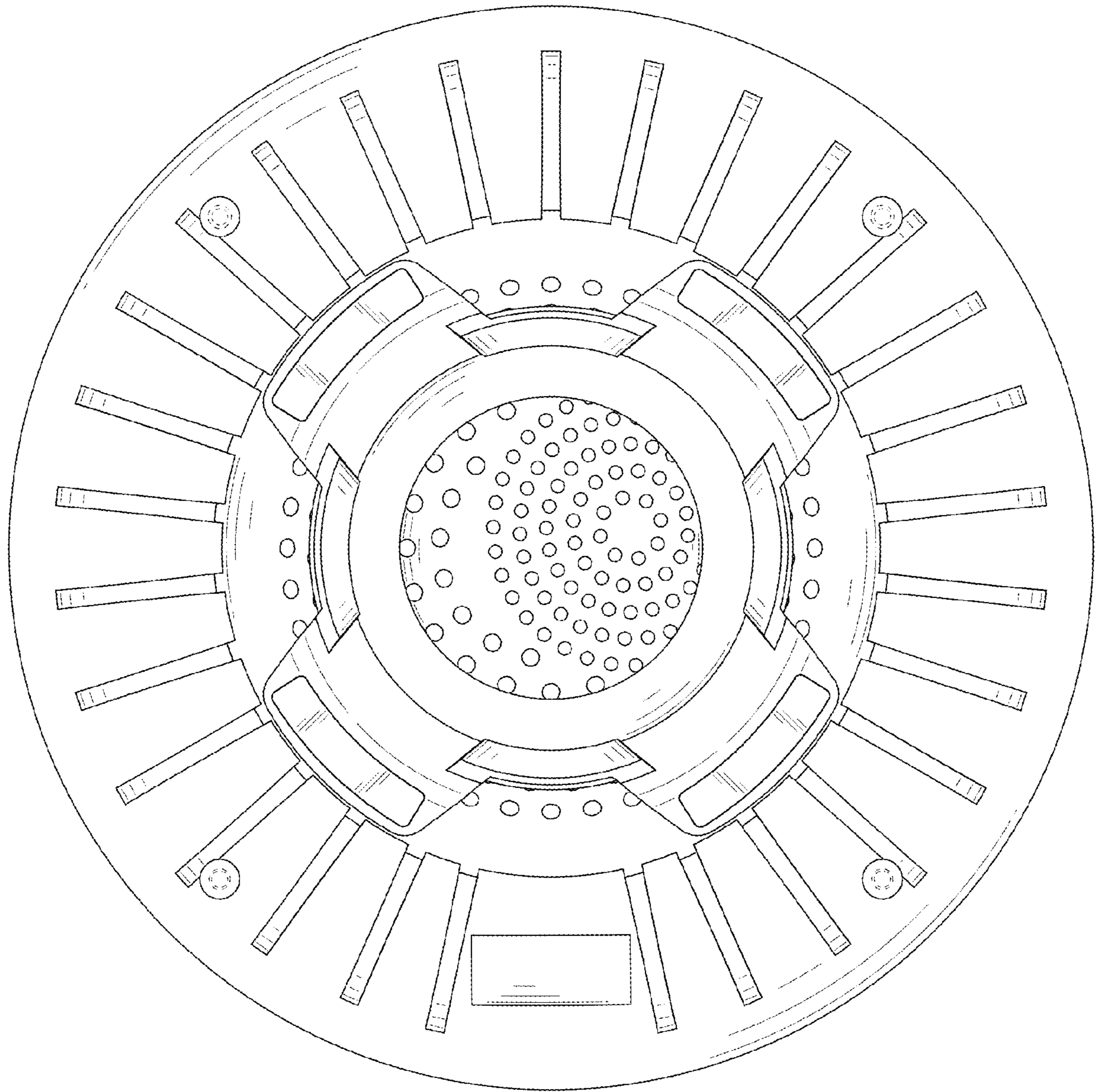


FIG. 8

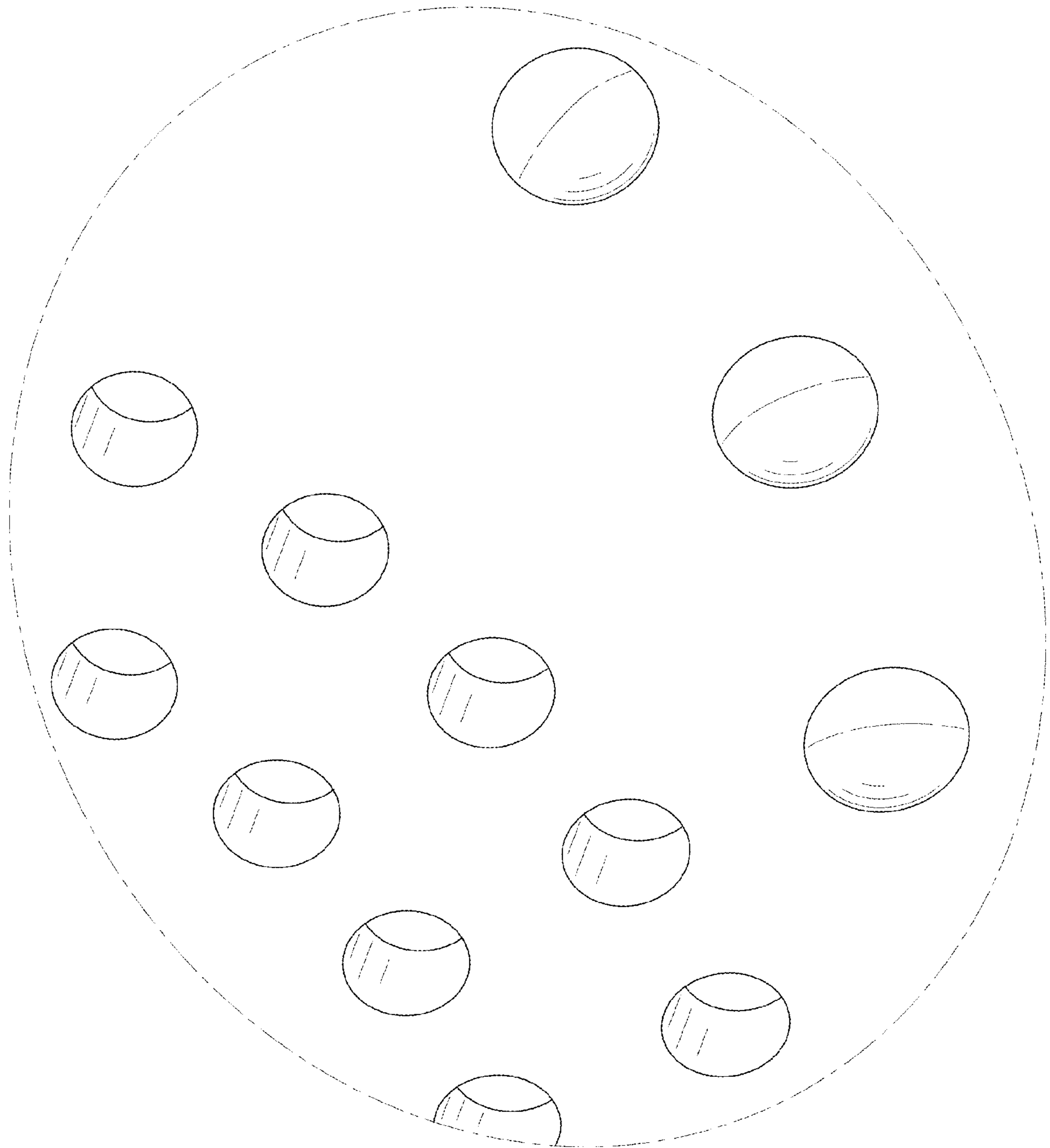


FIG. 9