



US00D946194S

(12) **United States Design Patent**
Zhang

(10) **Patent No.:** **US D946,194 S**

(45) **Date of Patent:** **** Mar. 15, 2022**

(54) **SOLAR-POWERED LIGHT**

(71) Applicant: **Shenzhen YuYiYuan Technology Co., Ltd, Guangdong (CN)**

(72) Inventor: **Donglin Zhang, Sichuan (CN)**

(**) Term: **15 Years**

(21) Appl. No.: **29/738,038**

(22) Filed: **Jun. 15, 2020**

(51) **LOC (13) Cl.** **26-05**

(52) **U.S. Cl.**
USPC **D26/67**

(58) **Field of Classification Search**
USPC D26/40, 41, 67-70, 72, 85
CPC F21S 8/03; F21S 8/033; F21S 8/036; F21S 8/081; F21S 9/037; F21W 2111/02; F21W 2111/023; F21W 2131/109
See application file for complete search history.

(56) **References Cited**

U.S. PATENT DOCUMENTS

D639,992 S *	6/2011	Chen	D26/68
D672,488 S *	12/2012	Chen	D26/67
D698,066 S *	1/2014	Sooferian	D26/68
D814,092 S *	3/2018	Chen	D26/67
D888,306 S *	6/2020	Ho	D26/41
D888,311 S *	6/2020	Sooferian	D26/67
D894,465 S *	8/2020	Jiang	D26/68
D903,173 S *	11/2020	Zhu	D26/41
D931,511 S *	9/2021	Yan	F21L 4/00 D26/40

2012/0069581 A1 *	3/2012	Chen	F21V 21/0824 362/311.14
2019/0049096 A1 *	2/2019	Harper	F21V 21/108

OTHER PUBLICATIONS

Bebrant Solar Lantern Flickering Flame Outdoor Hanging Lantern
ASIN: B08QTYZ7QK available from amazon.com Dec. 17, 2020.
(Year: 2020).*

* cited by examiner

Primary Examiner — Clare E Heflin

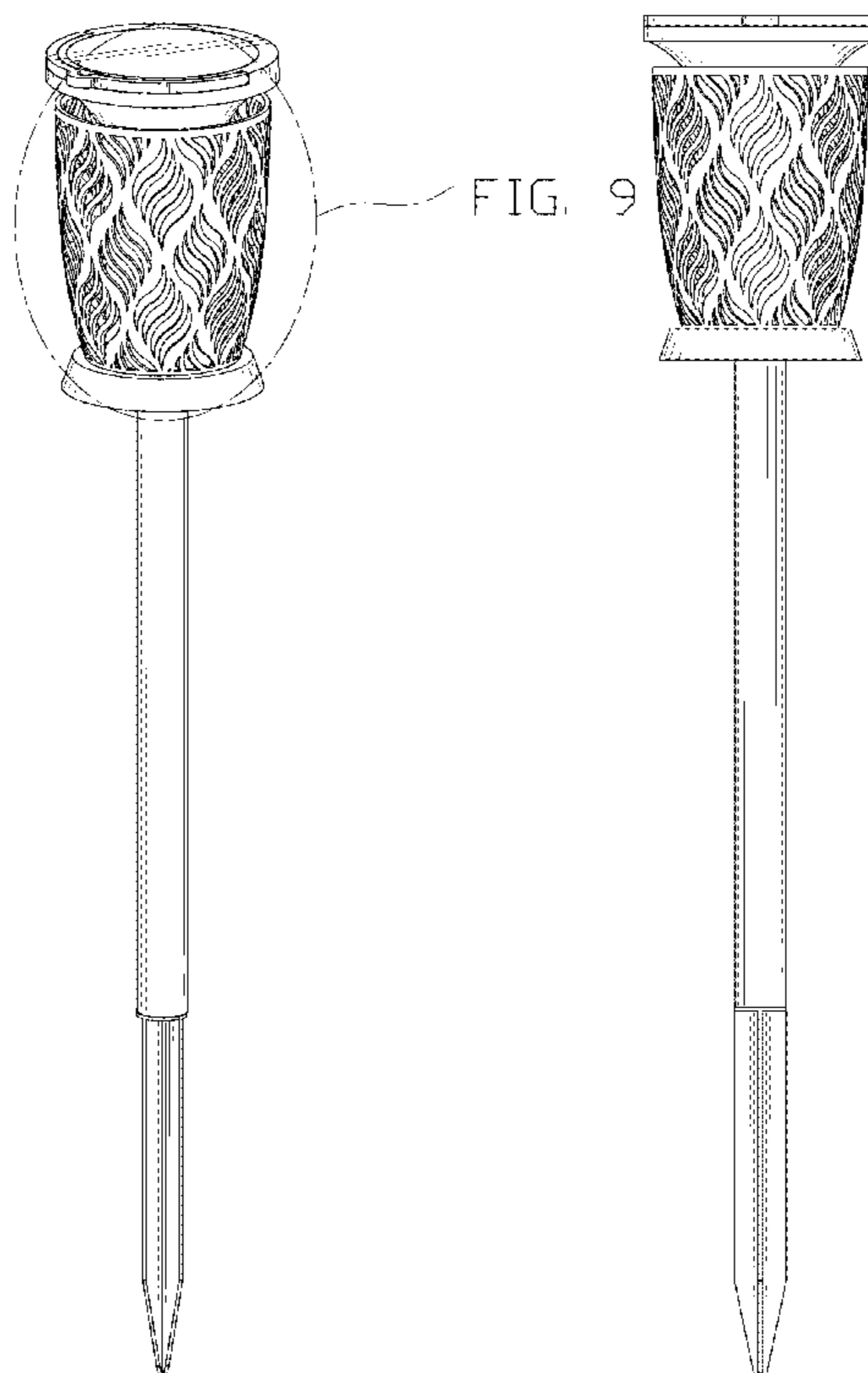
(57) **CLAIM**

The ornamental design for a solar-powered light, as shown and described.

DESCRIPTION

FIG. 1 is a front and top perspective view of a solar-powered light, showing my new design;
FIG. 2 is a rear and bottom perspective view thereof;
FIG. 3 is a front elevational view thereof;
FIG. 4 is a rear elevational view thereof;
FIG. 5 is a left side elevational view thereof;
FIG. 6 is a right side elevational view thereof;
FIG. 7 is a top plan view thereof;
FIG. 8 is a bottom plan view thereof; and,
FIG. 9 is an enlarged view of a portion indicated in FIG. 1. The dashed broken lines in the figures illustrate portions of the article that form no part of the claimed design. The dash dot dash lines in FIGS. 1 and 9 are for the purpose of depicting the cut line of the enlarged view and form no part of the claim.

1 Claim, 9 Drawing Sheets



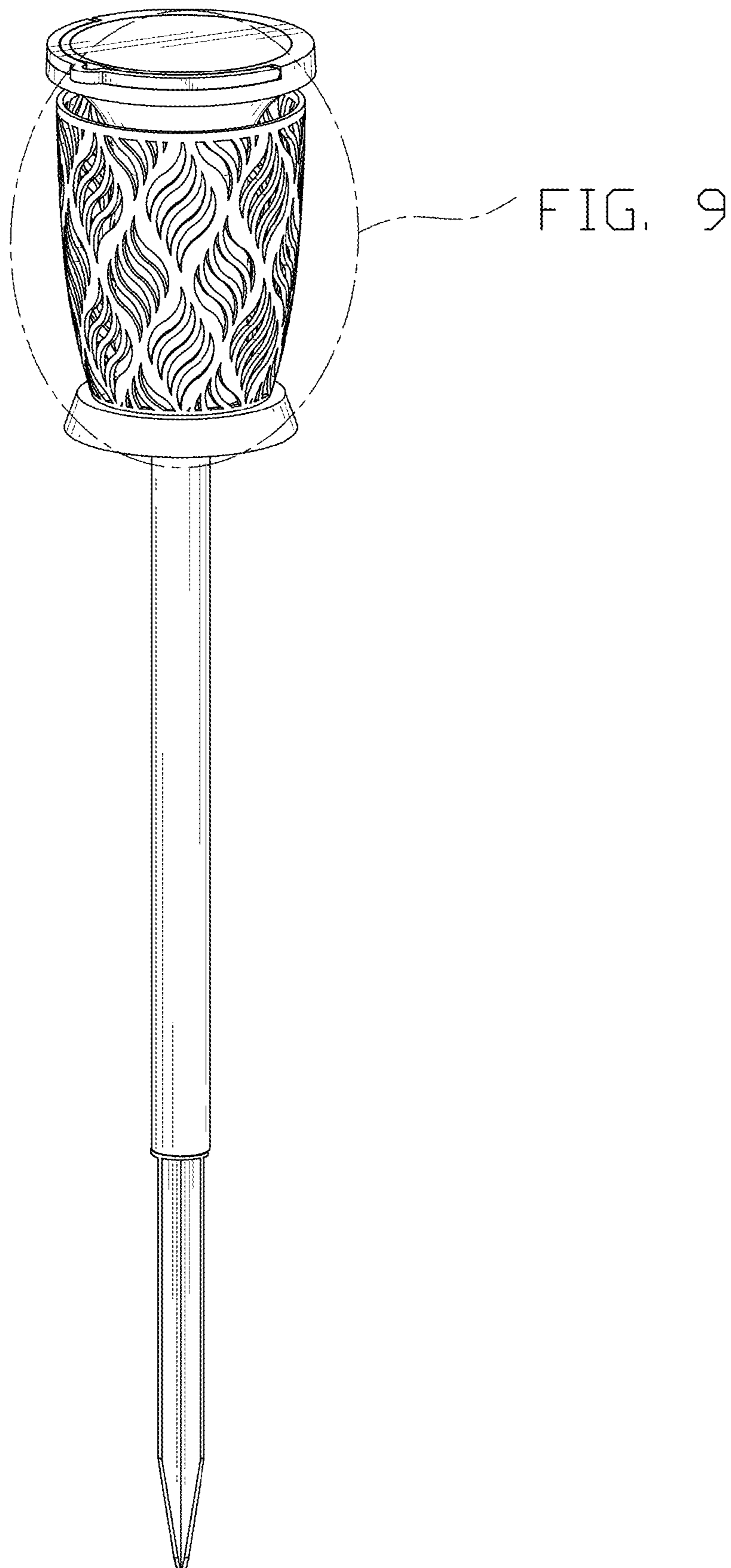


FIG. 9

FIG. 1

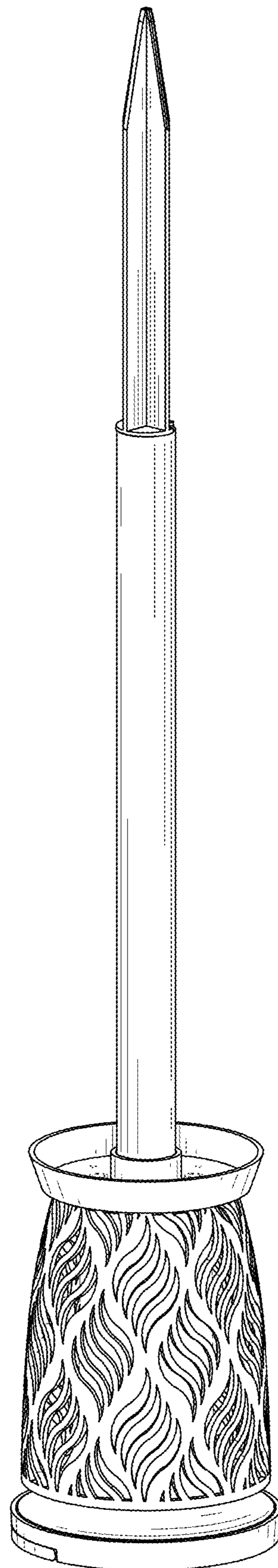


FIG. 2

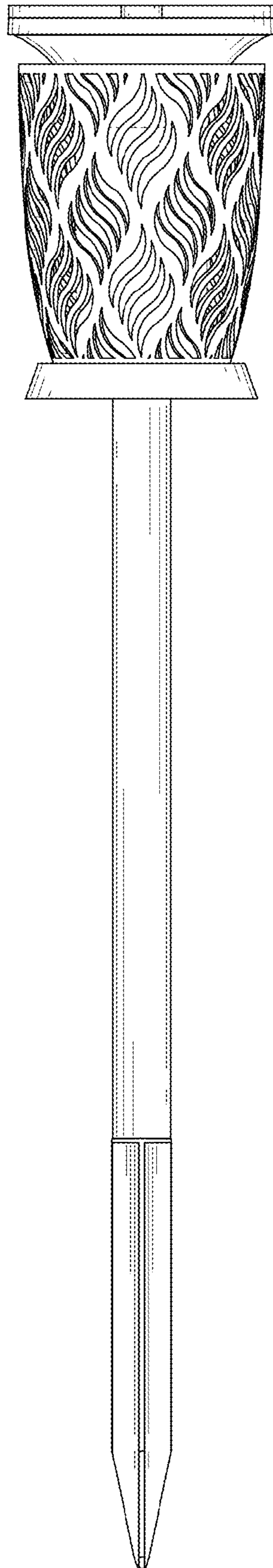


FIG. 3

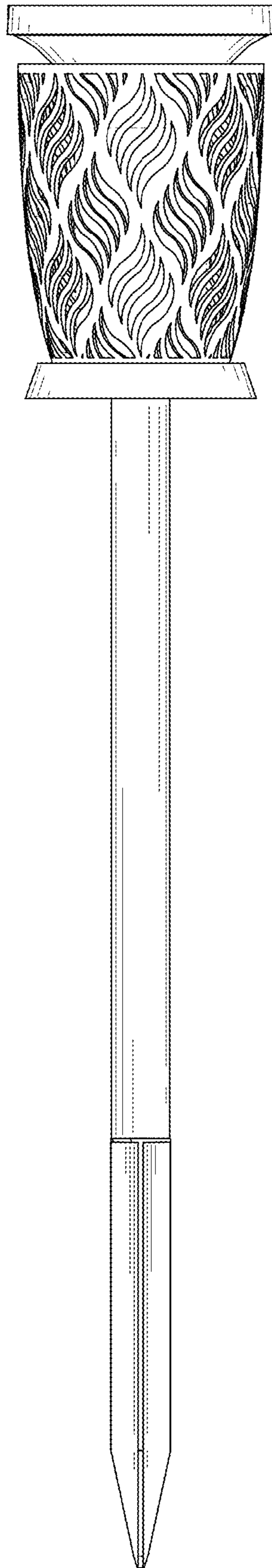


FIG. 4

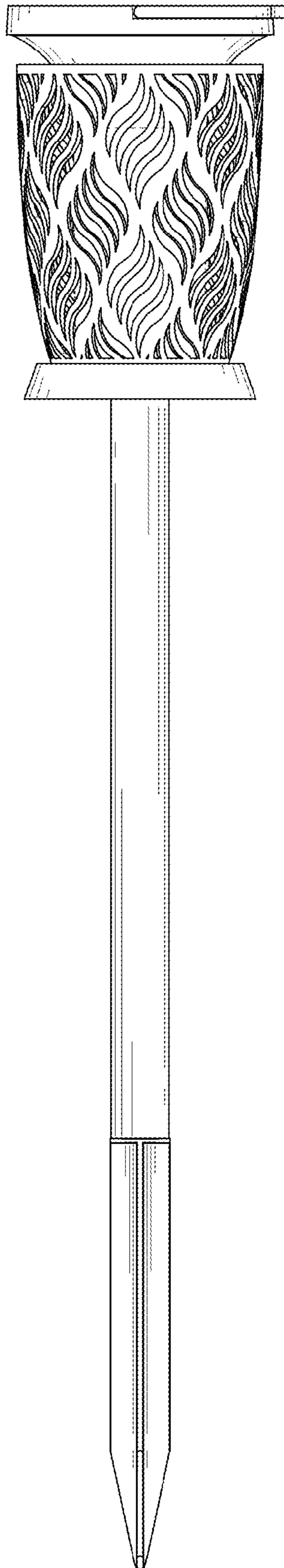


FIG. 5

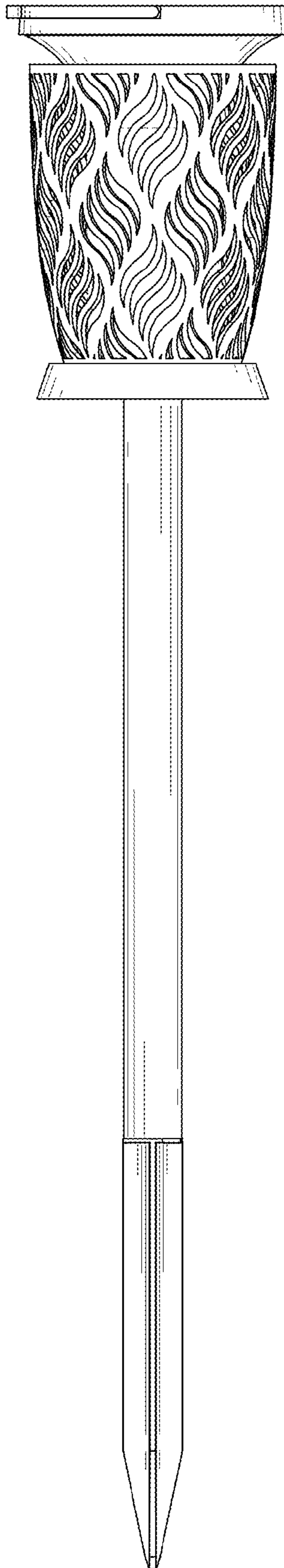


FIG. 6

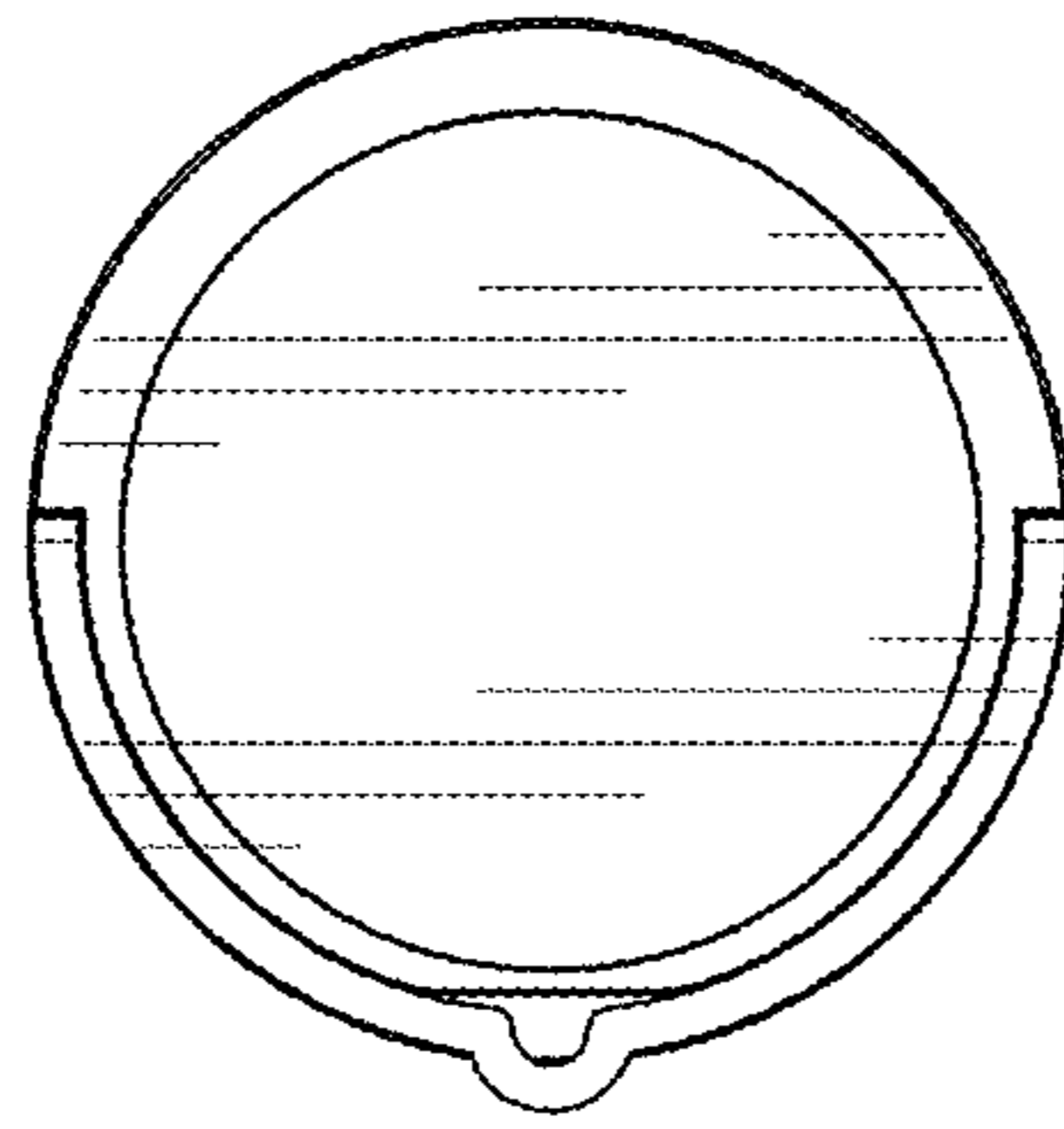


FIG. 7

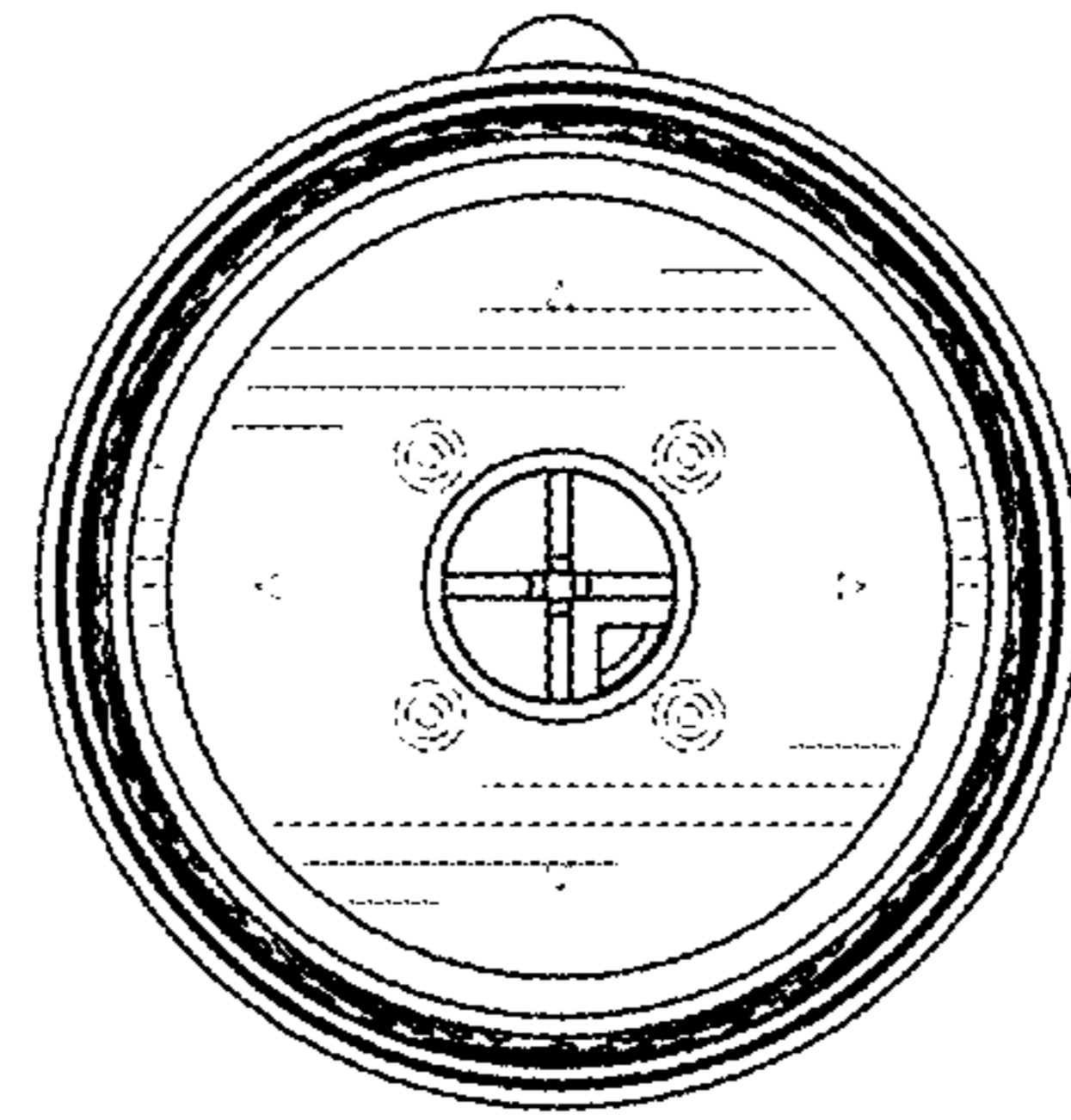


FIG. 8

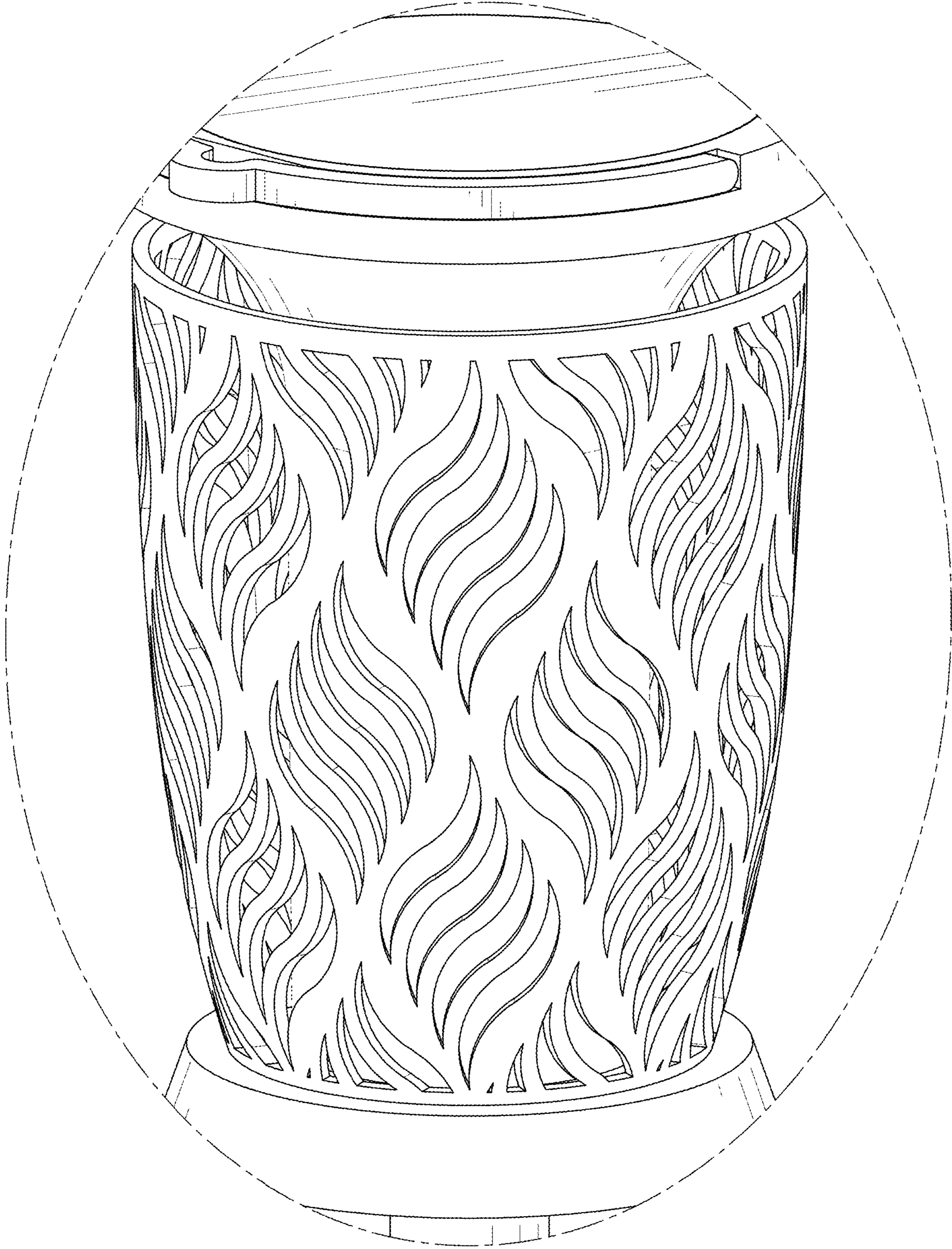


FIG. 9