



US00D946193S

(12) **United States Design Patent**  
**Zhang**

(10) **Patent No.:** **US D946,193 S**  
(45) **Date of Patent:** **\*\* Mar. 15, 2022**

(54) **SOLAR-POWERED LIGHT**

(71) Applicant: **Shenzhen YuYiYuan Technology Co., Ltd**, Guangdong (CN)

(72) Inventor: **Donglin Zhang**, Sichuan (CN)

(\*\*) Term: **15 Years**

(21) Appl. No.: **29/738,037**

(22) Filed: **Jun. 15, 2020**

(51) **LOC (13) Cl.** ..... **26-05**

(52) **U.S. Cl.**  
USPC ..... **D26/67**

(58) **Field of Classification Search**  
USPC ..... D26/40, 41, 67-70, 72, 85  
CPC .... F21S 8/03; F21S 8/033; F21S 8/036; F21S 8/081; F21S 9/037; F21W 2111/02; F21W 2111/023; F21W 2131/109  
See application file for complete search history.

(56) **References Cited**

**U.S. PATENT DOCUMENTS**

D639,992 S *	6/2011	Chen	.....	D26/68
D672,488 S *	12/2012	Chen	.....	D26/67
D698,066 S *	1/2014	Sooferian	.....	D26/68
D814,092 S *	3/2018	Chen	.....	D26/67
D886,344 S *	6/2020	Ho	.....	D26/41
D894,465 S *	8/2020	Jiang	.....	D26/68
D903,173 S *	11/2020	Zhu	.....	D26/41
D906,564 S *	12/2020	Wu	.....	D26/67
D923,229 S *	6/2021	Liao	.....	D26/67
D931,511 S *	9/2021	Yan	.....	F21L 4/00
				D26/40
2012/0069581 A1 *	3/2012	Chen	.....	F21V 21/0824
				362/311.14
2019/0049096 A1 *	2/2019	Harper	.....	F21V 21/108

**OTHER PUBLICATIONS**

Ollivage Upgrade Hanging Solar Lantern, Model No. MFMSCS16 available from walmart.com, visited Dec. 1, 2021. (Year: 2021).\*  
Ollivage Upgrade Hanging Solar Lanterns, ASIN: B08NDFND74 available from amazon.com Nov. 13, 2020. (Year: 2020).\*  
Woenergy Upgraded Solar Lights Outdoor Hanging Lanterns with Ground Stakes ASIN: B08MZVN9KM available from amazon.com Nov. 9, 2020. (Year: 2020).\*

\* cited by examiner

*Primary Examiner* — Clare E Heflin

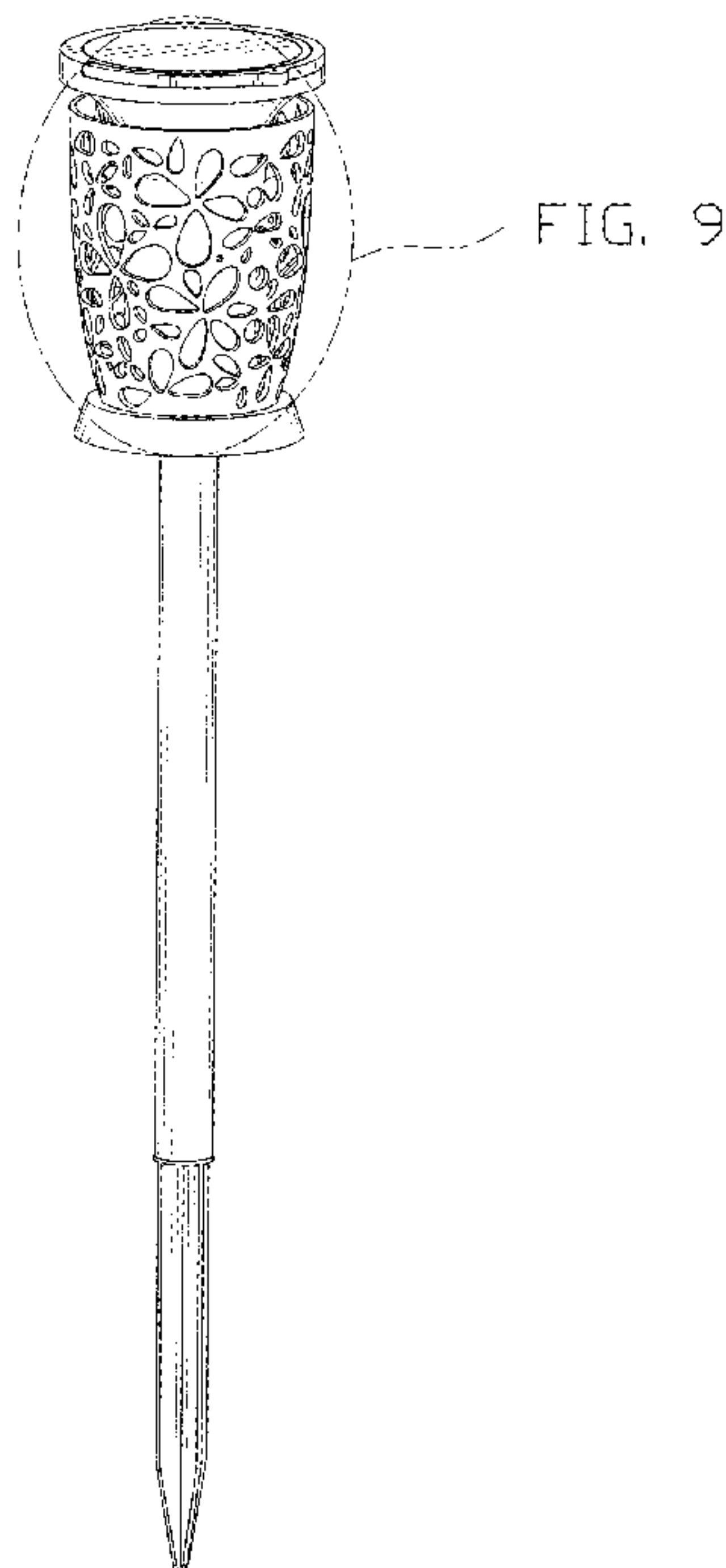
(57) **CLAIM**

The ornamental design for a solar-powered light, as shown and described.

**DESCRIPTION**

FIG. 1 is a front and top perspective view of a solar-powered light, showing my new design;  
FIG. 2 is a rear and bottom perspective view thereof;  
FIG. 3 is a front elevational view thereof;  
FIG. 4 is a rear elevational view thereof;  
FIG. 5 is a left side elevational view thereof;  
FIG. 6 is a right side elevational view thereof;  
FIG. 7 is a top plan view thereof;  
FIG. 8 is a bottom plan view thereof; and,  
FIG. 9 is an enlarged view of a portion indicated in FIG. 1. The dashed broken lines in the figures illustrate portions of the article that form no part of the claimed design. The dash dot dash lines in FIGS. 1 and 9 are for the purpose of depicting the cut line of the enlarged view and form no part of the claim.

**1 Claim, 9 Drawing Sheets**



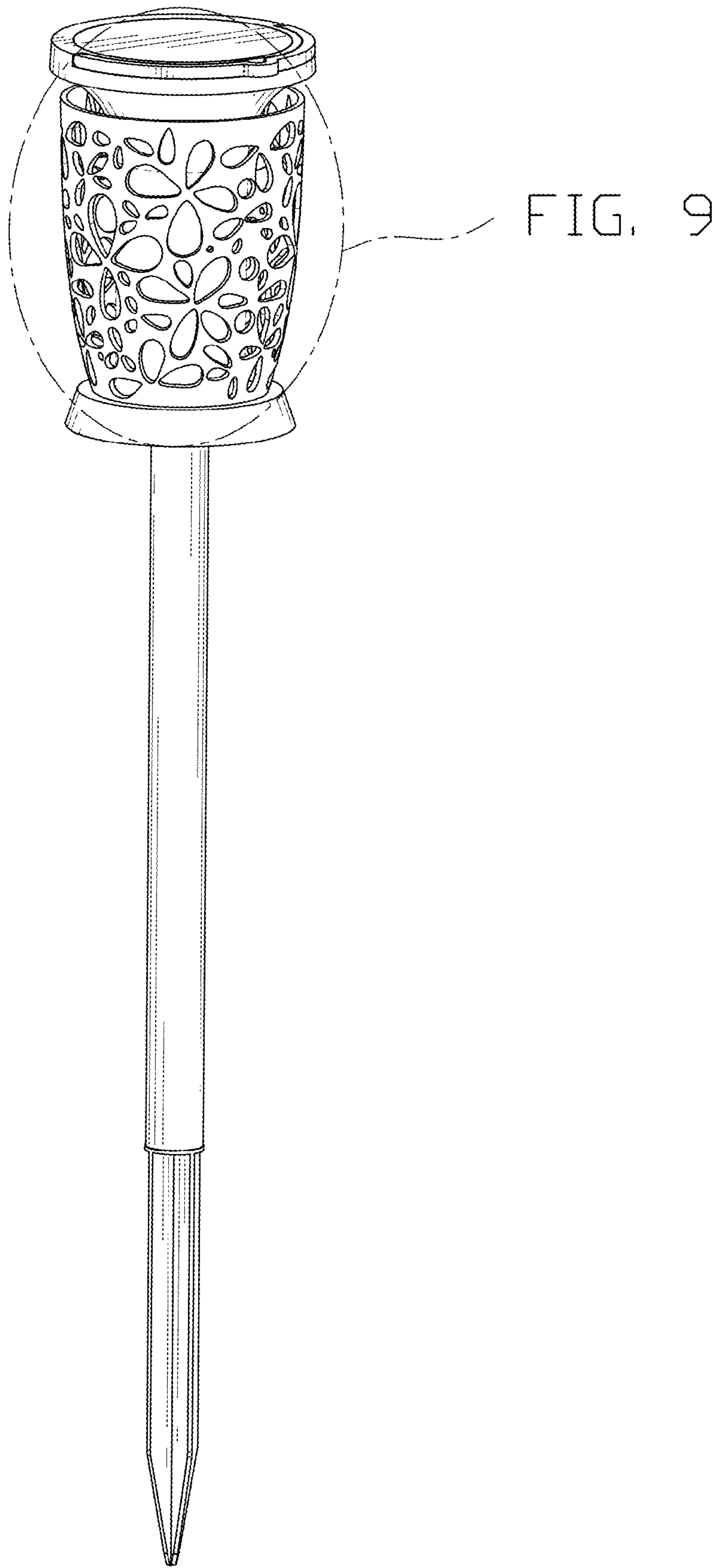


FIG. 1

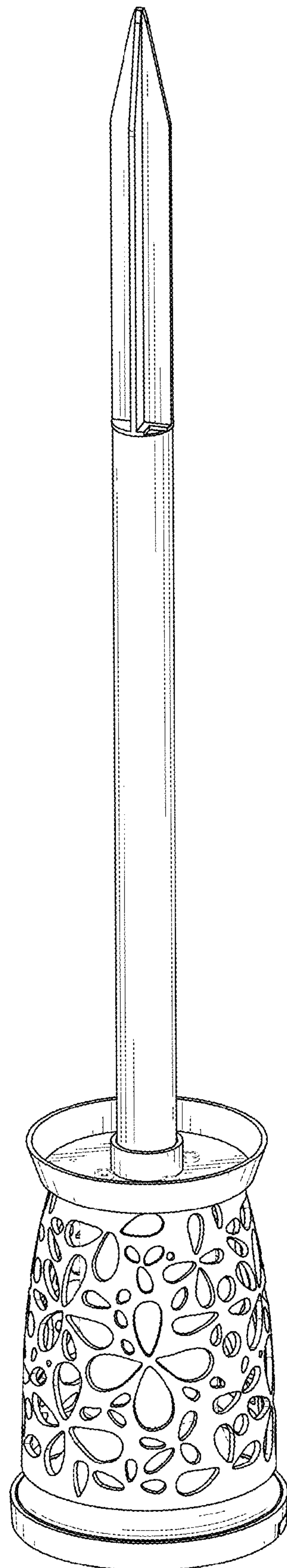


FIG. 2

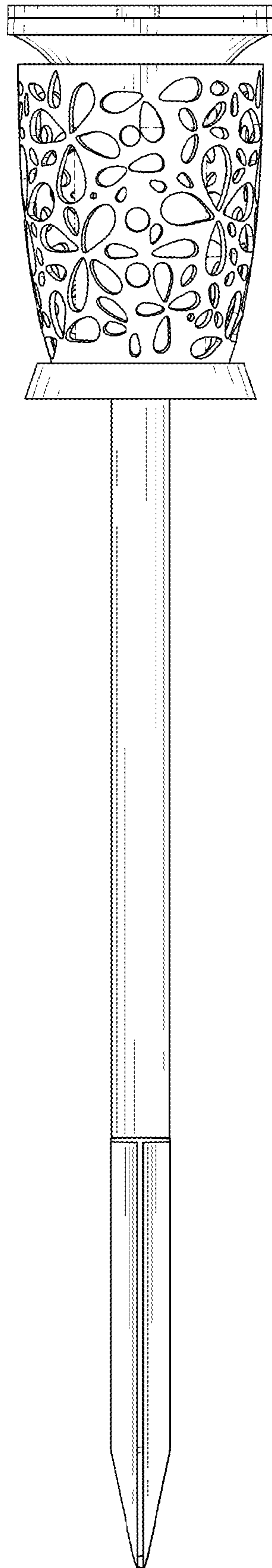


FIG. 3

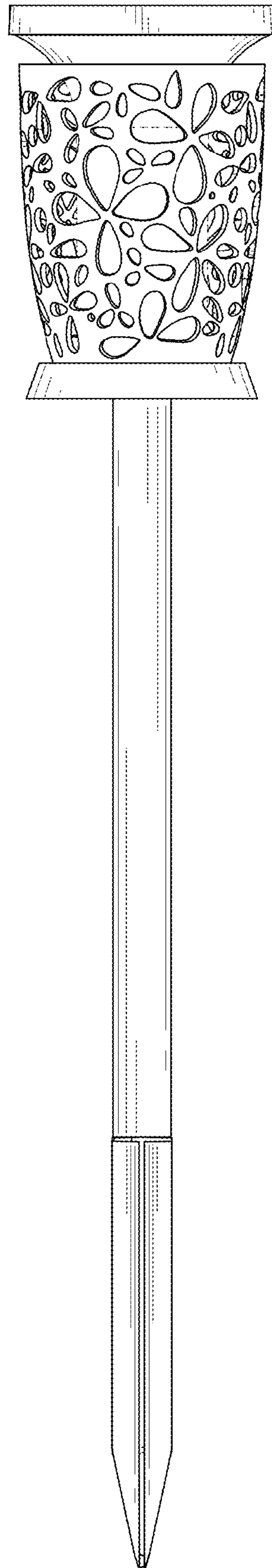


FIG. 4



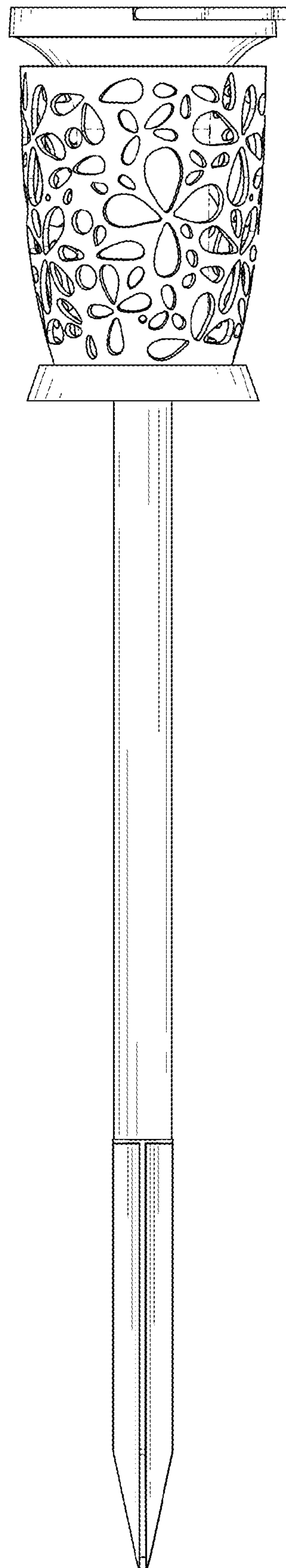


FIG. 5

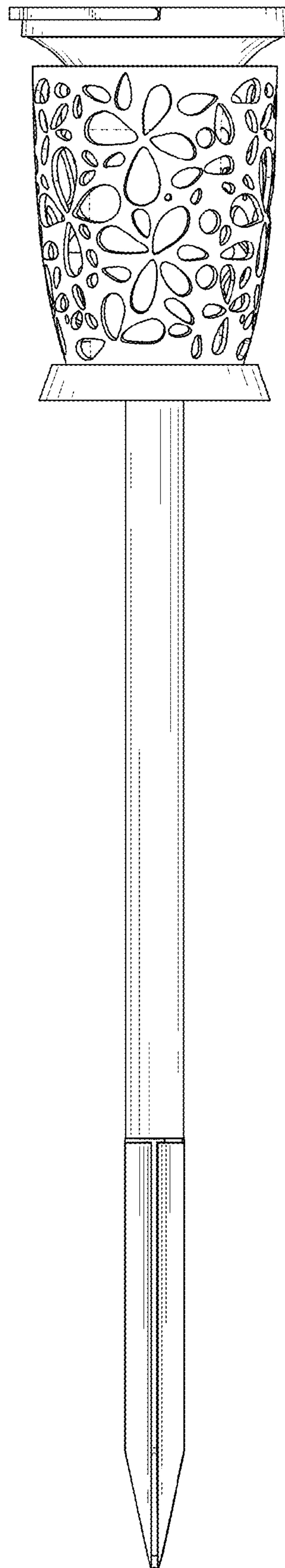


FIG. 6

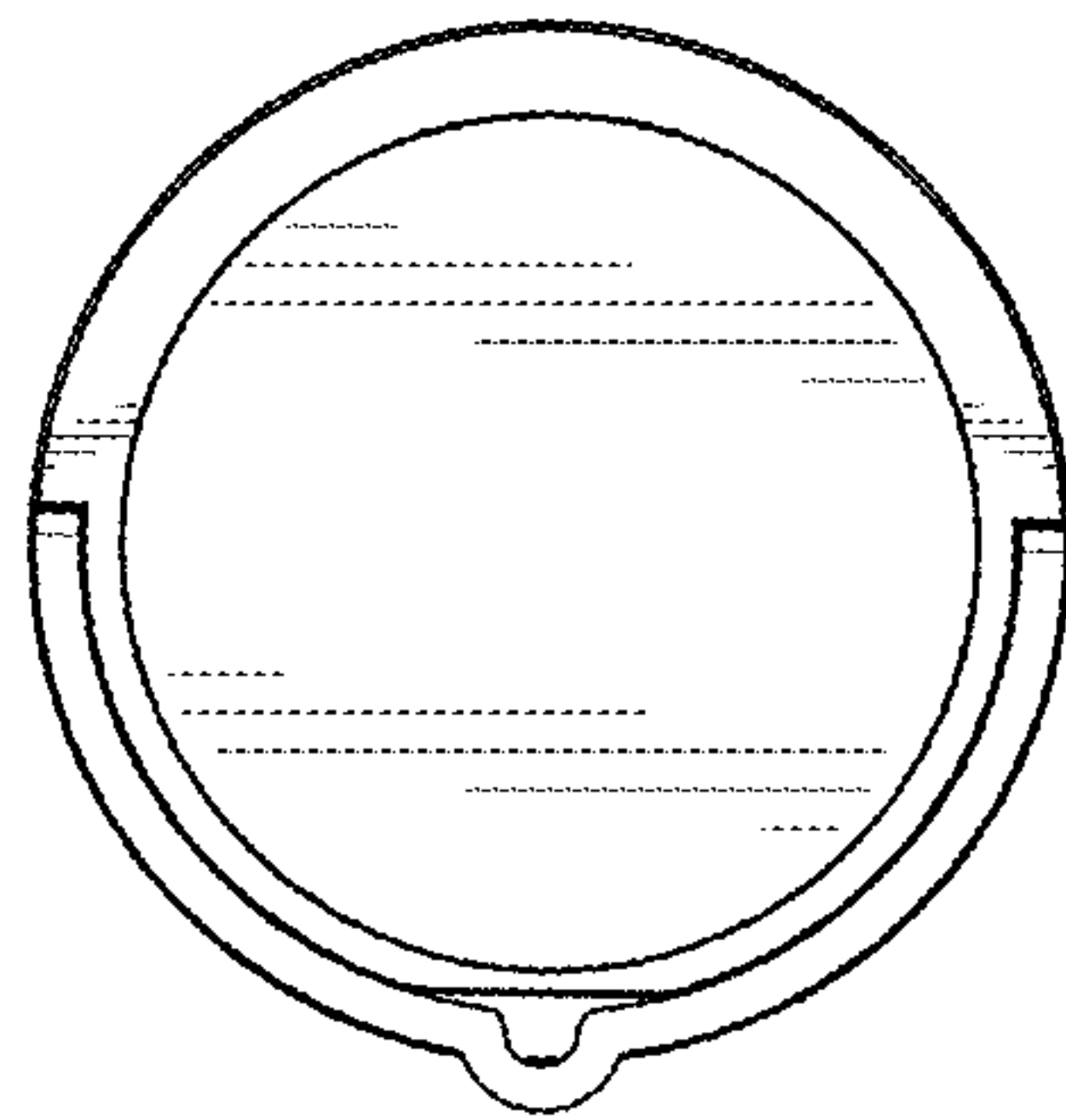


FIG. 7



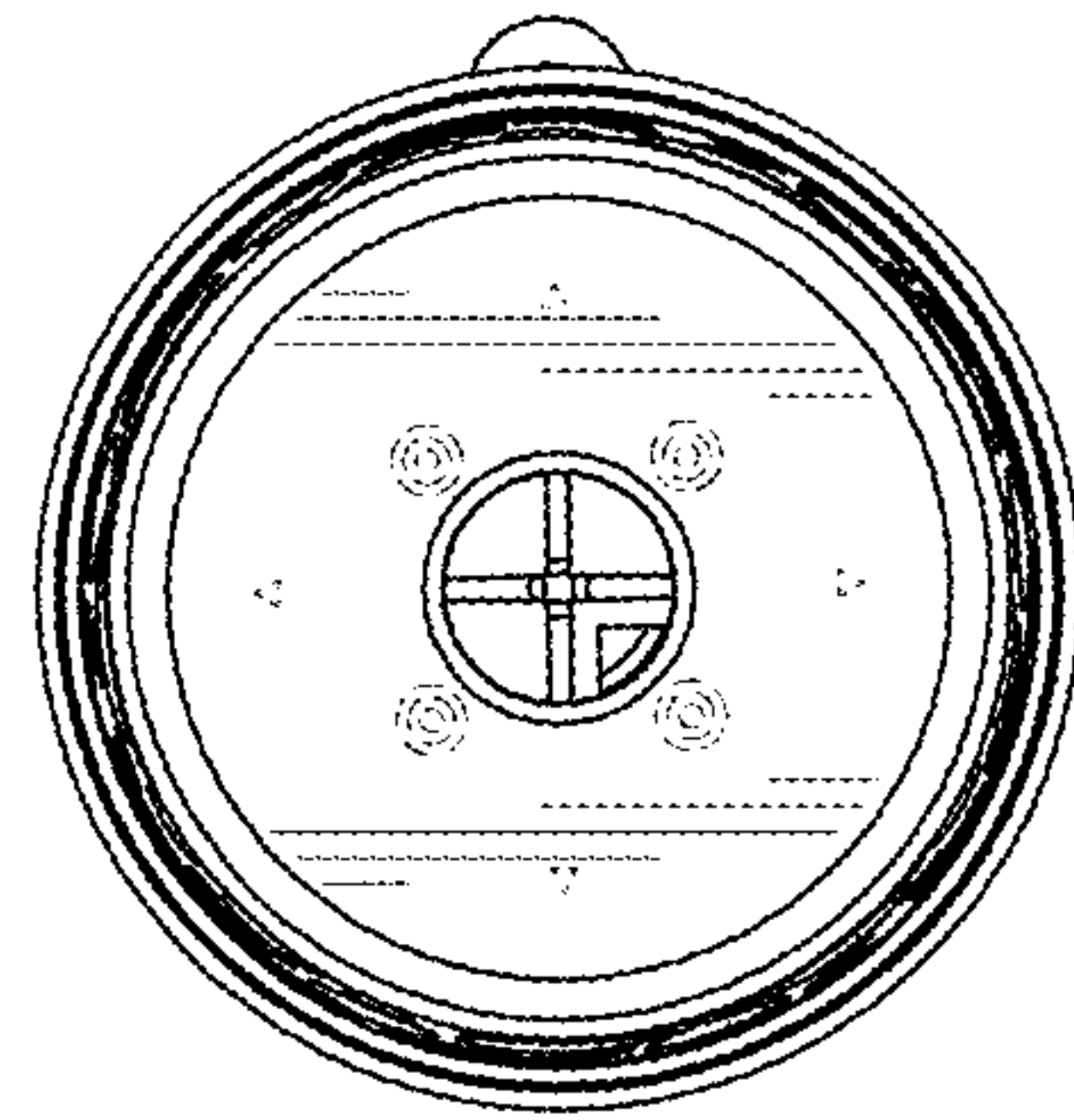


FIG. 8

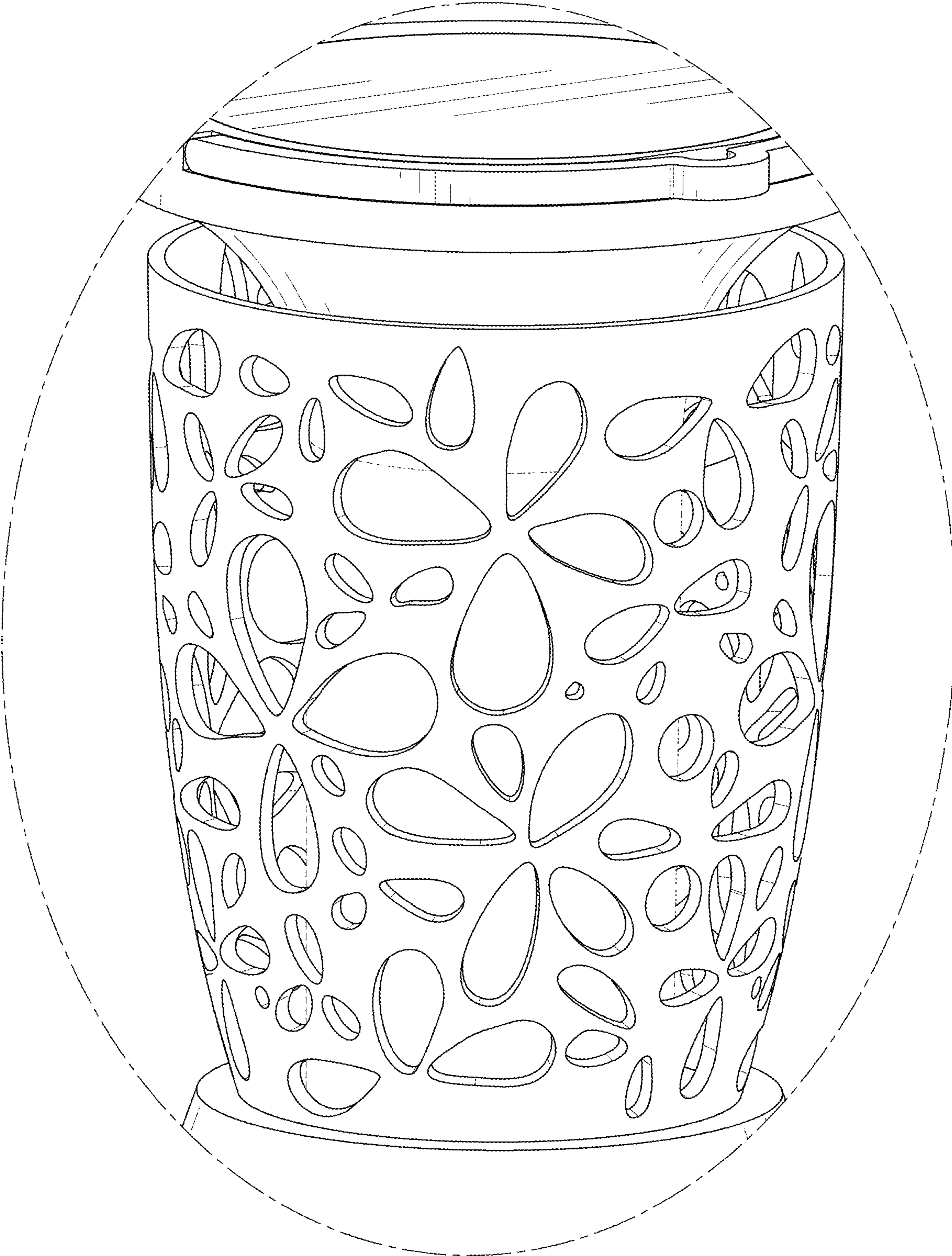


FIG. 9