



US00D946190S

(12) **United States Design Patent**
Zhou

(10) **Patent No.:** **US D946,190 S**
(45) **Date of Patent:** **** Mar. 15, 2022**

(54) **LAMP**

(71) Applicant: **Zhongshan Jingda Lighting Appliance Co., Ltd., Zhongshan (CN)**

(72) Inventor: **Zhenjing Zhou, Zhanjiang (CN)**

(73) Assignee: **Zhongshan Jingda Lighting Appliance Co., Ltd., Zhongshan (CN)**

(**) Term: **15 Years**

(21) Appl. No.: **29/779,111**

(22) Filed: **Apr. 16, 2021**

(51) **LOC (13) Cl.** **26-05**

(52) **U.S. Cl.**
USPC **D26/63**

(58) **Field of Classification Search**
USPC D26/1, 2, 3, 24, 26, 63, 65, 72
CPC F21L 2/00; F21S 2/00; F21S 8/00; F21S 8/003; F21S 8/026; F21S 8/037
See application file for complete search history.

(56) **References Cited**

U.S. PATENT DOCUMENTS

D613,443 S *	4/2010	Chen	D26/70
D861,926 S	10/2019	Lin		
D870,943 S	12/2019	Kuang		
D884,952 S *	5/2020	Cao	D26/63
D886,353 S *	6/2020	Du	D26/63
D887,610 S	6/2020	Wei		
D895,170 S *	9/2020	Zhang	D26/2
D908,250 S *	1/2021	Xu	D26/2
D916,347 S *	4/2021	Liu	D26/63
D917,089 S *	4/2021	Rajasekaran	F21K 9/65
				D26/63
D919,154 S *	5/2021	Zhou	D26/63
D919,869 S *	5/2021	Yang	D26/63
D919,870 S *	5/2021	Li	D26/63

D923,228 S *	6/2021	Ye	D26/63
D925,086 S *	7/2021	Ma	D26/63
2014/0307431 A1 *	10/2014	Santashev	F21V 23/006
				362/235

FOREIGN PATENT DOCUMENTS

CN 202030141639.8 * 8/2020

OTHER PUBLICATIONS

Amazon, "LED Garage Lights 120W 12000LM", first available Feb. 24, 2020. (<https://www.amazon.com/dp/B0853BL3GK/>) (Year: 2020).*

Amazon, "LED Garage Lights, 150W Garage Light", first available Sep. 11, 2020. (<https://www.amazon.com/150W-Deformable-Adjustable-Lighting-Basement/dp/B08HVVHQFLQ/>) (Year: 2020).*

(Continued)

Primary Examiner — Lauren D McVey

Assistant Examiner — Justin A Johnson

(74) *Attorney, Agent, or Firm* — Jinggao Li

(57) **CLAIM**

The ornamental design for lamp, as shown and described.

DESCRIPTION

FIG. 1 is a perspective view of a lamp showing my new design;

FIG. 2 is another perspective view thereof;

FIG. 3 is a front view thereof;

FIG. 4 is a rear view thereof;

FIG. 5 is a left side view thereof;

FIG. 6 is a right side view thereof;

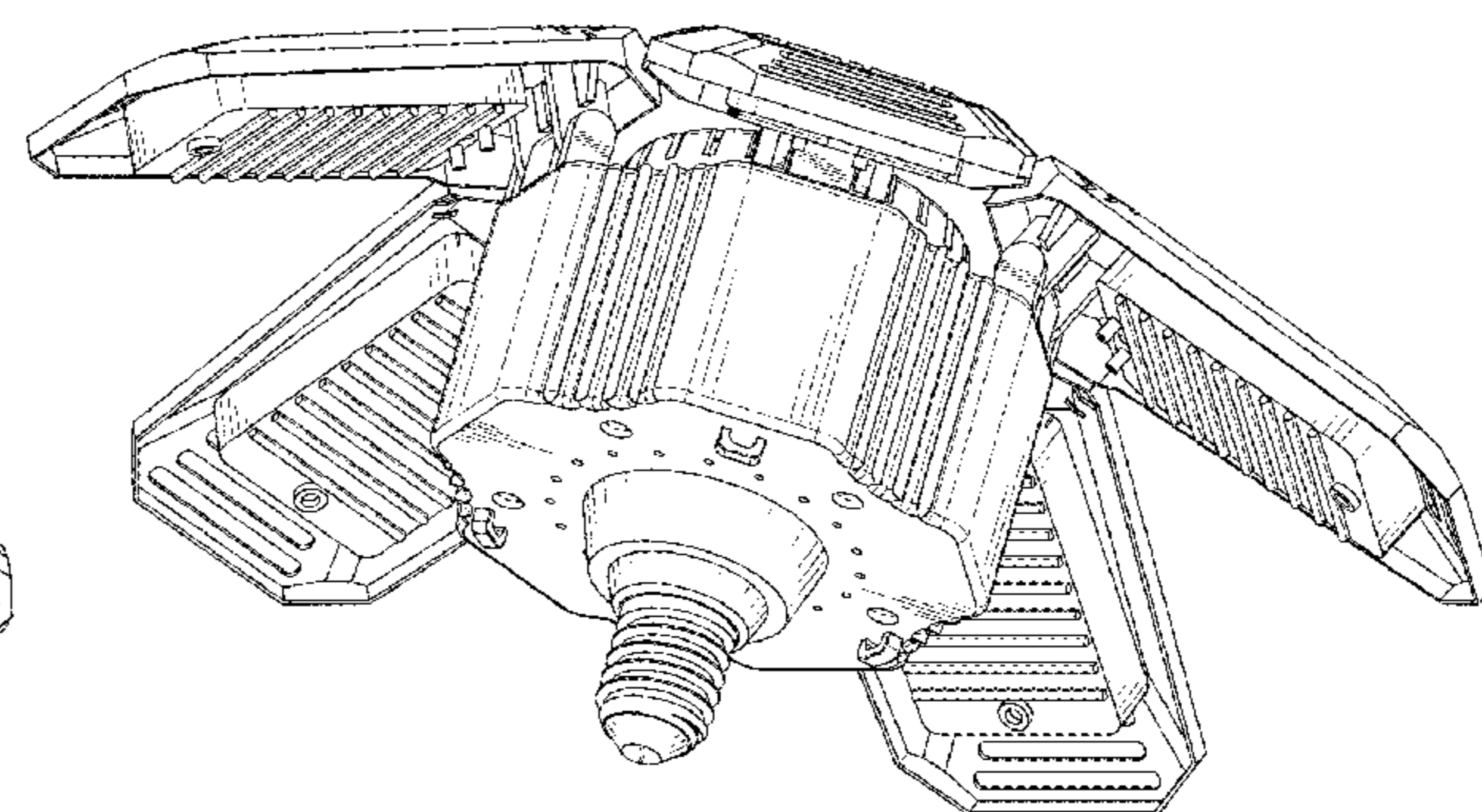
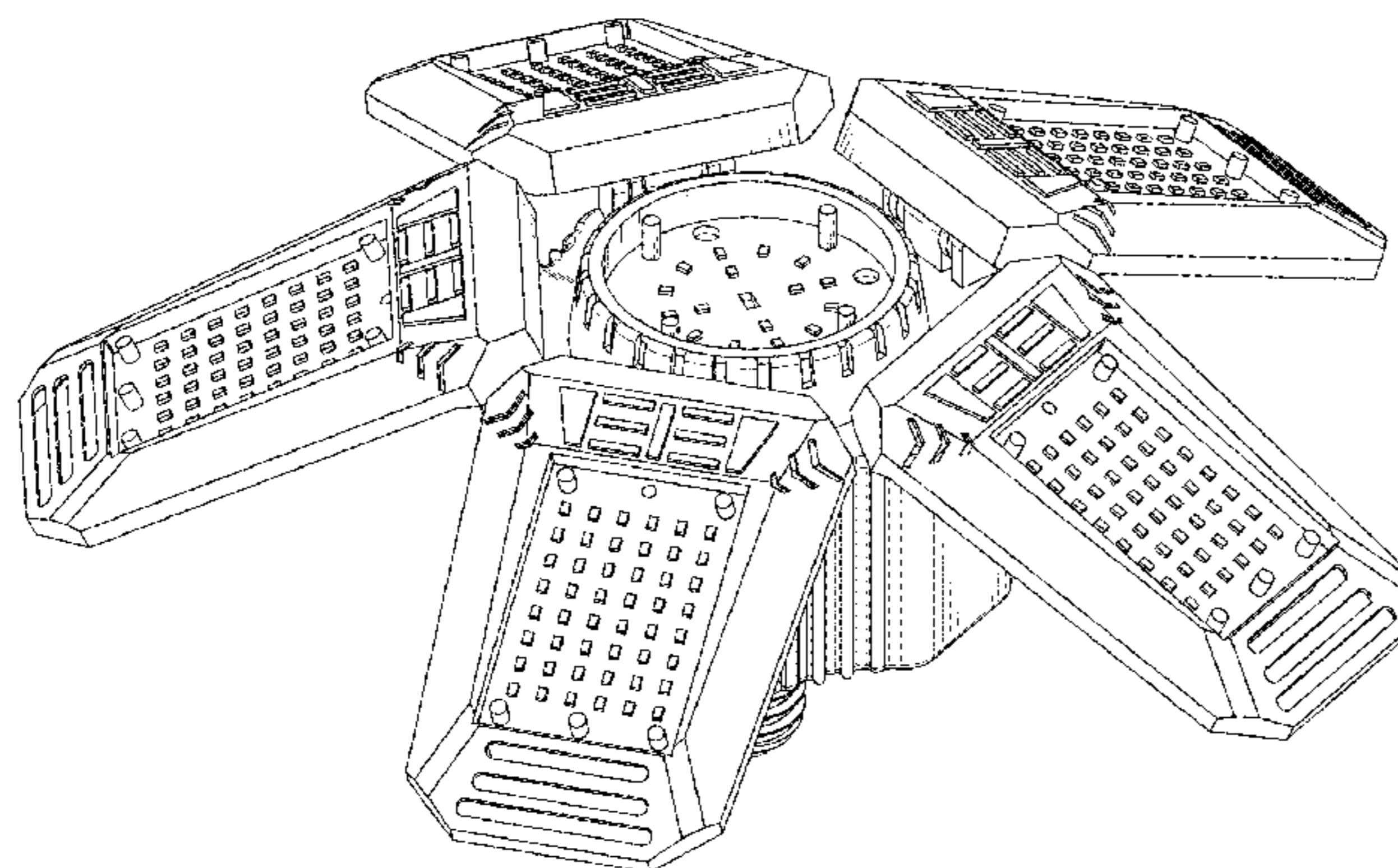
FIG. 7 is a bottom plan view thereof;

FIG. 8 is a top plan view thereof;

FIG. 9 is a perspective view thereof in a use state; and,

FIG. 10 is a perspective view thereof in another use state. The broken lines depict portions of the lamp and form no part of the claimed design.

1 Claim, 10 Drawing Sheets



(56)

References Cited

OTHER PUBLICATIONS

Amazon, "LED Garage Light,300W Deformable LED", first available Sep. 8, 2021. (<https://www.amazon.com/dp/B09BBKT1WY/>) (Year: 2021).*

Amazon, "2 Pack LED Garage Light, 150W Ultra Bright", first available May 25, 2021. (<https://www.amazon.com/dp/B09DKC4L8P/?th=1>) (Year: 2021).*

* cited by examiner

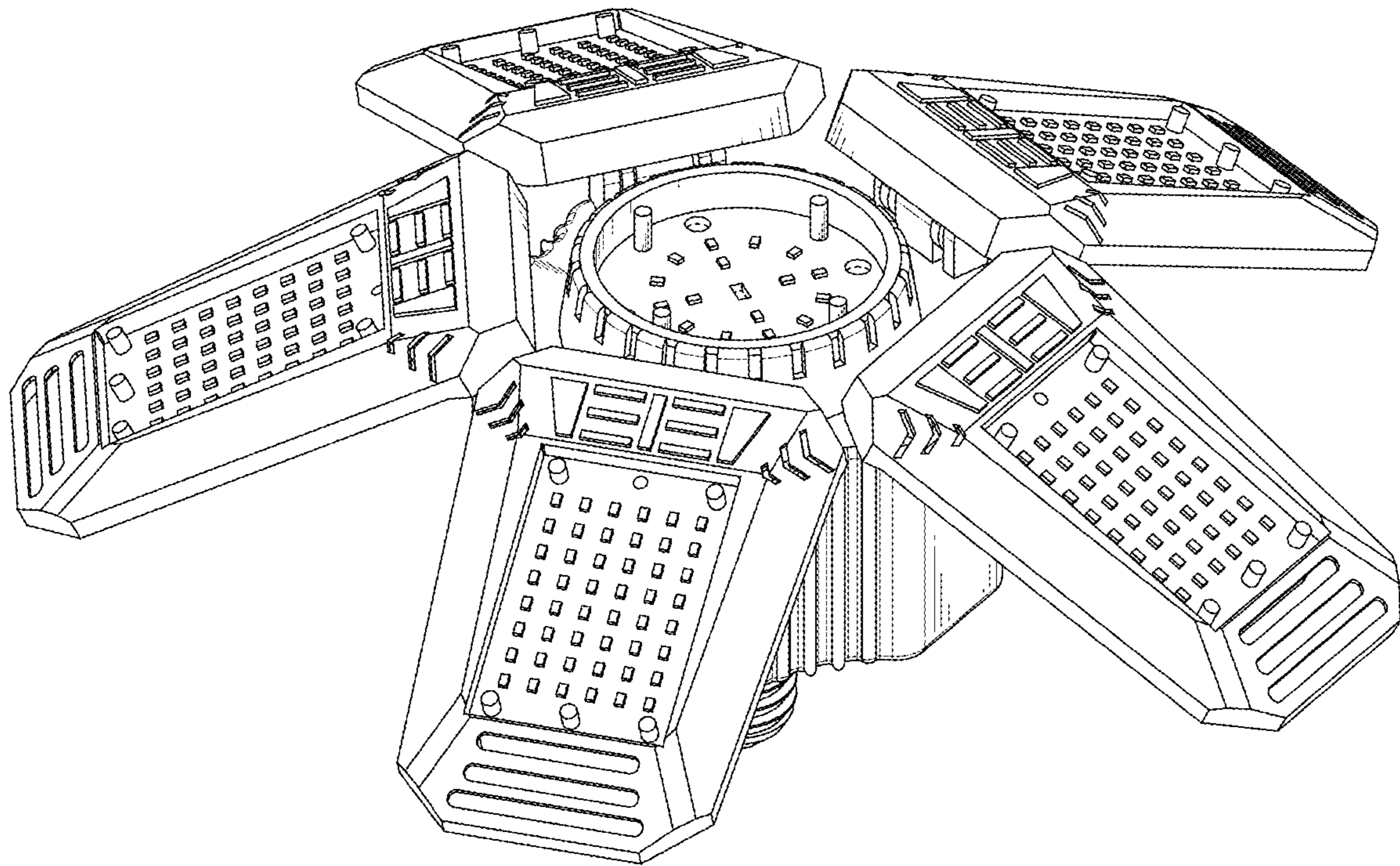


FIG. 1

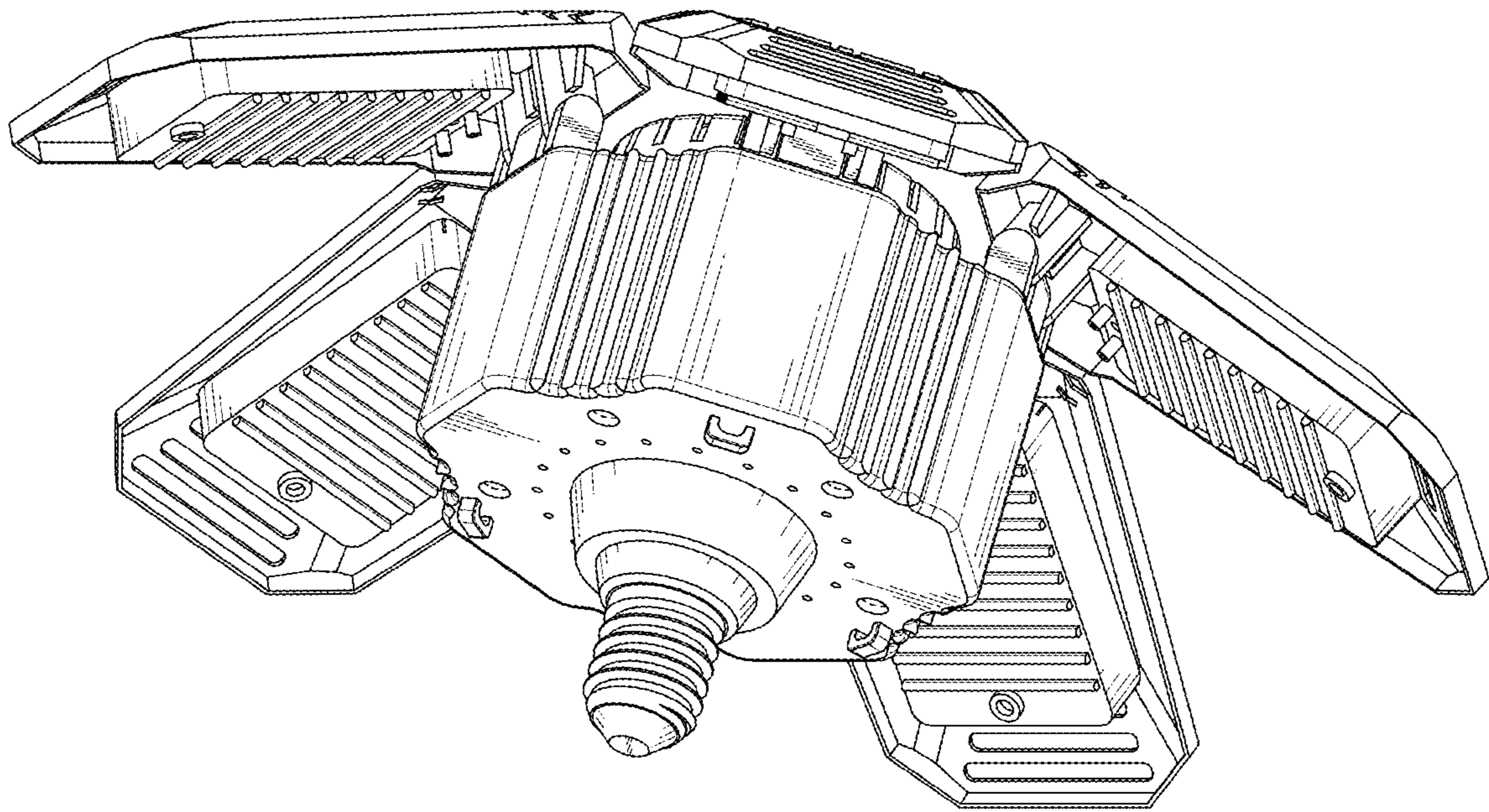


FIG. 2

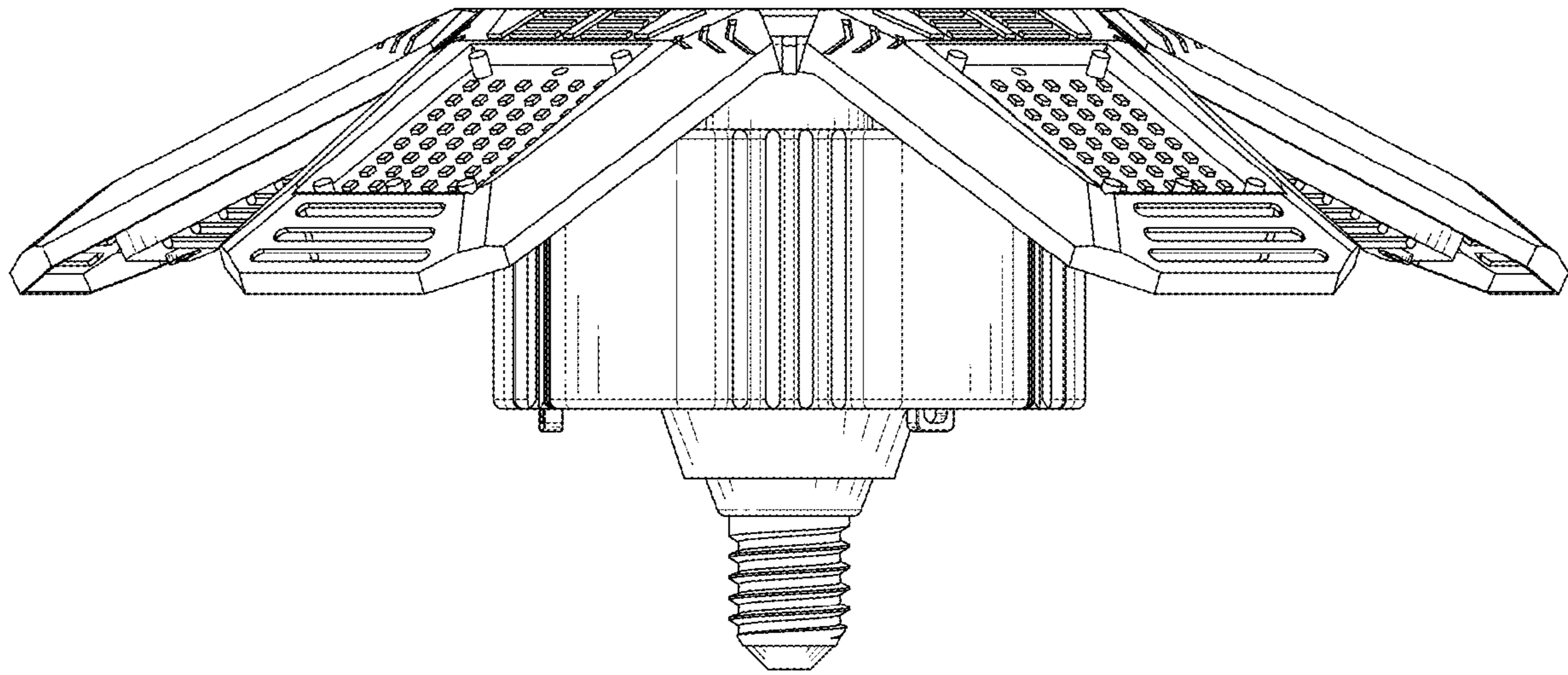


FIG. 3

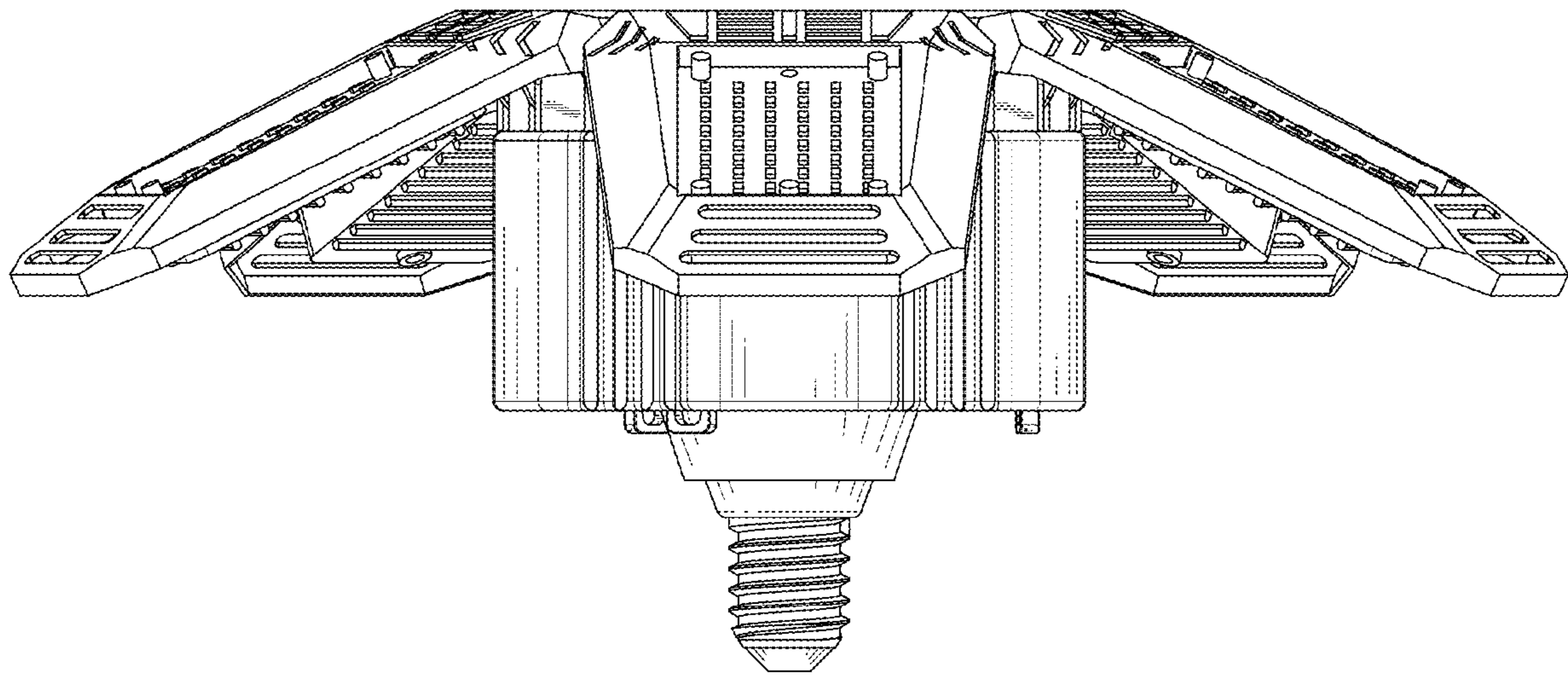


FIG. 4

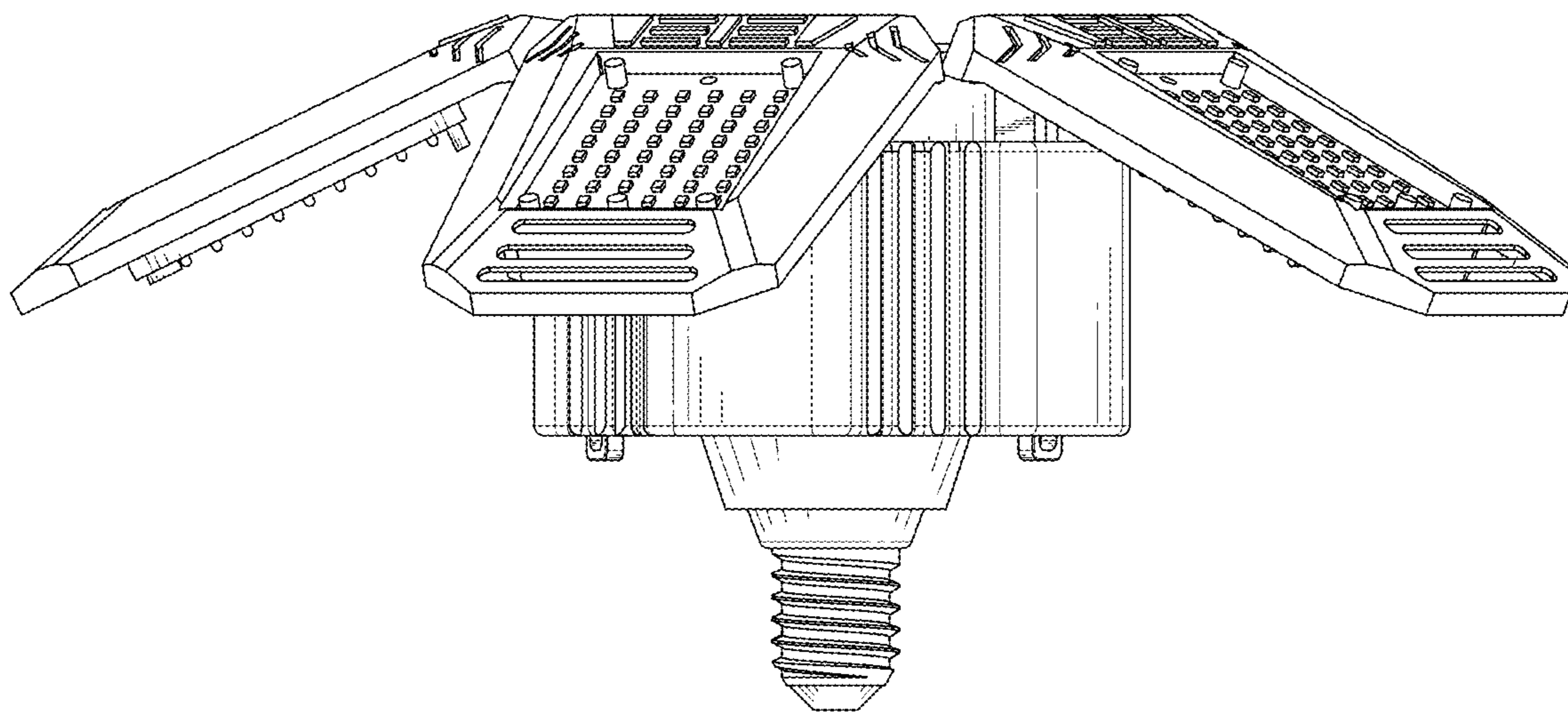


FIG. 5

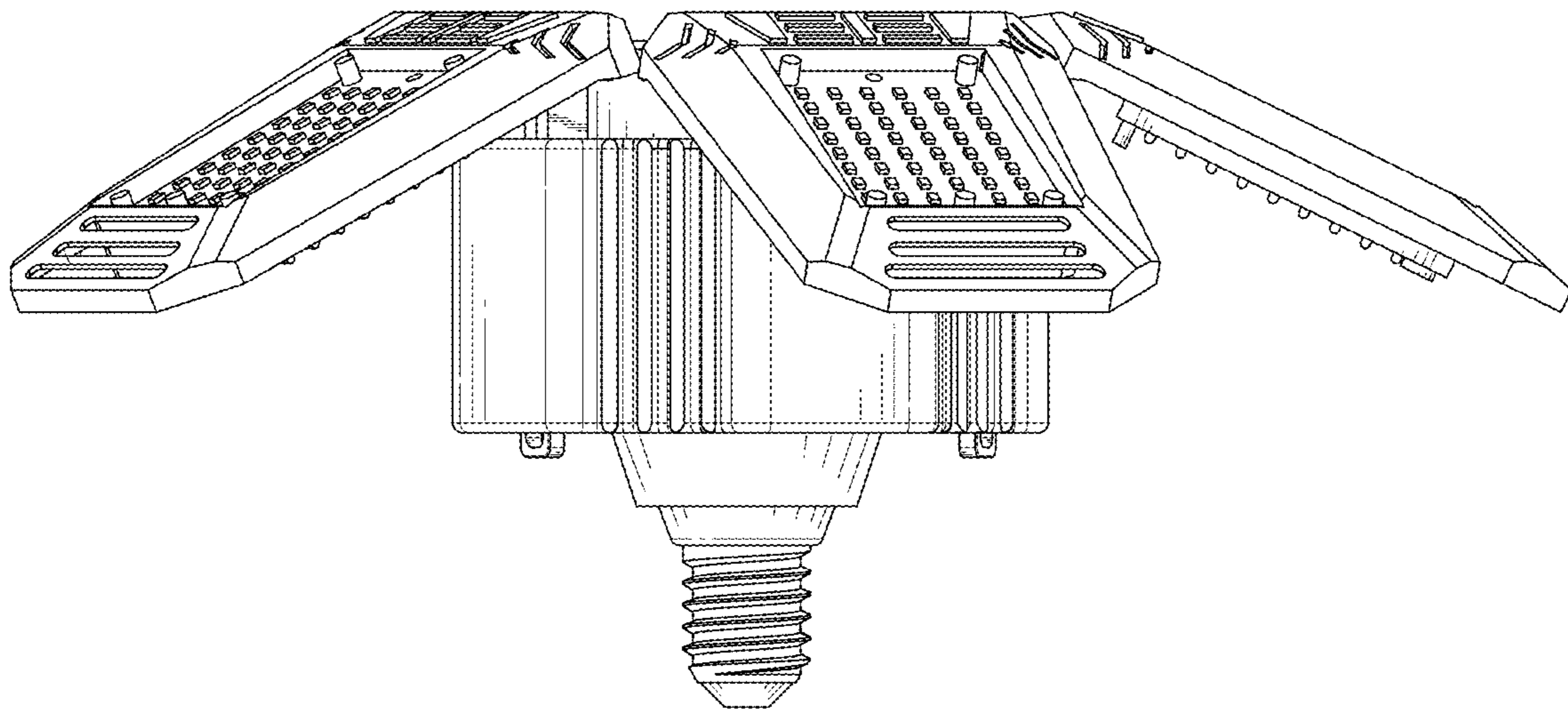


FIG. 6

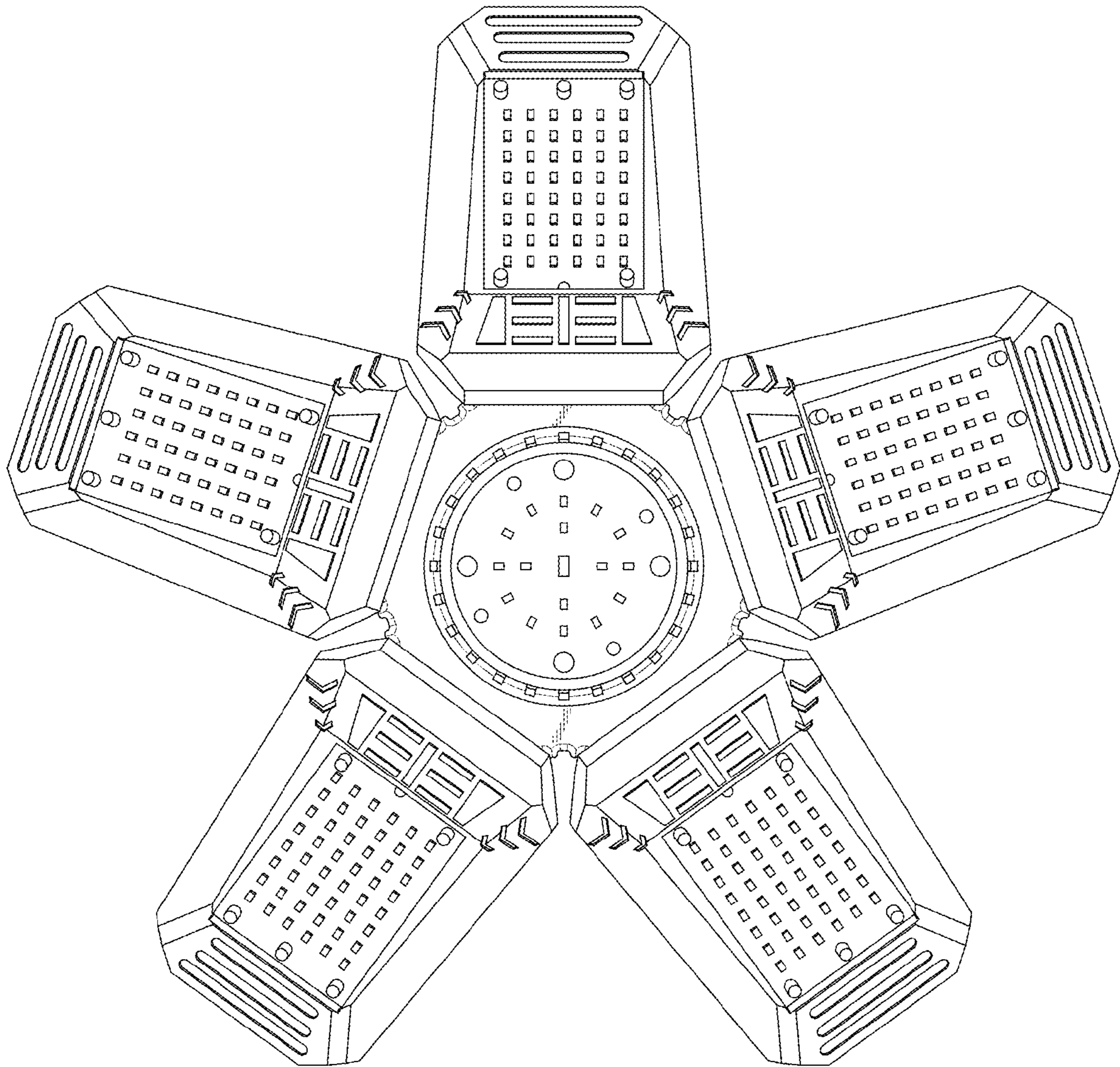


FIG. 7

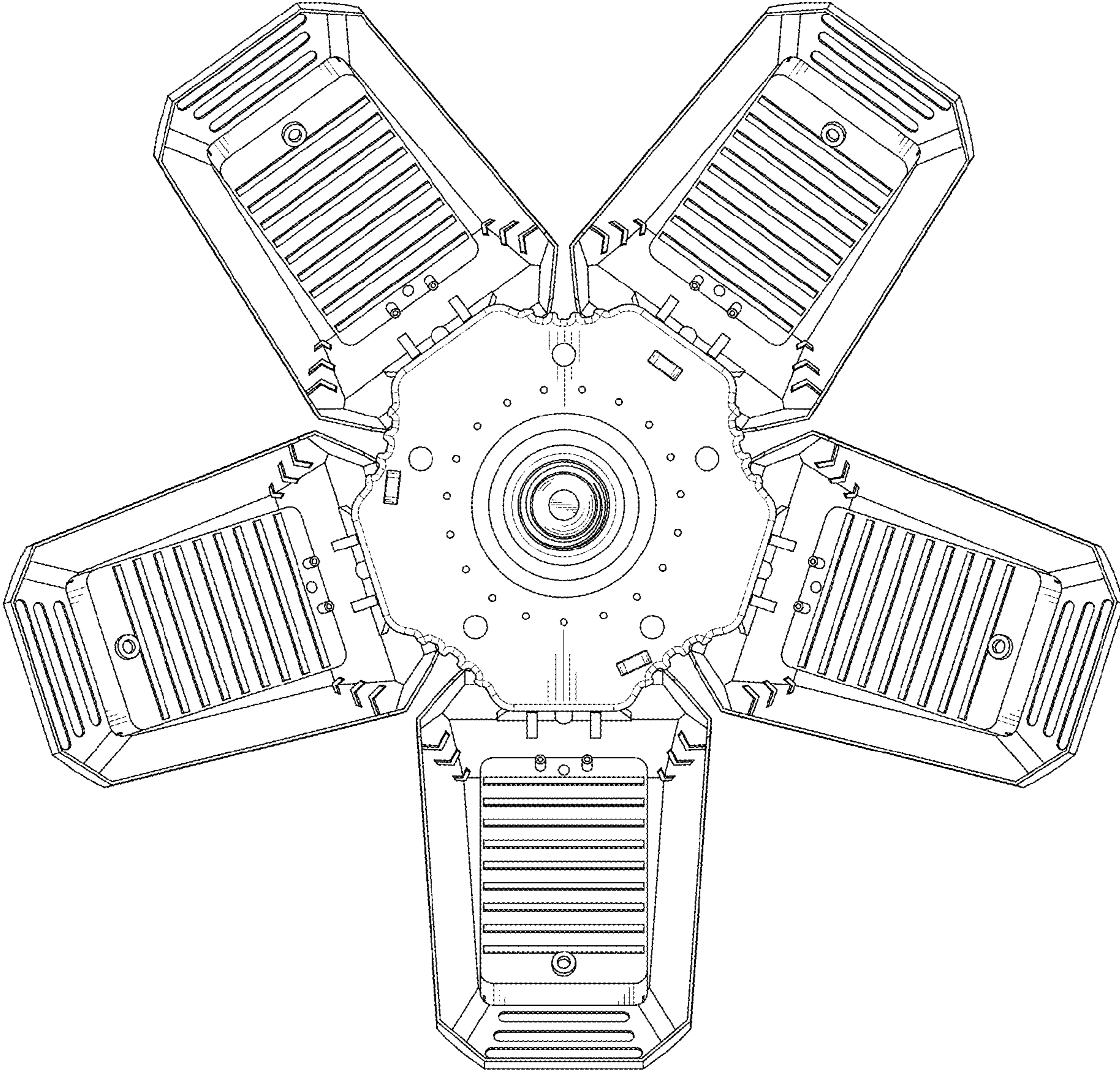


FIG. 8

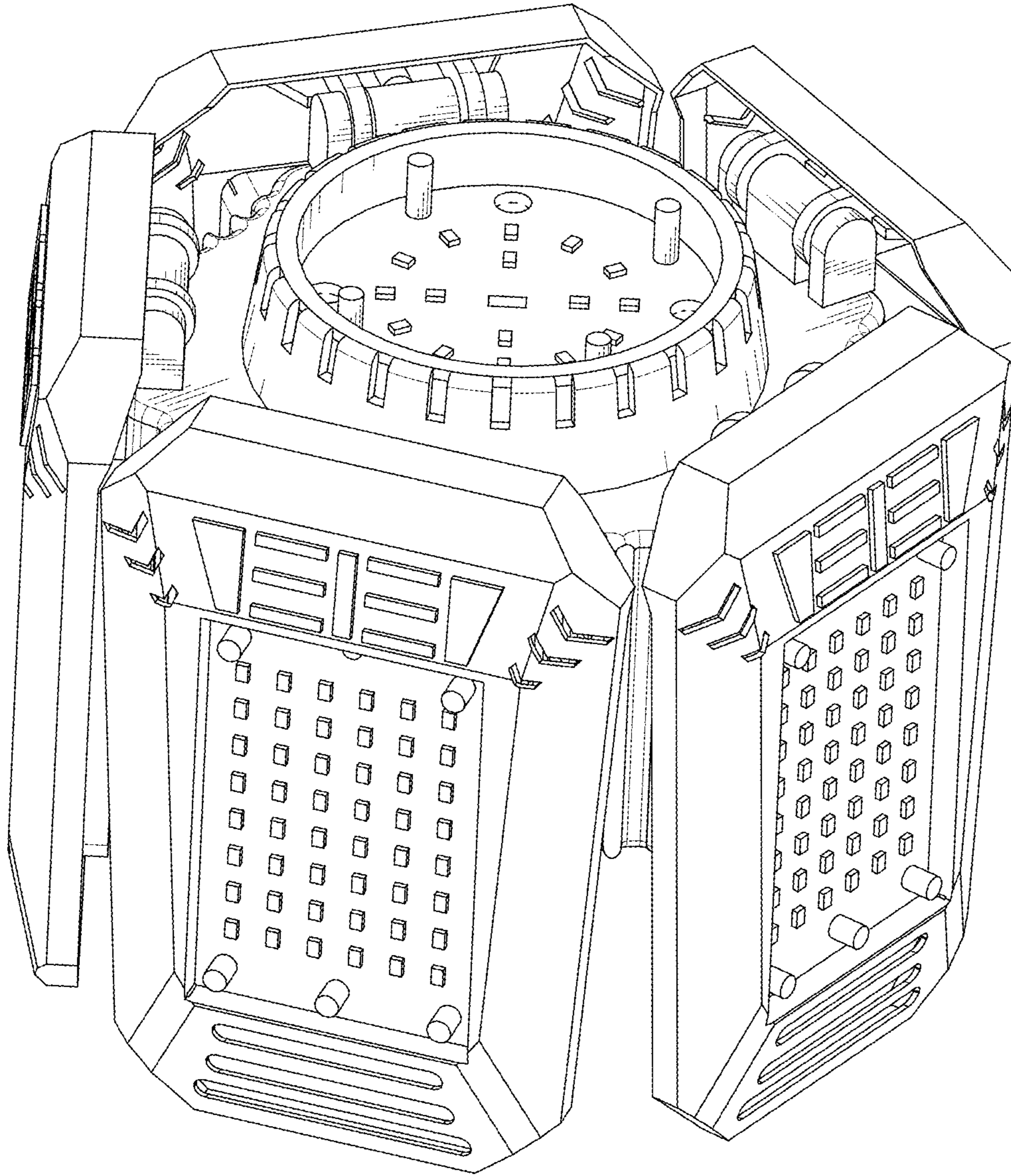


FIG. 9

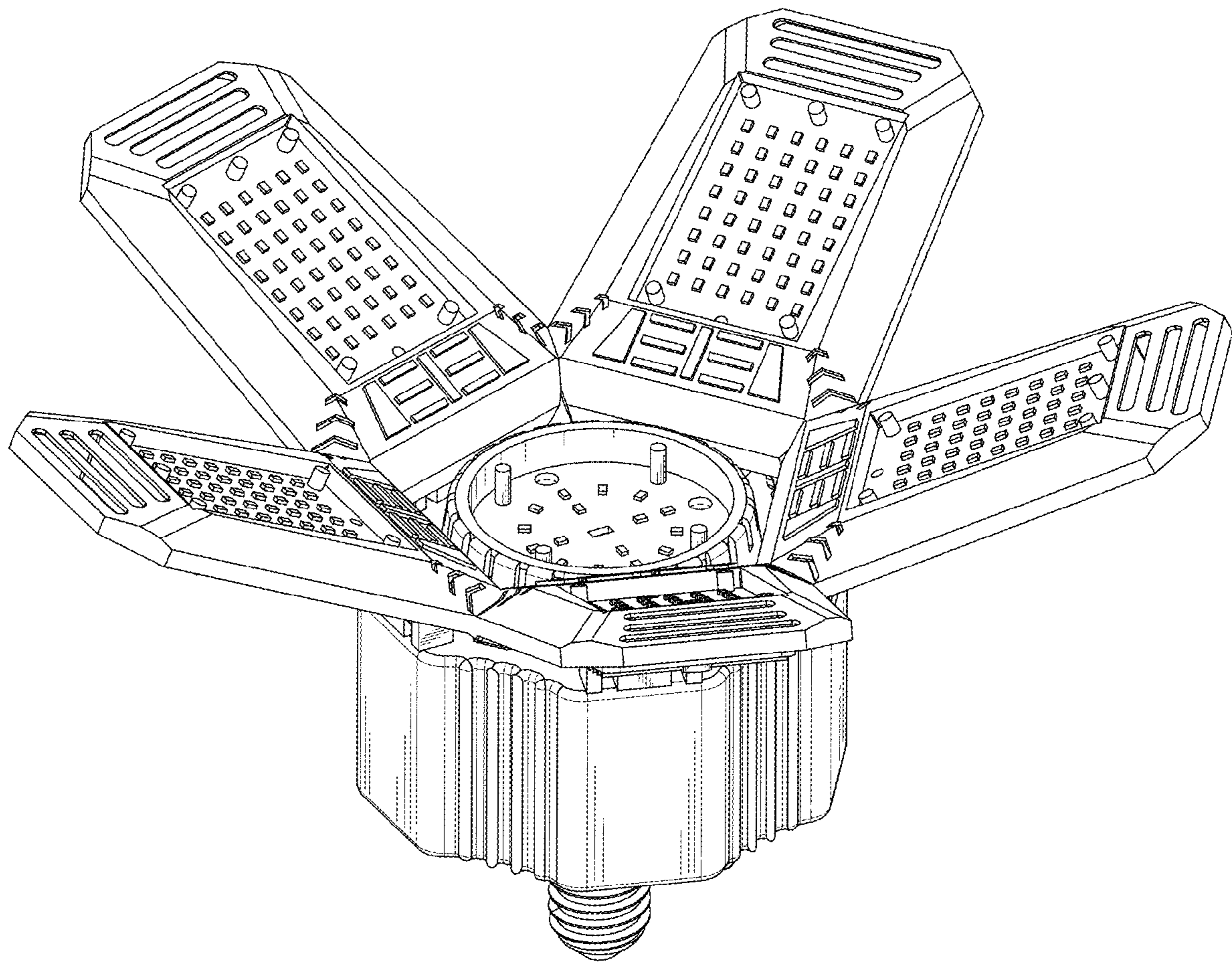


FIG. 10