



US00D946189S

(12) **United States Design Patent**  
**Zhou**

(10) **Patent No.:** **US D946,189 S**

(45) **Date of Patent:** **\*\* Mar. 15, 2022**

(54) **LAMP**

(71) Applicant: **Zhongshan Jingda Lighting Appliance Co., Ltd., Zhongshan (CN)**

(72) Inventor: **Zhenjing Zhou, Zhanjiang (CN)**

(73) Assignee: **Zhongshan Jingda Lighting Appliance Co., Ltd., Zhongshan (CN)**

(\*\*) Term: **15 Years**

(21) Appl. No.: **29/779,106**

(22) Filed: **Apr. 16, 2021**

(51) **LOC (13) Cl.** ..... **26-05**

(52) **U.S. Cl.**  
USPC ..... **D26/63**

(58) **Field of Classification Search**  
USPC ..... D26/1, 2, 3, 24, 26, 63, 65, 72  
CPC ..... F21L 2/00; F21S 2/00; F21S 8/00; F21S 8/003; F21S 8/026; F21S 8/037  
See application file for complete search history.

(56) **References Cited**

**U.S. PATENT DOCUMENTS**

|              |         |             |       |             |
|--------------|---------|-------------|-------|-------------|
| D613,443 S * | 4/2010  | Chen        | ..... | F21V 23/006 |
|              |         |             |       | D26/70      |
| D788,347 S * | 5/2017  | Evenson     | ..... | D26/88      |
| D861,926 S   | 10/2019 | Lin         |       |             |
| D870,943 S   | 12/2019 | Kuang       |       |             |
| D887,610 S   | 6/2020  | Wei         |       |             |
| D895,170 S * | 9/2020  | Zhang       | ..... | D26/2       |
| D908,250 S * | 1/2021  | Xu          | ..... | D26/2       |
| D916,347 S * | 4/2021  | Liu         | ..... | D26/63      |
| D917,089 S * | 4/2021  | Rajasekaran | ..... | F21K 9/232  |
|              |         |             |       | D26/63      |
| D918,454 S * | 5/2021  | Liu         | ..... | D26/63      |
| D919,154 S * | 5/2021  | Zhou        | ..... | D26/63      |
| D919,869 S * | 5/2021  | Yang        | ..... | D26/63      |

|                   |         |           |       |             |
|-------------------|---------|-----------|-------|-------------|
| D919,870 S *      | 5/2021  | Li        | ..... | F21K 9/232  |
|                   |         |           |       | D26/63      |
| D923,228 S *      | 6/2021  | Ye        | ..... | D26/63      |
| D925,086 S *      | 7/2021  | Ma        | ..... | D26/63      |
| 2014/0307431 A1 * | 10/2014 | Santashev | ..... | F21V 23/006 |
|                   |         |           |       | 362/235     |

**FOREIGN PATENT DOCUMENTS**

CN 202030141639.8 \* 8/2020

**OTHER PUBLICATIONS**

Amazon, "Led Garage Lights 2 Pack 101W", first available Jun. 21, 2017. (<https://www.amazon.com/dp/B087QDB8PB/>) (Year: 2017).\*

(Continued)

*Primary Examiner* — Lauren D McVey

*Assistant Examiner* — Justin A Johnson

(74) *Attorney, Agent, or Firm* — Jinggao Li

(57) **CLAIM**

The ornamental design for lamp, as shown and described.

**DESCRIPTION**

FIG. 1 is a perspective view of a lamp showing my new design;

FIG. 2 is another perspective view thereof;

FIG. 3 is a front view thereof;

FIG. 4 is a rear view thereof;

FIG. 5 is a left side view thereof;

FIG. 6 is a right side view thereof;

FIG. 7 is a bottom plan view thereof;

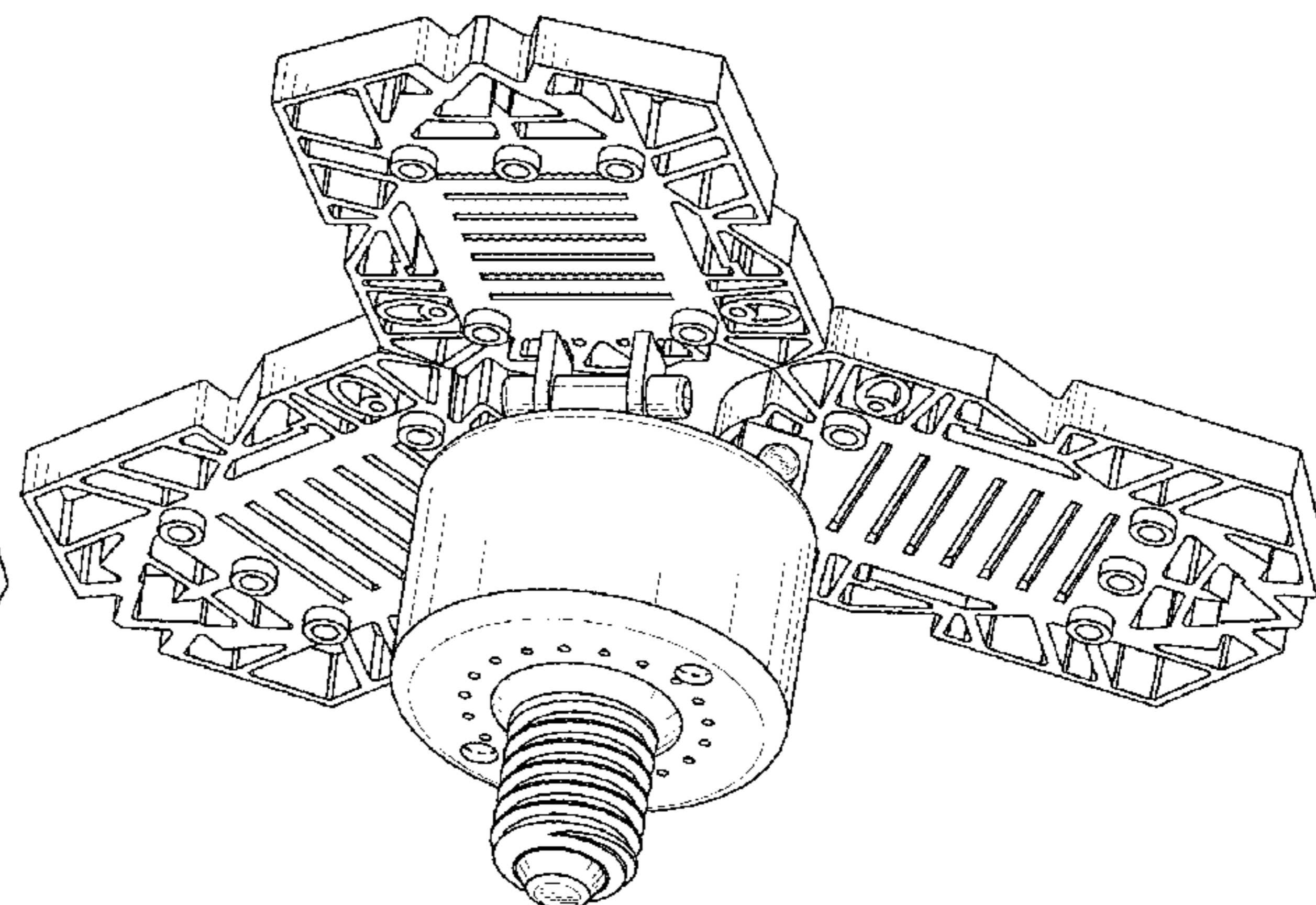
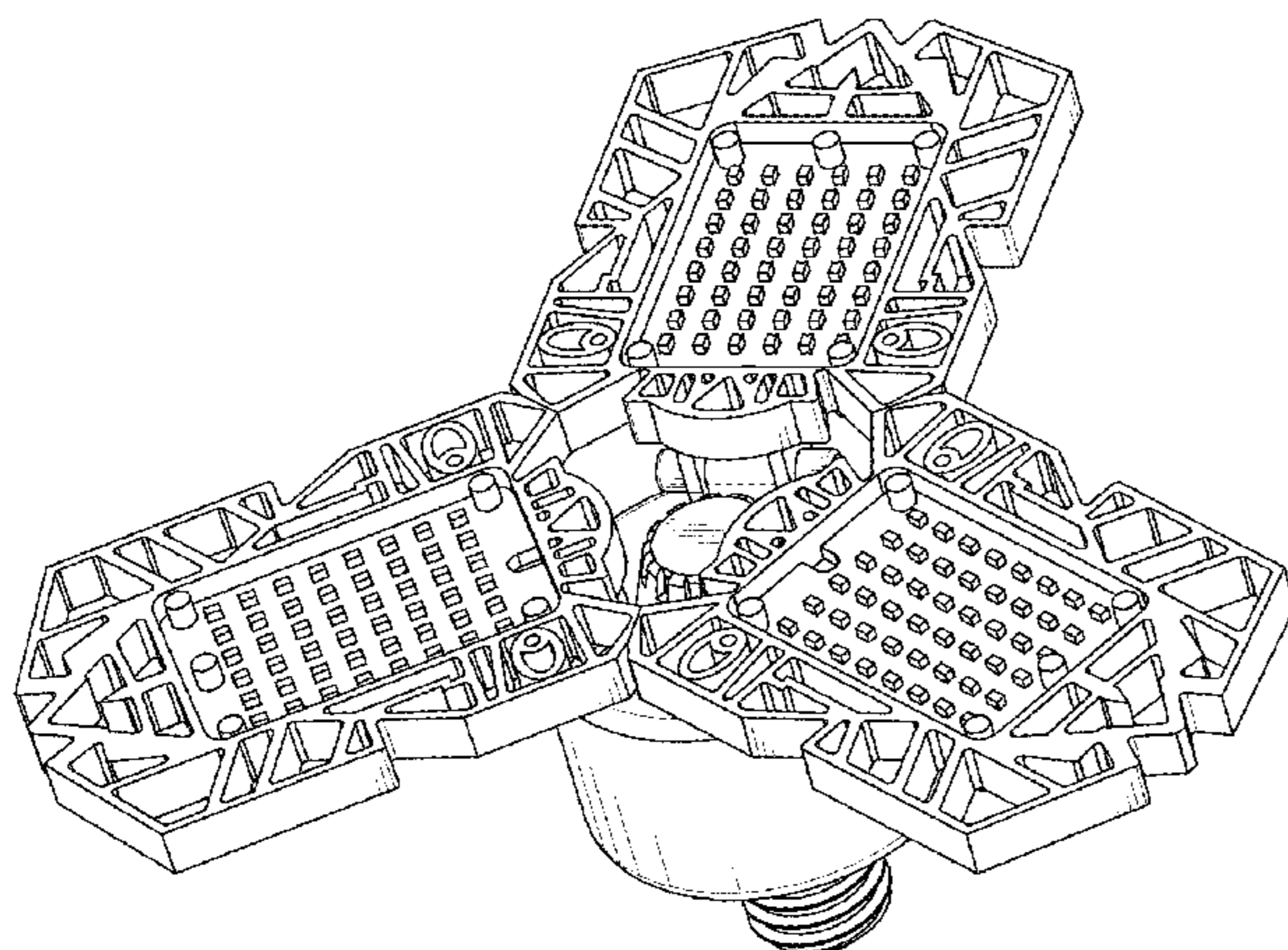
FIG. 8 is a top plan view thereof;

FIG. 9 is a perspective view thereof in a use state; and,

FIG. 10 is a perspective view thereof in another use state.

The broken lines depict portions of the lamp and form no part of the claimed design.

**1 Claim, 10 Drawing Sheets**



(56)

**References Cited**

OTHER PUBLICATIONS

Amazon, “LED Garage Lights, 6000Lumens Deformable Garage Light”, first available Nov. 21, 2019. (<https://www.amazon.com/dp/B081T9XX6H/>) (Year: 2019).\*

Amazon, “LED Garage Light—6000 Lumen 6500K Daylight”, first available Dec. 12, 2019. (<https://www.amazon.com/LED-Garage-Light-Daylight-Ceiling/dp/B082P3FC7S?source=ps-sl-shoppingads-lpcontext&psc=1>) (Year: 2019).\*

Amazon, “120W Garage Light, Four Leaf Deformable”, first available Jan. 7, 2021. (<https://www.amazon.com/dp/B07ZS6XF5S/>) (Year: 2021).\*

\* cited by examiner

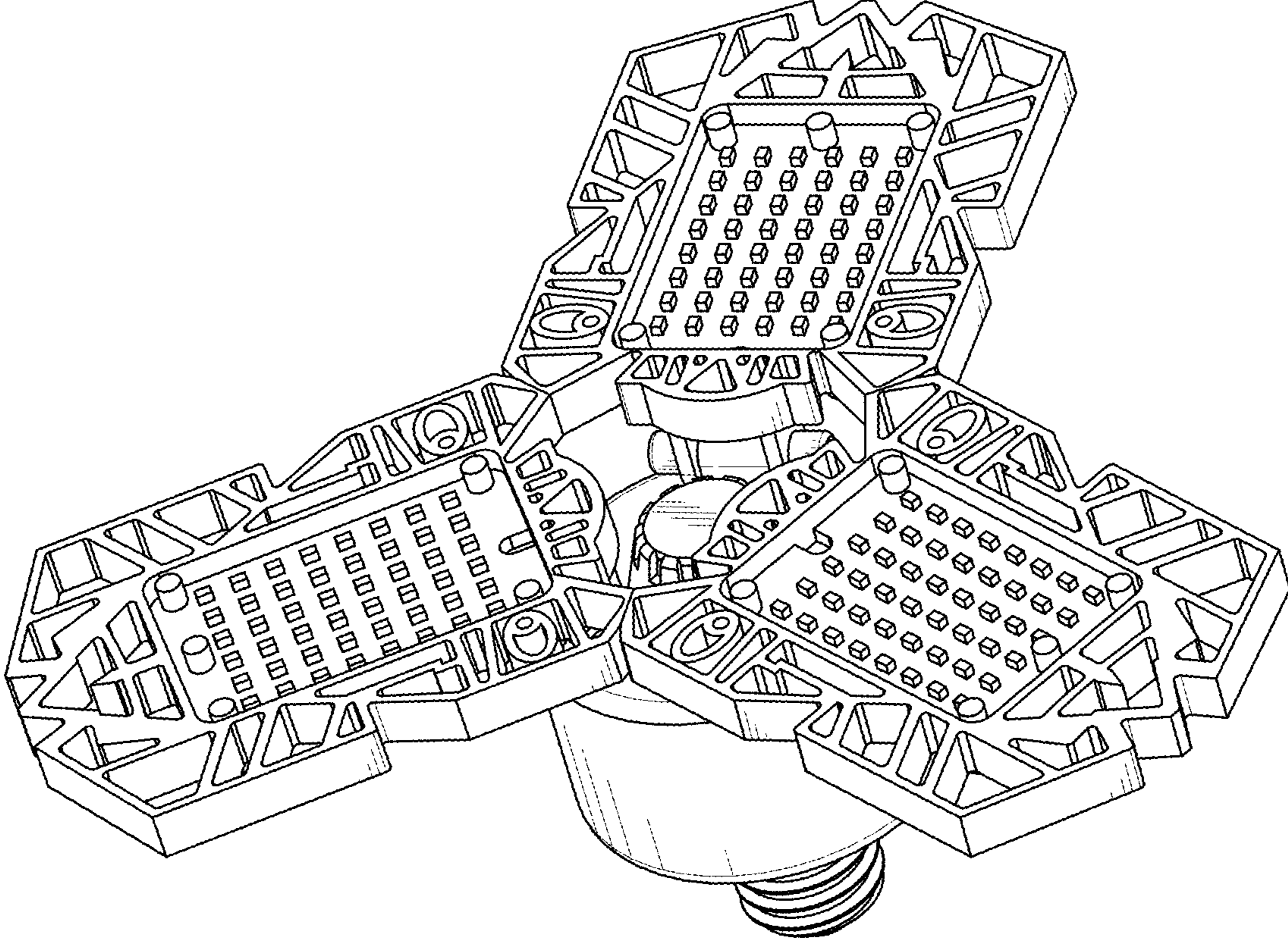


FIG. 1



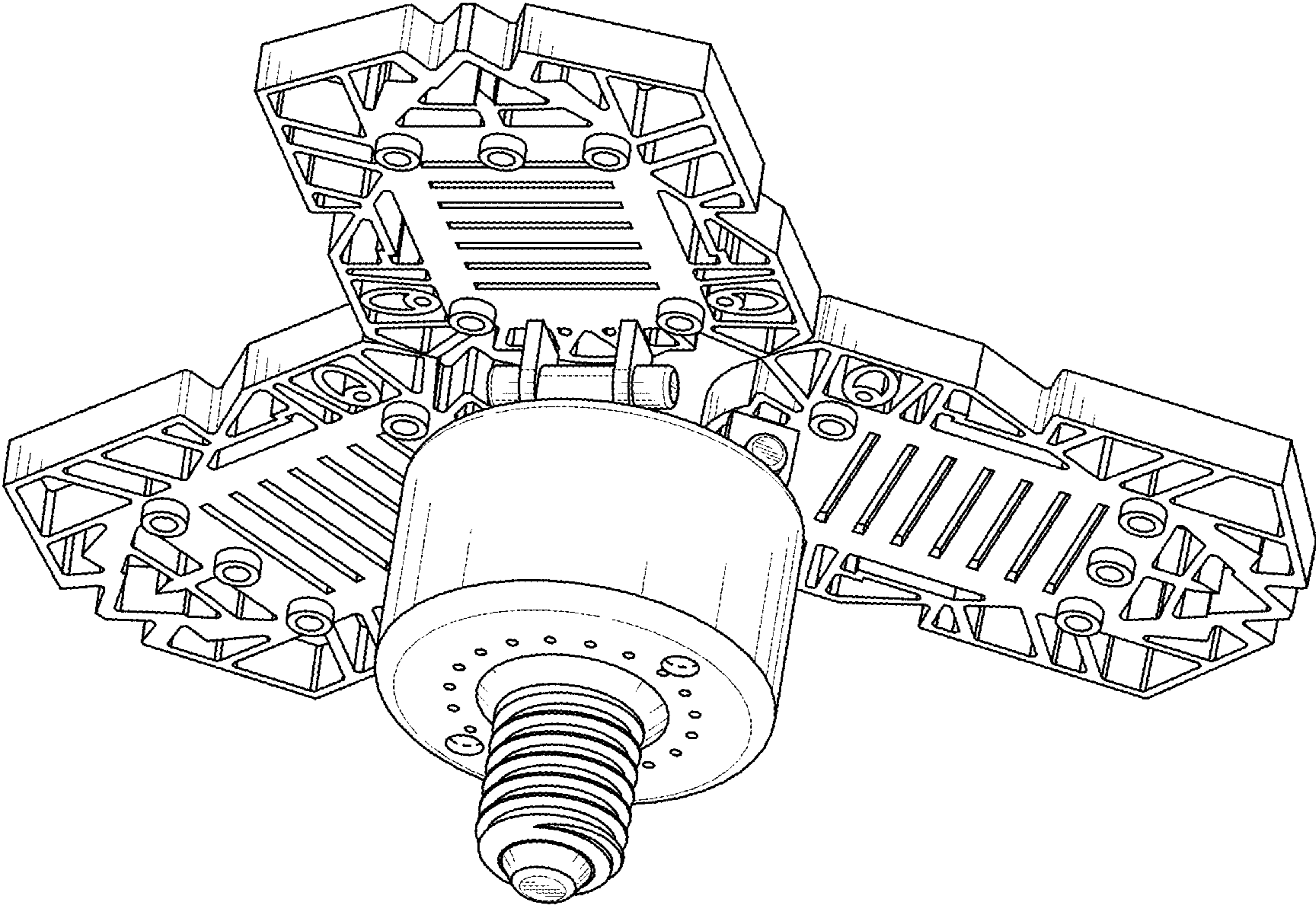


FIG. 2

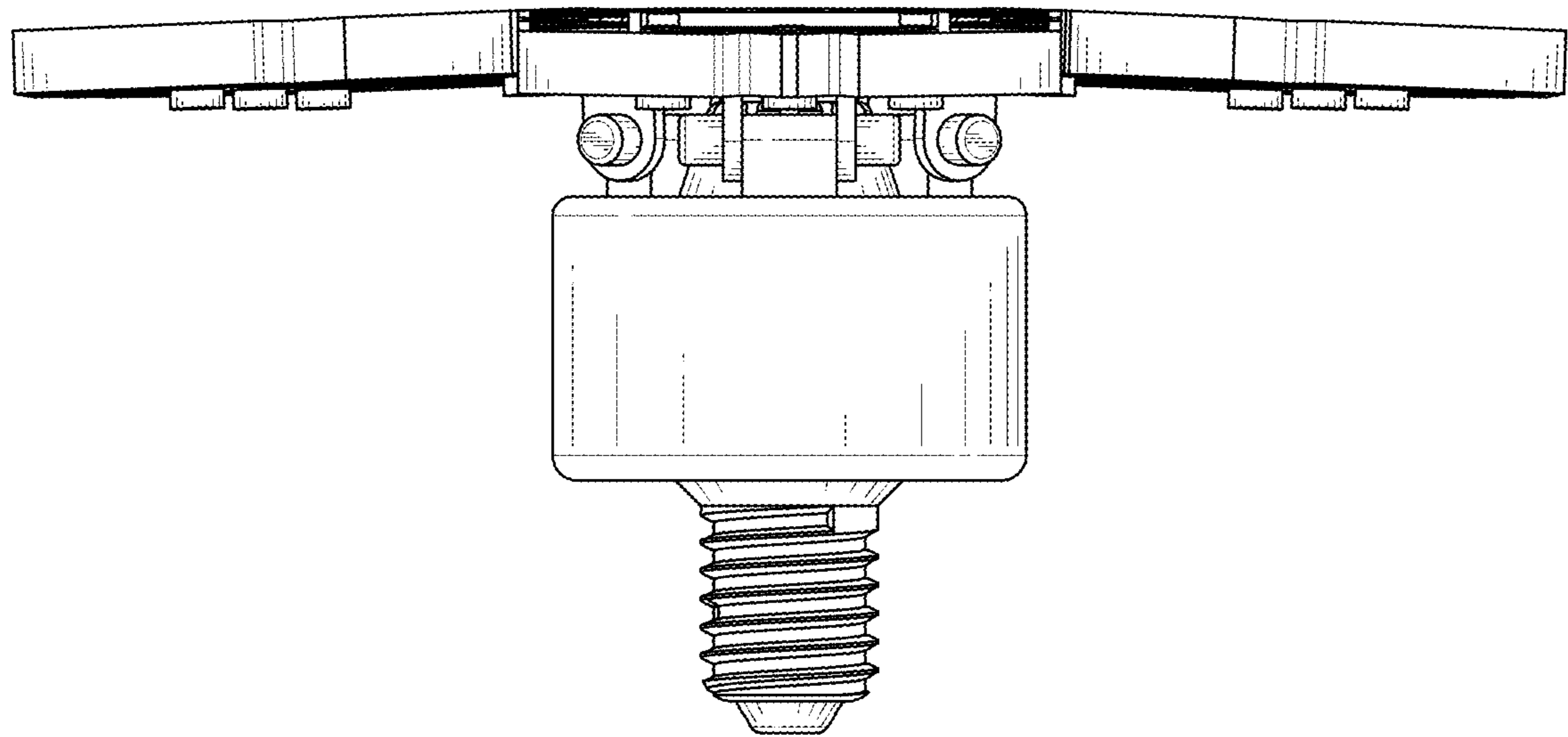


FIG. 3

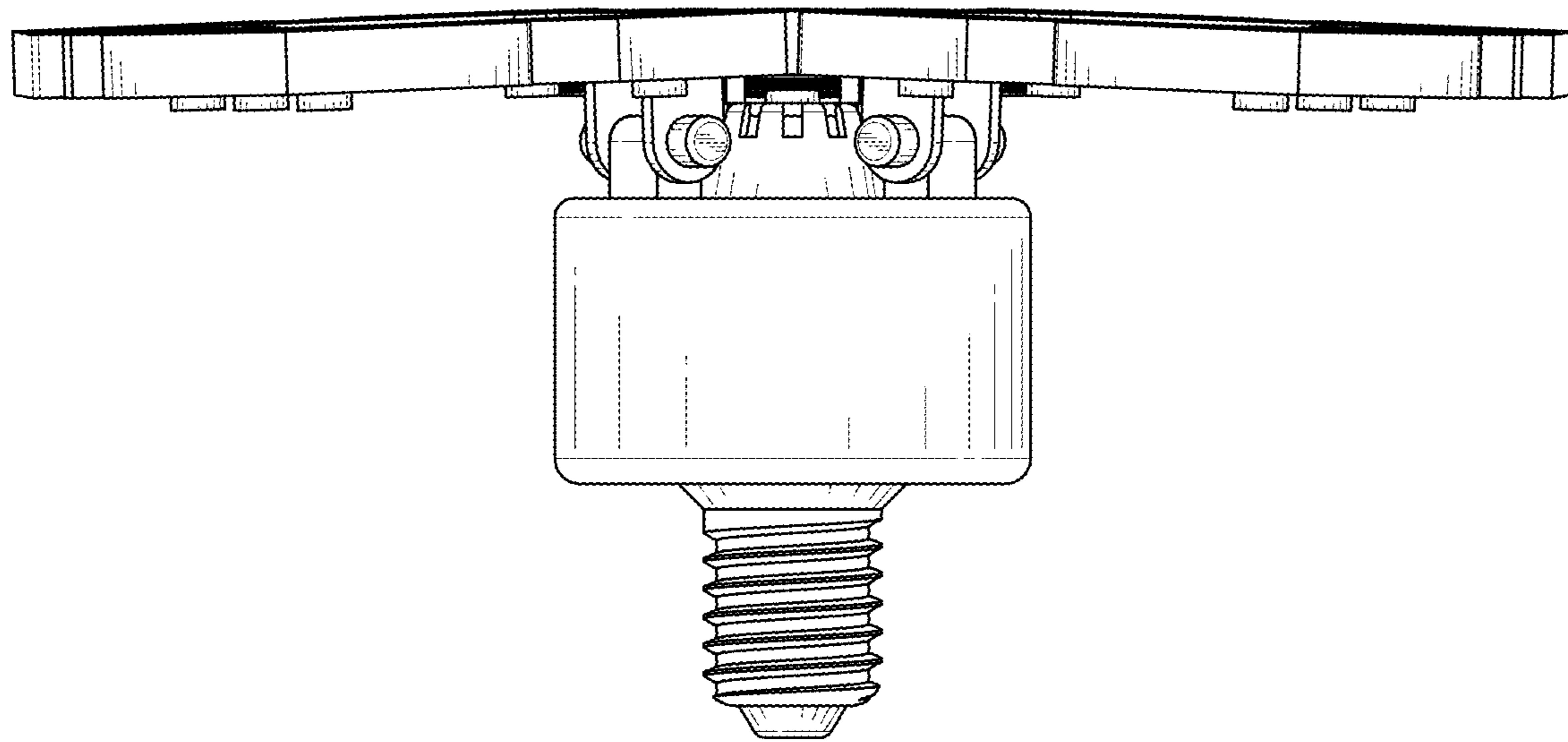


FIG. 4

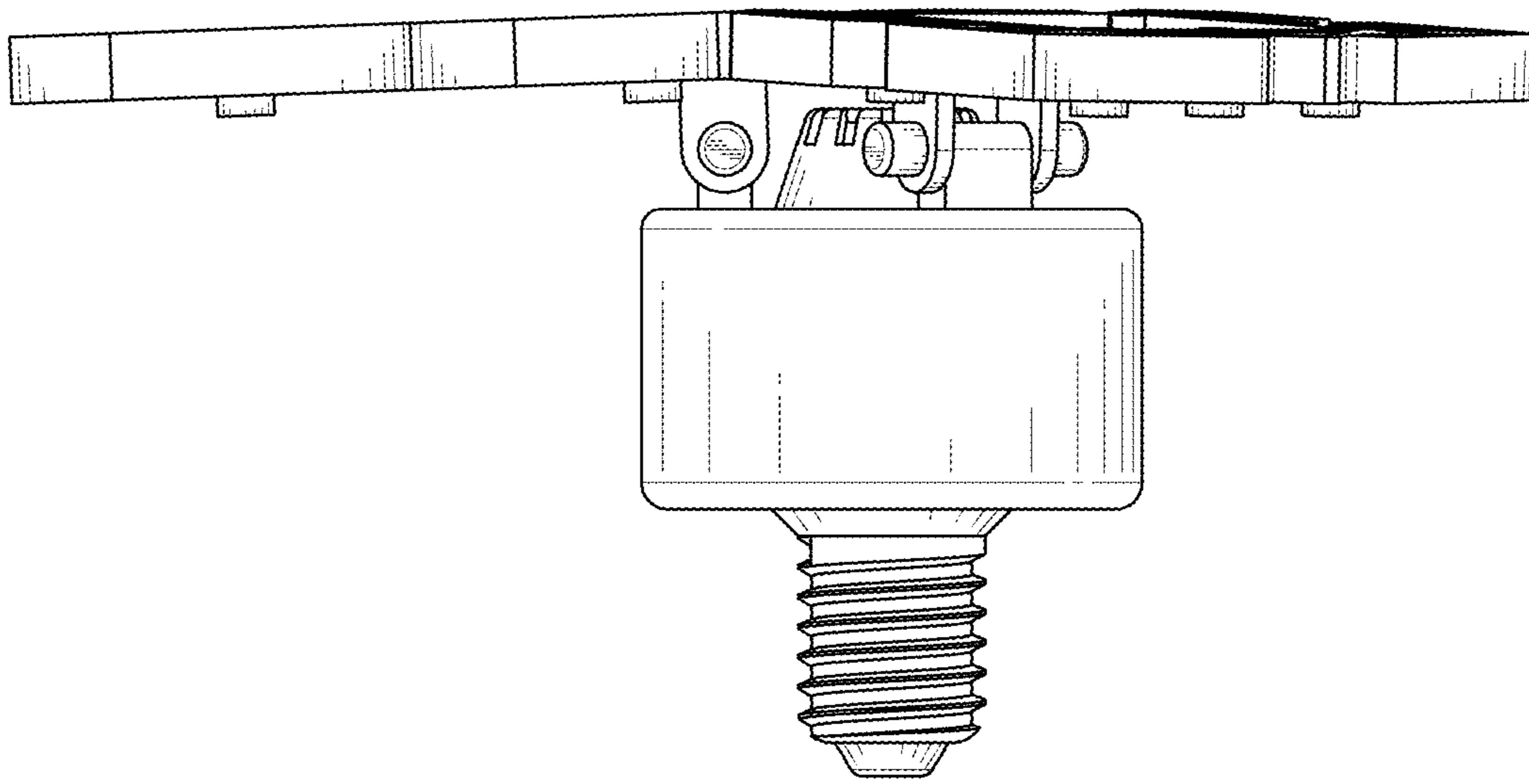


FIG. 5

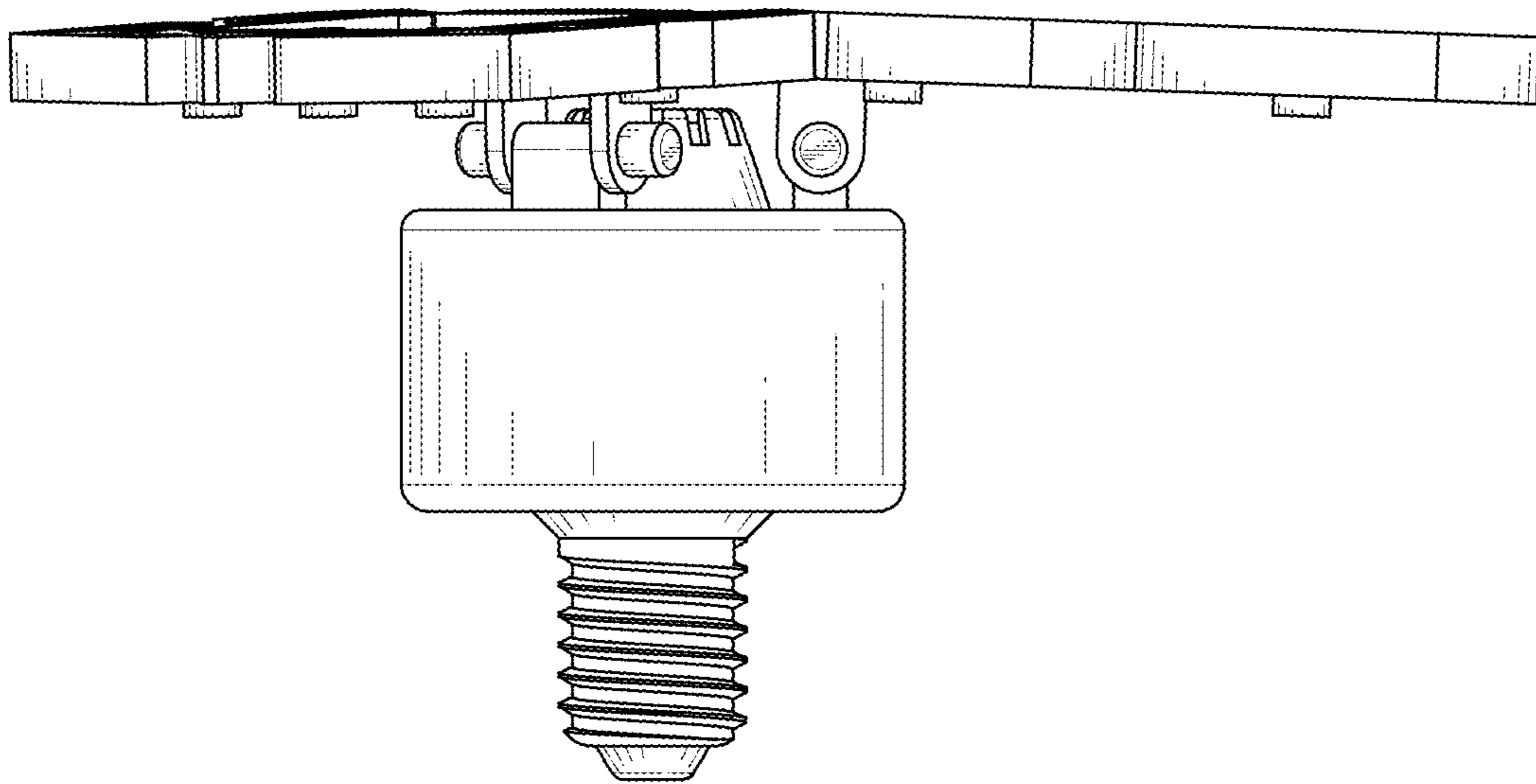


FIG. 6



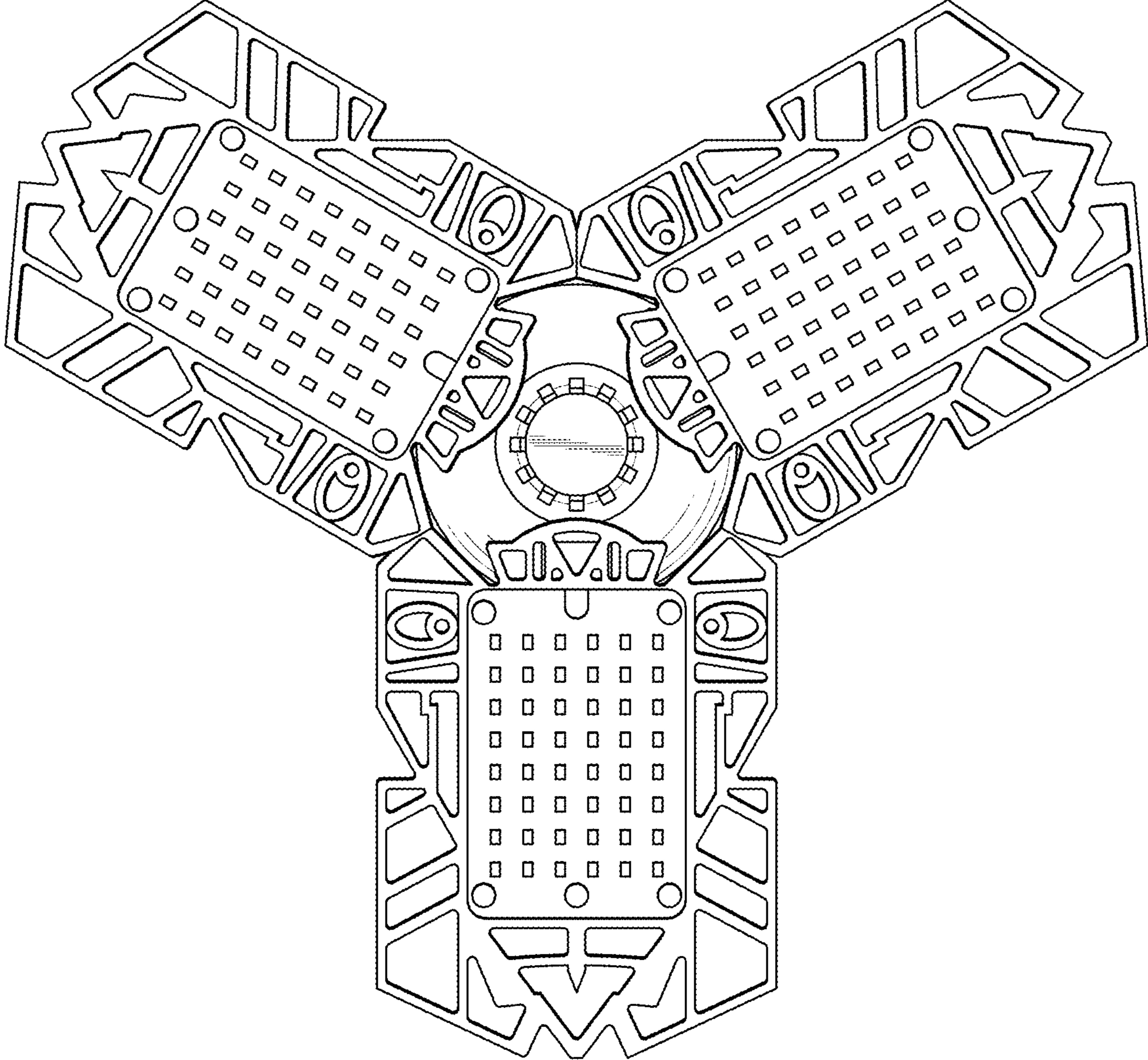


FIG. 7

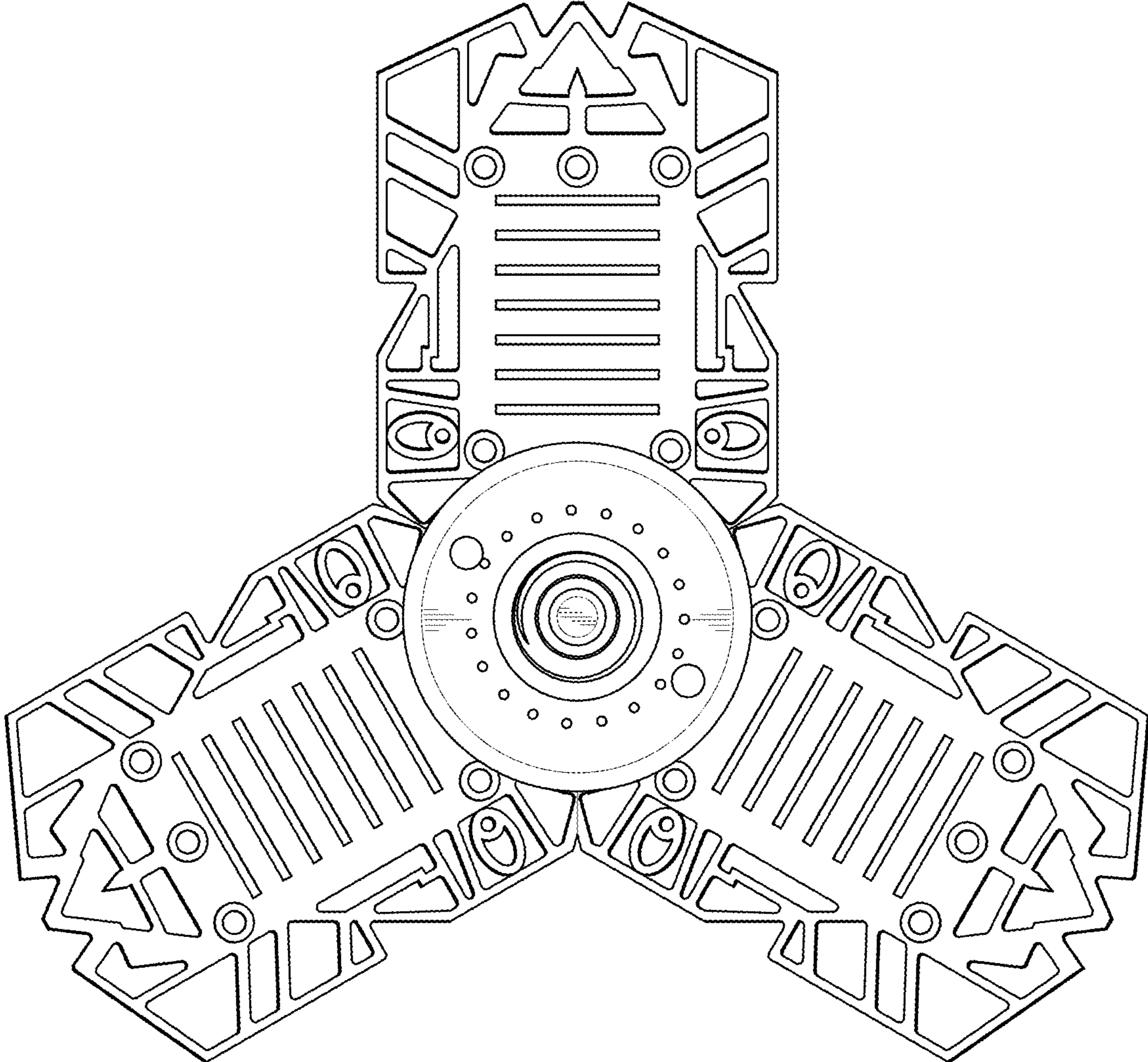


FIG. 8

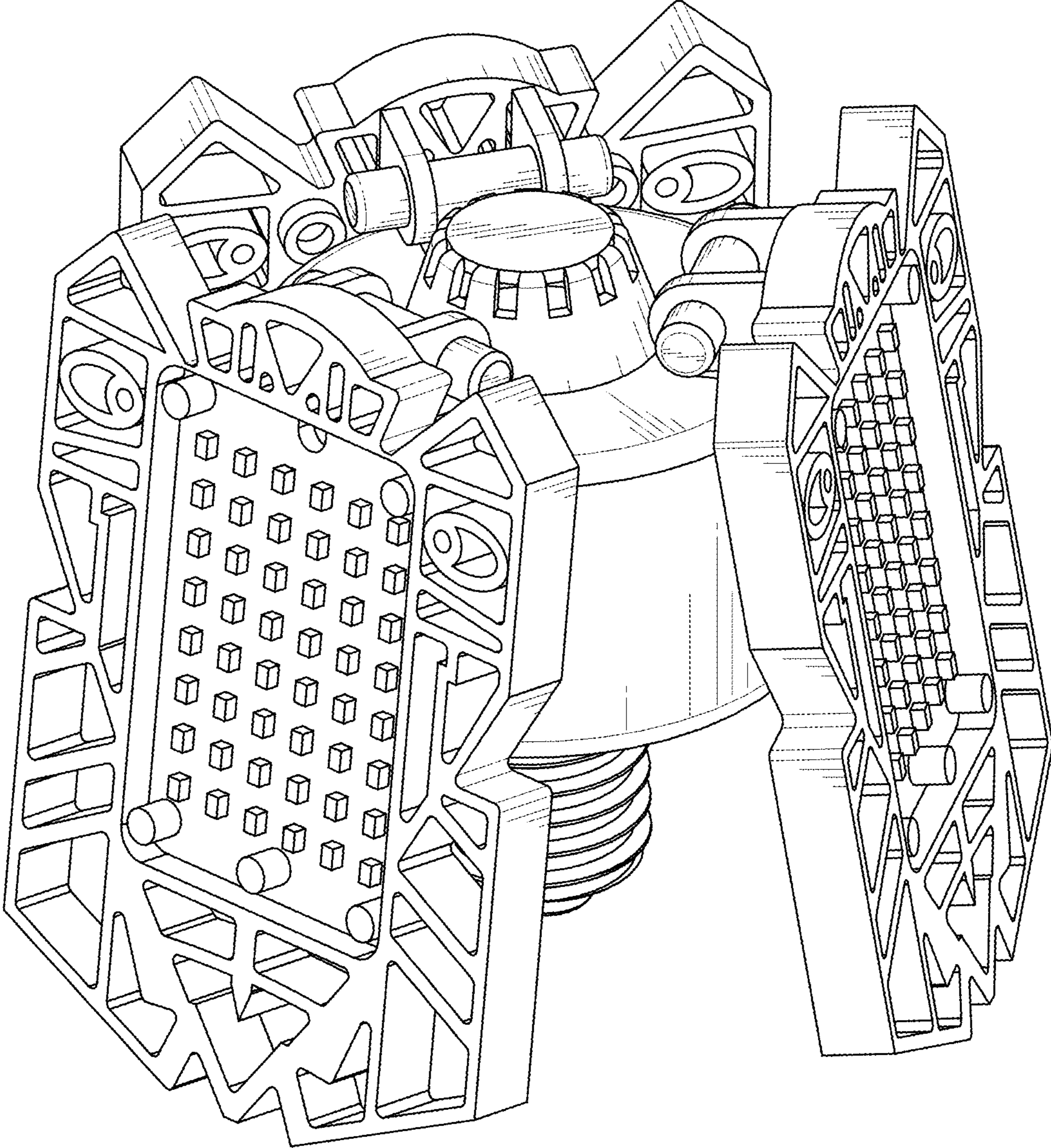


FIG. 9



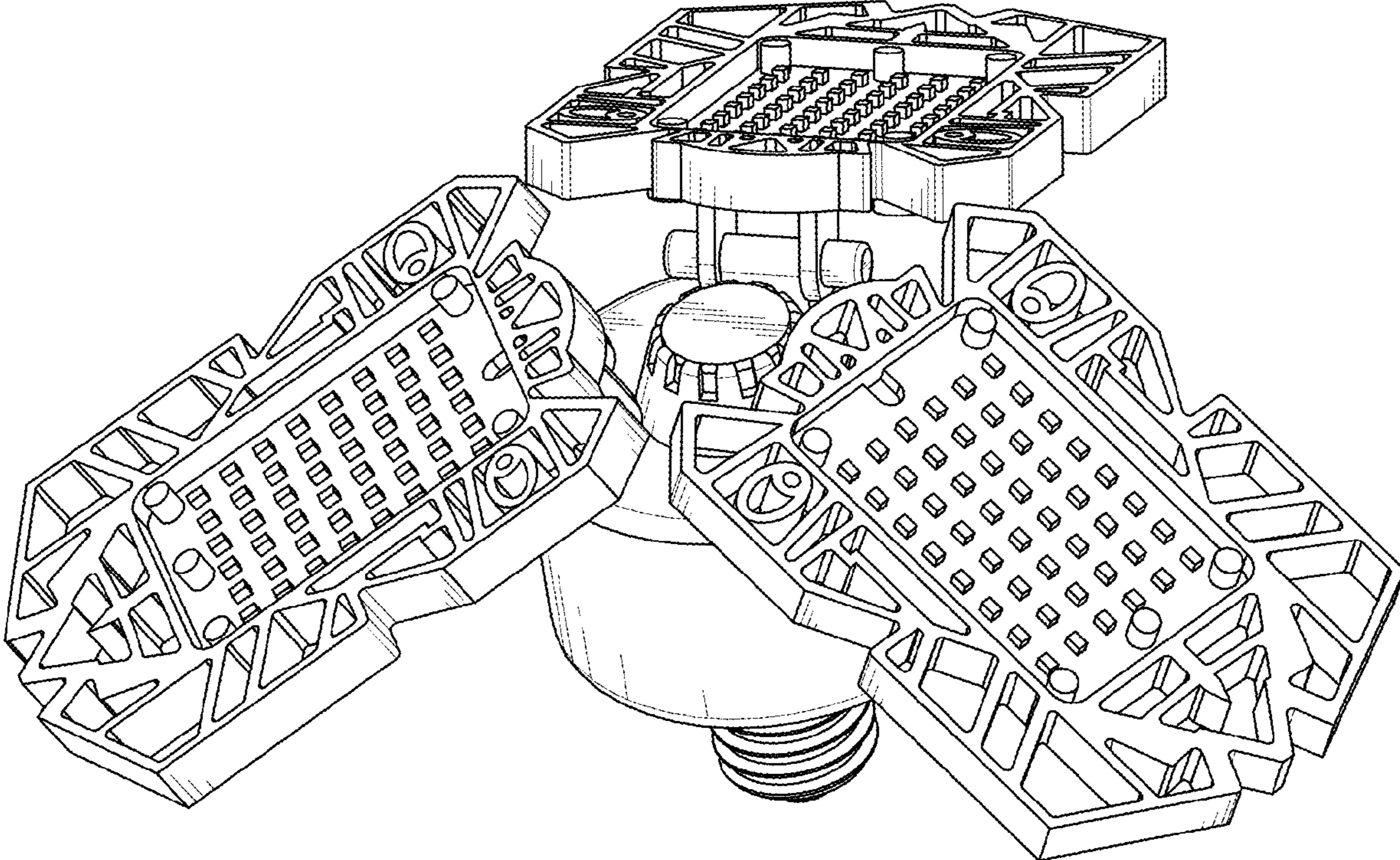


FIG. 10