



US00D946188S

(12) **United States Design Patent**
Maiwald et al.

(10) **Patent No.:** **US D946,188 S**
(45) **Date of Patent:** **** Mar. 15, 2022**

(54) **FLOODLIGHT**
(71) Applicant: **Dropcases, Ltd.**, Kowloon (HK)
(72) Inventors: **Christopher Eckhard Maiwald**,
Kowloon (HK); **Terence Chan**, Hong
Kong (HK)

6,781,129 B2 8/2004 Leen
D525,737 S 7/2006 Roos et al.
D564,120 S 3/2008 Layne et al.
D580,083 S * 11/2008 Sanoner D26/63
D628,329 S * 11/2010 Tuli D26/63
7,934,854 B2 5/2011 Anglikowski
D657,083 S 4/2012 Kline

(Continued)

(73) Assignee: **Dropcases Ltd.**, Kowloon (HK)

FOREIGN PATENT DOCUMENTS

(**) Term: **15 Years**

CA 46985 S 6/1980
CA 80555 S 4/1997

(21) Appl. No.: **29/752,028**

(Continued)

(22) Filed: **Sep. 24, 2020**

(51) **LOC (13) Cl.** **26-03**

(52) **U.S. Cl.**
USPC **D26/63**

(58) **Field of Classification Search**
USPC D26/24, 51, 61, 63, 65, 72, 80
CPC F21S 8/04; F21S 8/00; F21V 21/00; F21V
17/02; F21V 14/02; F21V 21/30; F21V
21/14; F21V 21/26; F21W 2131/10
See application file for complete search history.

OTHER PUBLICATIONS

Wasserstein 3-in-1 Floodlight Amazon <https://www.amazon.com/Wasserstein-Floodlight-Charger-Mount-Compatible/dp/B08F9W291S?tag=georiot-us-default-20&ascsubtag=ac-us-9377399024837032000-UUacUdUnU65831YYh-20&geniuslink=true&th=1> First Available Aug. 5, 2020 (Year: 2020).*

Primary Examiner — Leanne Was-Englehart
(74) *Attorney, Agent, or Firm* — Boag Law, PLLC

(56) **References Cited**

U.S. PATENT DOCUMENTS

D200,590 S 3/1965 Steenhoven
D264,253 S * 5/1982 Goldschmidt D26/63
4,535,391 A 8/1985 Hsiao
D301,634 S 6/1989 DeCandia
D319,706 S 9/1991 Jones
D323,903 S 2/1992 Tonyan et al.
D338,845 S 8/1993 Rohrs
D369,225 S 4/1996 Sandell
5,649,761 A 7/1997 Sandell et al.
5,662,411 A 9/1997 Haslam et al.
5,941,630 A 8/1999 Finke
6,030,095 A 2/2000 Moore et al.
D424,727 S 5/2000 Greubel
D439,999 S 4/2001 Stekelenburg
6,309,090 B1 10/2001 Tukin
D473,000 S 4/2003 Hoernig
D473,001 S 4/2003 Hoernig

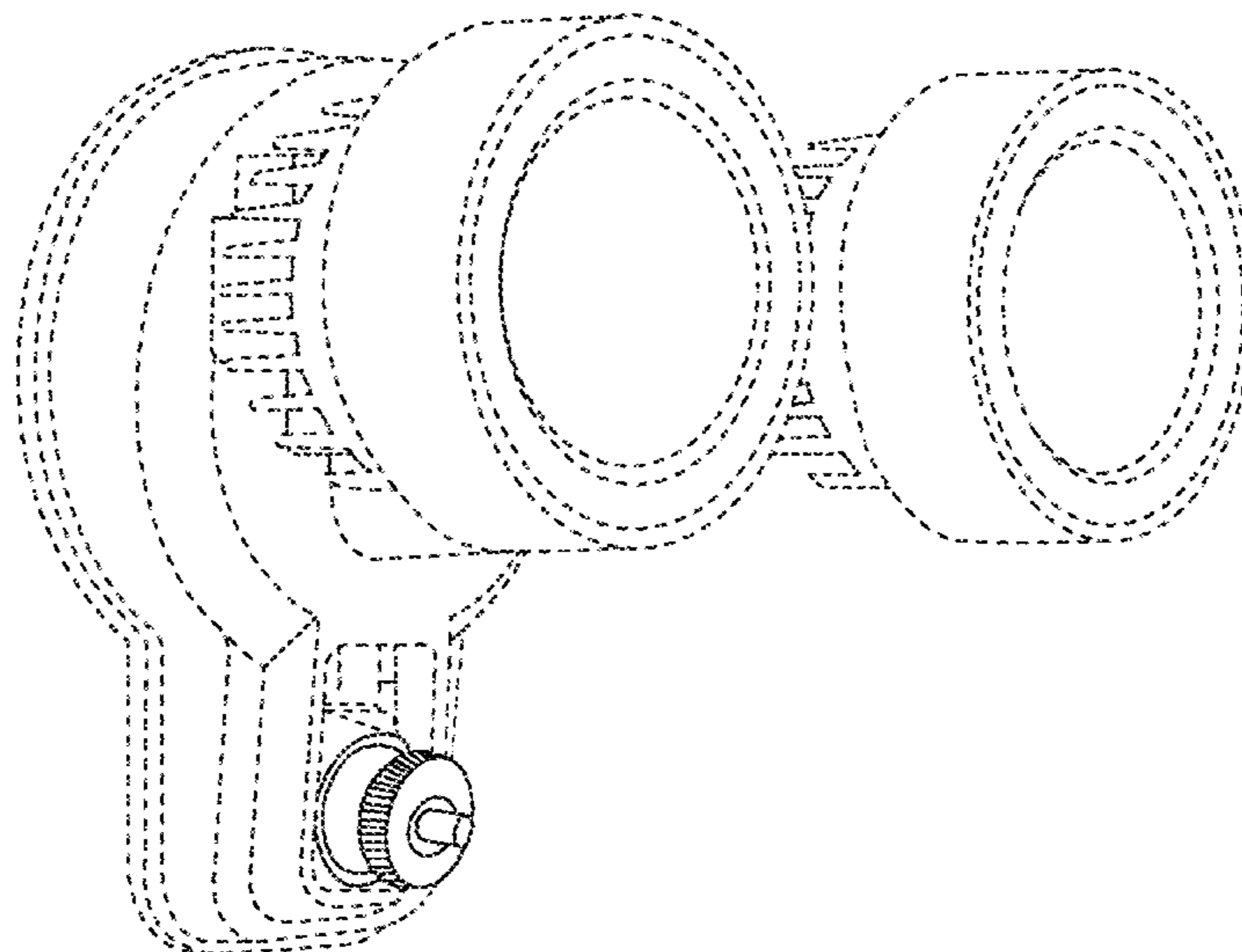
(57) **CLAIM**

The ornamental design for a floodlight, as shown and described.

DESCRIPTION

FIG. 1 is a perspective view of a floodlight showing my new design;
FIG. 2 is a front elevation view thereof;
FIG. 3 is a back elevation view thereof;
FIG. 4 is a bottom planar view thereof;
FIG. 5 is a top planar view thereof;
FIG. 6 is a right side view thereof; and,
FIG. 7 is a left side view thereof.
The broken lines depict environment that forms no part of the claimed design.

1 Claim, 7 Drawing Sheets



(56)

References Cited

U.S. PATENT DOCUMENTS

D705,477 S 5/2014 Chen
D713,578 S 9/2014 Chen
D713,579 S 9/2014 Chen
D713,580 S 9/2014 Chen
D713,581 S 9/2014 Chen
D713,582 S 9/2014 Liang
D742,053 S 10/2015 Sus-Sman
D745,201 S 12/2015 Lee
D782,094 S 3/2017 Fletcher et al.
D826,445 S 8/2018 Cao et al.
10,107,480 B1 10/2018 Ladewig et al.
10,451,255 B1 * 10/2019 Dai F21V 23/0471
D866,035 S 11/2019 Tan
D869,038 S 12/2019 Recker et al.
D869,720 S 12/2019 Recker et al.
D875,984 S 2/2020 Xiao
D878,656 S 3/2020 Recker et al.
D889,720 S * 7/2020 Zhu D26/63
D892,379 S * 8/2020 Recker D26/63
D892,380 S 8/2020 Yan
2006/0146550 A1 7/2006 Simpson

FOREIGN PATENT DOCUMENTS

CA 93247 S 8/2001
CA 122000 S 5/2008

* cited by examiner

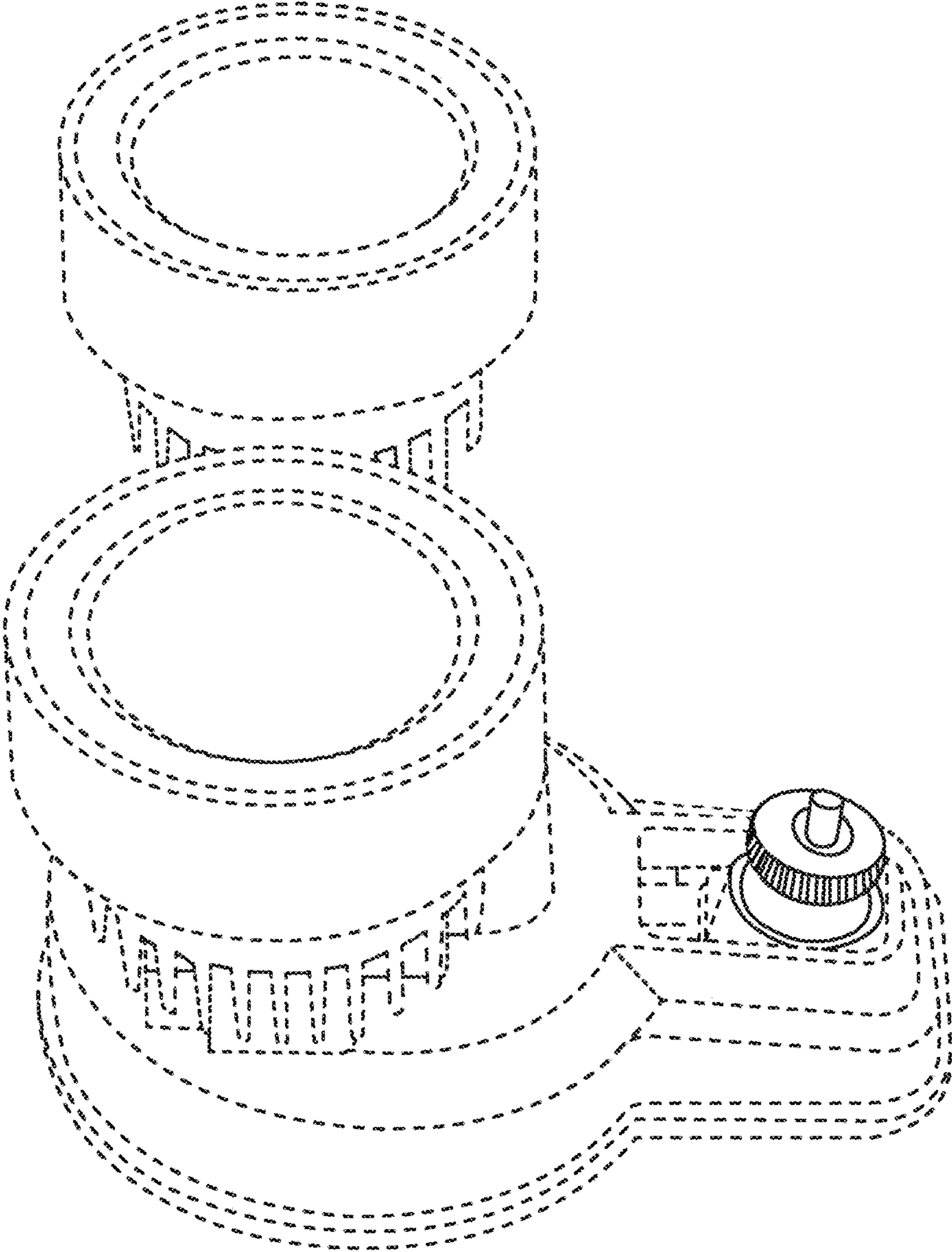


FIG. 1

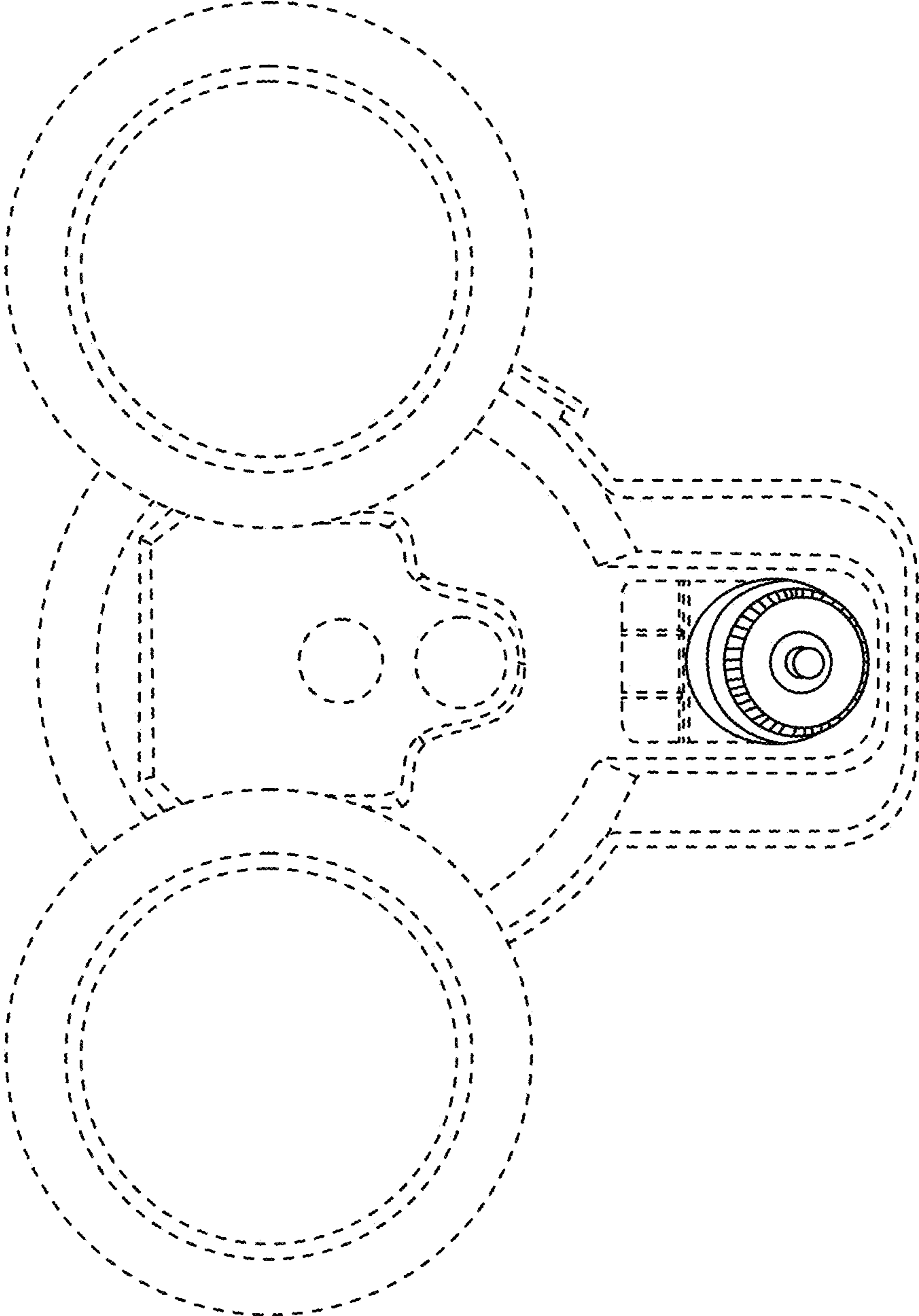


FIG. 2

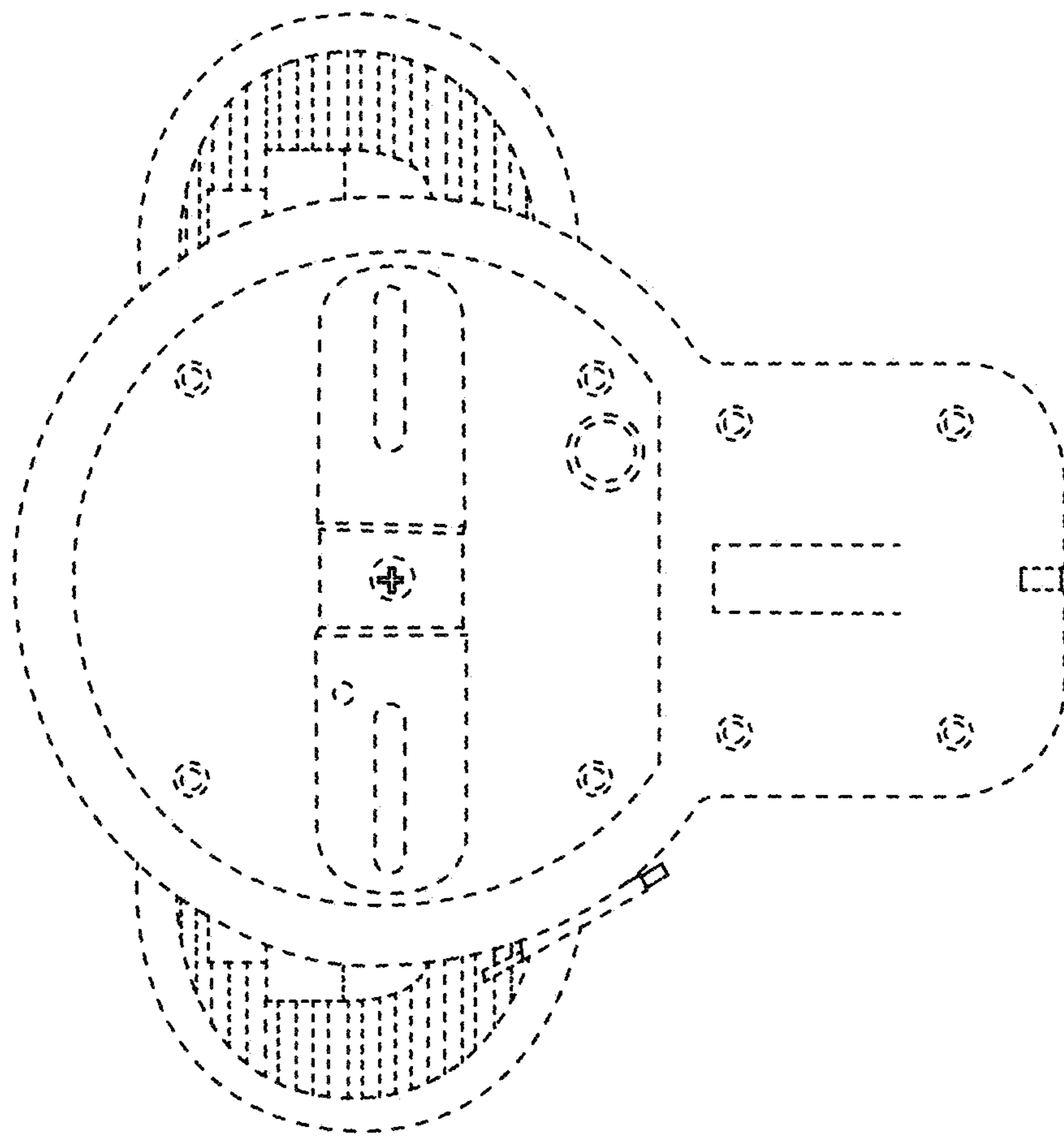


FIG. 3

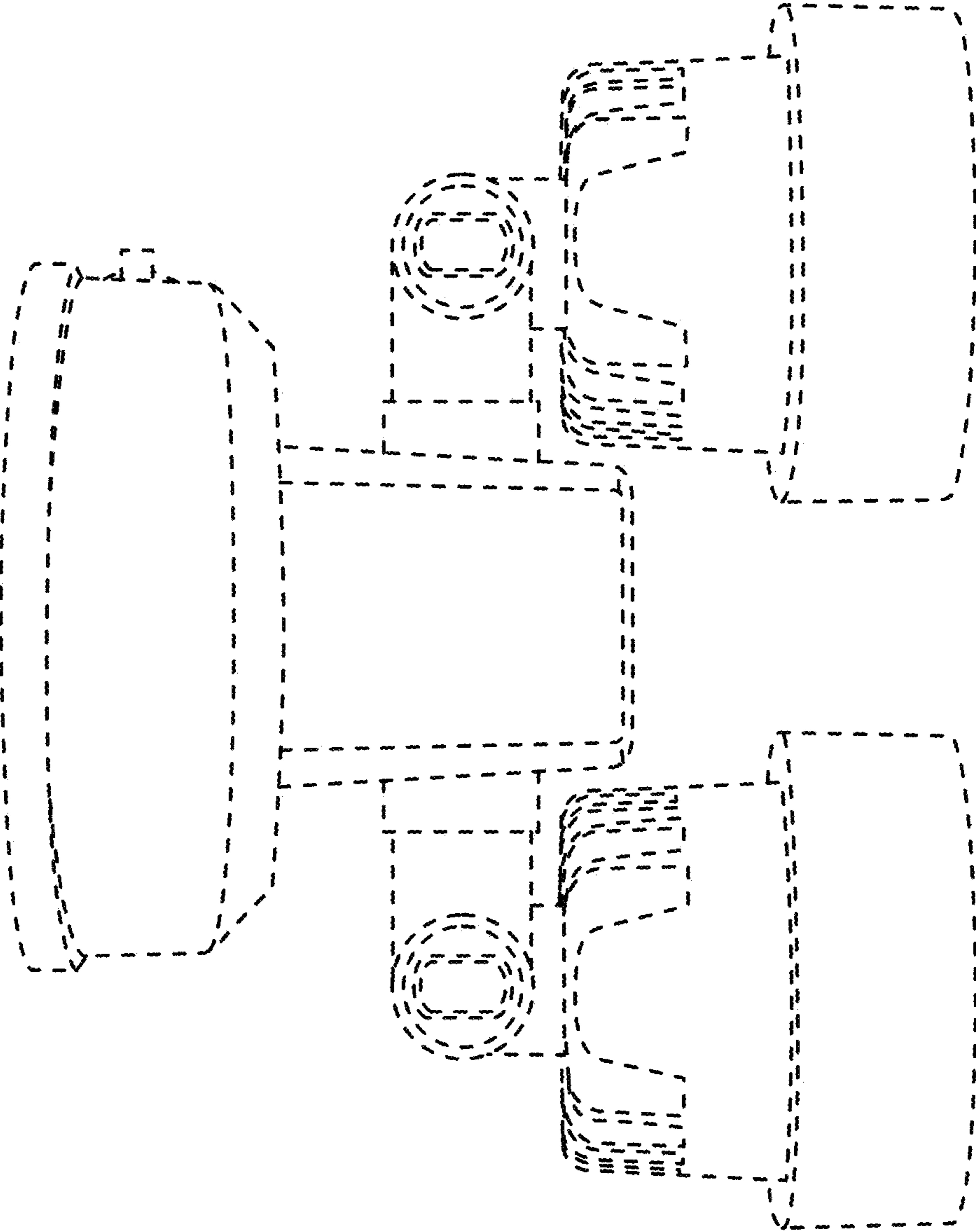


FIG. 5

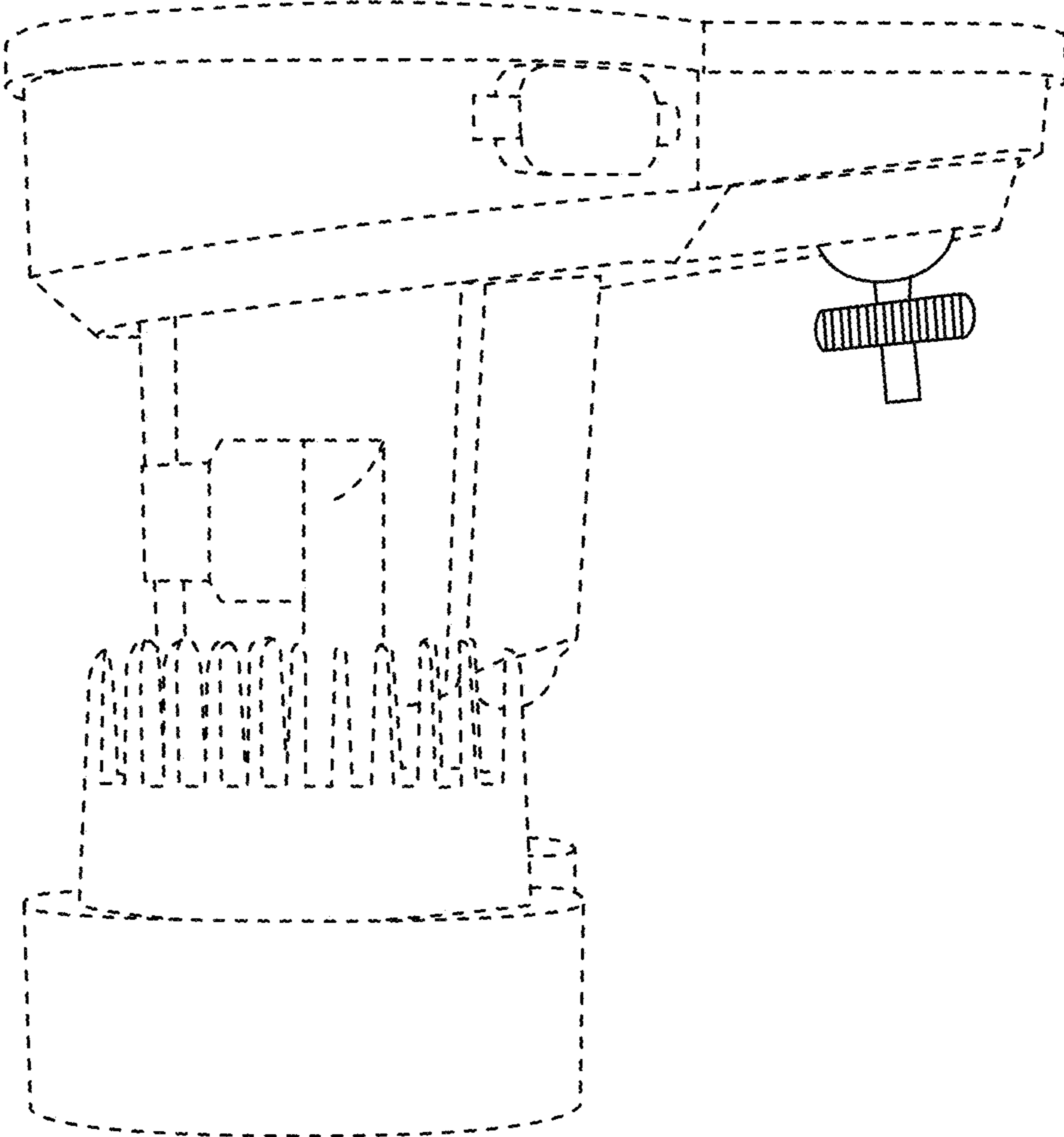


FIG. 6

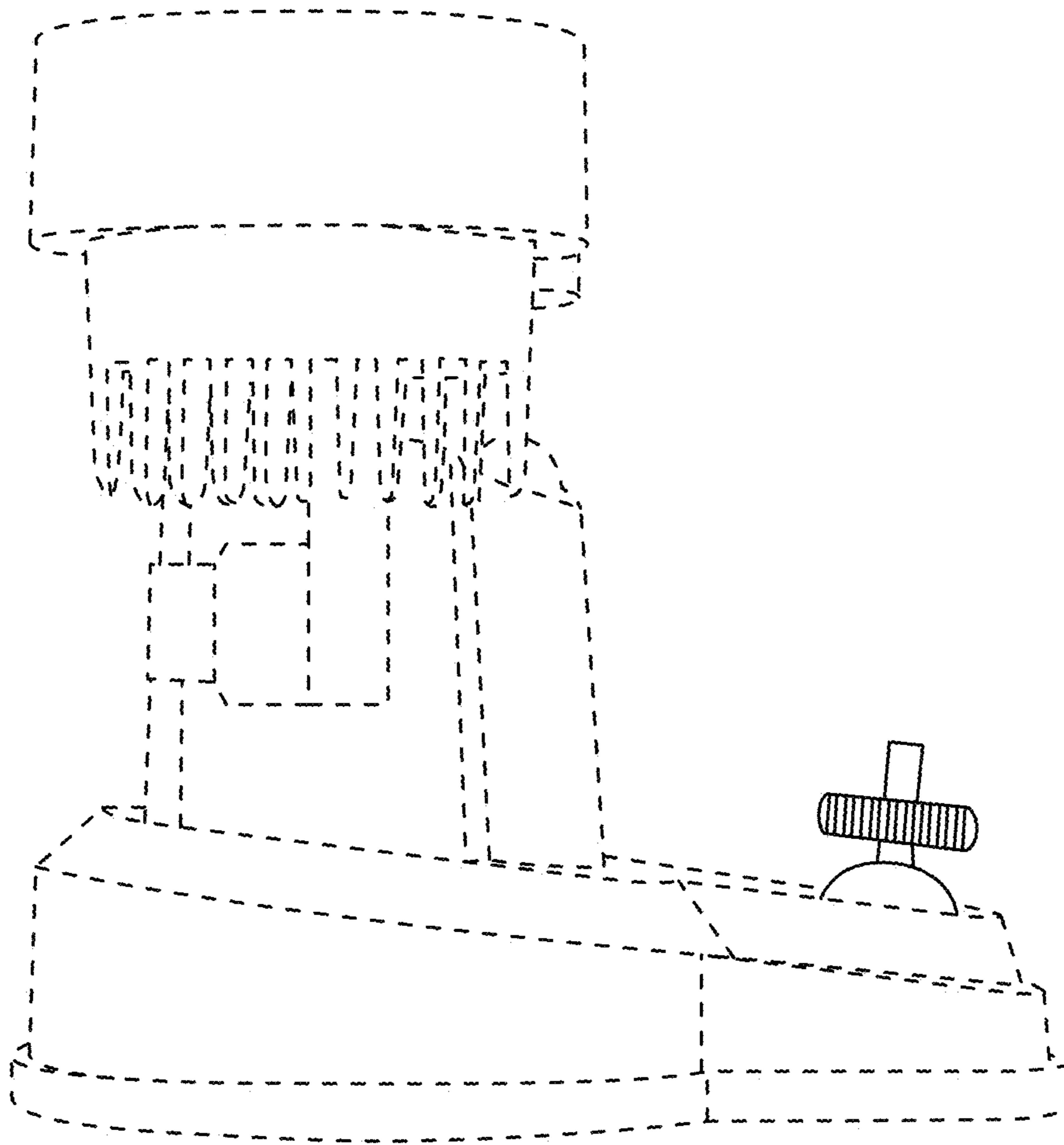


FIG. 7