

US00D946187S

(12) **United States Design Patent** (10) **Patent No.:** **US D946,187 S**  
**Salihovic et al.** (45) **Date of Patent:** **\*\* Mar. 15, 2022**

(54) **SECURITY LIGHT**  
(71) Applicant: **HeathCo LLC**, Bowling Green, KY (US)  
(72) Inventors: **Amer Salihovic**, Bowling Green, KY (US); **Leeman Elliot Stevens**, Bowling Green, KY (US); **Apollo Paul Paredes**, Livonia, MI (US)  
(73) Assignee: **HEATHCO LLC**, Bowling Green, KY (US)

D735,927 S 8/2015 Lee  
D744,570 S 12/2015 Criscuolo et al.  
D761,474 S 7/2016 Chen  
D764,700 S 8/2016 Chen  
D765,901 S 9/2016 Chen  
D788,967 S 6/2017 Chen  
D802,044 S 11/2017 Wu et al.  
D803,452 S 11/2017 Fang  
D803,921 S 11/2017 Ballard  
D804,075 S 11/2017 Fang  
D805,672 S 12/2017 Dai  
D847,404 S 4/2019 Paredes  
D888,309 S \* 6/2020 Siminoff ..... D26/63

(Continued)

(\*\*) Term: **15 Years**

*Primary Examiner* — Marissa J Cash  
*Assistant Examiner* — William B Melliar

(21) Appl. No.: **29/723,715**

(74) *Attorney, Agent, or Firm* — Middleton Reutlinger

(22) Filed: **Feb. 10, 2020**

(57) **CLAIM**

**Related U.S. Application Data**

The ornamental design for the security light, as shown and described.

(62) Division of application No. 29/626,791, filed on Nov. 20, 2017.

**DESCRIPTION**

(51) **LOC (13) Cl.** ..... **26-05**

(52) **U.S. Cl.**  
USPC ..... **D26/51**; D26/63

(58) **Field of Classification Search**  
USPC ..... D26/63, 65, 68, 67, 37-51, 24, 52, D26/60-61, 80, 113, 118-119, 1, 2; D16/203

CPC .... F21S 8/04; F21S 8/00; F21V 21/00; F21V 17/02; F21V 14/02; F21V 21/30; F21V 21/14; F21V 21/26; F21W 2131/10  
See application file for complete search history.

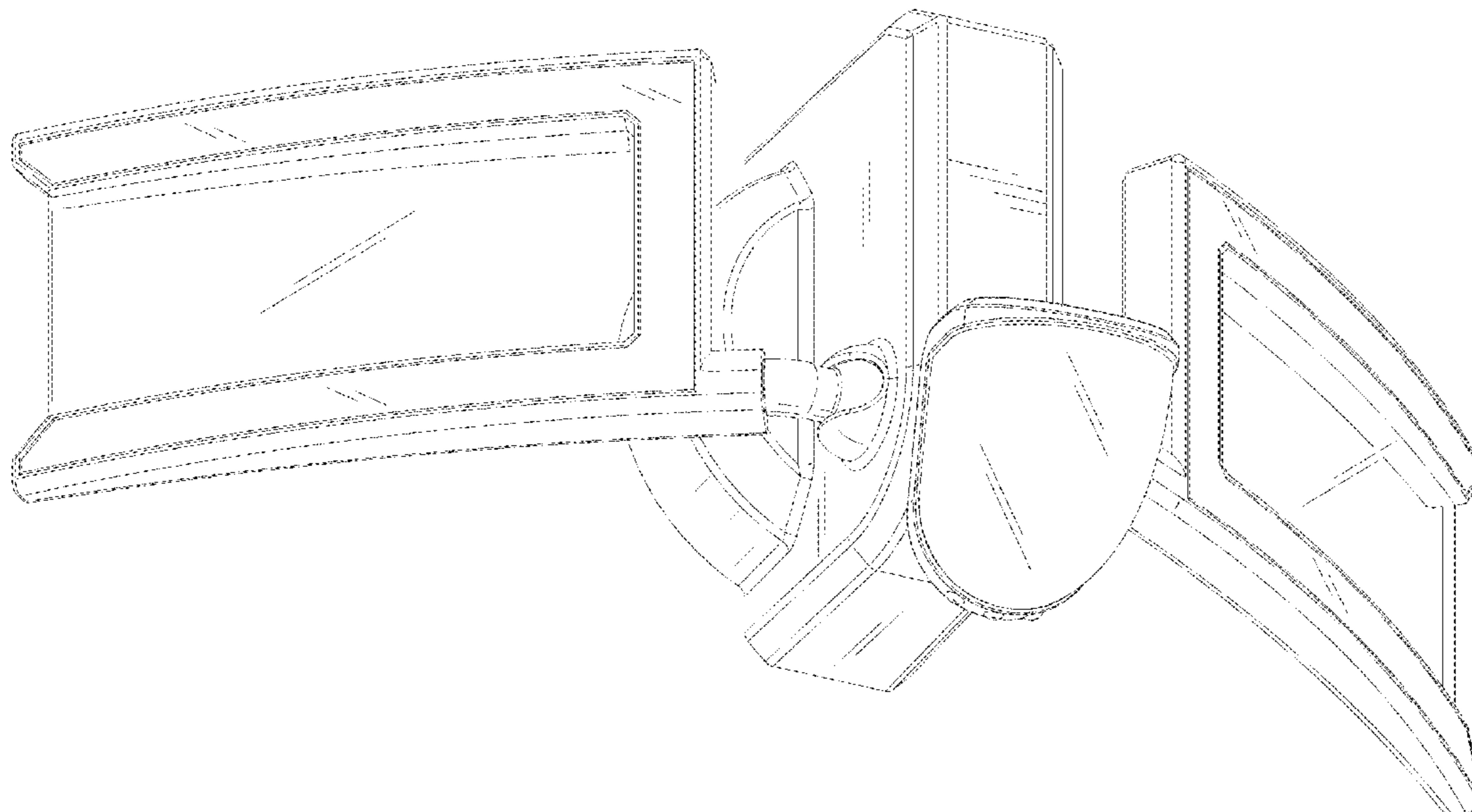
FIG. 1 is a lower perspective view of a security light showing the new design;  
FIG. 2 is a rear perspective view of the security light design of FIG. 1;  
FIG. 3 is a front view of the security light design of FIG. 1;  
FIG. 4 is a rear view of the security light design of FIG. 1;  
FIG. 5 is a top view of the security light design of FIG. 1;  
FIG. 6 is a bottom view of the security light design of FIG. 1;  
FIG. 7 is a left side view of the security light design of FIG. 1; and,  
FIG. 8 is a right side view of the security light design of FIG. 1.  
In the drawings, the broken lines depict portions of the security light that form no part of the claimed design.

(56) **References Cited**

**U.S. PATENT DOCUMENTS**

D708,388 S 7/2014 Lee  
D713,579 S 9/2014 Chen  
D713,581 S 9/2014 Chen

**1 Claim, 8 Drawing Sheets**



(56)

**References Cited**

U.S. PATENT DOCUMENTS

D888,310 S \* 6/2020 Siminoff ..... D26/63  
D888,322 S \* 6/2020 Paredes ..... D26/118  
D889,720 S \* 7/2020 Zhu ..... D26/63  
D889,721 S \* 7/2020 Tan ..... D26/63  
2006/0024046 A1\* 2/2006 Jones ..... G08B 13/19632  
396/427  
2012/0257064 A1\* 10/2012 Kim ..... G08B 13/19626  
348/159  
2015/0029340 A1\* 1/2015 Taguchi ..... G02B 27/0006  
348/151  
2015/0312448 A1\* 10/2015 Stark ..... G03B 17/561  
348/374  
2016/0134819 A1\* 5/2016 Wu ..... H04N 5/2254  
348/164  
2017/0003008 A1\* 1/2017 Ito ..... F21V 33/0064

\* cited by examiner

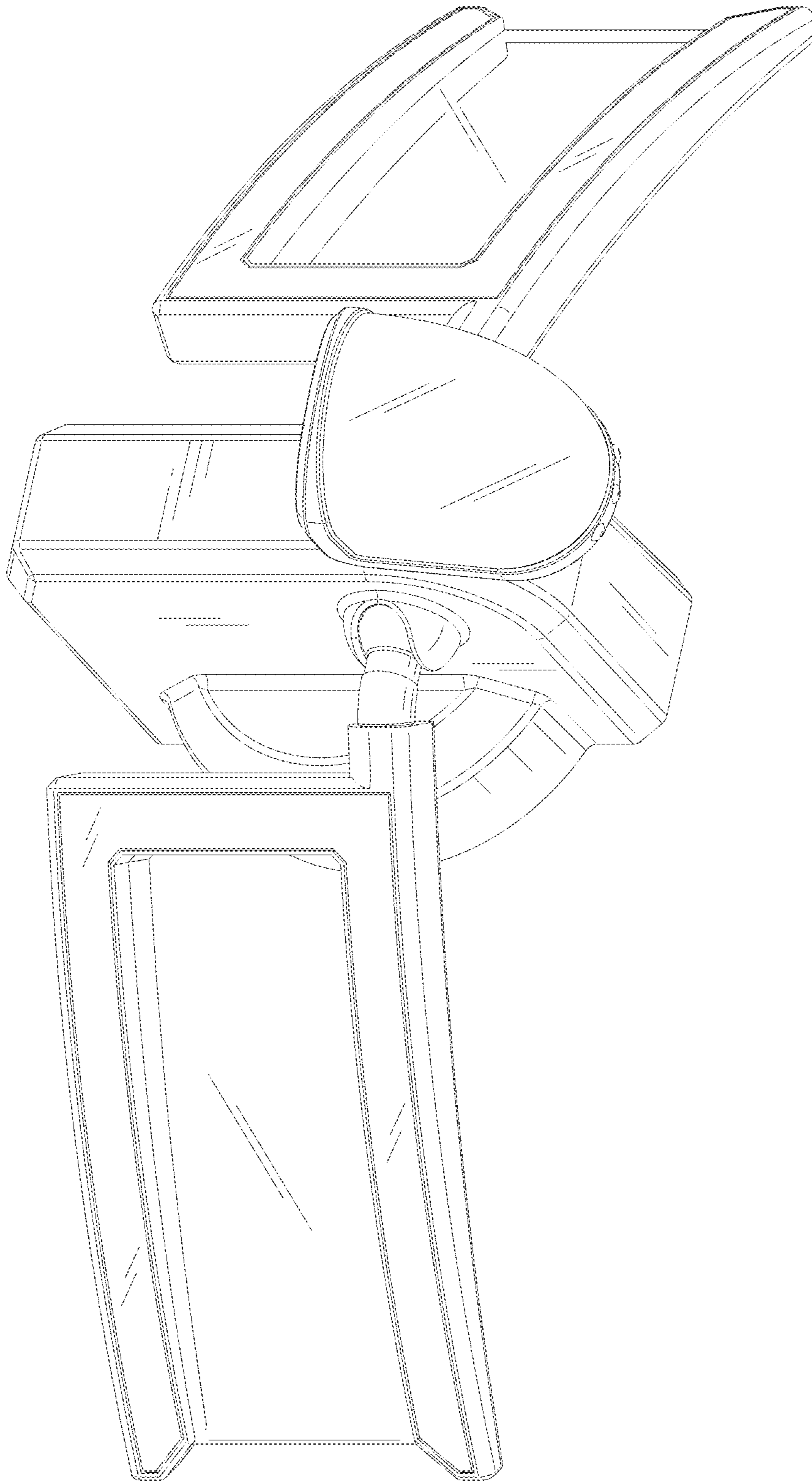


FIG. 1



FIG. 2



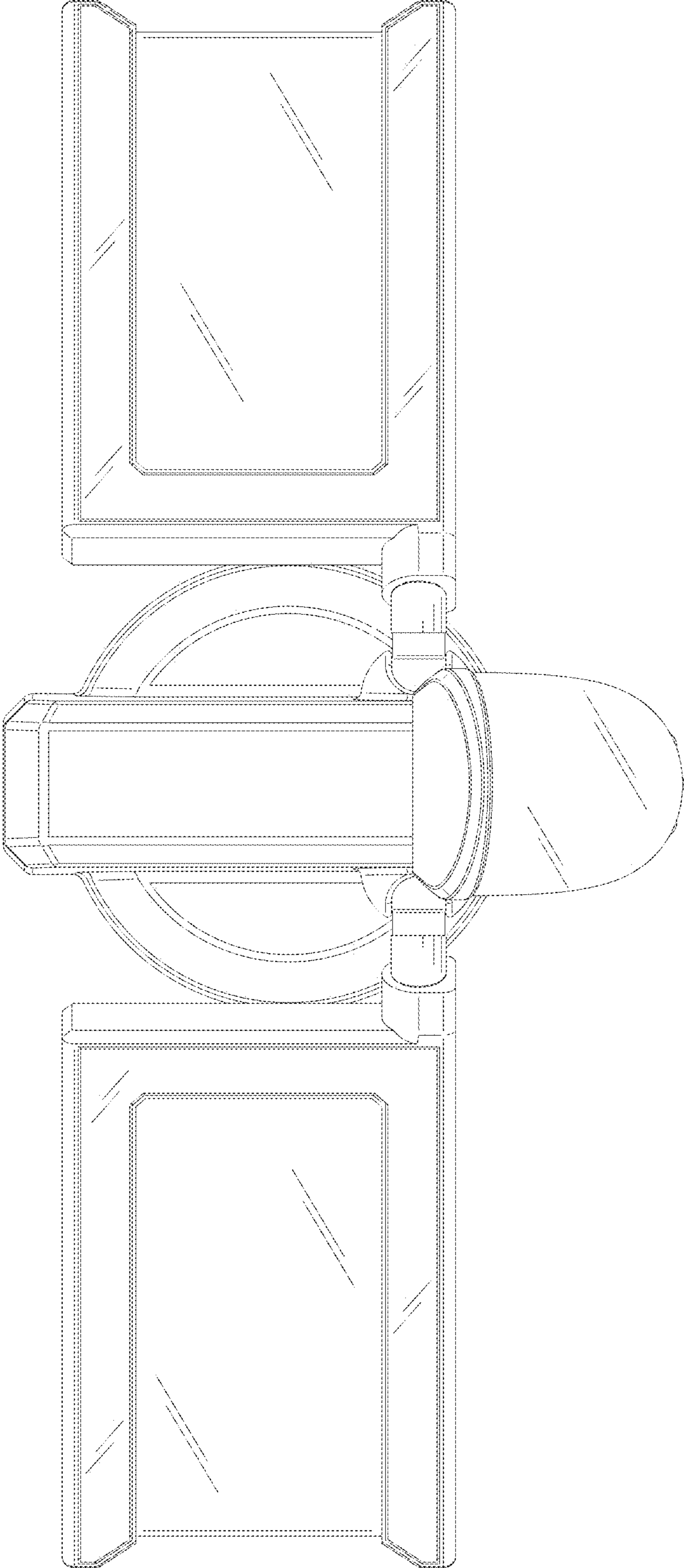


FIG. 3

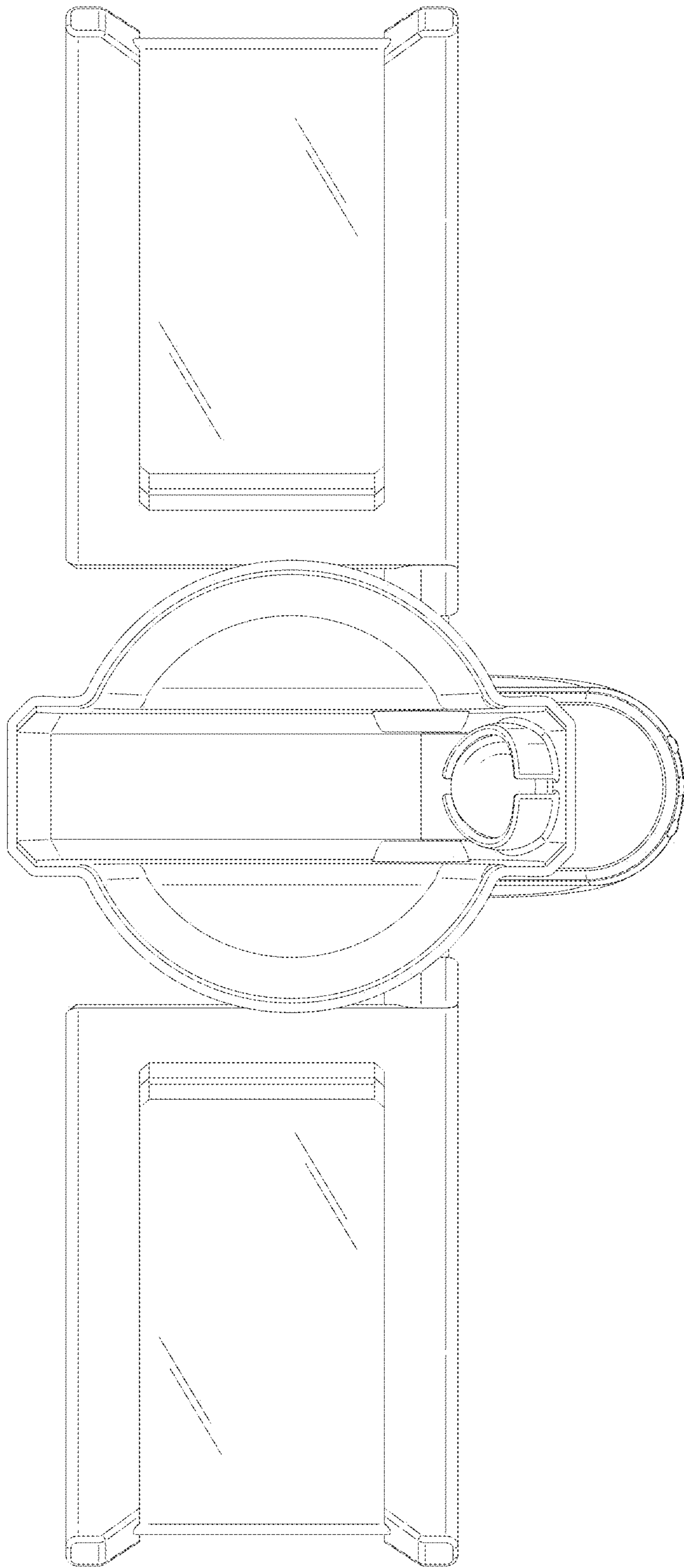


FIG. 4

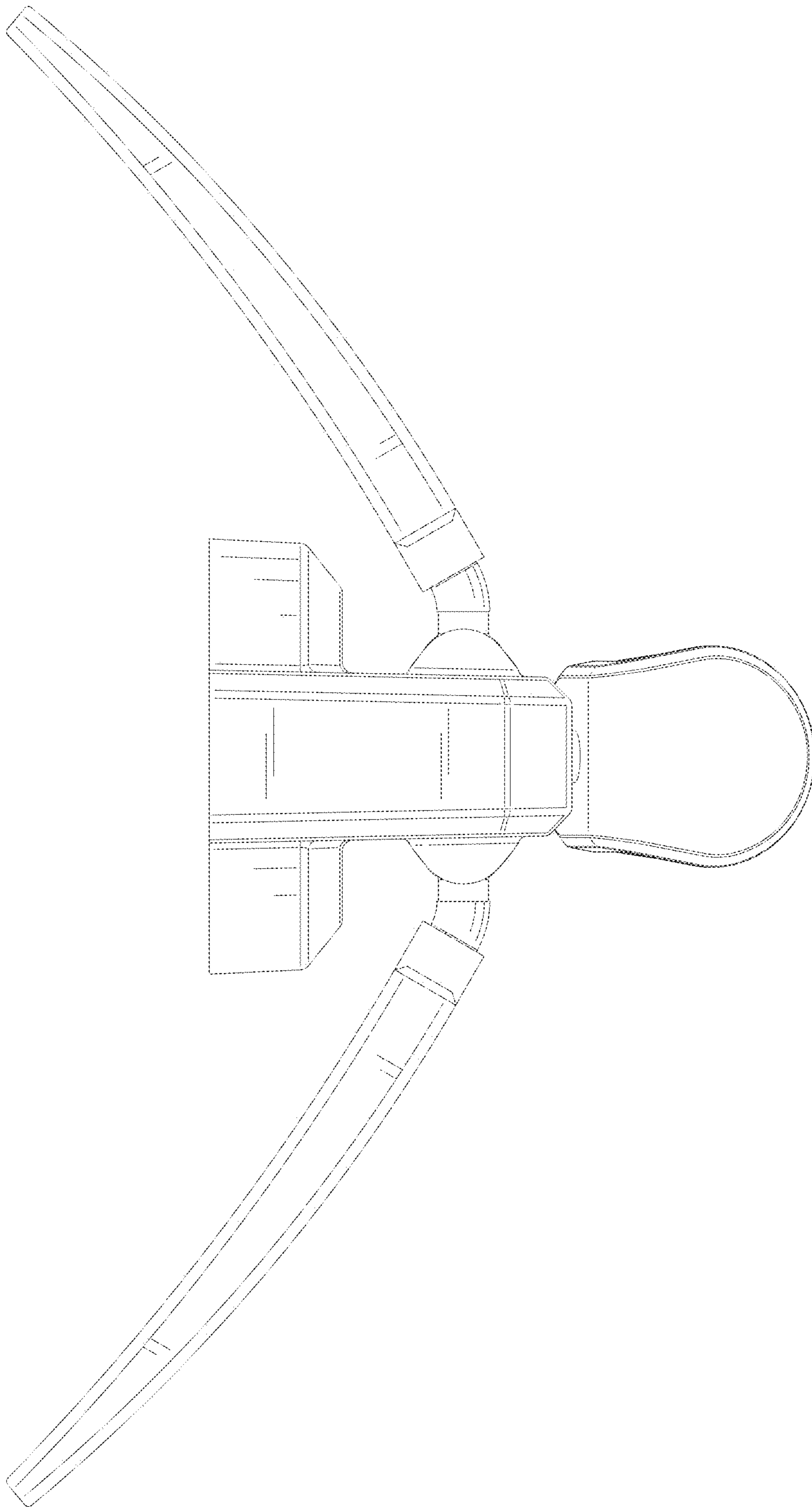


FIG. 5

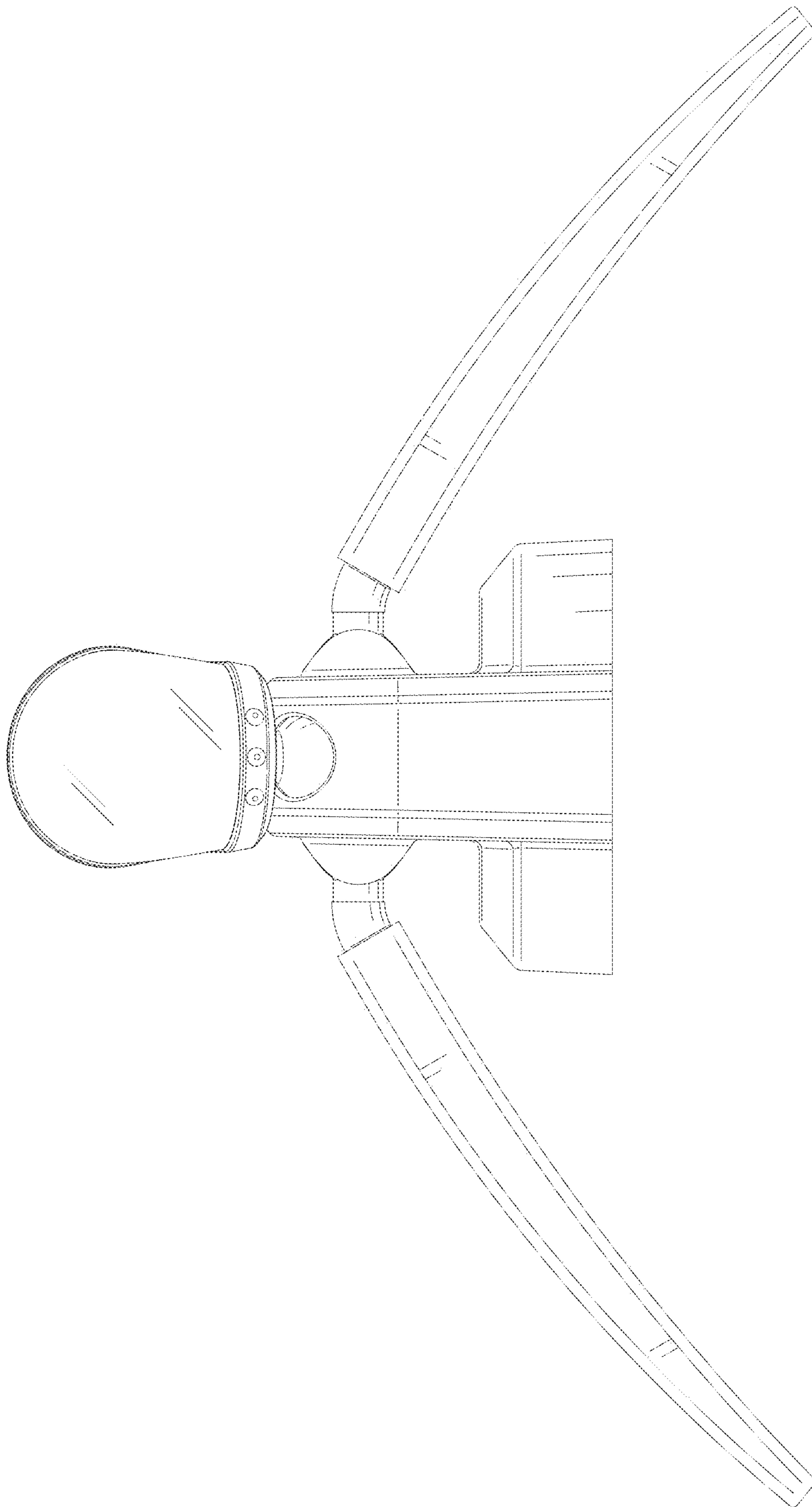


FIG. 6



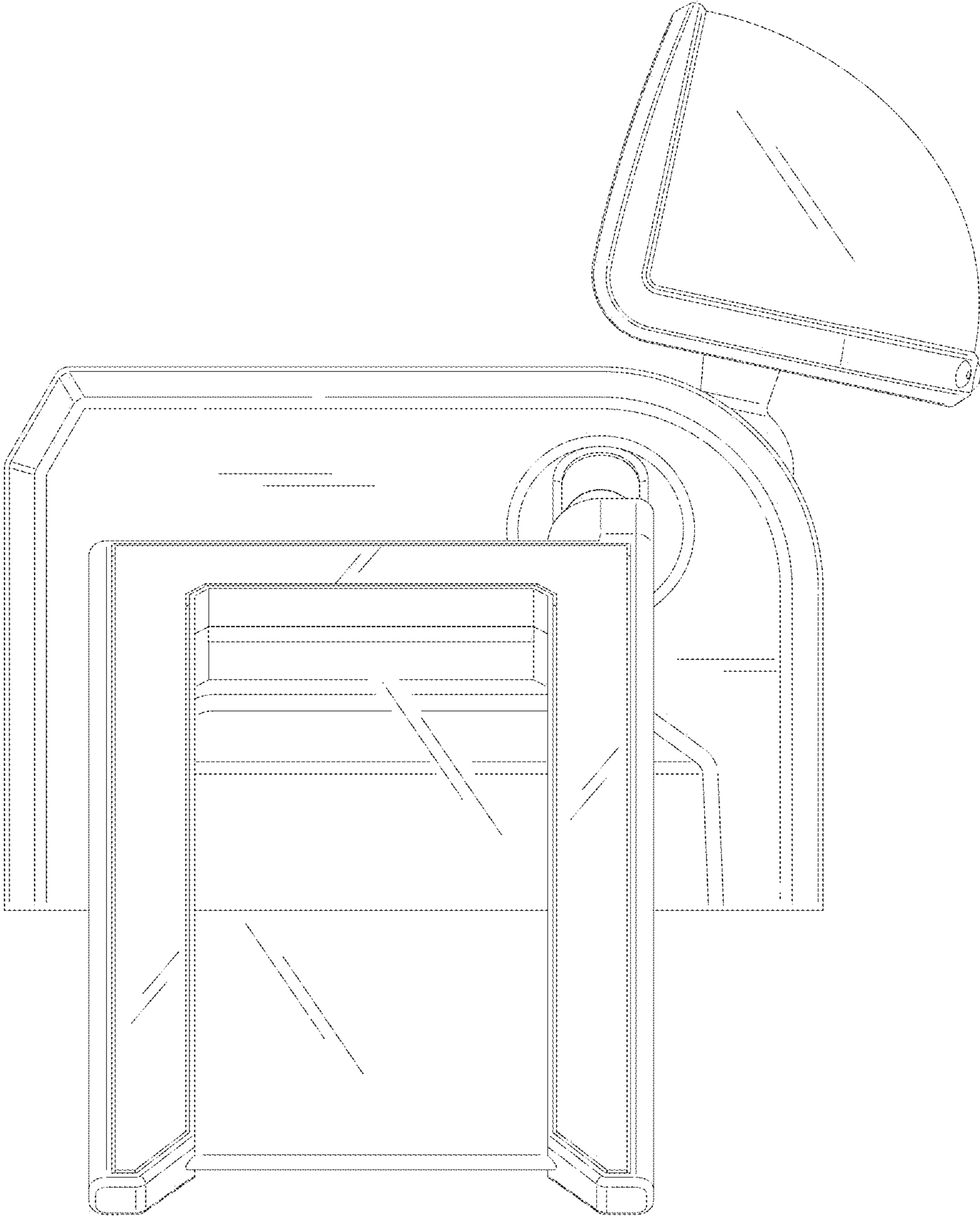


FIG. 7

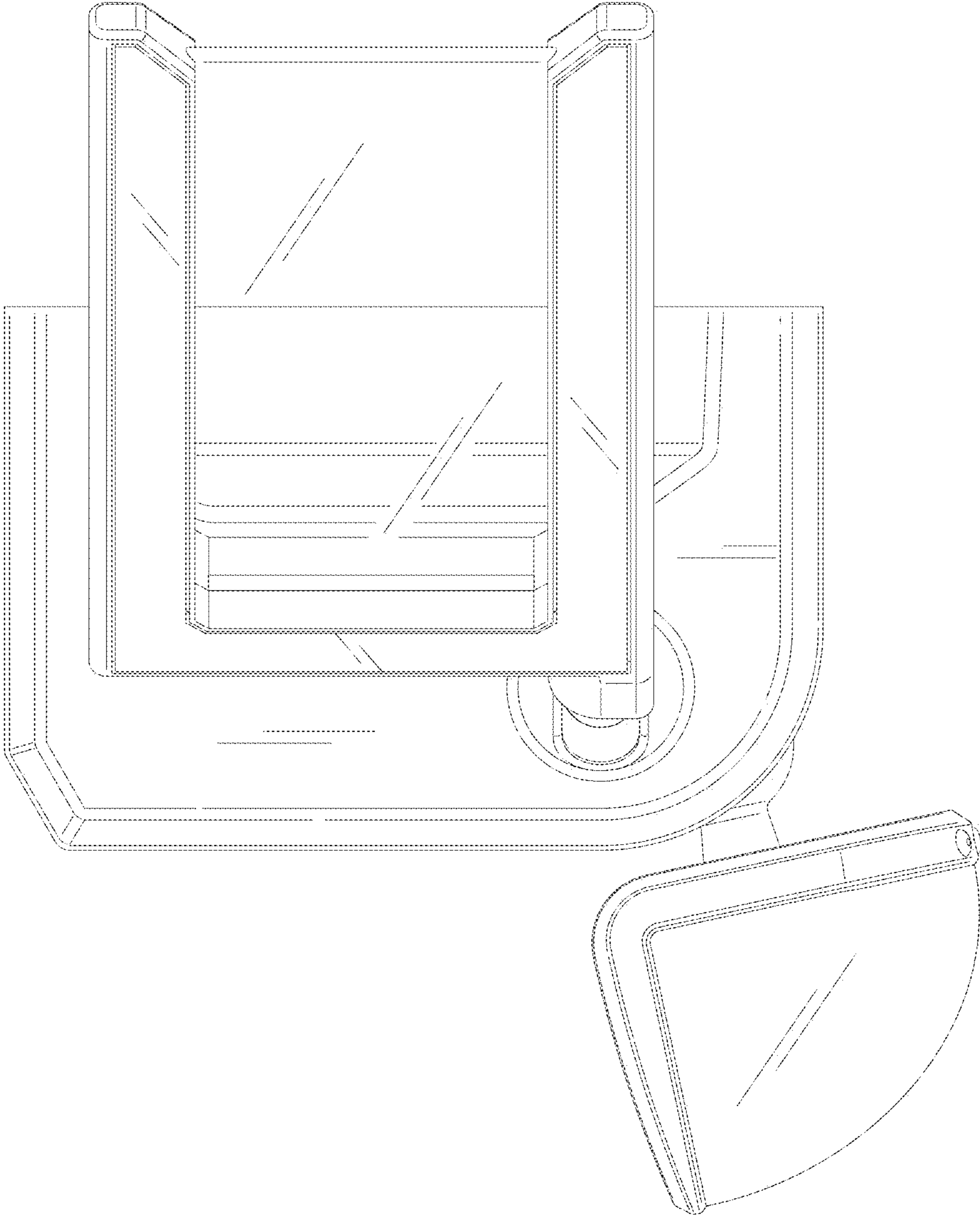


FIG. 8