



US00D946185S

(12) **United States Design Patent**
Zhong

(10) **Patent No.:** **US D946,185 S**

(45) **Date of Patent:** **** Mar. 15, 2022**

(54) **WOODS LAMP**

(71) Applicant: **SHENZHEN RUIOU OPTICAL SYSTEM LTD**, Shenzhen (CN)

(72) Inventor: **Chenggang Zhong**, Shenzhen (CN)

(73) Assignee: **SHENZHEN RUIOU OPTICAL SYSTEM LTD**, Shenzhen (CN)

(**) Term: **15 Years**

(21) Appl. No.: **29/774,823**

(22) Filed: **Mar. 19, 2021**

(51) **LOC (13) Cl.** **26-02**

(52) **U.S. Cl.**
USPC **D26/37**

(58) **Field of Classification Search**
USPC D26/1, 225, 94, 51, 68, 93, 60, 37, 113, D26/26; D24/107, 133, 134, 137, 138, D24/139

CPC F21S 6/00; F21S 6/002; F21S 6/004; F21S 4/00; F21S 4/15; F21S 2/00; F21S 8/033; F21S 8/036; F21S 8/085; F21S 8/081; F21S 8/083; F21S 8/088; F21L 2003/00; F21L 4/00; F21L 4/005; F21L 4/02; F21L 4/025; F21V 21/08; F21V 33/00; F21V 14/02; F21V 14/025

See application file for complete search history.

(56) **References Cited**

U.S. PATENT DOCUMENTS

D280,345 S * 8/1985 Paget D26/26
D636,513 S * 4/2011 Furtsch D26/51
D797,984 S 9/2017 Dolgov
D835,316 S * 12/2018 Edgar D26/51

D882,843 S * 4/2020 Kaiser D26/60
D893,093 S * 8/2020 Jurkiewicz D26/142
D898,219 S 10/2020 Xie
D909,646 S * 2/2021 Saboo D26/60
D916,355 S * 4/2021 Sanchez Gonzalez D26/93
D924,454 S * 7/2021 Xiong D26/51
D926,344 S * 7/2021 Arola D26/51
11,073,274 B2 * 7/2021 Mondora F21V 23/0414
11,091,305 B2 * 8/2021 Martinson B65D 63/12

OTHER PUBLICATIONS

Amazon, Maineng Woods Lamp Skin Analyzer, Jul. 23, 2020 (Year: 2020).*

* cited by examiner

Primary Examiner — Mark A Goodwin
Assistant Examiner — Benjamin M Weeks

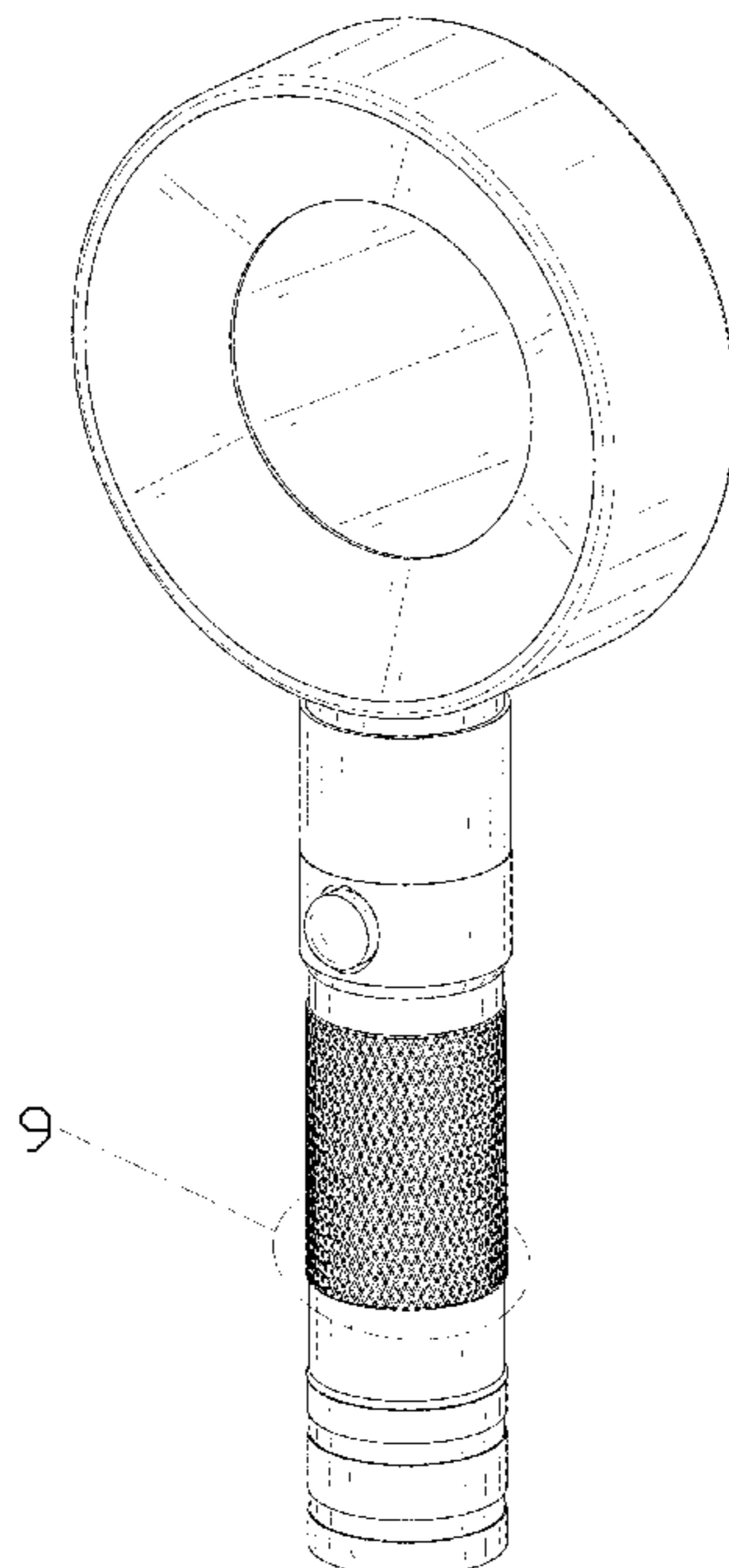
(57) **CLAIM**

The ornamental design for a woods lamp, as shown and described.

DESCRIPTION

FIG. 1 is a perspective view of a woods lamp showing my new design;
FIG. 2 is another perspective view thereof;
FIG. 3 is a front elevational view thereof;
FIG. 4 is a rear elevational view thereof;
FIG. 5 is a left side elevational view thereof;
FIG. 6 is a right side elevational view thereof;
FIG. 7 is a top plan view thereof; and
FIG. 8 is a bottom plan view thereof; and,
FIG. 9 is an enlarged view of portion 9 shown in FIG. 1.
The broken lines in the drawings depict portions of the woods lamp that form no part of the claimed design.

1 Claim, 9 Drawing Sheets



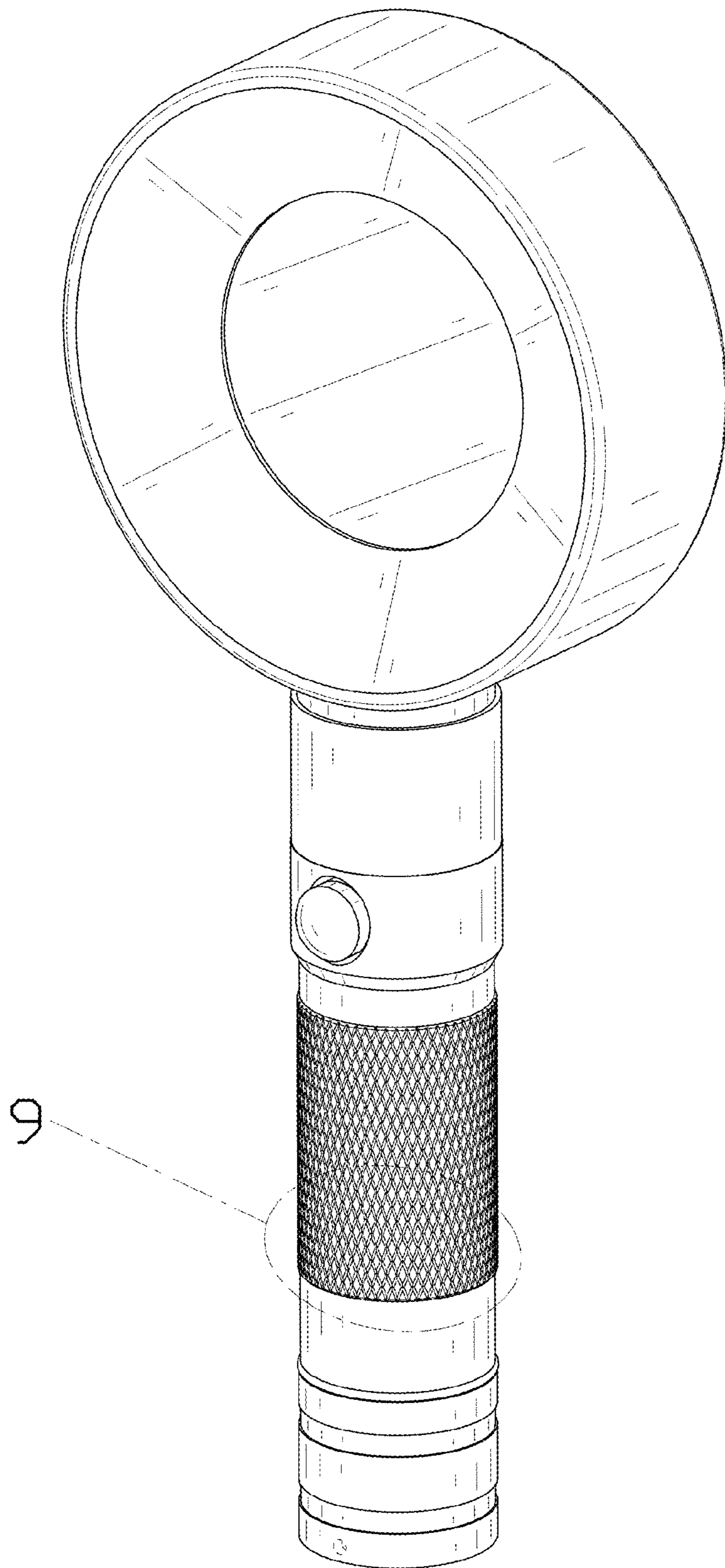


FIG. 1

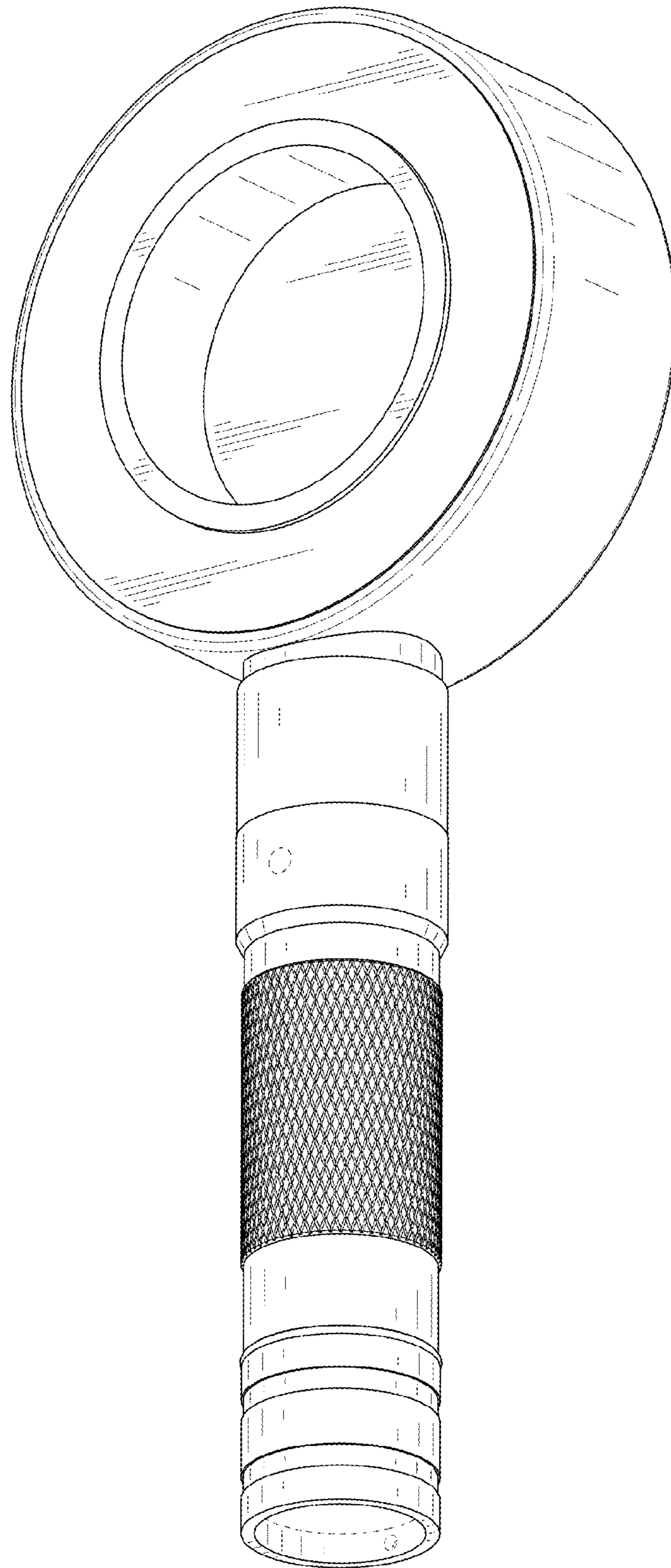


FIG. 2

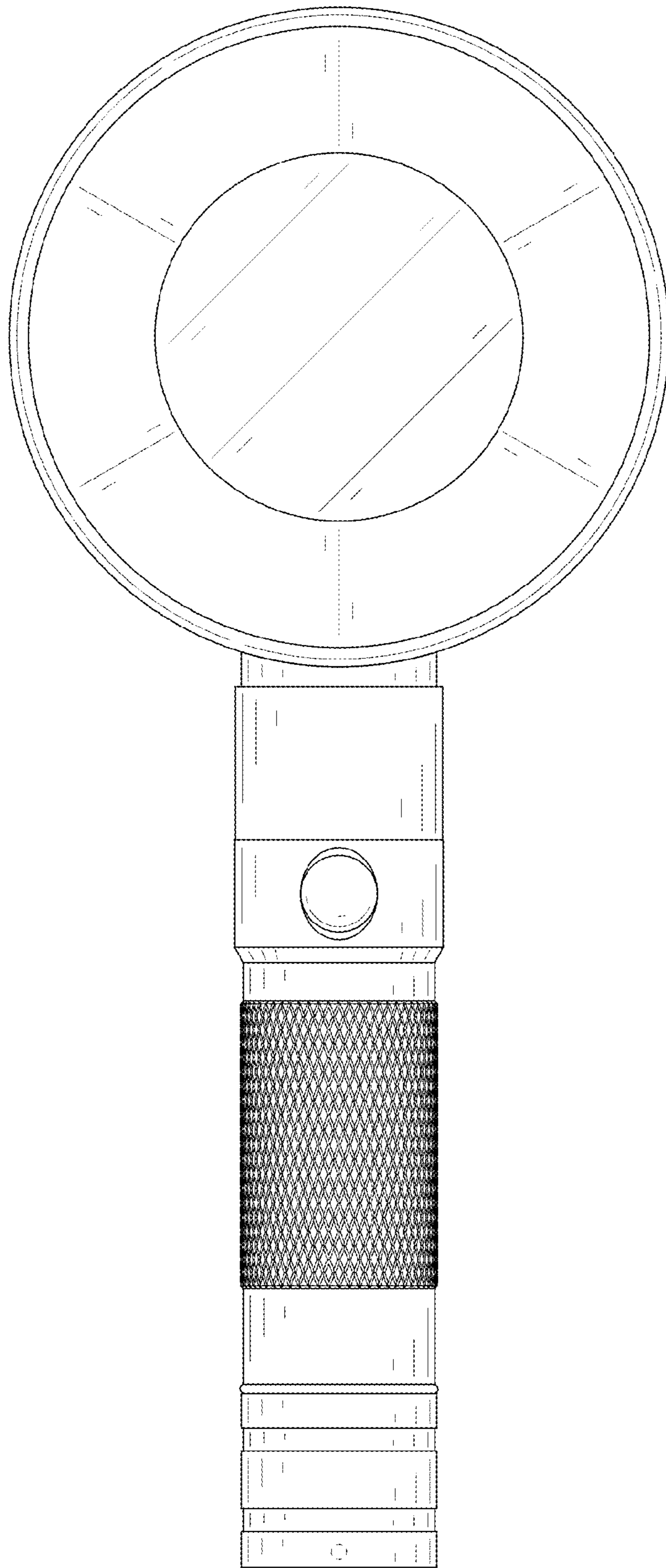


FIG. 3

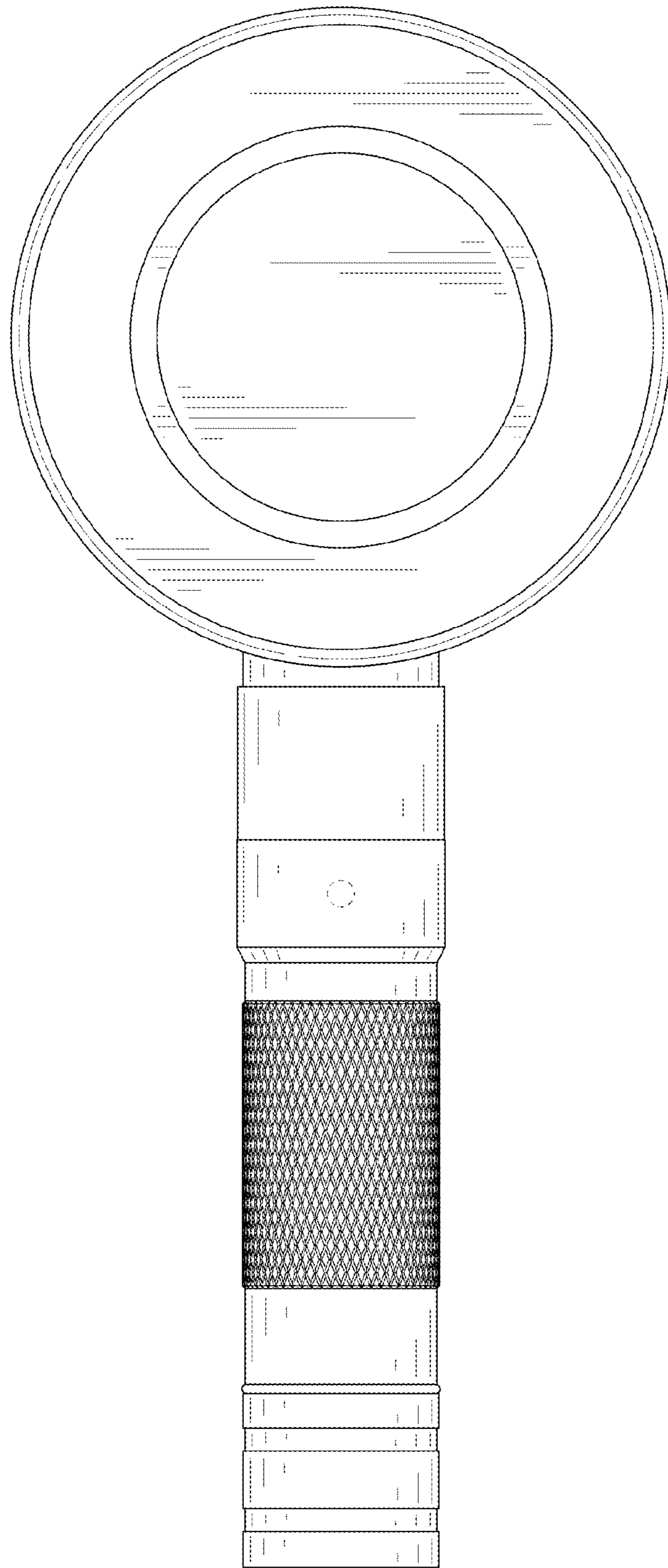


FIG. 4

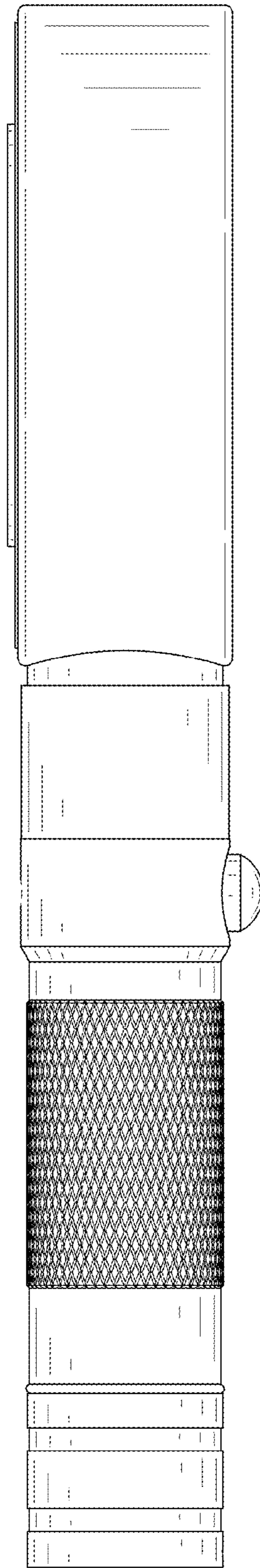


FIG. 5

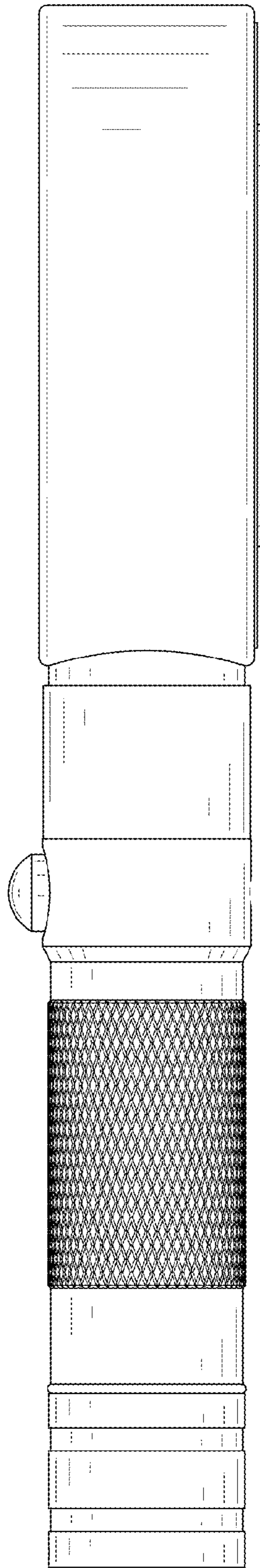


FIG. 6

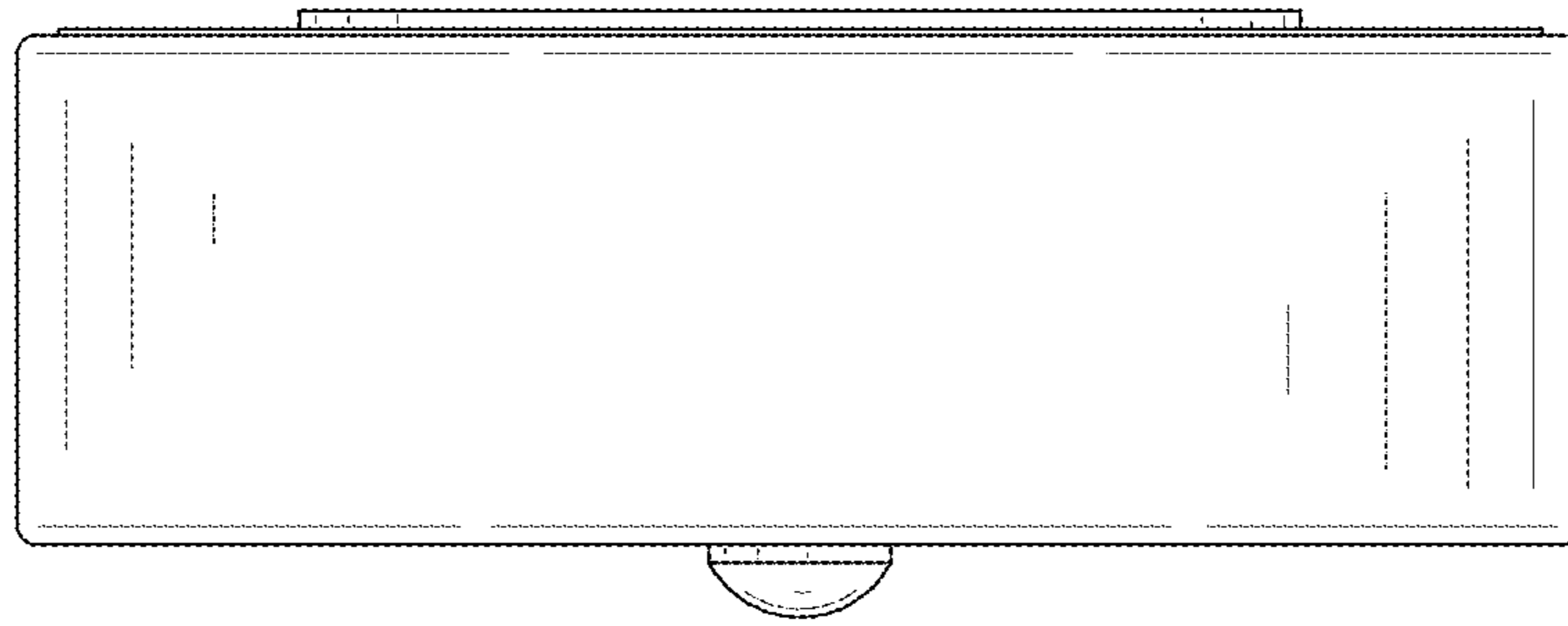


FIG. 7

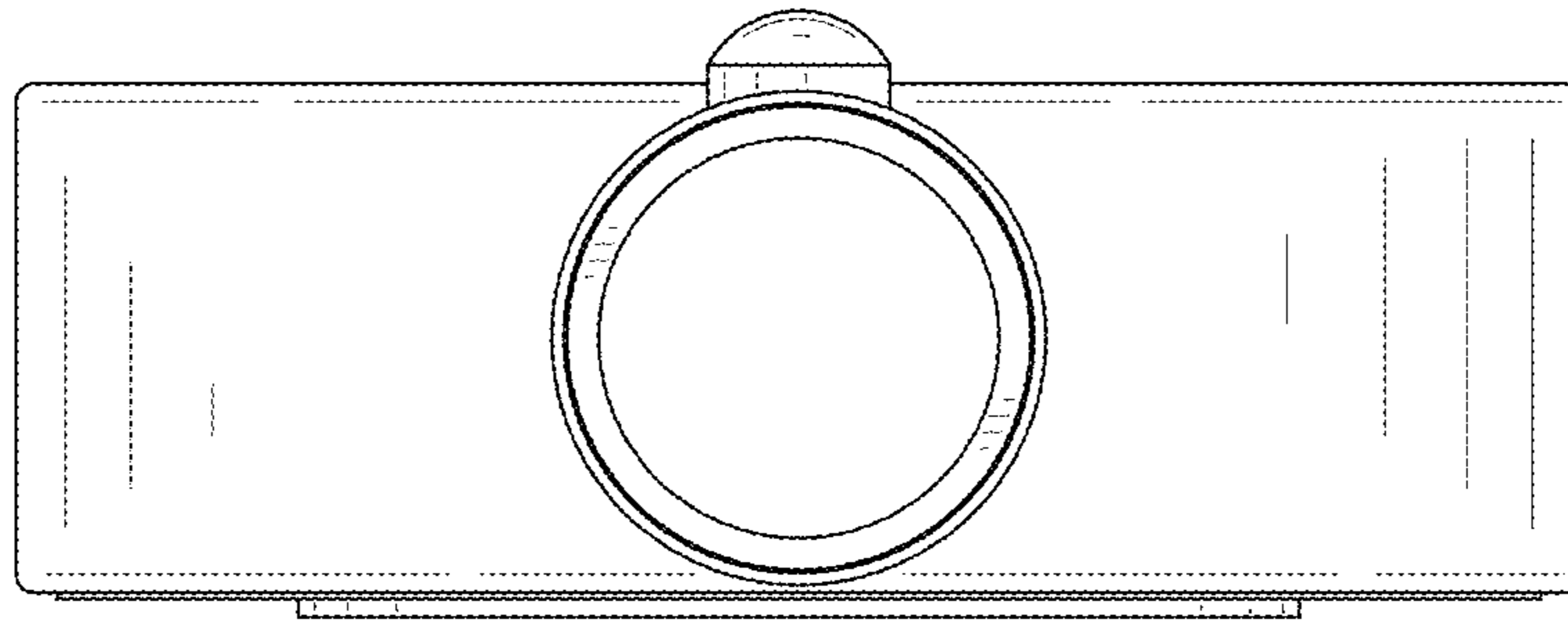


FIG. 8

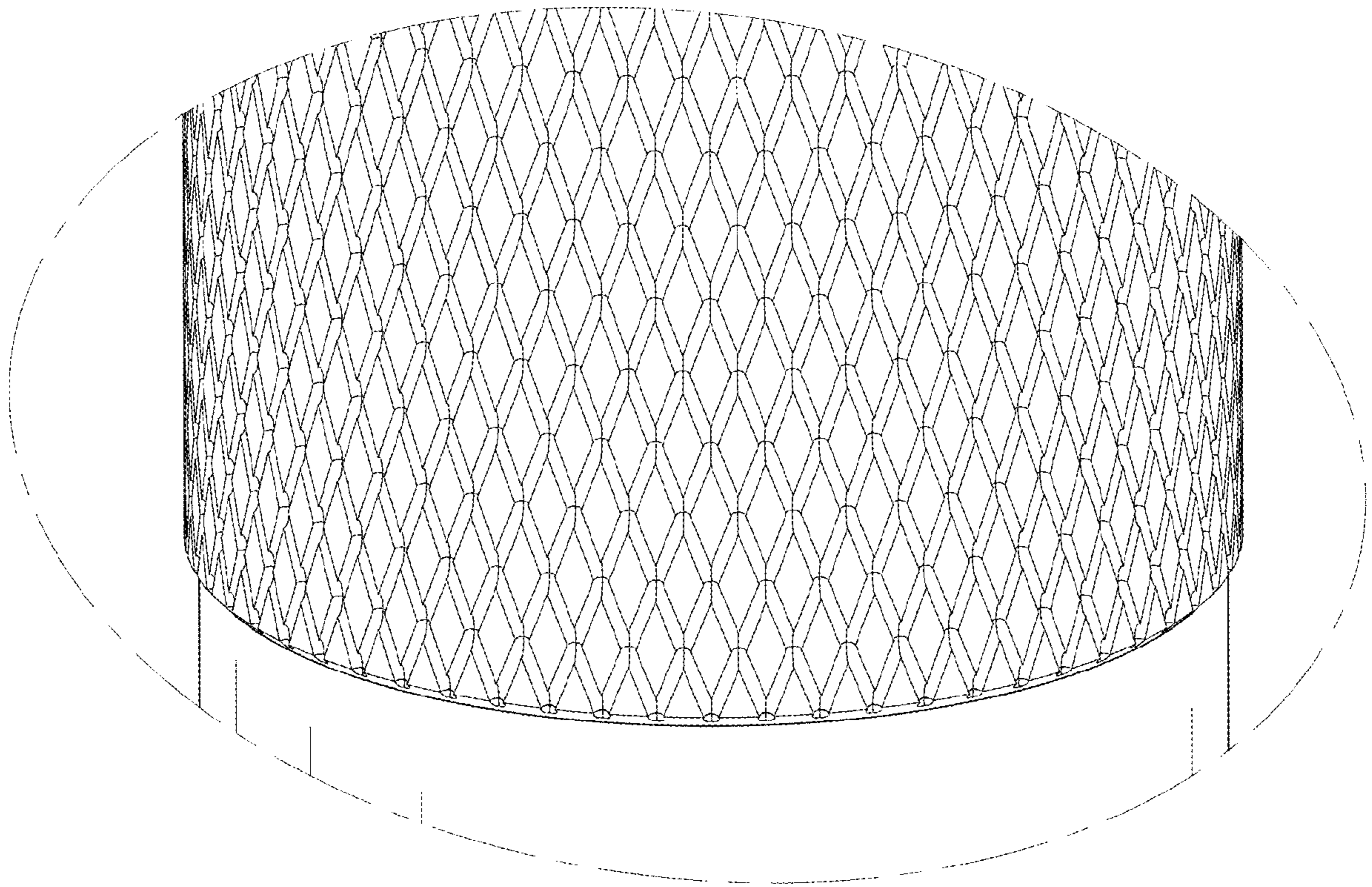


FIG. 9