



US00D946182S

(12) **United States Design Patent**  
**Seichter et al.**

(10) **Patent No.:** **US D946,182 S**  
(45) **Date of Patent:** **\*\* Mar. 15, 2022**

(54) **VEHICLE LAMP**

(71) Applicant: **OSRAM GmbH**, Munich (DE)

(72) Inventors: **Christian Seichter**, Herbrechtingen (DE); **Kevin Bayer**, Heidenheim (DE); **Hans Guenther Mayer**, Hermaringen (DE); **Ralf Lindner**, Neresheim (DE)

(73) Assignee: **OSRAM GmbH**, Munich (DE)

(\*\*) Term: **15 Years**

(21) Appl. No.: **29/751,535**

(22) Filed: **Sep. 22, 2020**

(51) **LOC (13) Cl.** ..... **26-06**

(52) **U.S. Cl.**  
USPC ..... **D26/28**

(58) **Field of Classification Search**  
USPC ..... D26/28-36, 139  
CPC ..... F21S 48/00; F21S 48/10; F21S 48/115;  
F21S 48/225; F21S 48/1233; F21S  
48/1266; F21S 48/1388; F21S 48/2268;  
F21V 5/00; F21V 21/04; F21V 29/004;  
B60Q 9/13; B60Q 9/135; B60Q 9/1375  
See application file for complete search history.

(56) **References Cited**

**U.S. PATENT DOCUMENTS**

D867,632 S \* 11/2019 Wu ..... D26/28  
D884,229 S \* 5/2020 Huang ..... D26/28

D887,042 S \* 6/2020 Jiang ..... D26/28  
D892,370 S \* 8/2020 Yan ..... D26/28  
D898,245 S \* 10/2020 Xu ..... D26/28  
D898,961 S \* 10/2020 Xu ..... D26/28  
D899,639 S \* 10/2020 Li ..... D26/28  
D903,169 S \* 11/2020 Xu ..... D26/28

\* cited by examiner

*Primary Examiner* — Marcus A Jackson

(74) *Attorney, Agent, or Firm* — Edward S. Podszus

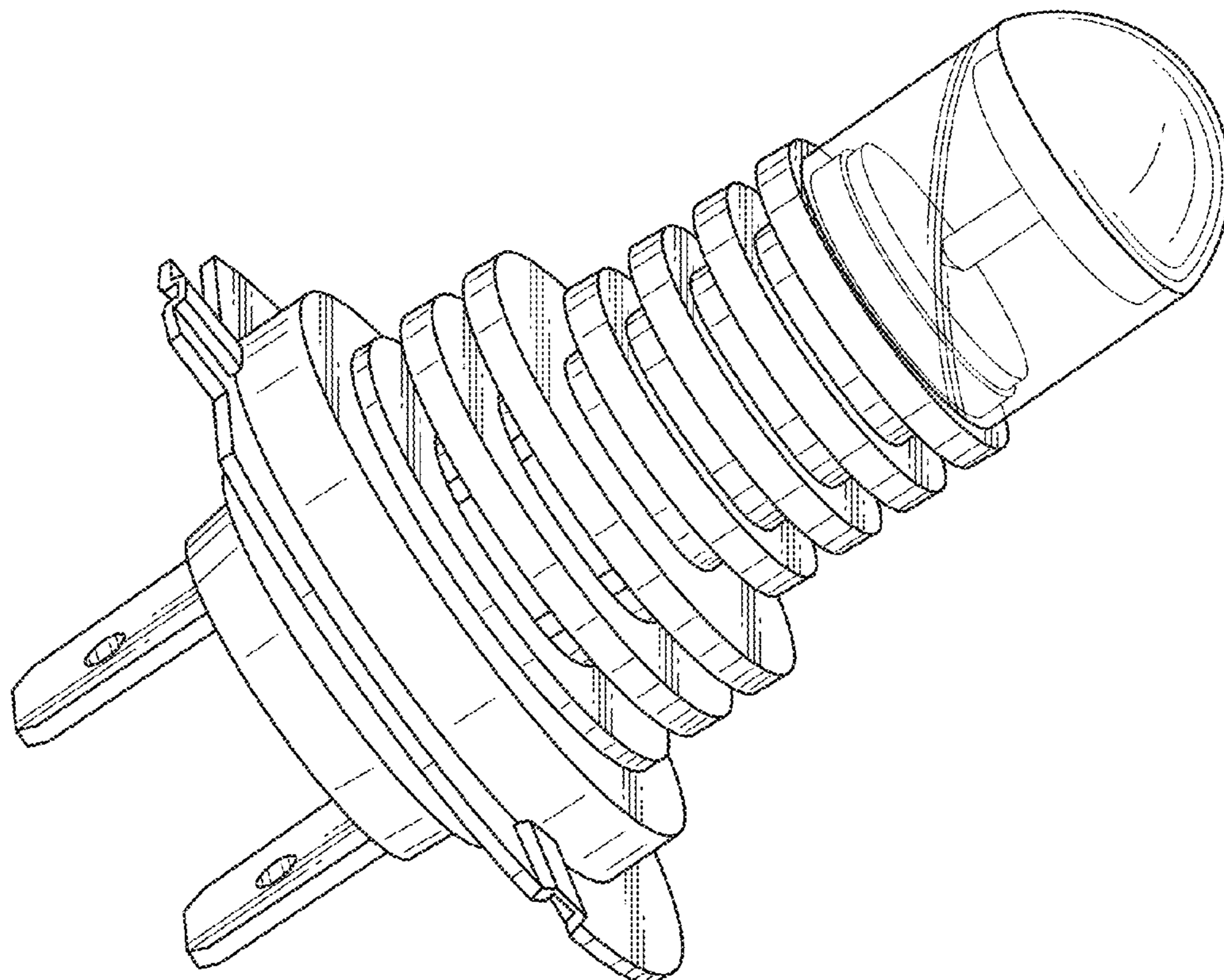
(57) **CLAIM**

The ornamental design for a vehicle lamp, as shown and described.

**DESCRIPTION**

FIG. 1 is a perspective view of the new design for a vehicle lamp, as seen from the front, top;  
FIG. 2 is a front elevational view thereof;  
FIG. 3 is a side elevational view thereof;  
FIG. 4 is a top plan view thereof; and,  
FIG. 5 is a bottom plan view thereof.  
The broken line disclosure is for environmental purposes only and does not form a part of the claimed design.

**1 Claim, 4 Drawing Sheets**



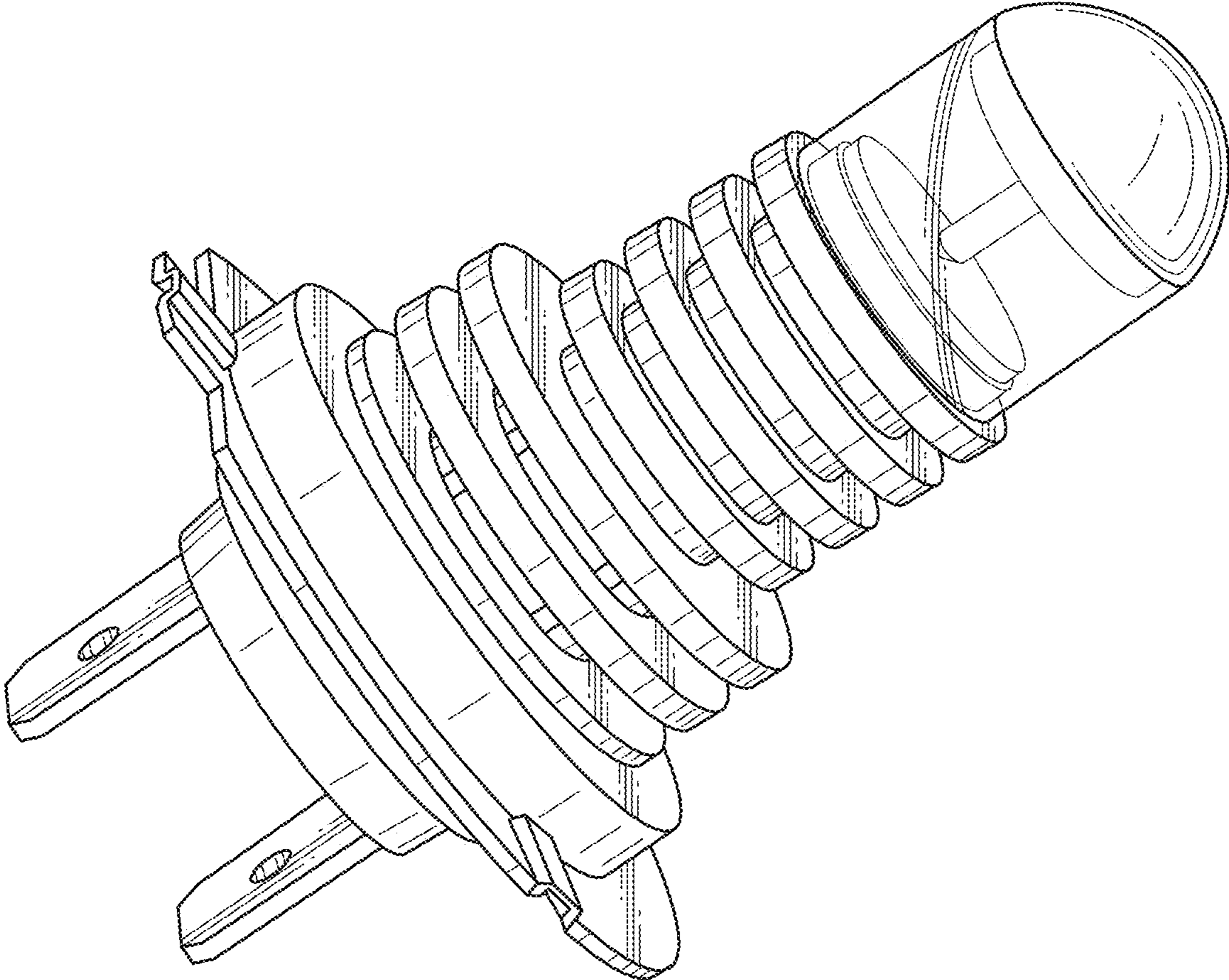


FIG. 1

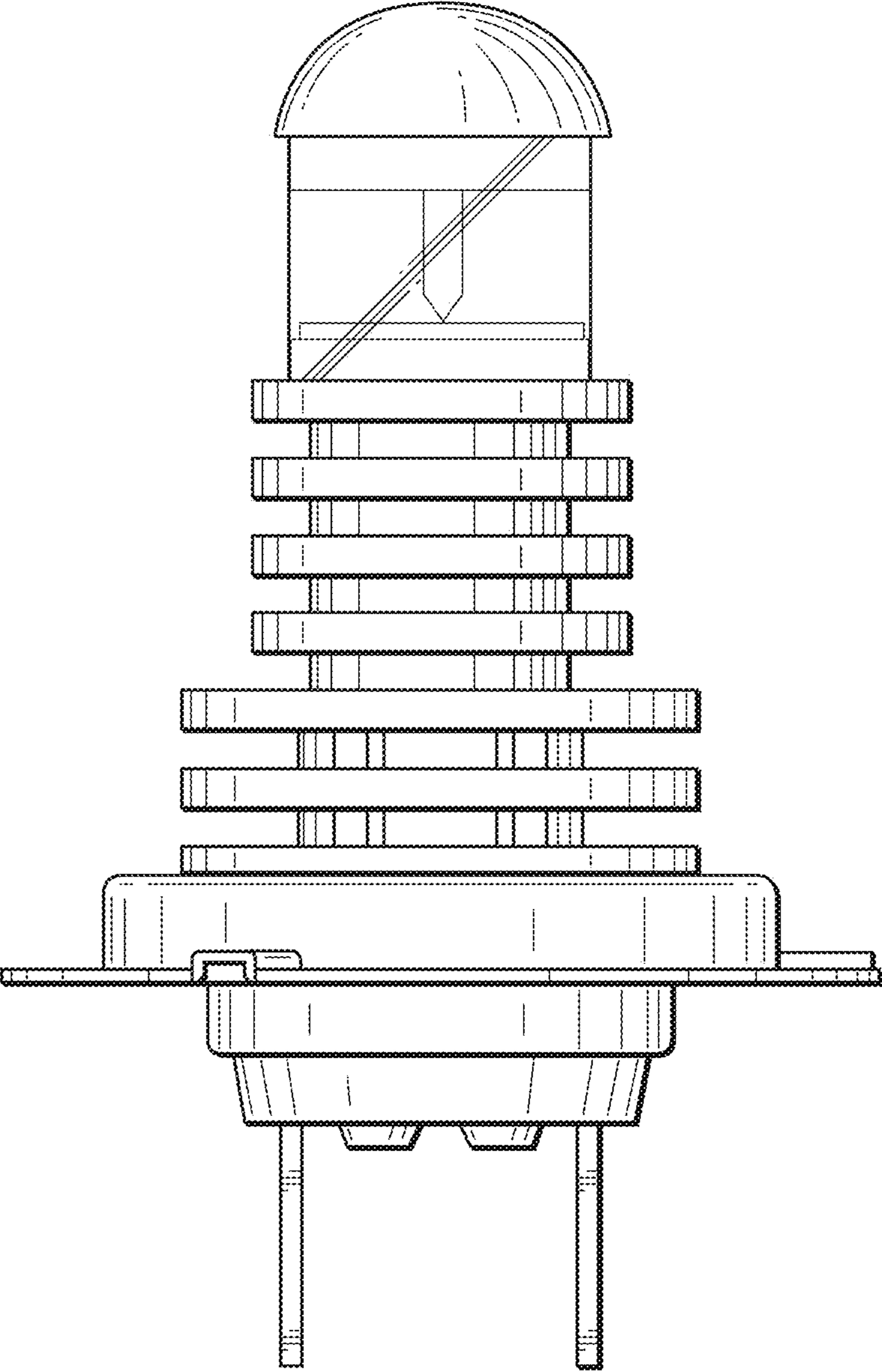


FIG. 2

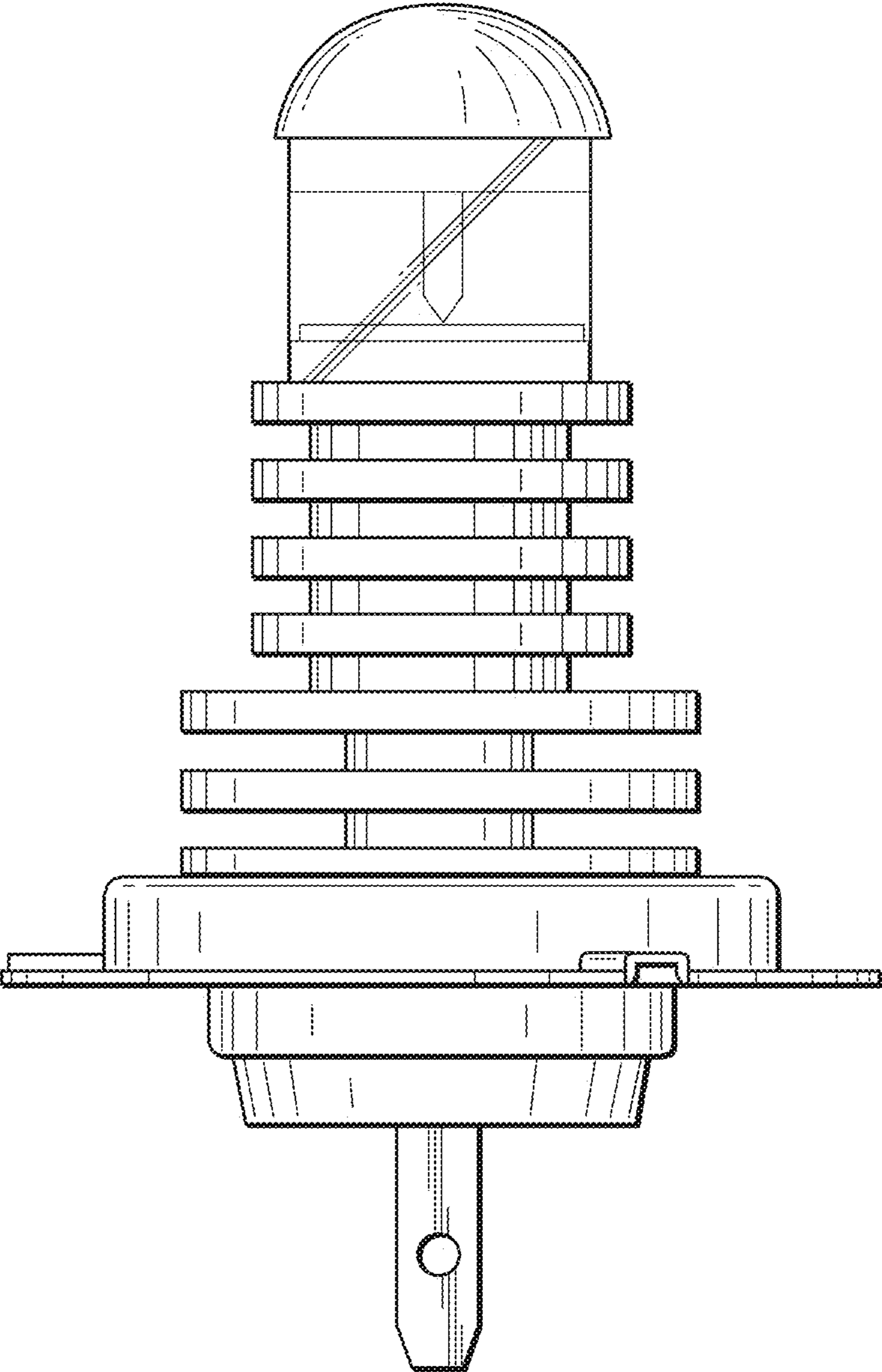


FIG. 3

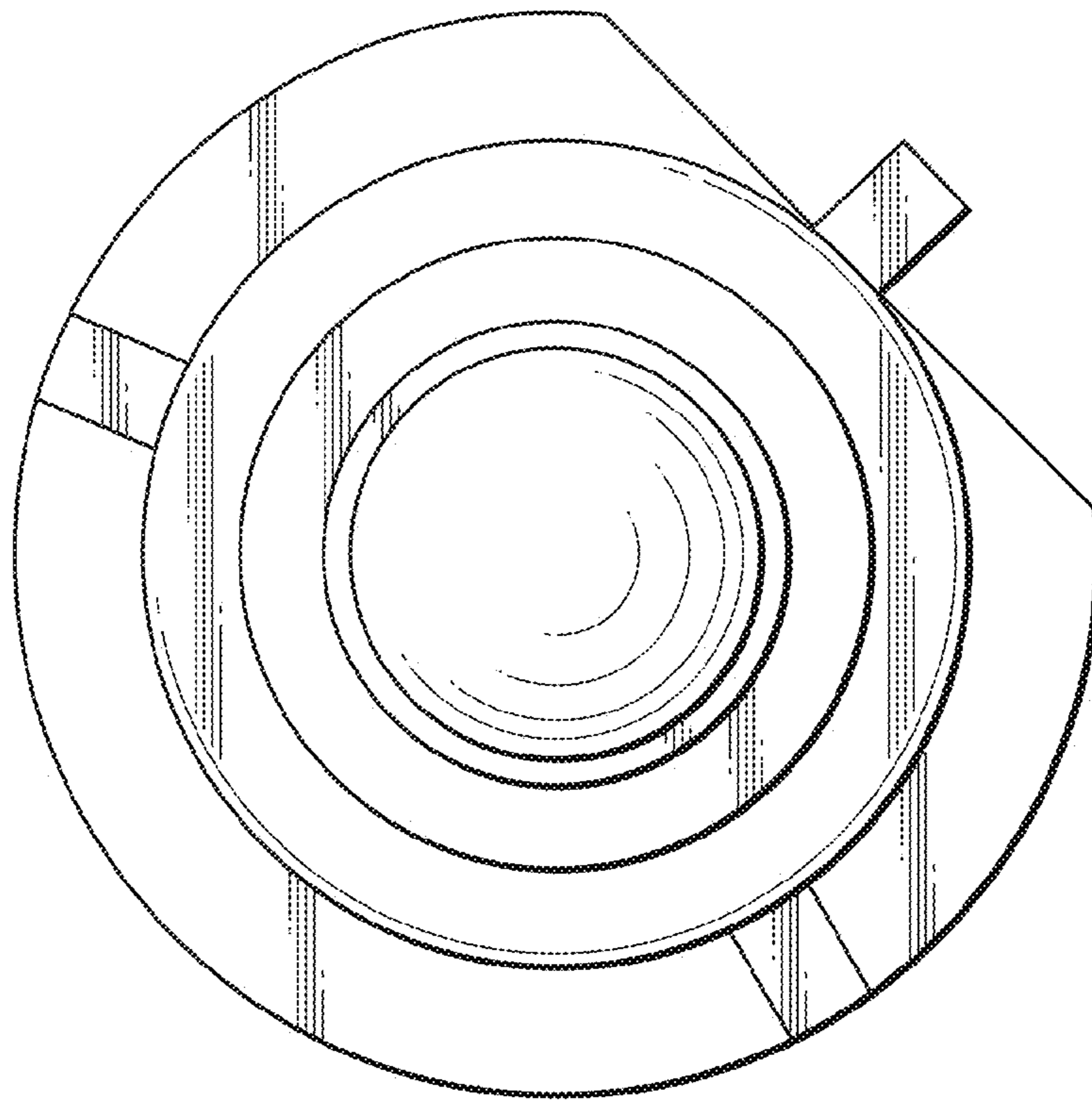


FIG. 4

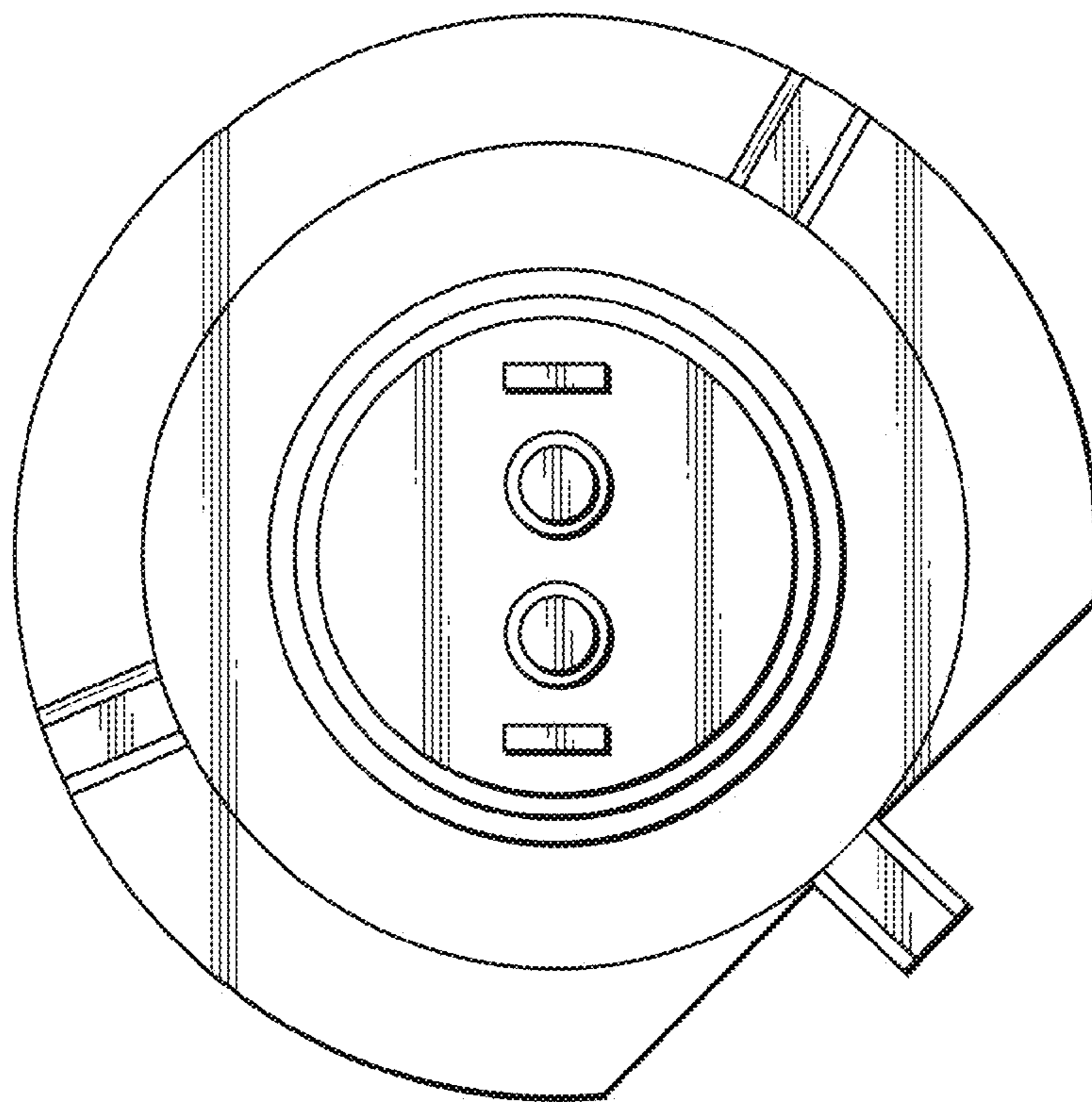


FIG. 5