



US00D946181S

(12) **United States Design Patent** (10) **Patent No.:** **US D946,181 S**  
**Seichter et al.** (45) **Date of Patent:** **\*\* Mar. 15, 2022**

(54) **VEHICLE LAMP**

(56) **References Cited**

(71) Applicant: **OSRAM GmbH**, Munich (DE)

U.S. PATENT DOCUMENTS

(72) Inventors: **Christian Seichter**, Herbrechtingen (DE); **Kevin Bayer**, Heidenheim (DE); **Hans Guenther Mayer**, Hermaringen (DE); **Ralf Lindner**, Neresheim (DE)

D867,632 S	*	11/2019	Wu	.....	D26/28
D884,229 S	*	5/2020	Huang	.....	D26/28
D887,042 S	*	6/2020	Jiang	.....	D26/28
D892,370 S	*	8/2020	Yan	.....	D26/28
D898,245 S	*	10/2020	Xu	.....	D26/28
D898,961 S	*	10/2020	Xu	.....	D26/28
D899,639 S	*	10/2020	Li	.....	D26/28
D903,169 S	*	11/2020	Xu	.....	D26/28

(73) Assignee: **OSRAM GmbH**, Munich (DE)

\* cited by examiner

(\*\*) Term: **15 Years**

*Primary Examiner* — Marcus A Jackson

(21) Appl. No.: **29/751,531**

(74) *Attorney, Agent, or Firm* — Edward S. Podszus

(22) Filed: **Sep. 22, 2020**

(57) **CLAIM**

The ornamental design for a vehicle lamp, as shown and described.

(30) **Foreign Application Priority Data**

**DESCRIPTION**

Mar. 23, 2020 (EM) ..... 007768304

(51) **LOC (13) Cl.** ..... **26-06**

FIG. 1 is a perspective view of the new design for a vehicle lamp, as seen from the side, top;

(52) **U.S. Cl.**  
USPC ..... **D26/28**

FIG. 2 is a side elevational view thereof, the opposite side being the same;

(58) **Field of Classification Search**  
USPC ..... D26/28-36, 139  
CPC ..... F21S 48/00; F21S 48/10; F21S 48/115;  
F21S 48/225; F21S 48/1233; F21S 48/1266; F21S 48/1388; F21S 48/2268;  
F21V 5/00; F21V 21/04; F21V 29/004;  
B60Q 9/13; B60Q 9/135; B60Q 9/1375

FIG. 3 is a front elevational view thereof, the rear view being the same;

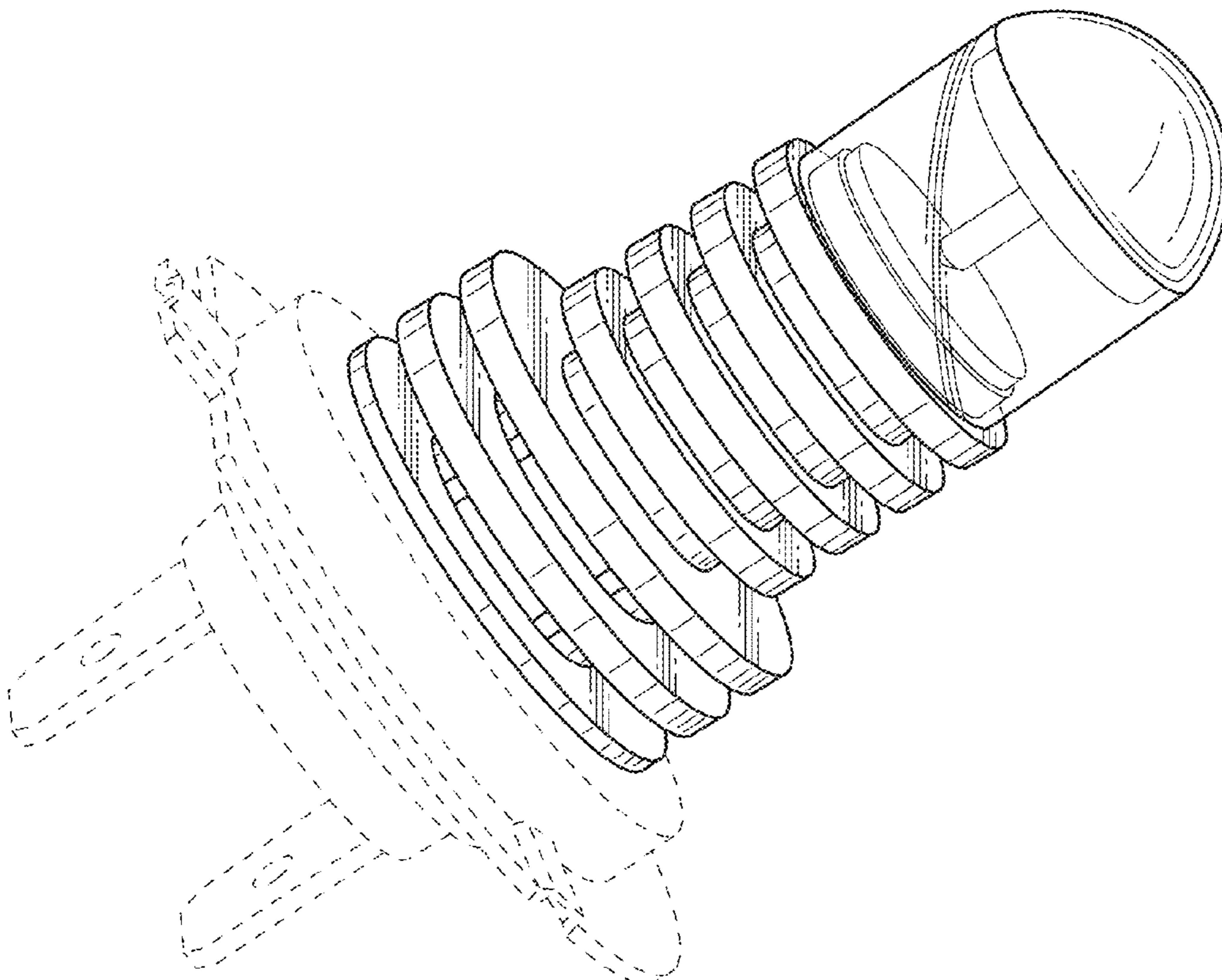
FIG. 4 is a top plan view thereof; and,

FIG. 5 is a bottom plan view thereof.

The broken line disclosure is for environmental purposes only and does not form a part of the claimed design.

See application file for complete search history.

**1 Claim, 4 Drawing Sheets**



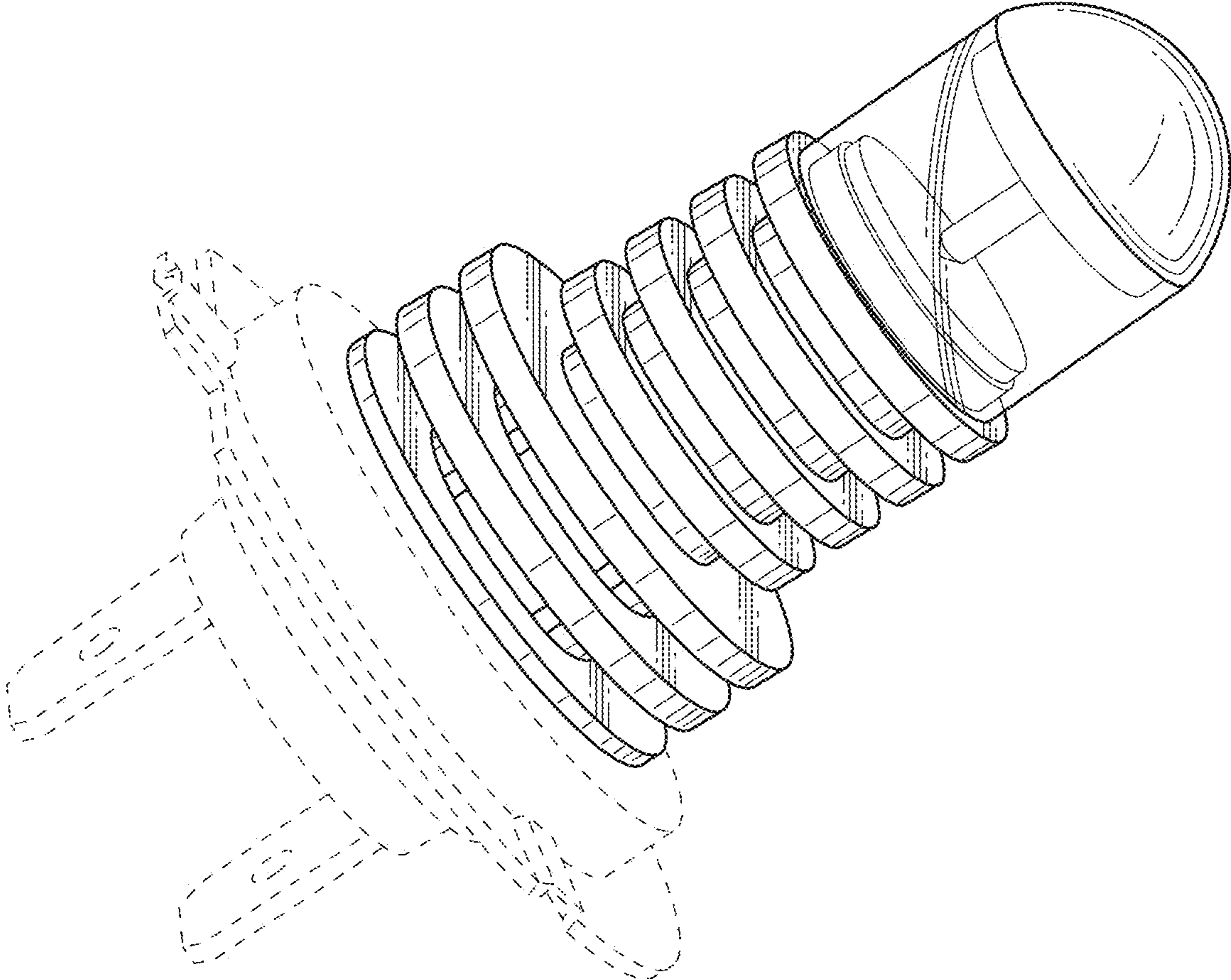


FIG. 1

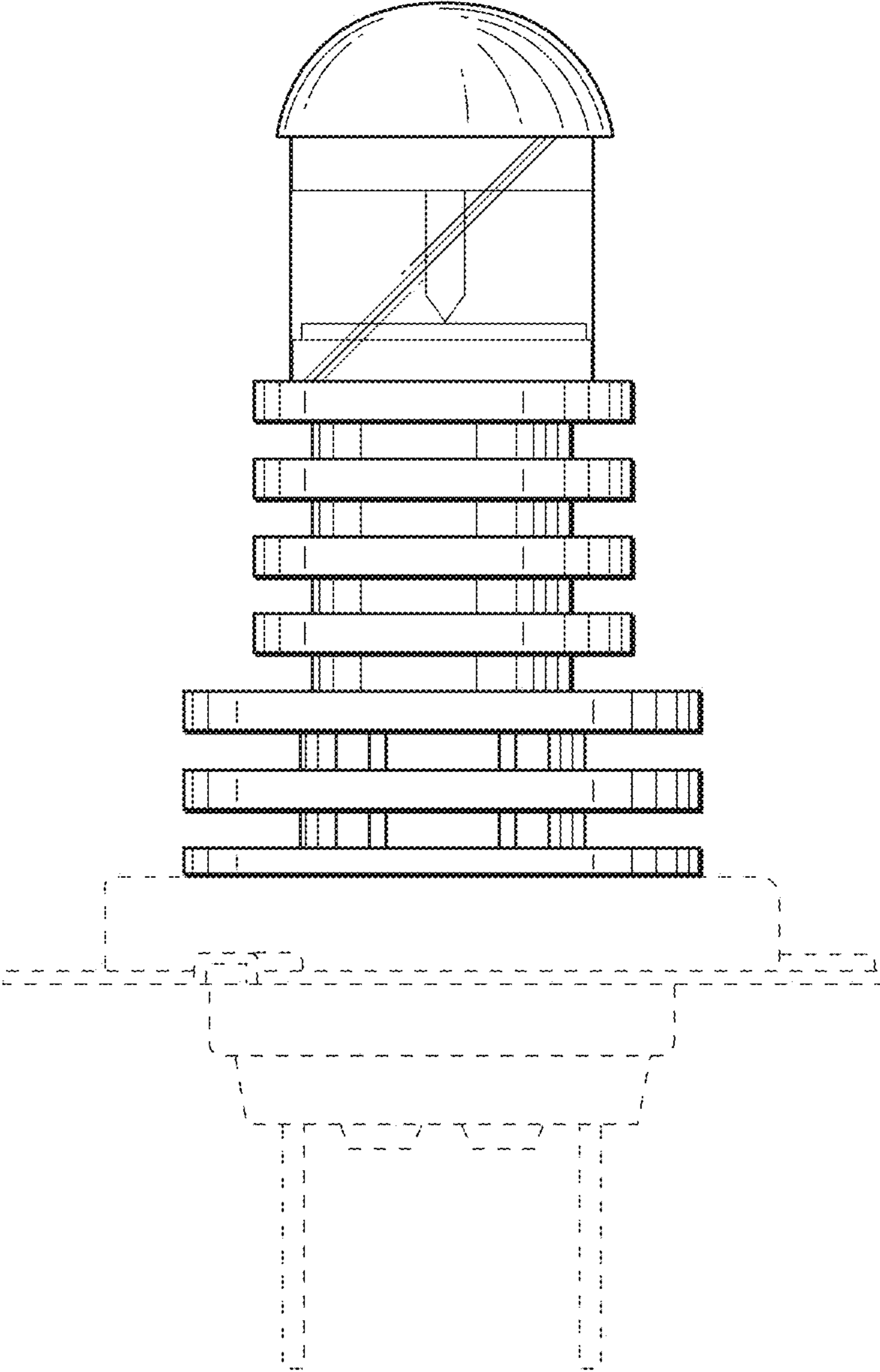


FIG. 2

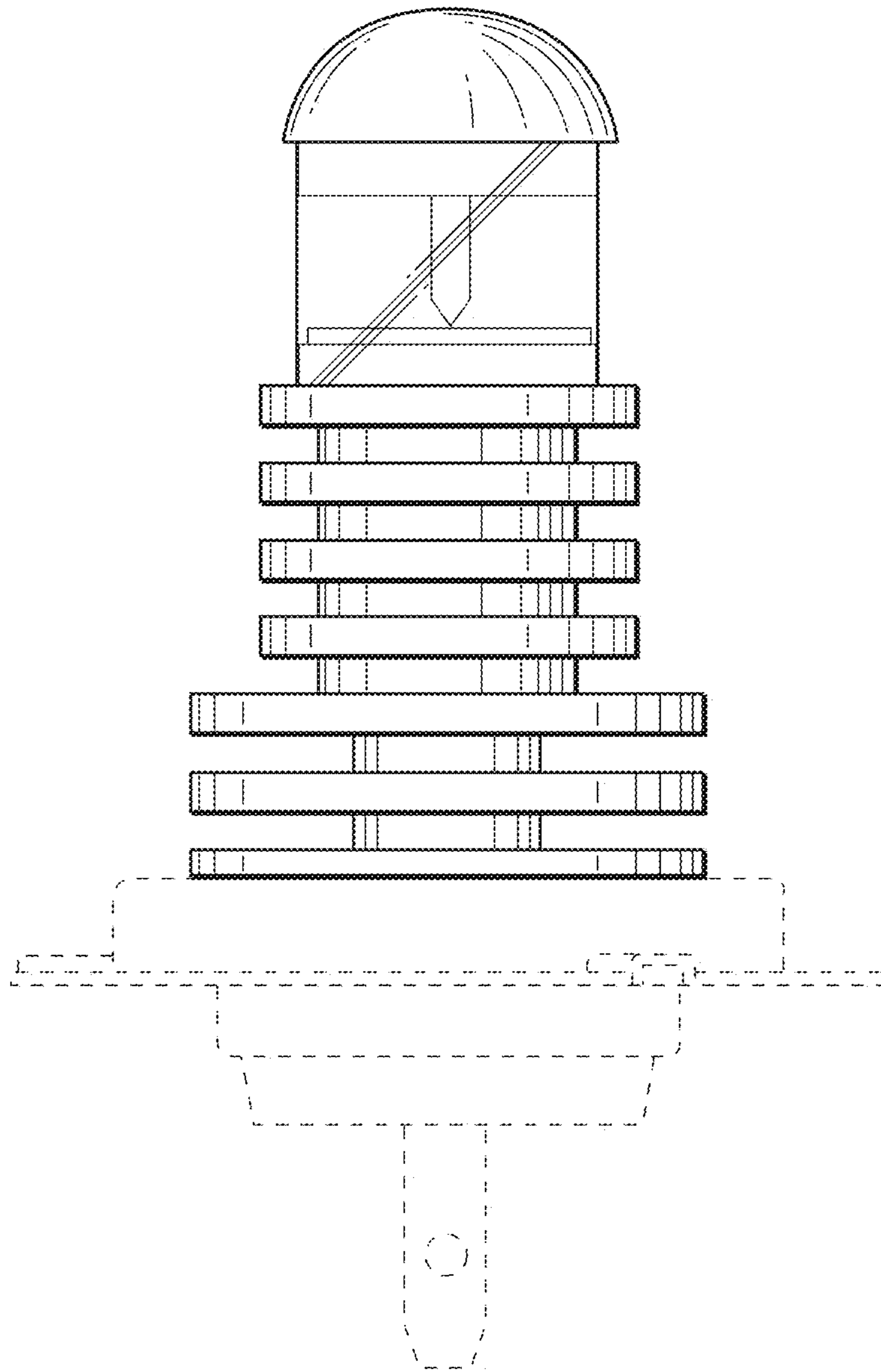


FIG. 3

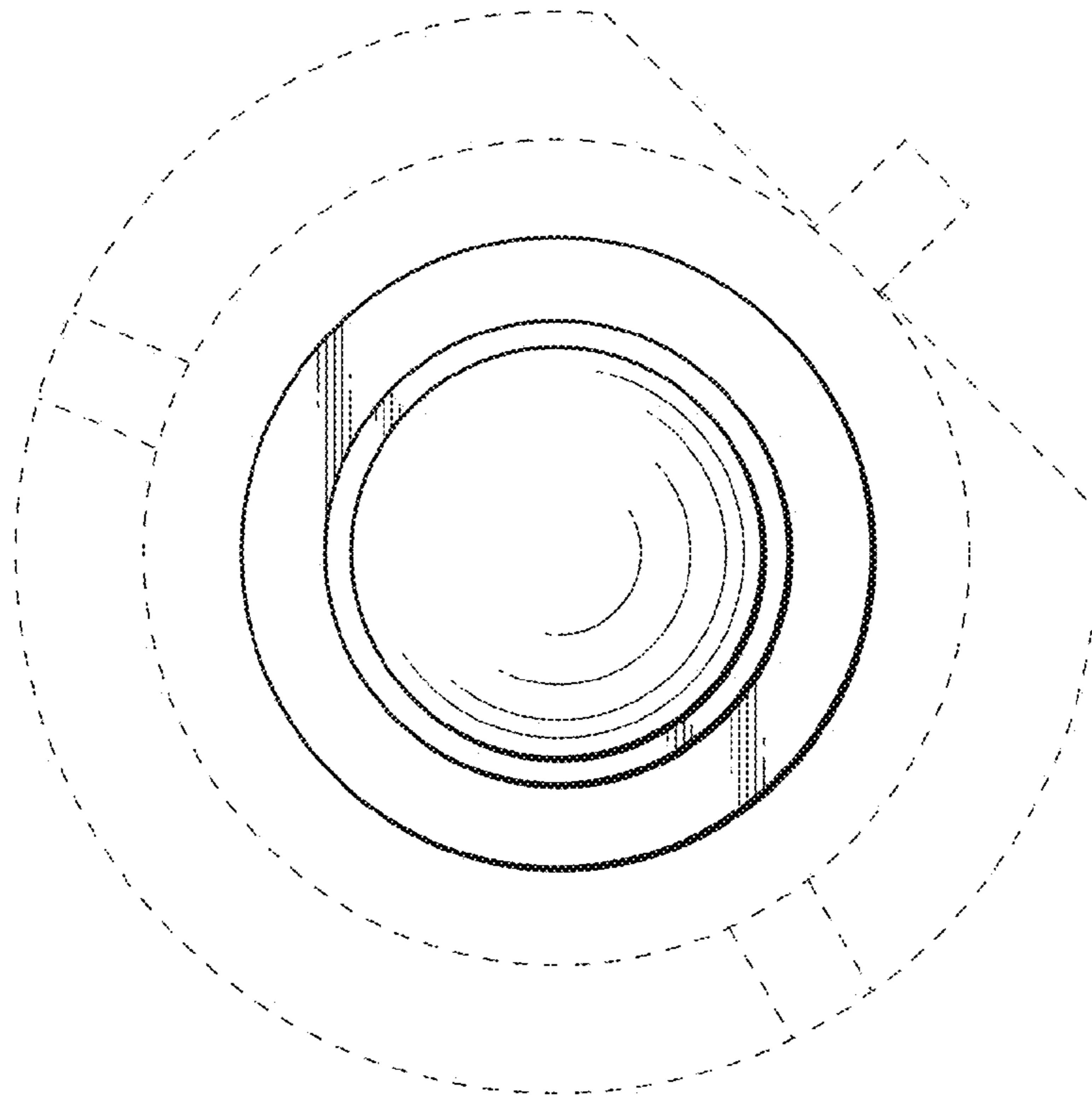


FIG. 4

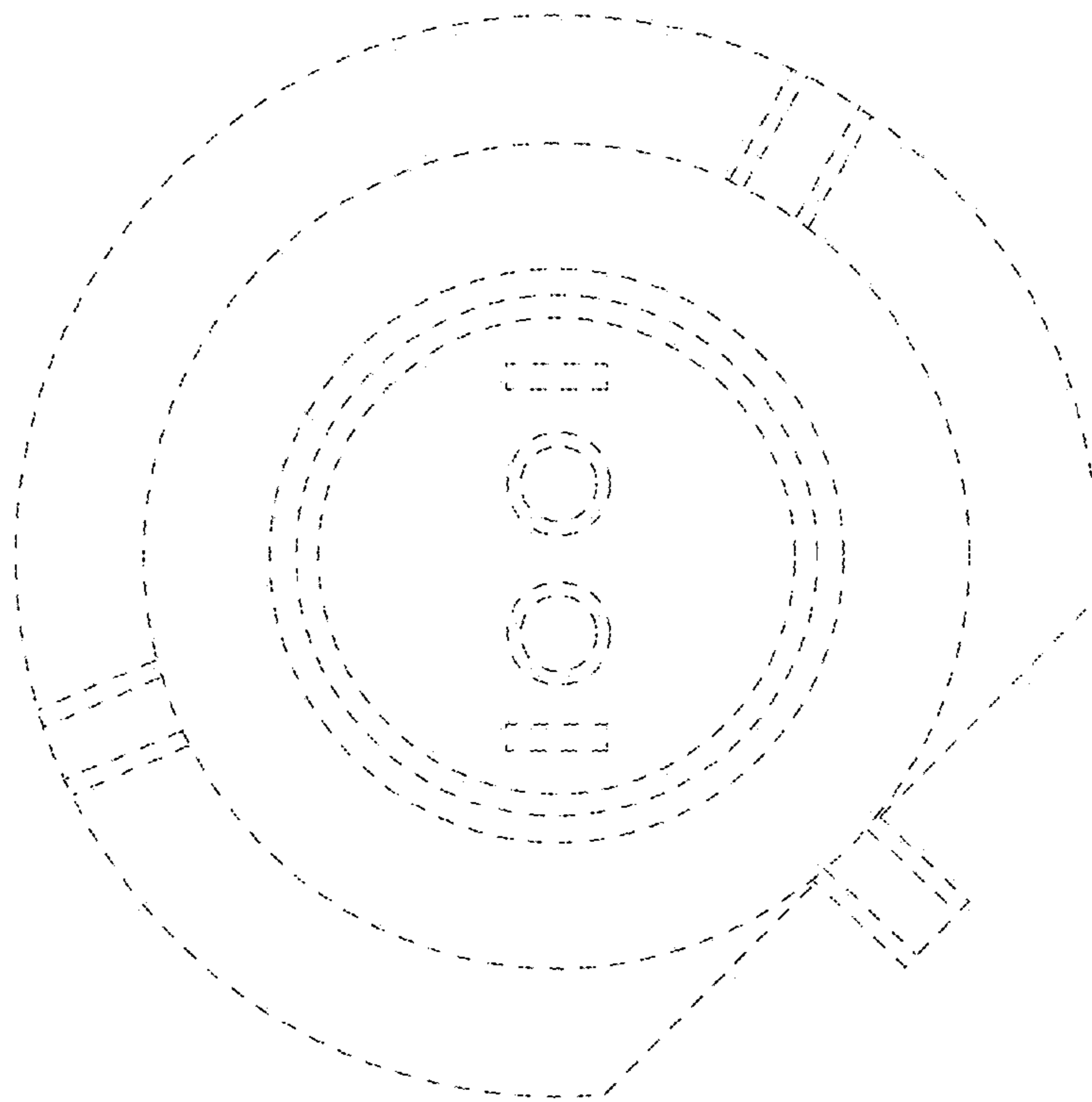


FIG. 5