



US00D946177S

(12) **United States Design Patent**
Jin et al.

(10) **Patent No.:** **US D946,177 S**
(45) **Date of Patent:** **** Mar. 15, 2022**

(54) **LAMP**

(71) Applicant: **LINHAI SHENCHENG**
CHRISTMAS LIGHT FACTORY,
Linhai (CN)

(72) Inventors: **Longjun Jin,** Linhai (CN); **Longcheng**
Jin, Linhai (CN)

(**) Term: **15 Years**

(21) Appl. No.: **29/755,157**

(22) Filed: **Oct. 19, 2020**

(30) **Foreign Application Priority Data**

Sep. 9, 2020 (CN) 202030531428.5

(51) **LOC (13) Cl.** **26-04**

(52) **U.S. Cl.**
USPC **D26/2**

(58) **Field of Classification Search**
USPC D26/1-4
CPC H01R 5/00; H01R 13/46; H01R 13/514;
H01R 31/02; H01R 31/048; H01J 5/00;
H01J 5/16; H01J 1/02; H01J 15/00; H01J
5/48; H01J 5/50; H01J 19/54; F21V 5/00;
F21K 9/00; F21K 13/00

See application file for complete search history.

(56) **References Cited**

U.S. PATENT DOCUMENTS

D392,057 S * 3/1998 Chen D26/2
D405,201 S * 2/1999 Lodhie D26/2
D426,899 S * 6/2000 Au Yeng D26/2
D543,644 S * 5/2007 Bembridge D26/2

* cited by examiner

Primary Examiner — Marcus A Jackson

(57) **CLAIM**

The ornamental design for an lamp, as shown and described.

DESCRIPTION

FIG. 1 is a front and top perspective view of an lamp,
showing our new design;

FIG. 2 is a rear and bottom perspective view thereof;

FIG. 3 is a front elevational view thereof;

FIG. 4 is a rear elevational view thereof;

FIG. 5 is a left side elevational view thereof;

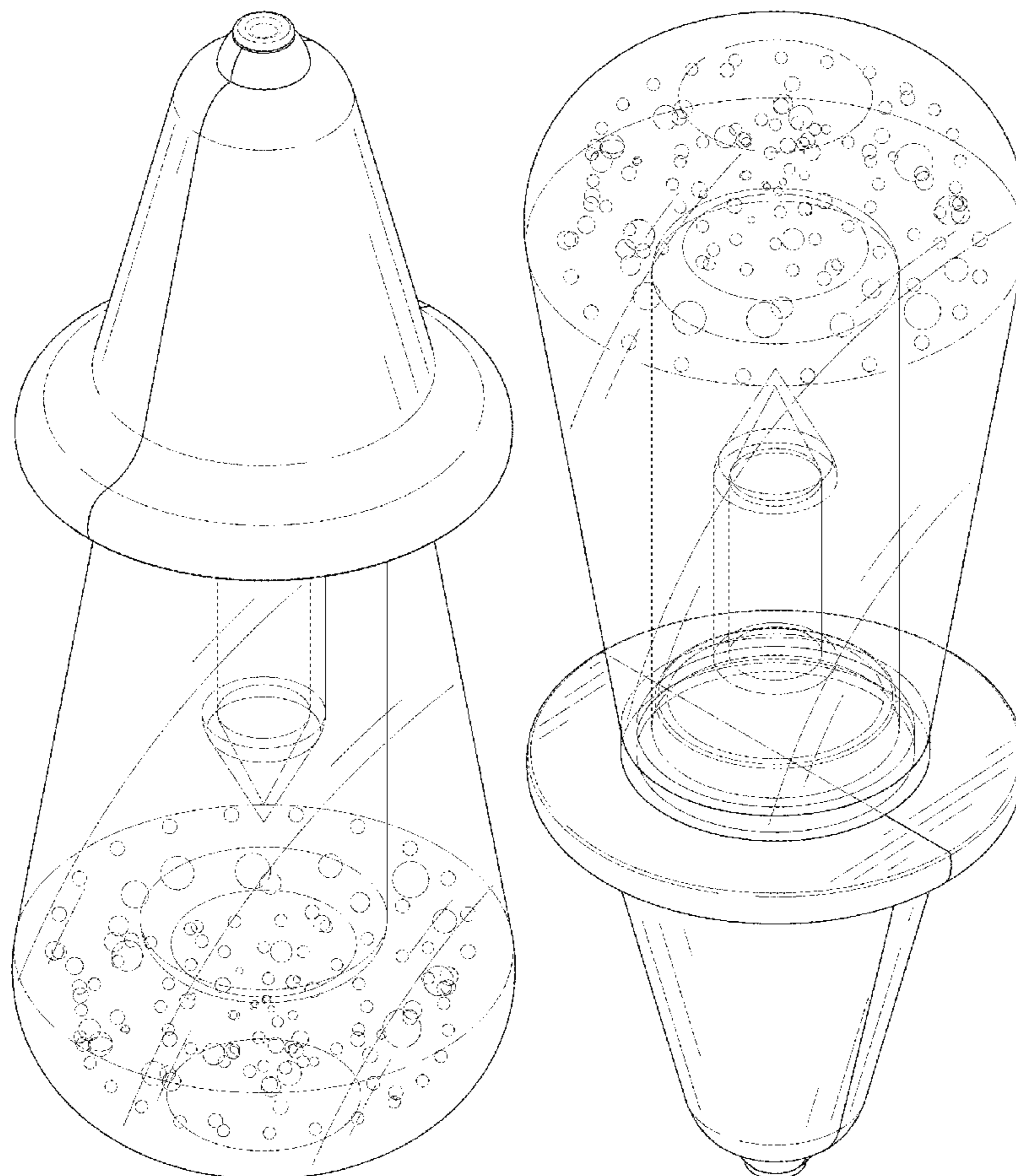
FIG. 6 is a right side elevational view thereof;

FIG. 7 is a top plan view thereof; and,

FIG. 8 is a bottom plan view thereof.

The broken lines in the figures illustrate portions of the
article that form no part of the claimed design.

1 Claim, 8 Drawing Sheets



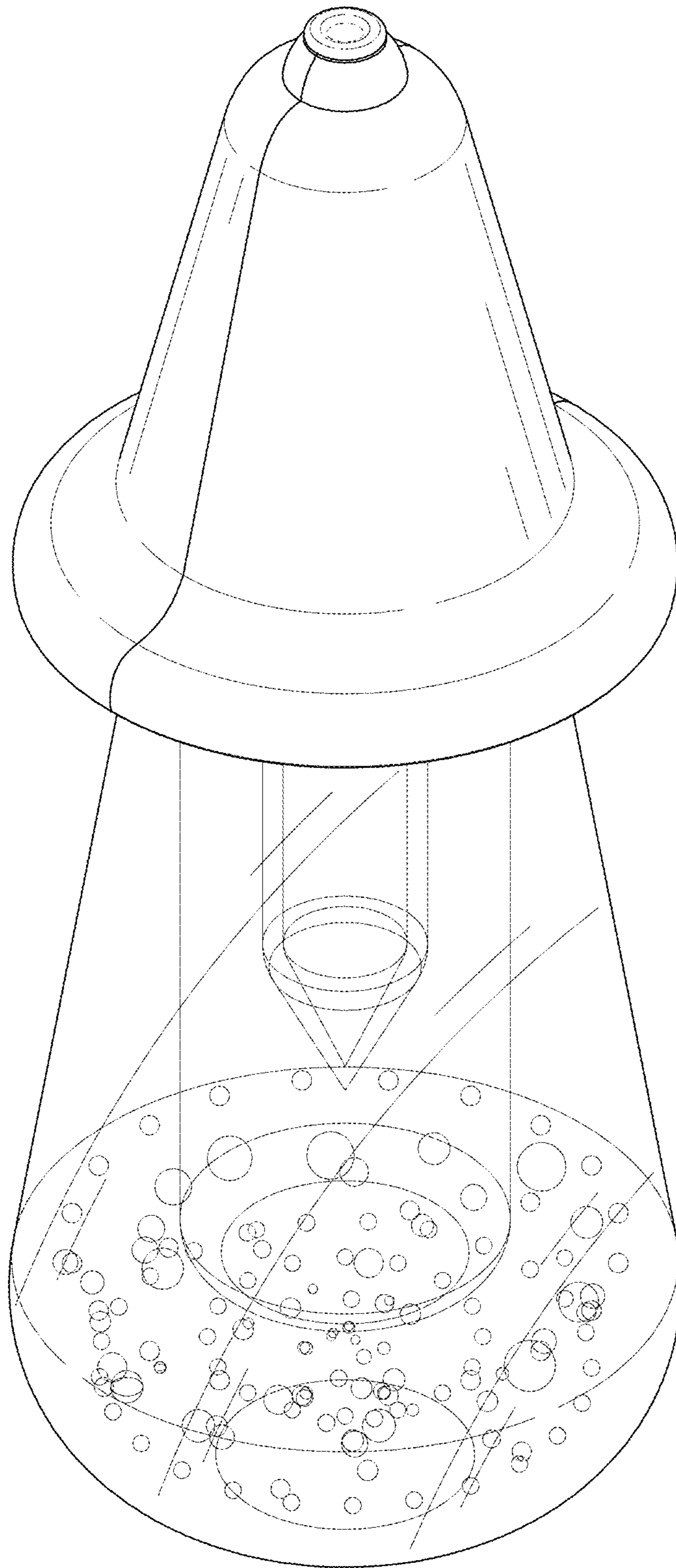


FIG. 1

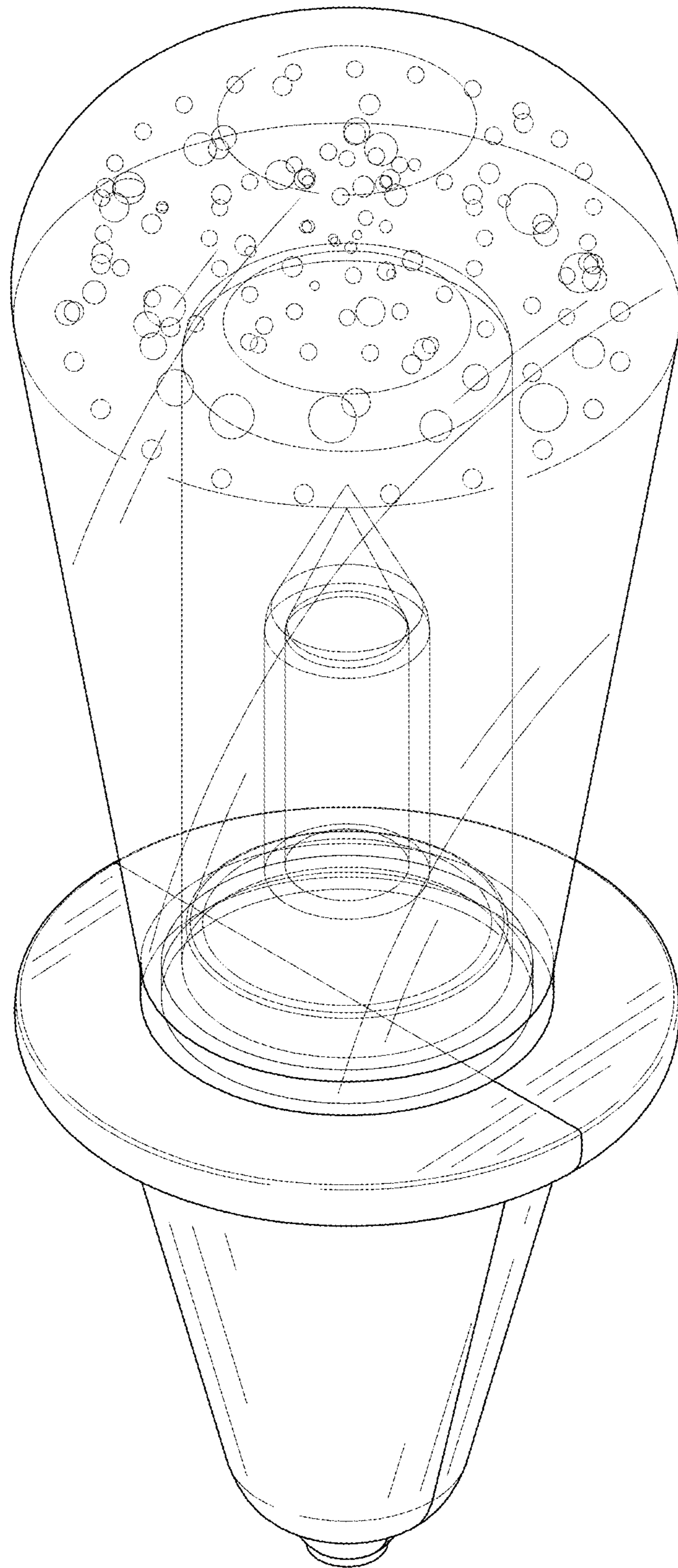


FIG. 2

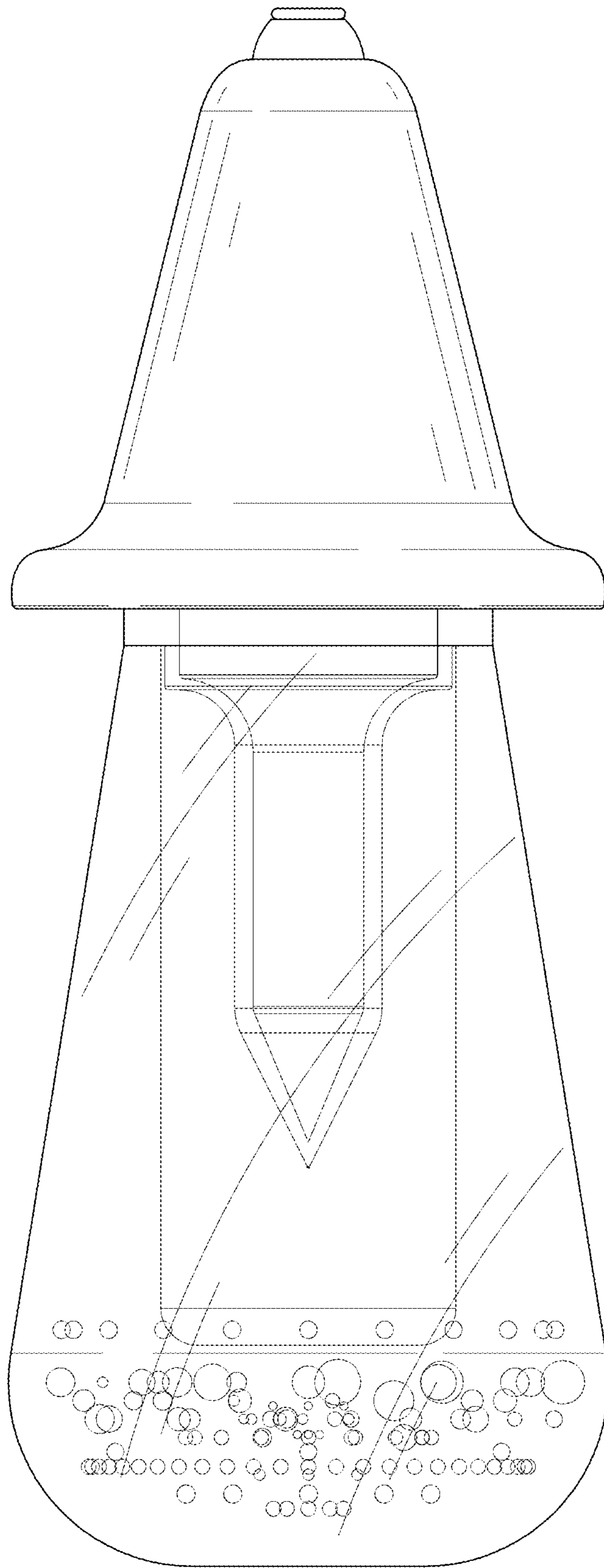


FIG. 3

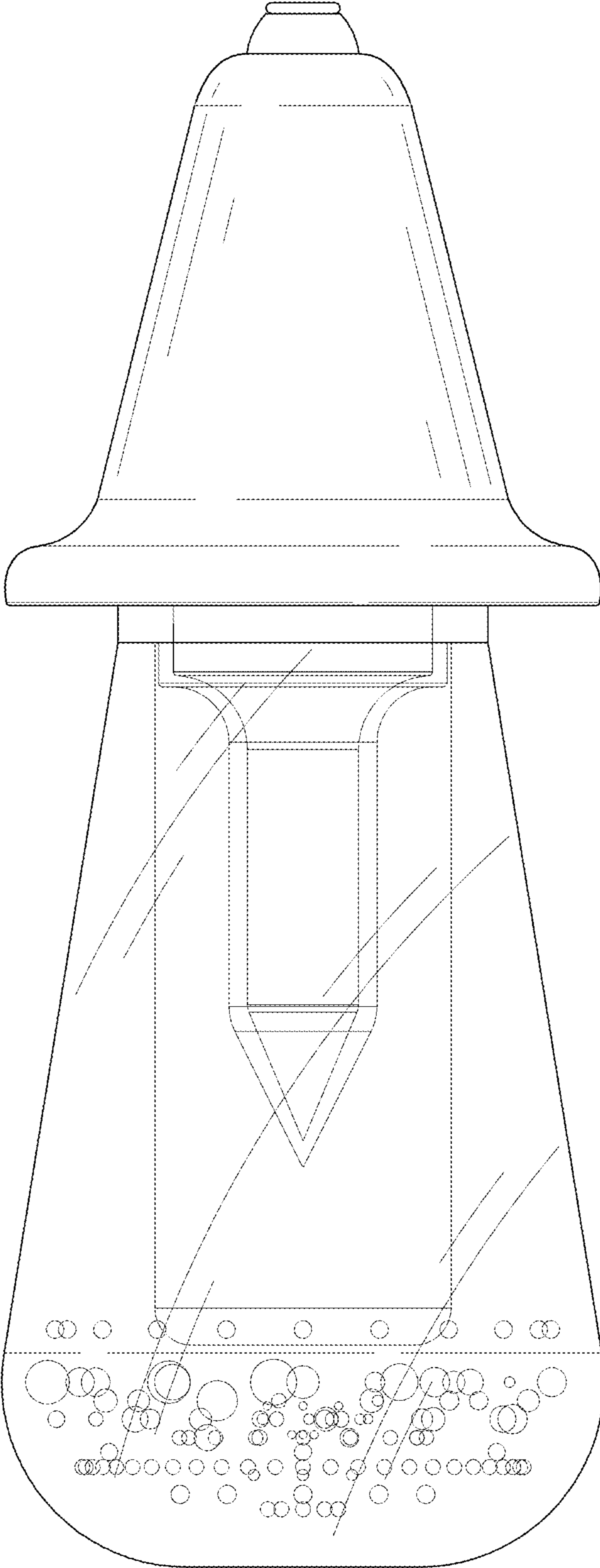


FIG. 4

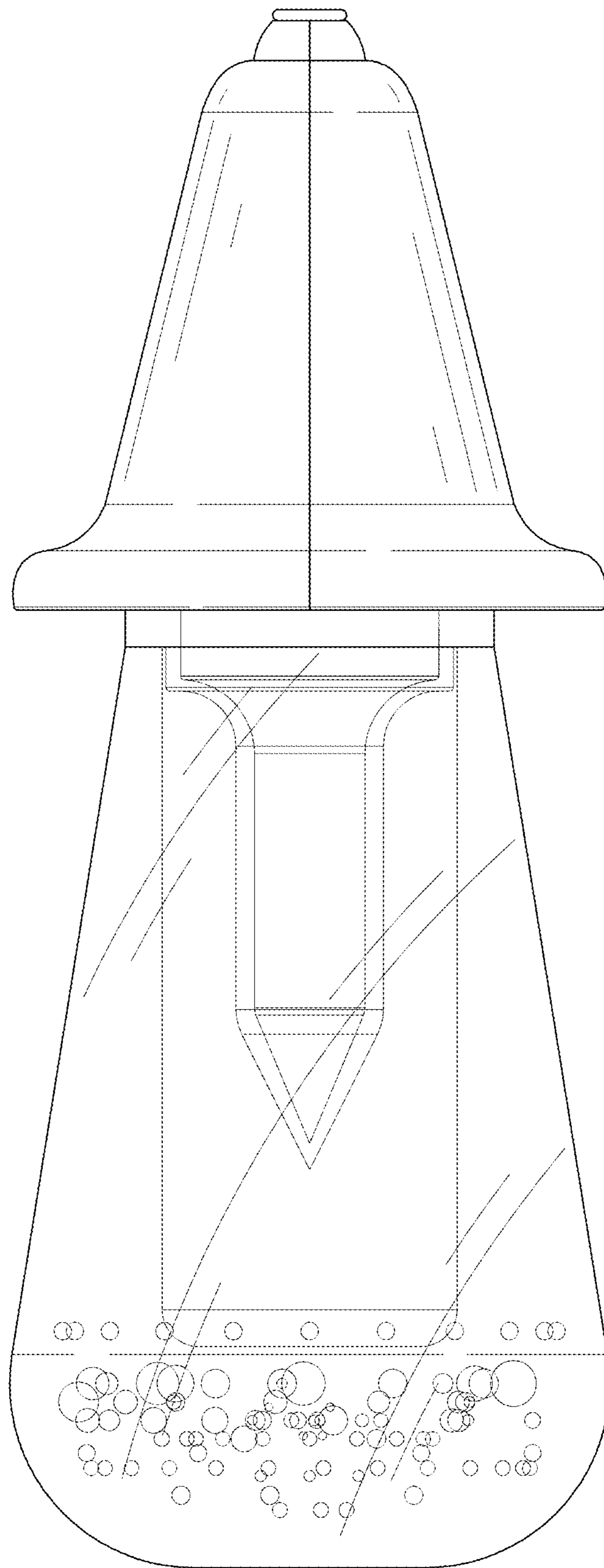


FIG. 5

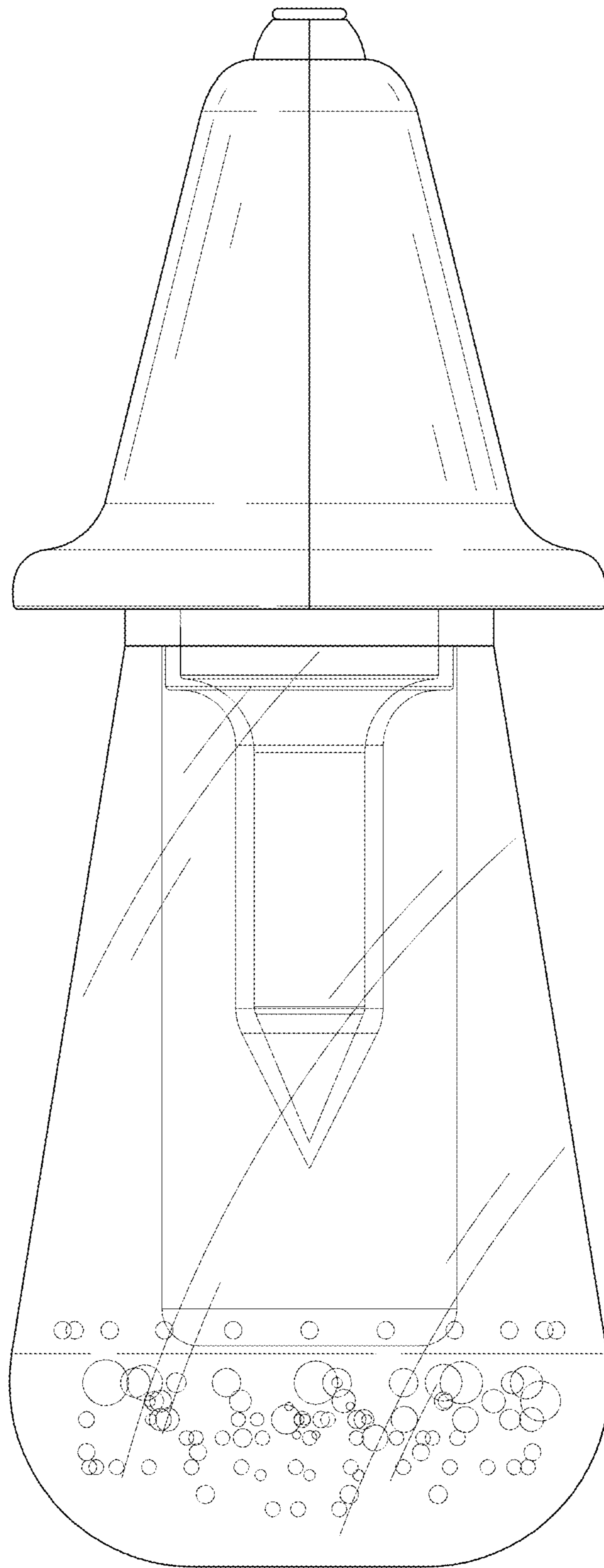


FIG. 6

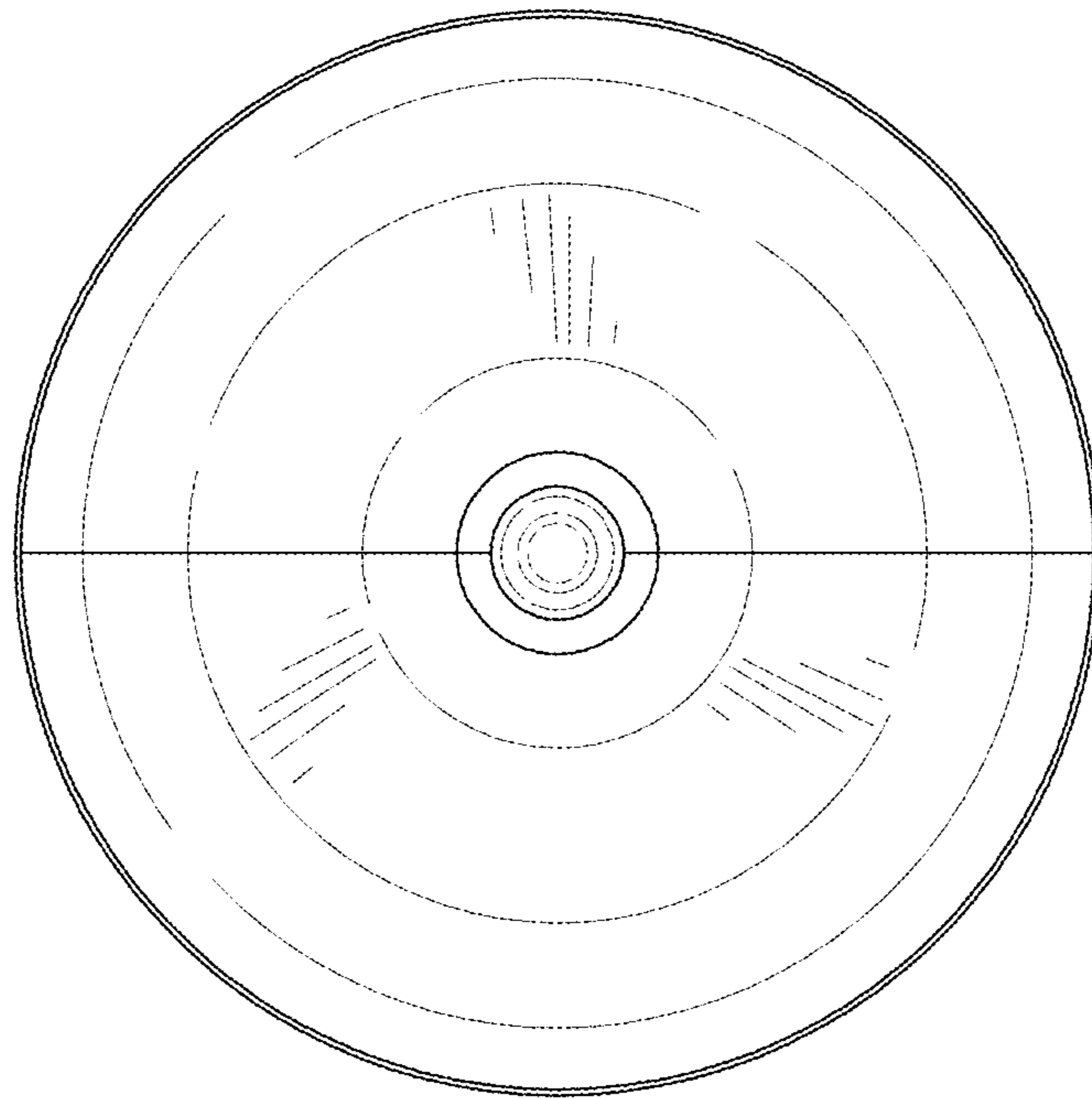


FIG. 7

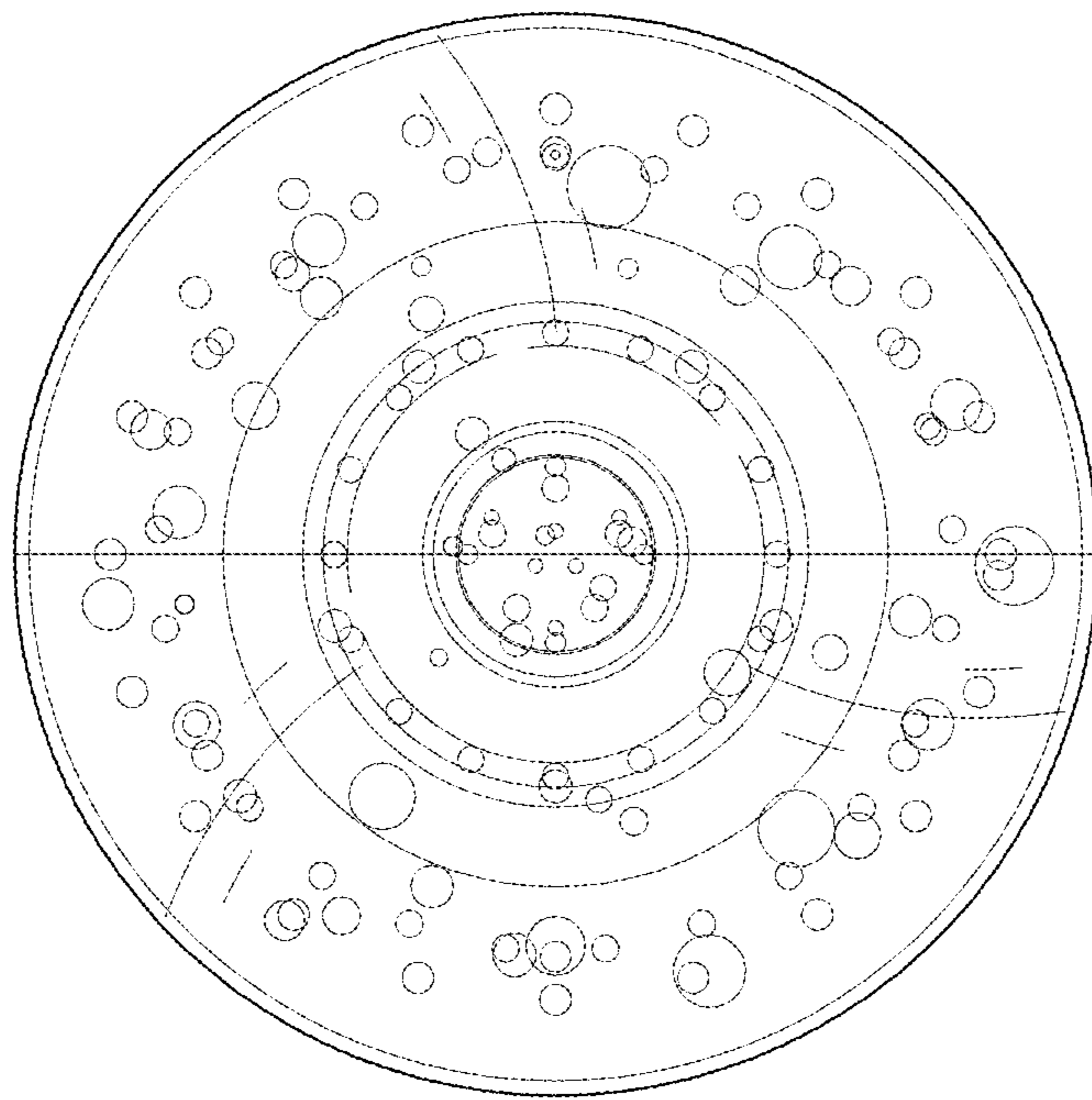


FIG. 8