



US00D946175S

(12) **United States Design Patent** (10) **Patent No.:** **US D946,175 S**
Segall et al. (45) **Date of Patent:** **** Mar. 15, 2022**

(54) **HOUSING UNIT**

(71) Applicant: **Strategic Operations, Inc.**, San Diego, CA (US)

(72) Inventors: **Stuart C. Segall**, La Jolla, CA (US);
Cory Wessberg Segall, La Jolla, CA (US)

(**) Term: **15 Years**

(21) Appl. No.: **29/737,994**

(22) Filed: **Jun. 13, 2020**

(51) **LOC (13) Cl.** **25-03**

(52) **U.S. Cl.**
USPC **D25/59; D25/33**

(58) **Field of Classification Search**
USPC D25/1, 4, 22, 32-35, 16, 31, 58-60
CPC E04H 2001/1283; E04H 1/1205; E04H 1/005; E04H 1/02; E04H 1/12
See application file for complete search history.

(56) **References Cited**

U.S. PATENT DOCUMENTS

D85,317 S *	10/1931	Bemis	D25/22
D93,797 S *	11/1934	Smith, Jr.	D25/33
D131,952 S *	4/1942	Bolenbach	D12/103
2,990,588 A *	7/1961	McKinley	E04B 1/34336 52/143
3,432,978 A *	3/1969	Erickson	E04B 1/06 D25/58
D471,285 S *	3/2003	Dixon	D25/59
D484,613 S *	12/2003	da Costa	D25/33
D529,186 S *	9/2006	Fullelove	D25/33
D610,266 S *	2/2010	Strehler	D25/33
D626,659 S *	11/2010	Ferko, III	D25/33
D700,356 S *	2/2014	Svensson	D25/32

(Continued)

FOREIGN PATENT DOCUMENTS

CN	303076359	*	1/2015
SI	9950087-0002	*	4/2000

OTHER PUBLICATIONS

Kottage RV Shipping Container Home, Oct. 13, 2014 (comment), Tiny House Blog, <https://tinyhouseblog.com/park-model-homes/kottage-rv-container-home> (Year: 2014).*

(Continued)

Primary Examiner — Brett Miller

(74) *Attorney, Agent, or Firm* — Enrique A. Monteagudo, Esq.

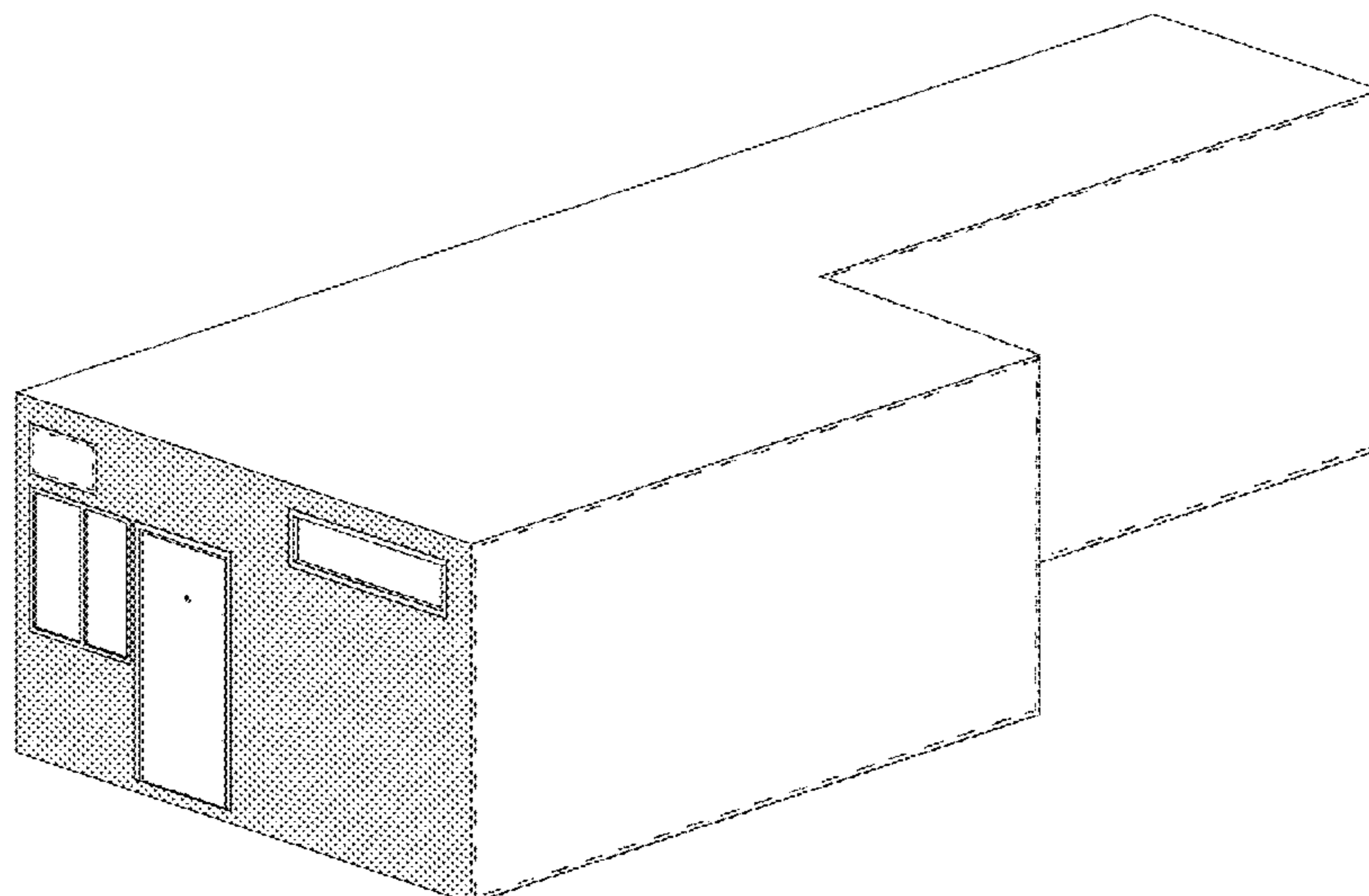
(57) **CLAIM**

The ornamental design for a housing unit, as shown and described.

DESCRIPTION

FIG. 1 is an upper left corner perspective view of a housing unit, showing the new design, according to one embodiment; FIG. 2 is a detail view thereof, showing a brick surface; FIG. 3 is a right side elevational view thereof; FIG. 4 is a top plan view thereof. FIG. 5 is left side elevational view thereof; FIG. 6 is front view thereof; and FIG. 7 is a back view thereof. FIG. 8 is an upper right corner perspective view of the housing unit, showing the new design, according to one embodiment; FIG. 9 is a back view thereof; FIG. 10 is front view thereof; FIG. 11 is a right side elevational view thereof; FIG. 12 is a top plan view thereof; and, FIG. 13 is a left side elevational view thereof. It is understood the modified design of FIGS. 8 through 13 is a mirror image of the design of FIGS. 1 through 7. The broken lines depict portions of the housing unit that form no part of the claimed design.

1 Claim, 5 Drawing Sheets



(56)

References Cited

U.S. PATENT DOCUMENTS

D763,465 S * 8/2016 Bakshi D25/33
D771,274 S * 11/2016 Breen D25/22
9,920,512 B1 * 3/2018 Eisold E04H 1/04
D829,925 S * 10/2018 Labesque D25/33
D831,225 S * 10/2018 Ishizawa D25/33
D844,838 S * 4/2019 Li D25/33
D845,508 S * 4/2019 Gill D25/33
D852,377 S * 6/2019 Gill D25/33
2009/0145079 A1 * 6/2009 Garcia, Velez Y Cortazar
E04H 1/005
52/745.19
2011/0041418 A1 * 2/2011 Meserini E04H 1/02
52/79.9
2017/0356182 A1 * 12/2017 Caffaratti Giro E04H 1/12

OTHER PUBLICATIONS

Minette Hand, A 480-Square-Foot Backyard Shipping Container House Nails Small Space Style, Mar. 11, 2020, Apartment Therapy, <https://www.apartmenttherapy.com/480-square-foot-backyard-shipping-container-house-36719177> (Year: 2020).*

* cited by examiner

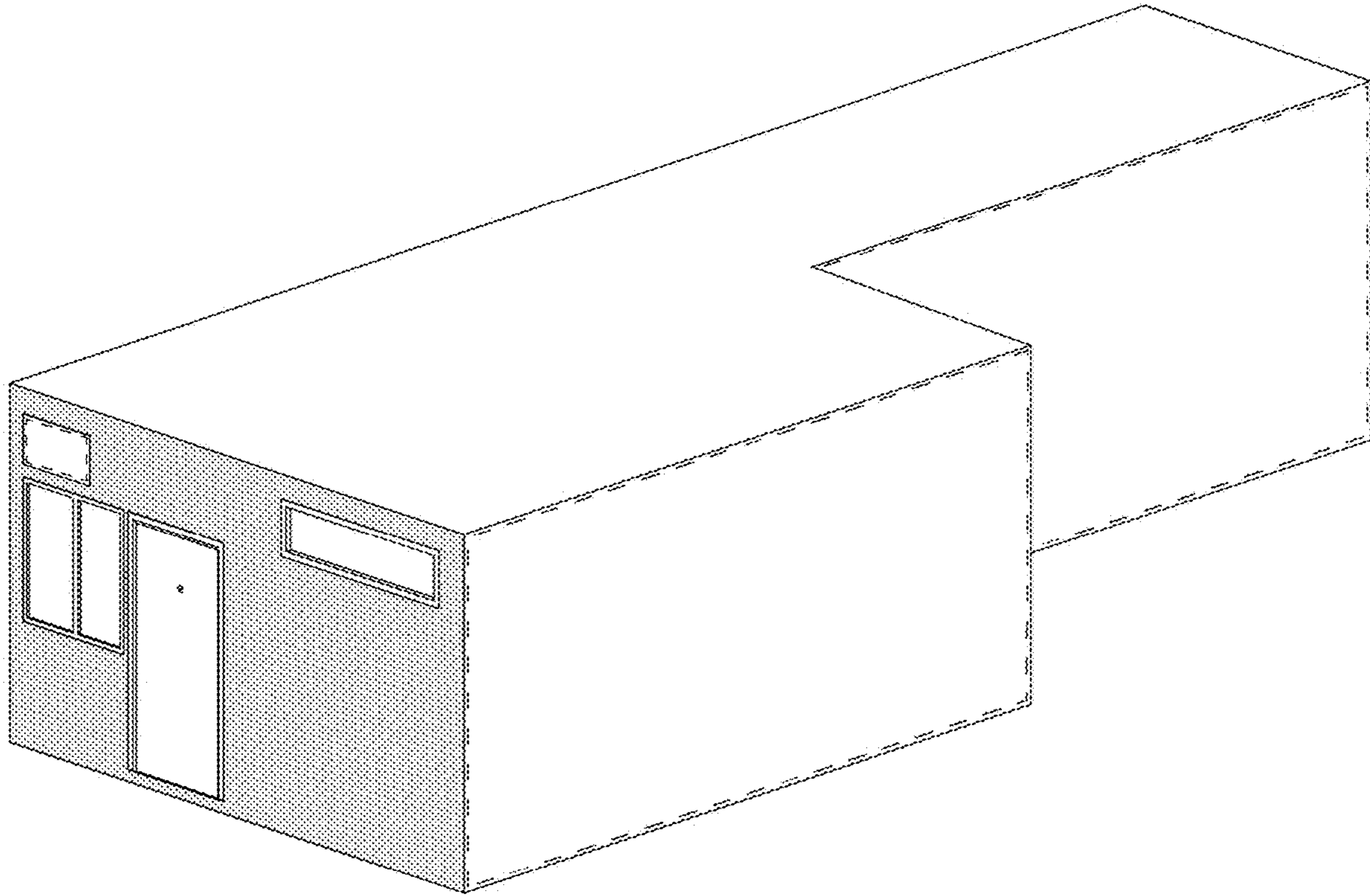


FIG 1

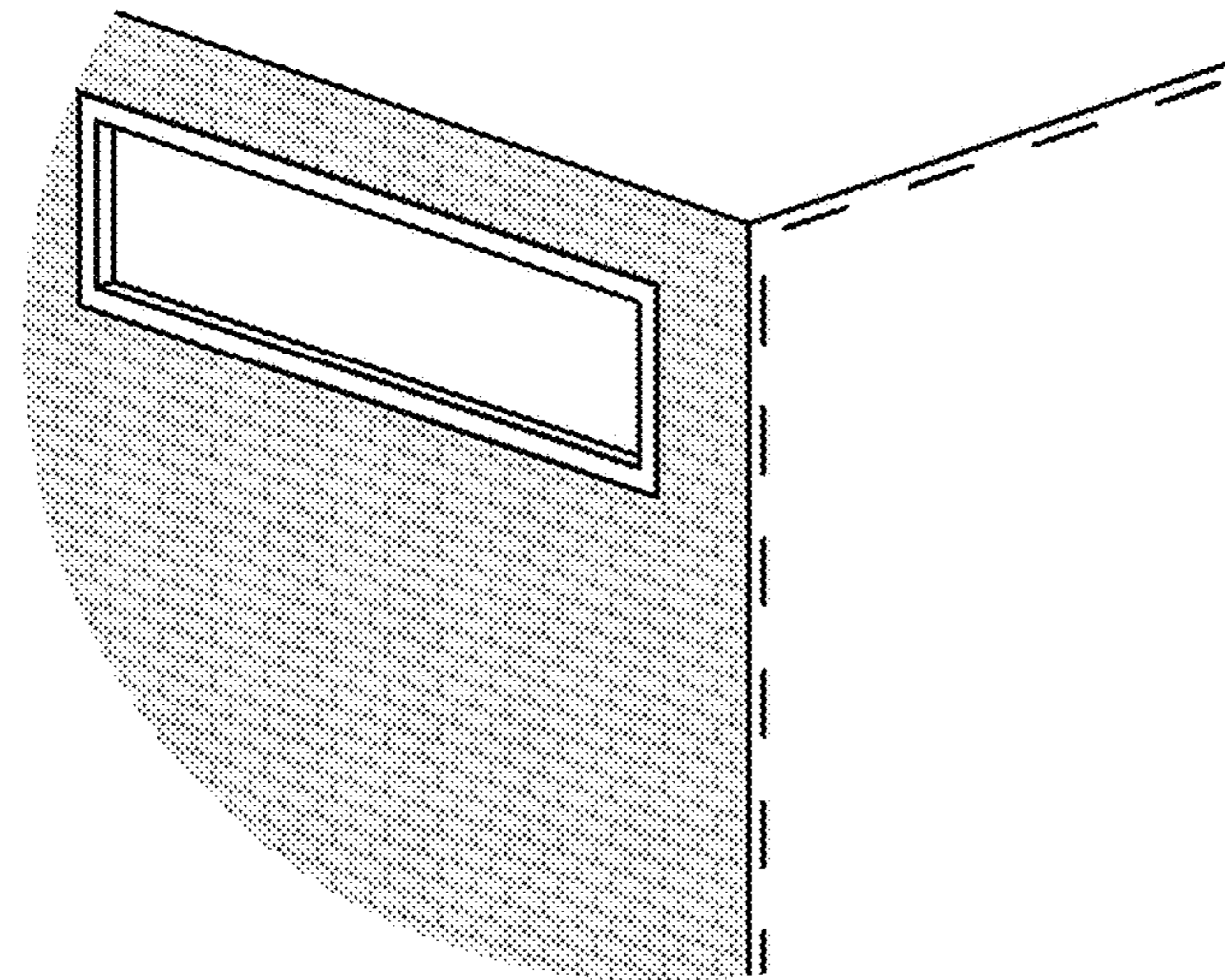


FIG 2

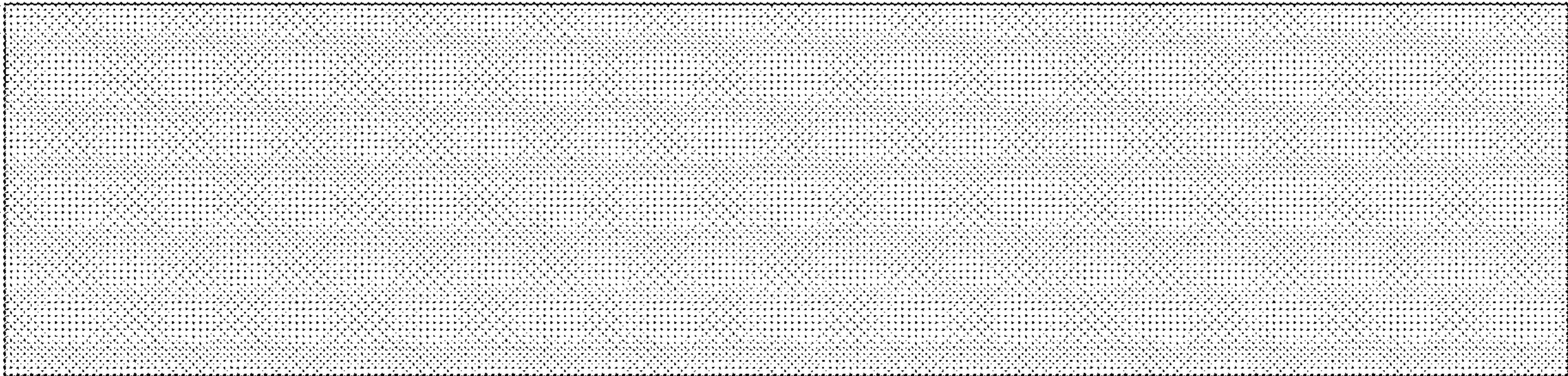


FIG 3

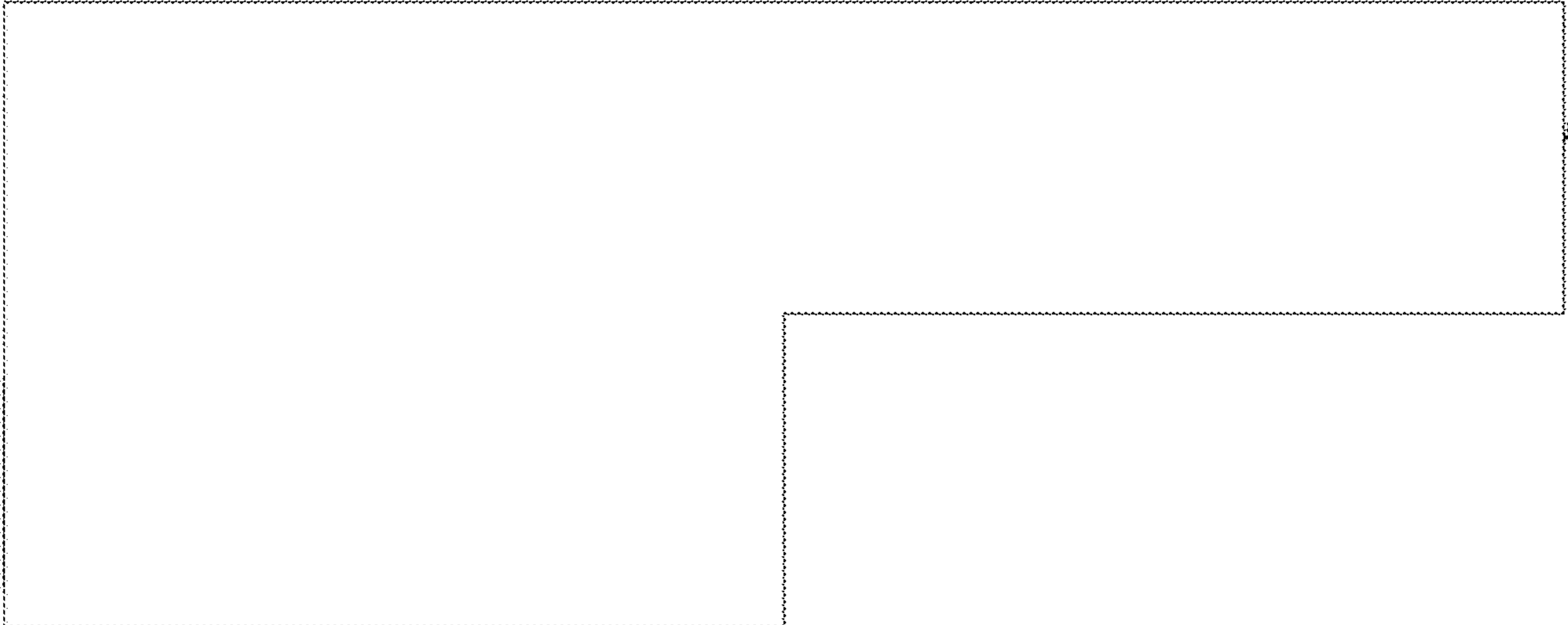


FIG 4

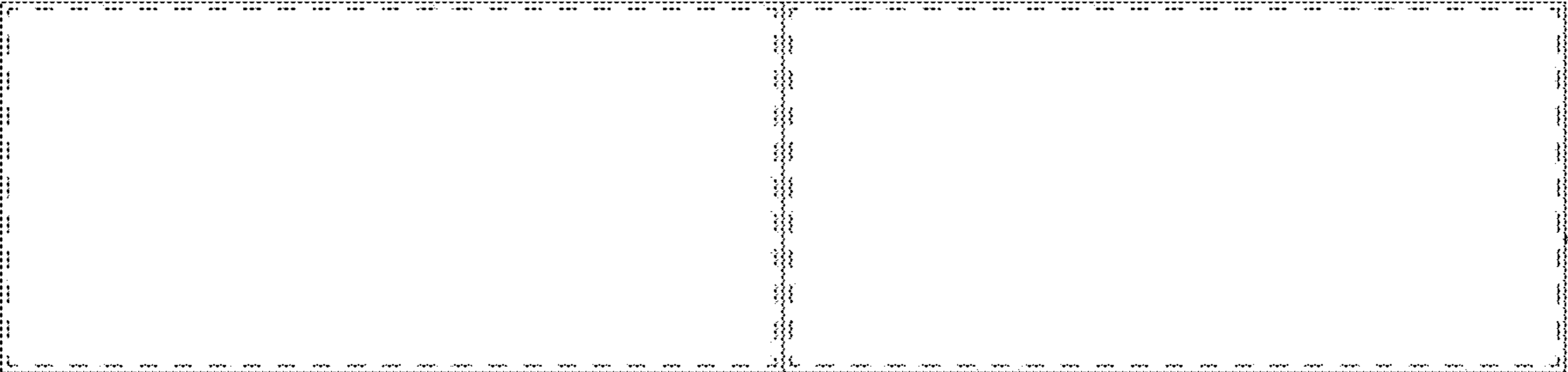


FIG 5

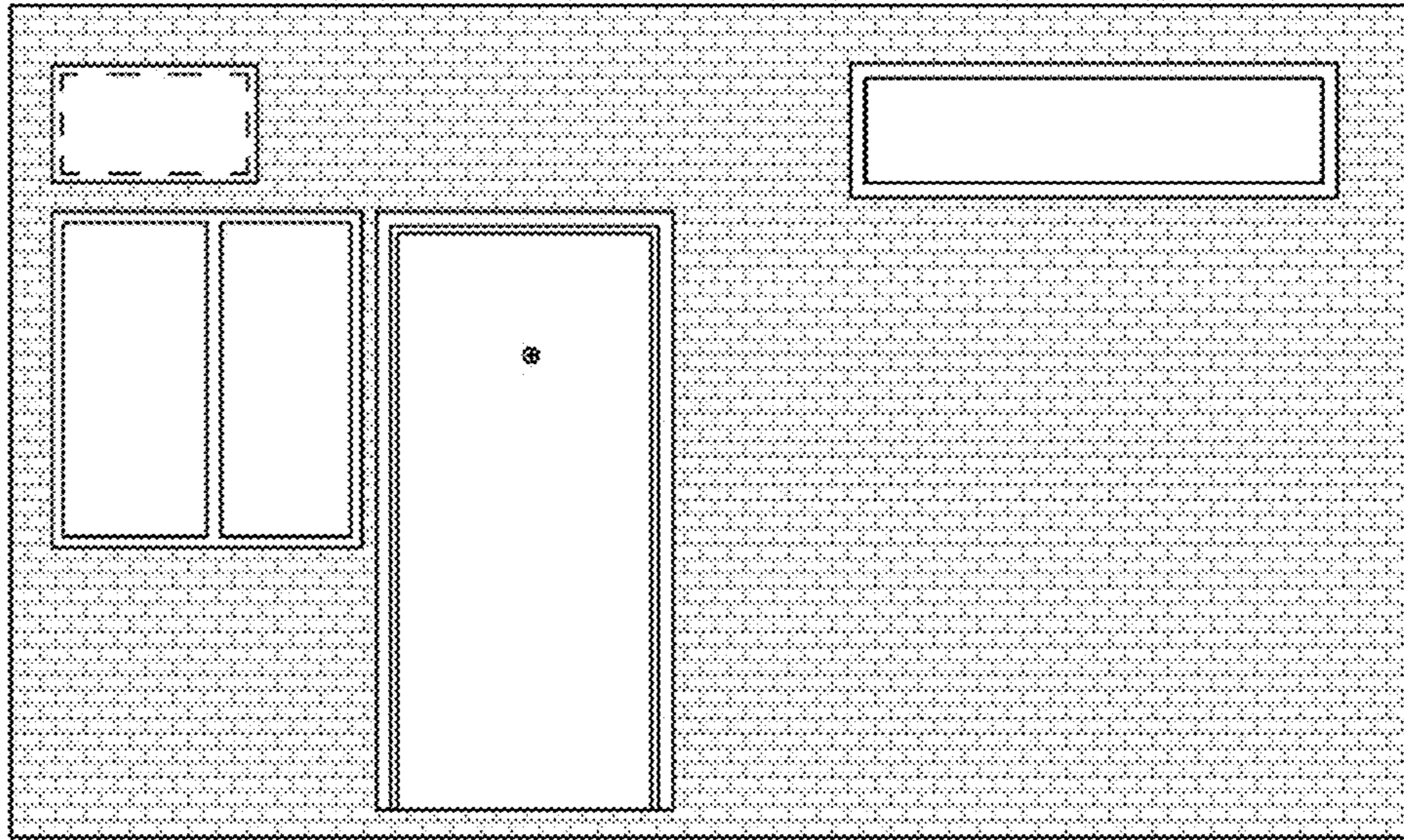


FIG 6

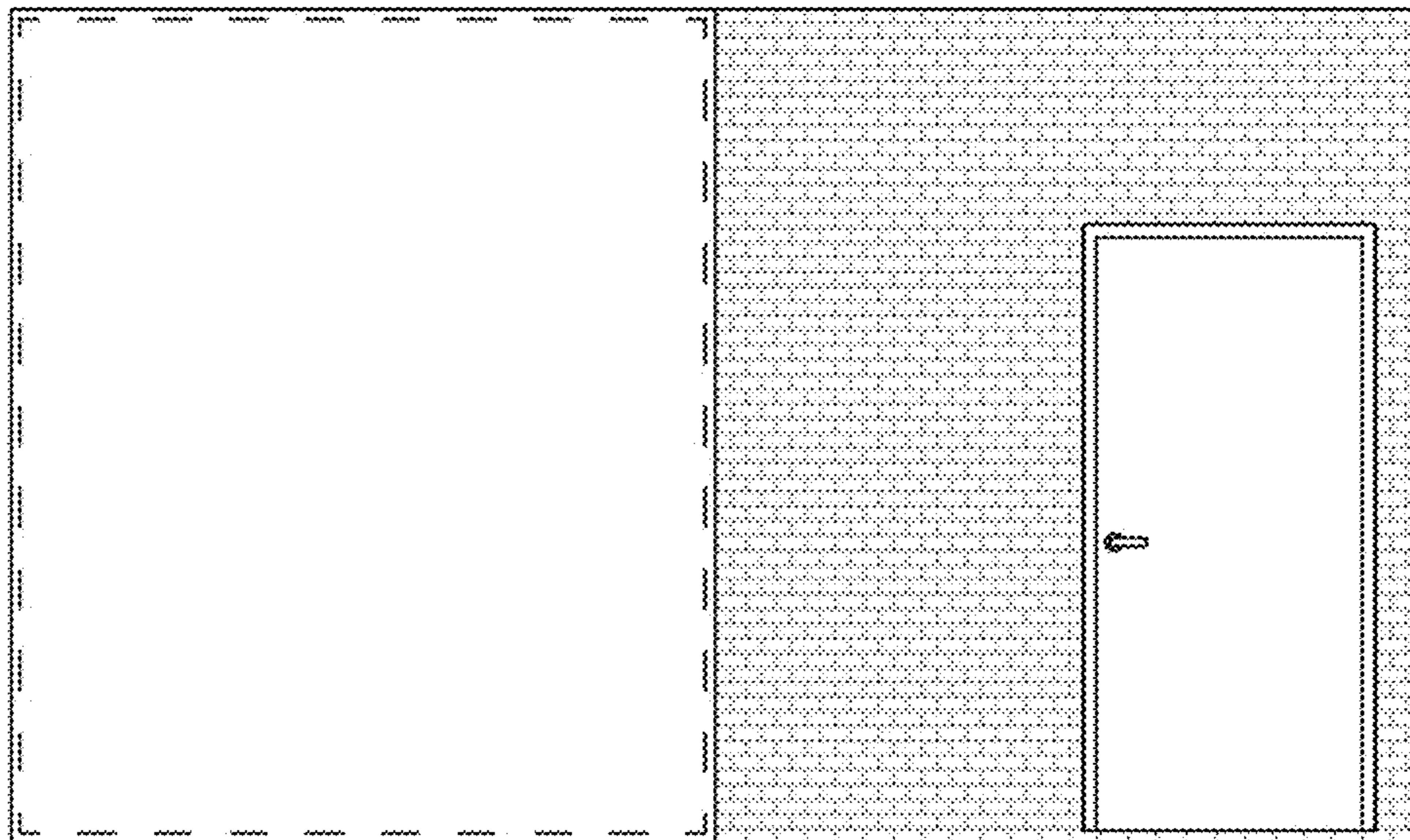


FIG 7

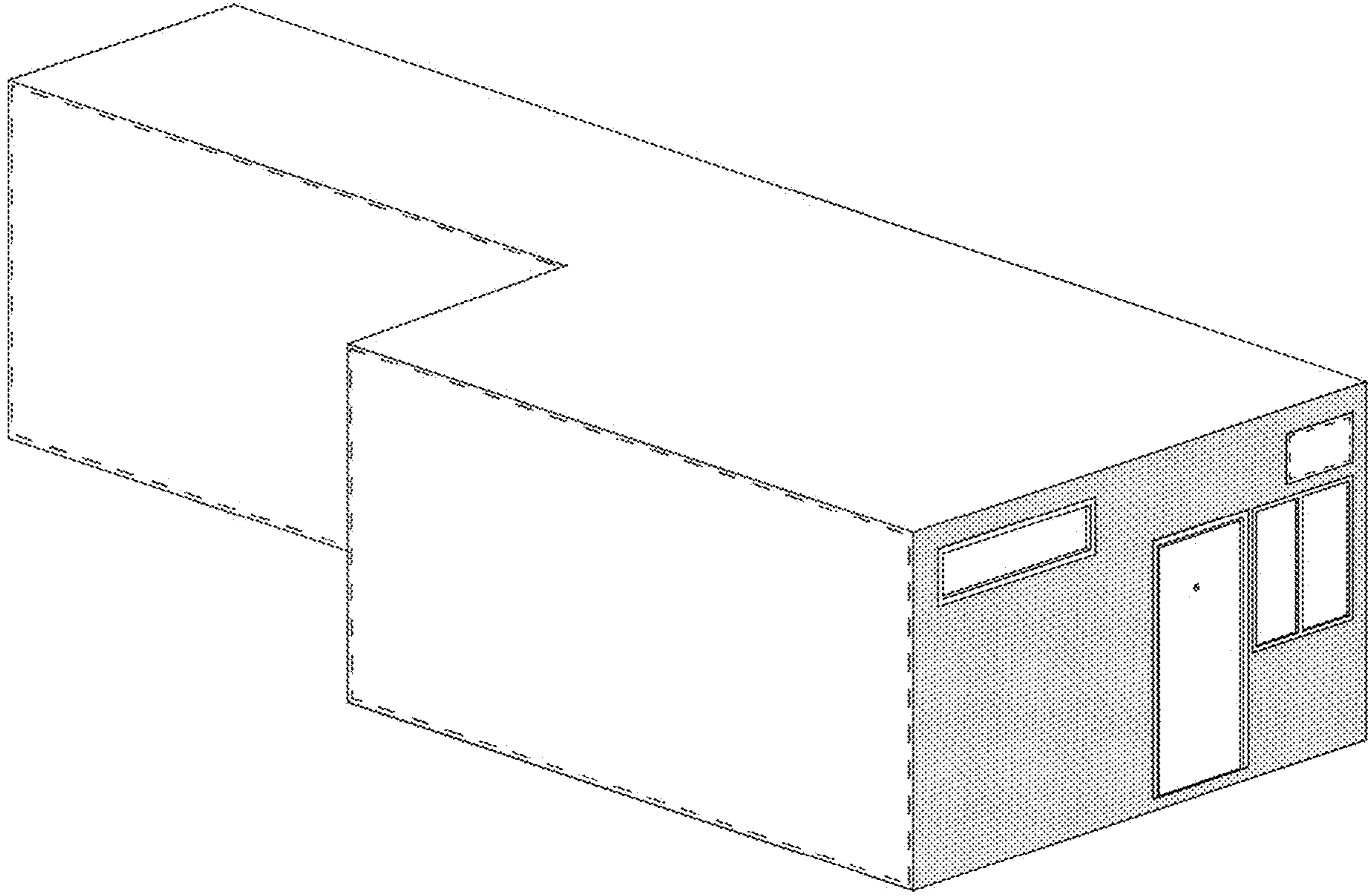


FIG 8

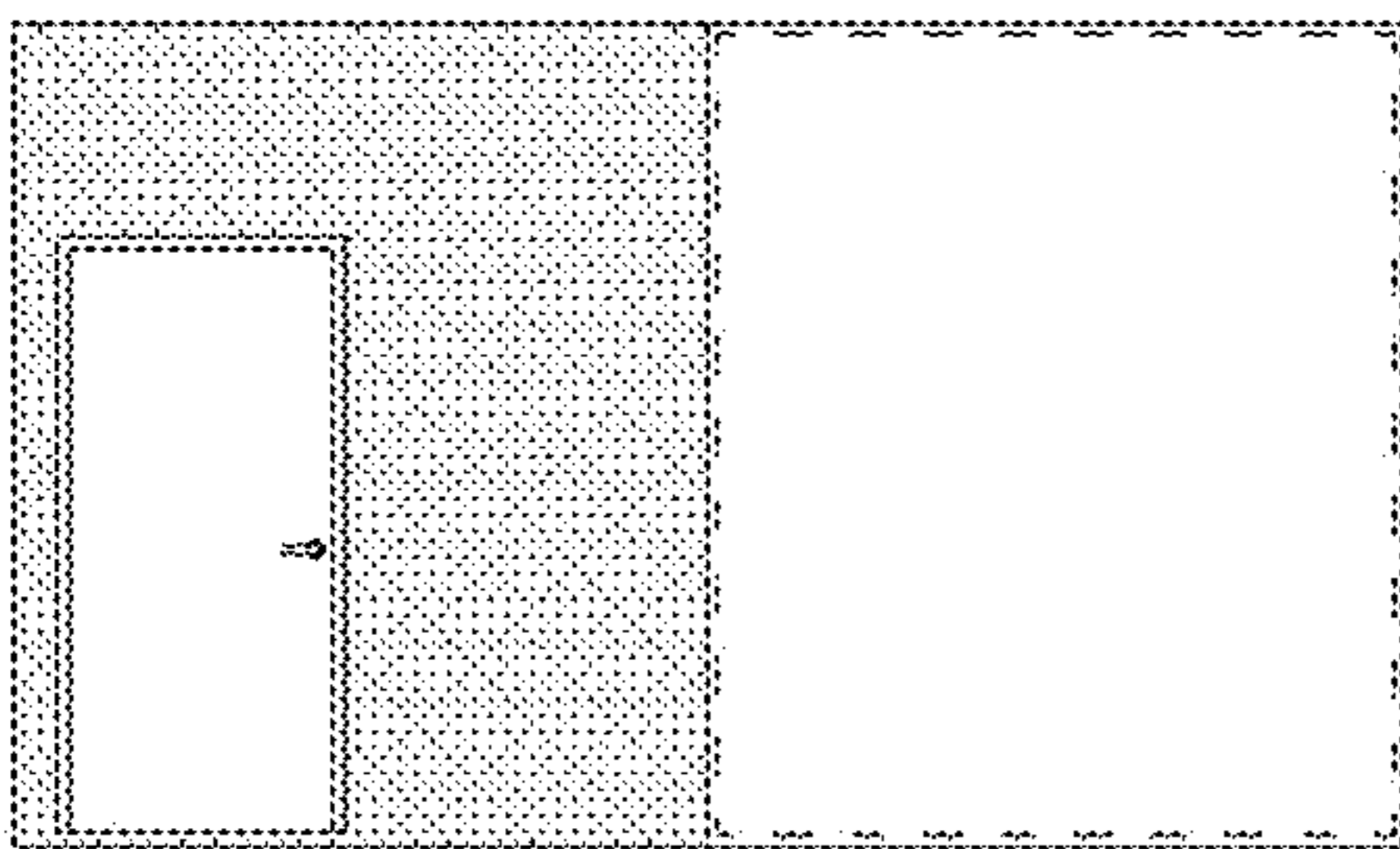


FIG 9

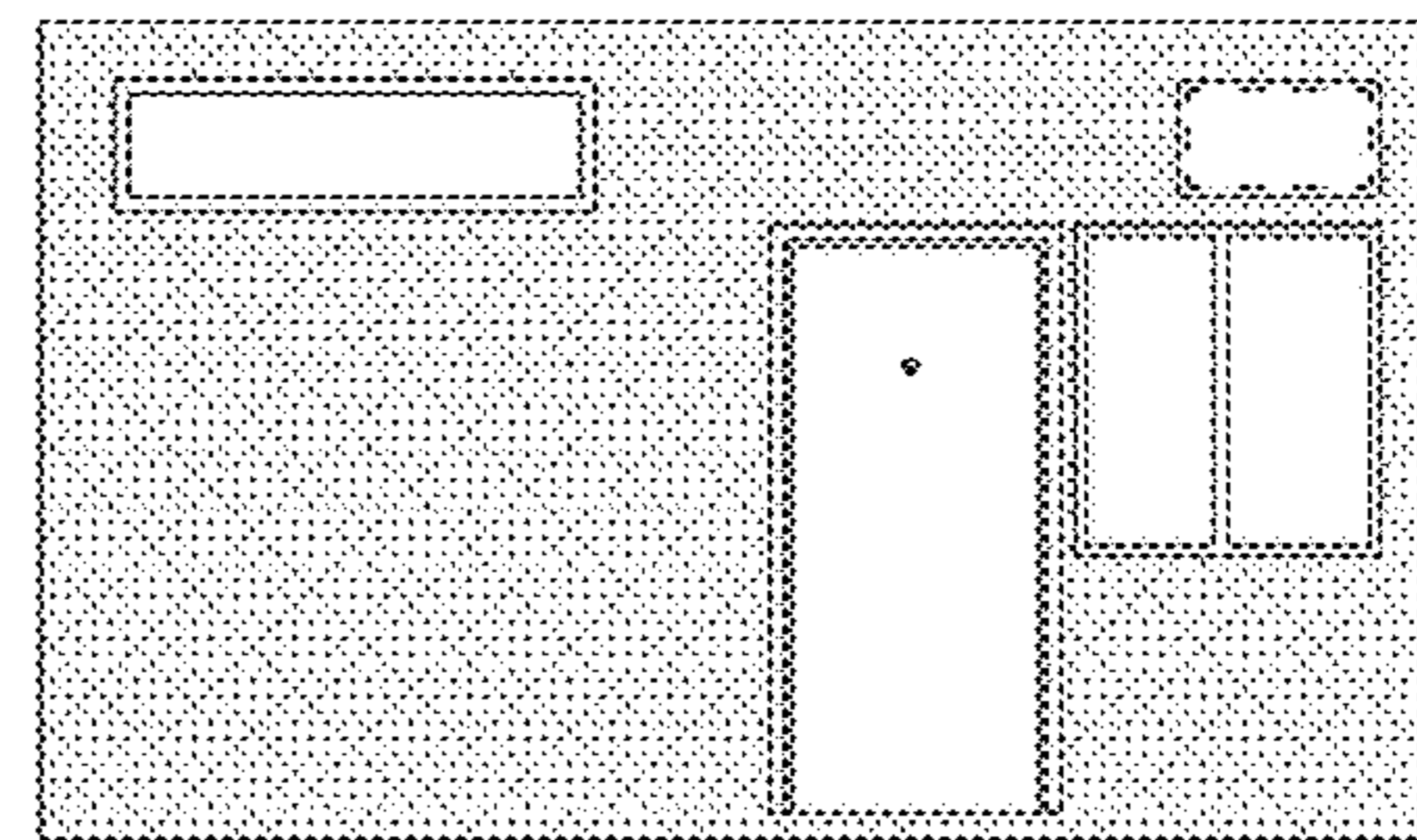


FIG 10

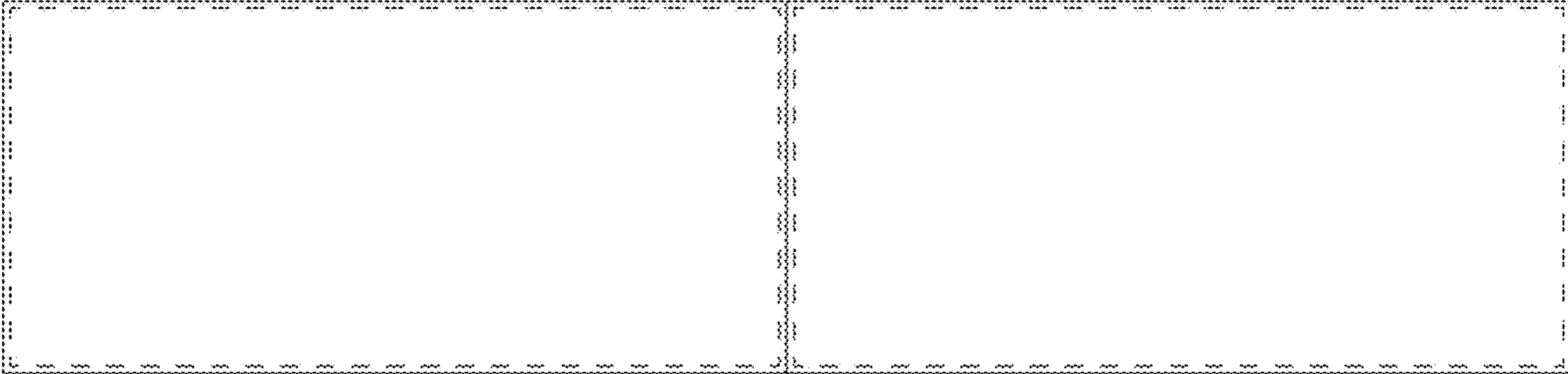


FIG 11

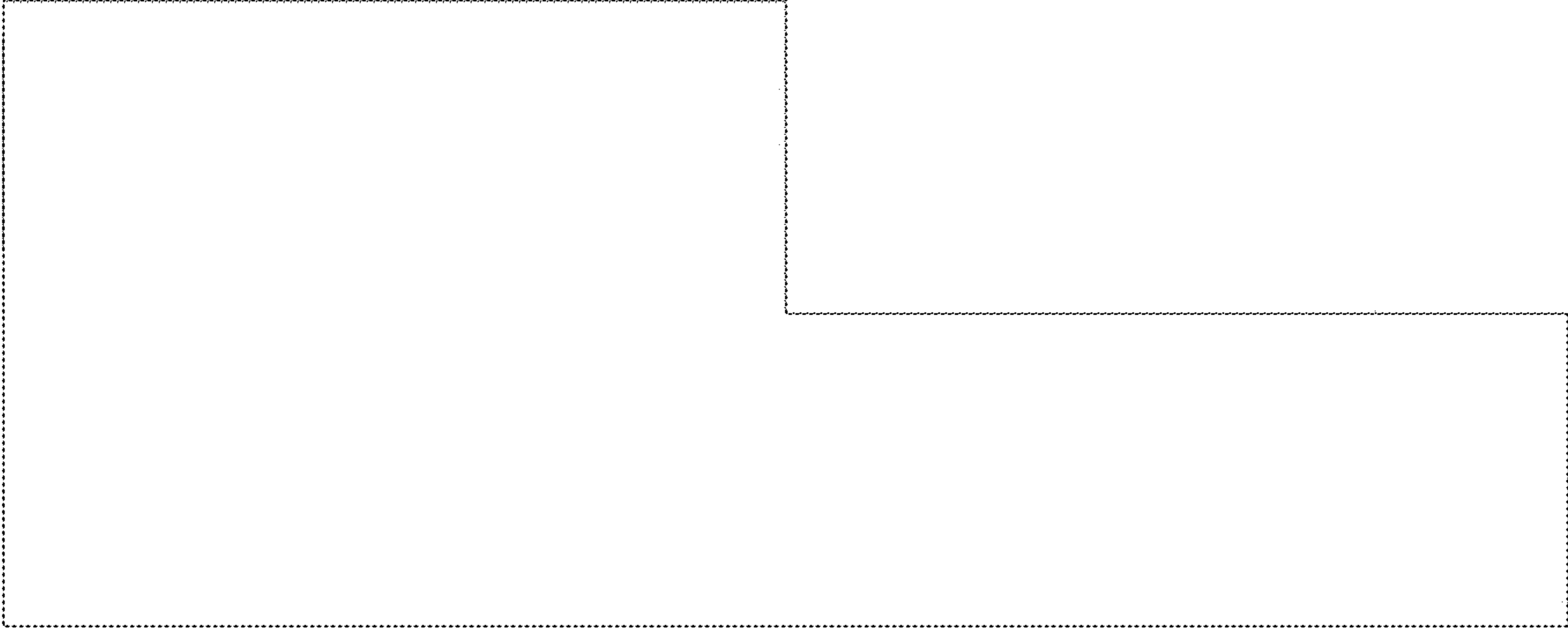


FIG 12

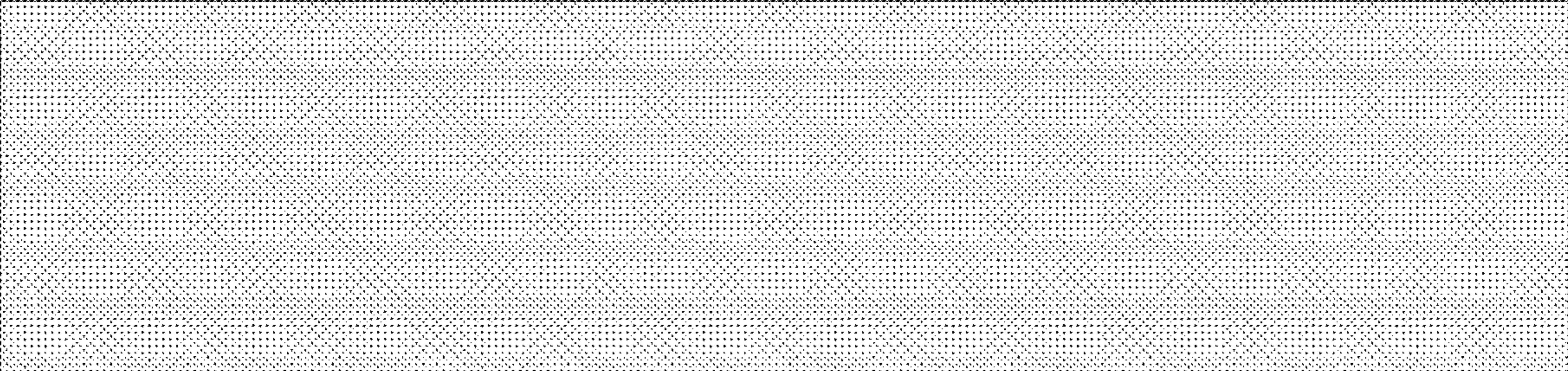


FIG 13