



US00D946172S

(12) **United States Design Patent** (10) **Patent No.:** **US D946,172 S**
Allen et al. (45) **Date of Patent:** **** Mar. 15, 2022**

(54) **DOOR**

(71) Applicant: **Masonite Corporation**, Tampa, FL (US)

(72) Inventors: **Robert C. Allen**, Elburn, IL (US); **Mark Albrighton**, Wesley Chapel, FL (US); **Timothy D. Gouge**, Elgin, IL (US); **Jason M. Walsh**, Batavia, IL (US)

(73) Assignee: **Masonite Corporation**, Tampa, FL (US)

(**) Term: **15 Years**

(21) Appl. No.: **29/739,920**

(22) Filed: **Jun. 30, 2020**

Related U.S. Application Data

(63) Continuation of application No. 29/662,189, filed on Sep. 4, 2018, now Pat. No. Des. 888,990, which is a (Continued)

(51) **LOC (13) Cl.** **25-02**

(52) **U.S. Cl.**
USPC **D25/48.3**

(58) **Field of Classification Search**
USPC D25/48.1, 48.3, 48.4, 48.5, 138 (Continued)

(56) **References Cited**

U.S. PATENT DOCUMENTS

1,574,493 A * 2/1926 Leonard E06B 3/988 49/501
1,642,553 A * 9/1927 Nyman E06B 3/728 52/800.16

(Continued)

FOREIGN PATENT DOCUMENTS

EM 000802152-0001 1/2008
EM 000802152-0009 1/2008

Primary Examiner — Leanne Was-Englehart

(74) *Attorney, Agent, or Firm* — Berenato & White, LLC

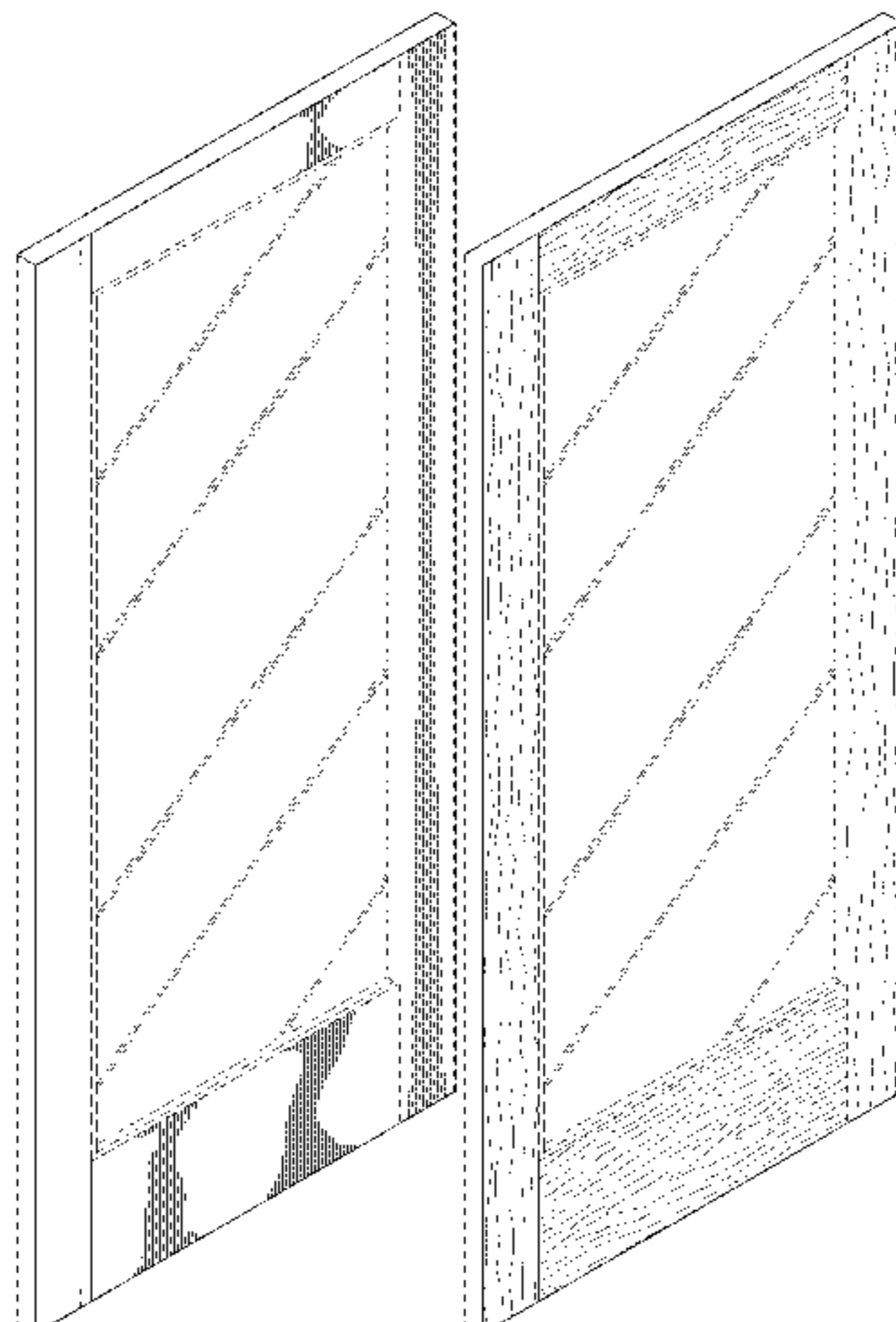
(57) **CLAIM**

The ornamental design for a door, as shown and described.

DESCRIPTION

FIG. 1 is a front perspective view of a first embodiment of a door showing our new design;
FIG. 2 is a front elevational view thereof;
FIG. 3 is a rear elevational view thereof;
FIG. 4 is a top plan view thereof;
FIG. 5 is a bottom plan view thereof;
FIG. 6 is a cross-sectional view taken along the line 6-6 of FIG. 2;
FIG. 7 is an enlarged view of a portion of the door shown in the circle "7" of FIG. 6;
FIG. 8 is a left side elevational view thereof;
FIG. 9 is a right side elevational view thereof;
FIG. 10 is a cross-sectional view taken along the line 10-10 of FIG. 2;
FIG. 11 is an enlarged view taken of a portion of the door shown in the circle "11" of FIG. 10;
FIG. 12 is an enlarged view taken of a portion of the door shown in the circle "12" of FIG. 10;
FIG. 13 is a front perspective view of a second embodiment of the door showing our new design;
FIG. 14 is a front elevational view thereof;
FIG. 15 is a rear elevational view thereof;
FIG. 16 is a top plan view thereof;
FIG. 17 is a bottom plan view thereof;
FIG. 18 is a cross-sectional view taken along the line 18-18 of FIG. 14;
FIG. 19 is an enlarged view of a portion of the door shown in the circle "19" of FIG. 18;
FIG. 20 is a left side elevational view thereof;
FIG. 21 is a right side elevational view thereof;
FIG. 22 is a cross-sectional view taken along the line 22-22 of FIG. 14;
FIG. 23 is an enlarged view taken of a portion of the door shown in the circle "23" of FIG. 22; and,
FIG. 24 is an enlarged view taken of a portion of the door shown in the circle "24" of FIG. 22.

(Continued)



The broken lines in the Figures depict portions of the door that form no part of the claimed design. The dot-dot-dash broken line circles in FIGS. 7, 11, 12, 19, 23 and 24 indicate boundaries of the enlarged views and form no part of the claimed design.

1 Claim, 12 Drawing Sheets

Related U.S. Application Data

continuation of application No. 29/607,300, filed on Jun. 12, 2017, now Pat. No. Des. 827,860, which is a continuation of application No. 29/498,016, filed on Jul. 30, 2014, now Pat. No. Des. 789,553.

(58) **Field of Classification Search**

CPC E06B 3/4636; E06B 3/485; E06B 3/72;
E06B 3/78; E06B 2003/7044; E06B 1/04;
E06B 5/00

See application file for complete search history.

(56) **References Cited**

U.S. PATENT DOCUMENTS

1,704,745 A * 3/1929 Hughes E06B 3/728
52/800.17
1,750,428 A * 3/1930 Pearson E06B 3/5892
52/800.16
1,797,440 A * 3/1931 New E06B 3/5892
52/844
1,844,817 A * 2/1932 Determann E06B 3/5892
52/455
2,799,059 A * 7/1957 Stack E06B 3/7001
428/172

3,004,641 A * 10/1961 Johnson E06B 3/728
52/455
4,167,088 A * 9/1979 Governale E06B 1/524
49/381
4,214,405 A * 7/1980 Chupik E06B 1/524
49/382
4,720,951 A * 1/1988 Thorn B29C 44/18
49/DIG. 2
4,825,615 A * 5/1989 Turner E06B 3/74
52/455
6,185,894 B1 * 2/2001 Sisco E06B 3/725
52/455
7,210,274 B2 * 5/2007 Ballantyne E06B 3/74
52/309.9
7,284,352 B2 * 10/2007 Lynch E06B 3/7001
52/309.9
D576,740 S * 9/2008 Steiber D25/48.3
D640,392 S 6/2011 Walsh
D735,888 S * 8/2015 Gouge D25/48.3
D748,816 S 2/2016 Gouge
D756,534 S 5/2016 Allen
D766,459 S * 9/2016 Cox D25/48.3
9,458,660 B2 10/2016 Gouge
D789,553 S * 6/2017 Allen D25/48.3
D790,728 S * 6/2017 Allen D25/48.3
D797,311 S * 9/2017 Cox D25/48.3
10,006,240 B2 6/2018 Gouge
D827,860 S * 9/2018 Allen D25/48.3
D844,175 S * 3/2019 Allen D25/48.3
D883,521 S * 5/2020 Ege E06B 3/72
D25/48.3
D888,990 S * 6/2020 Allen D25/48.3
D888,991 S * 6/2020 Allen D25/48.3
2016/0010386 A1 * 1/2016 Gouge E06B 3/70
52/784.16
2017/0218684 A1 * 8/2017 Gouge E06B 3/67

* cited by examiner

Fig. 1

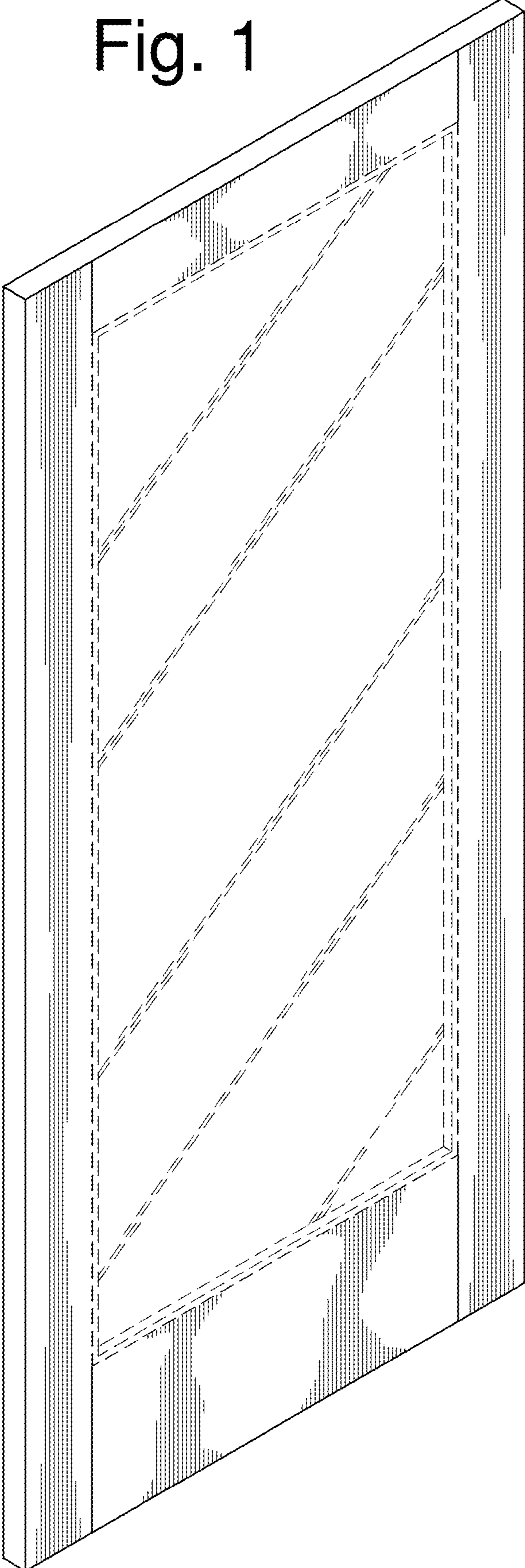


Fig. 2

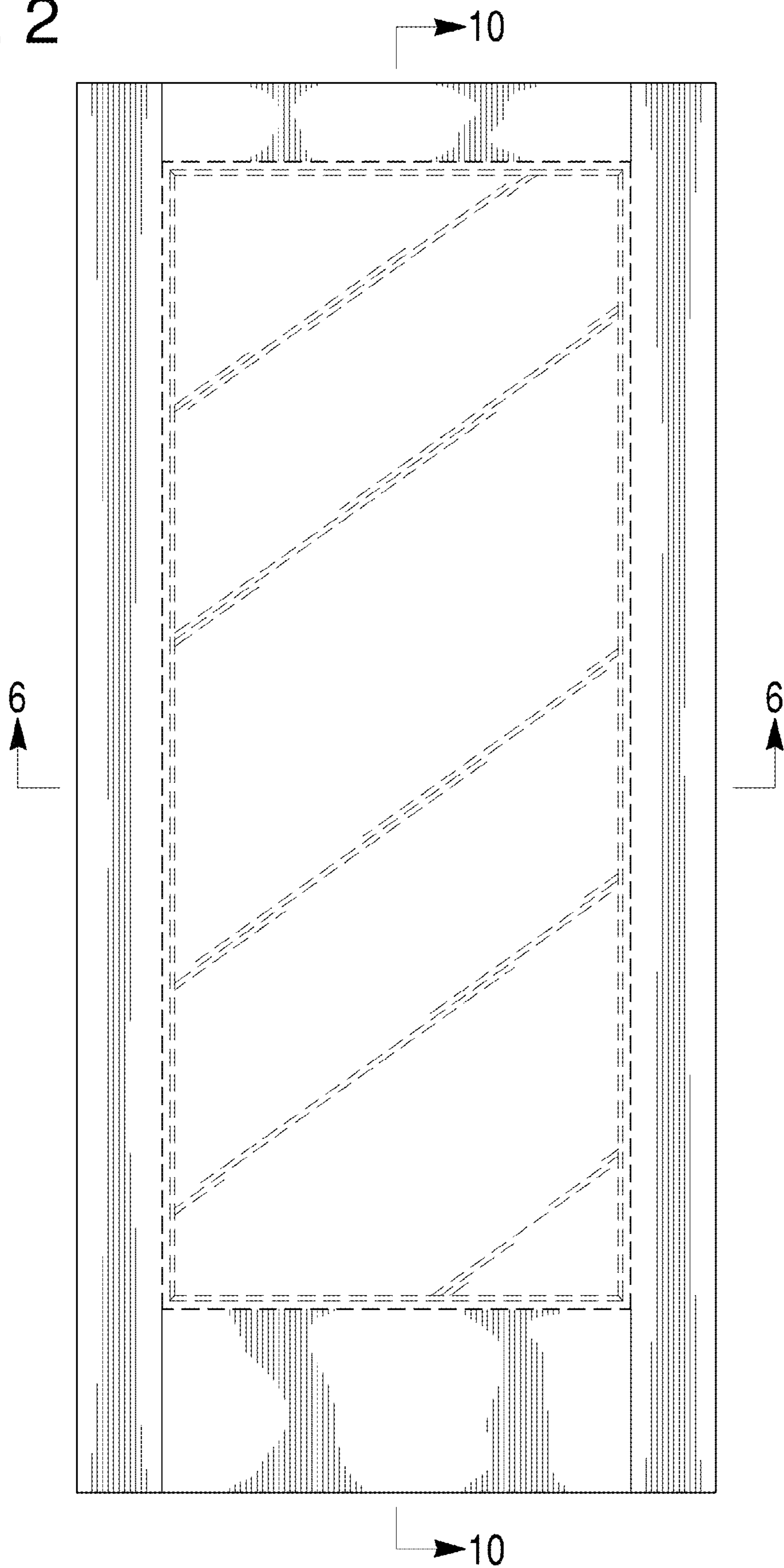


Fig. 3

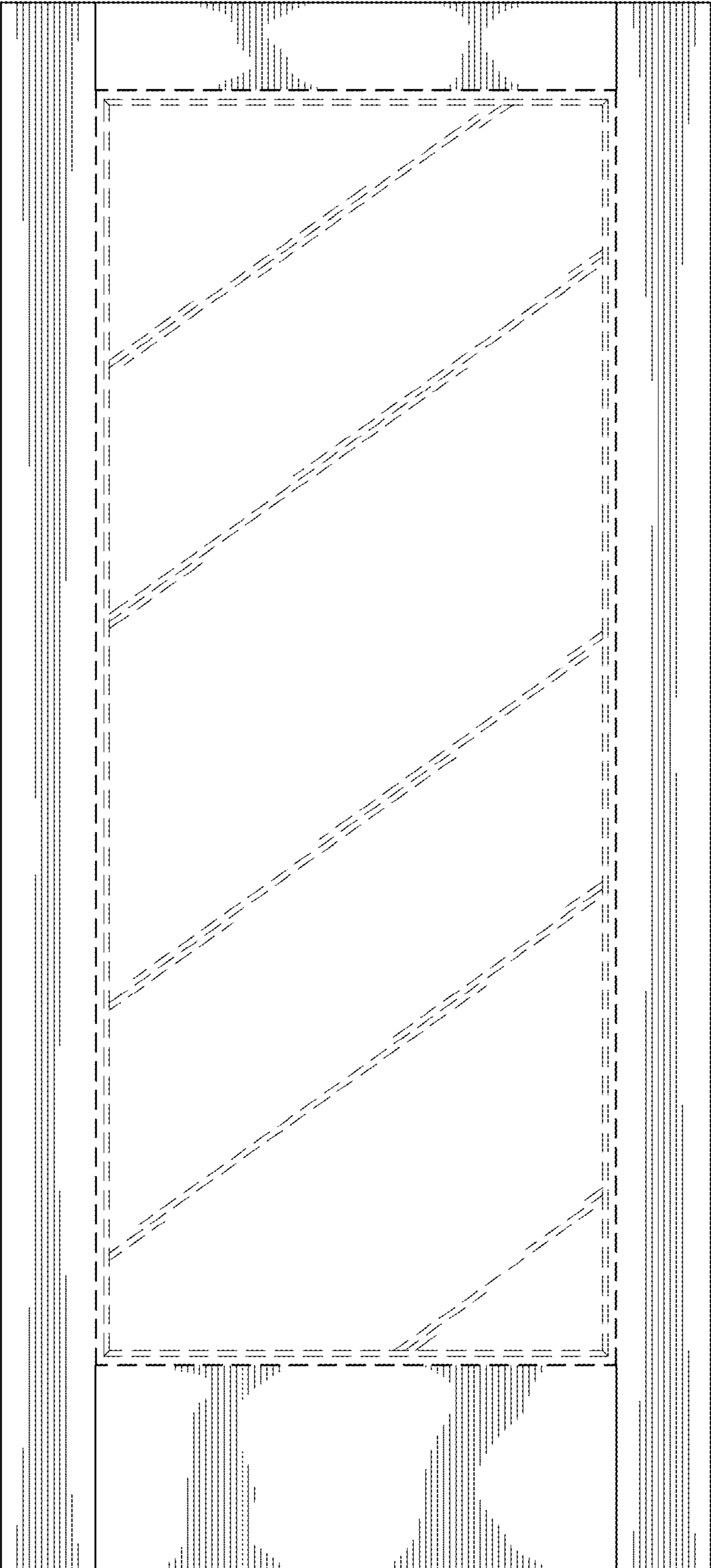


Fig. 4

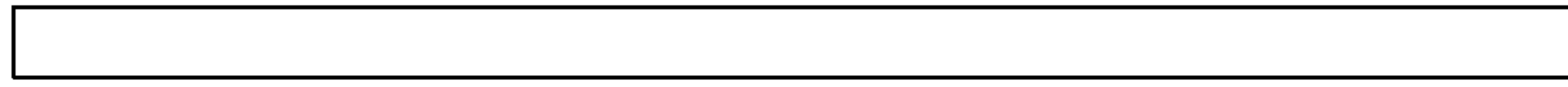


Fig. 5

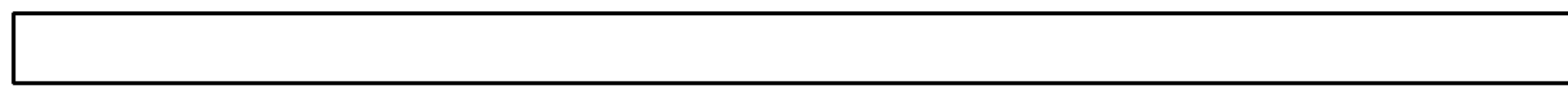


Fig. 6

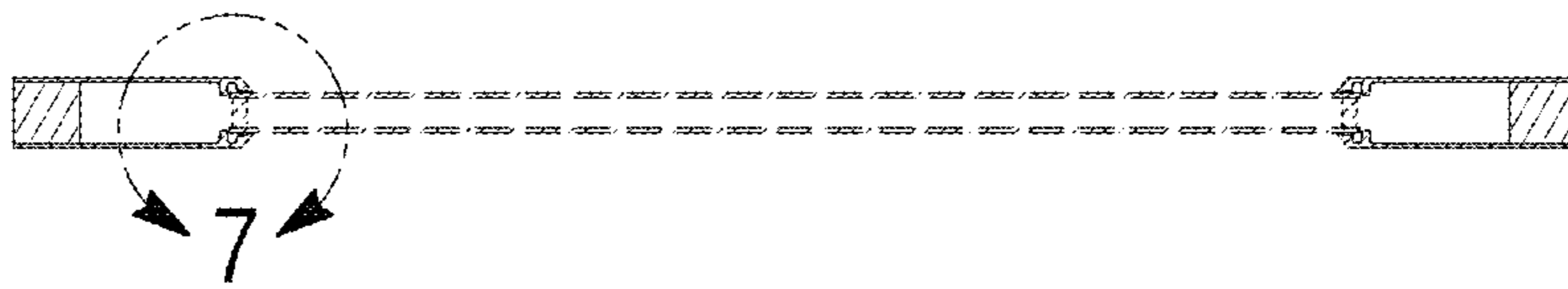


Fig. 7

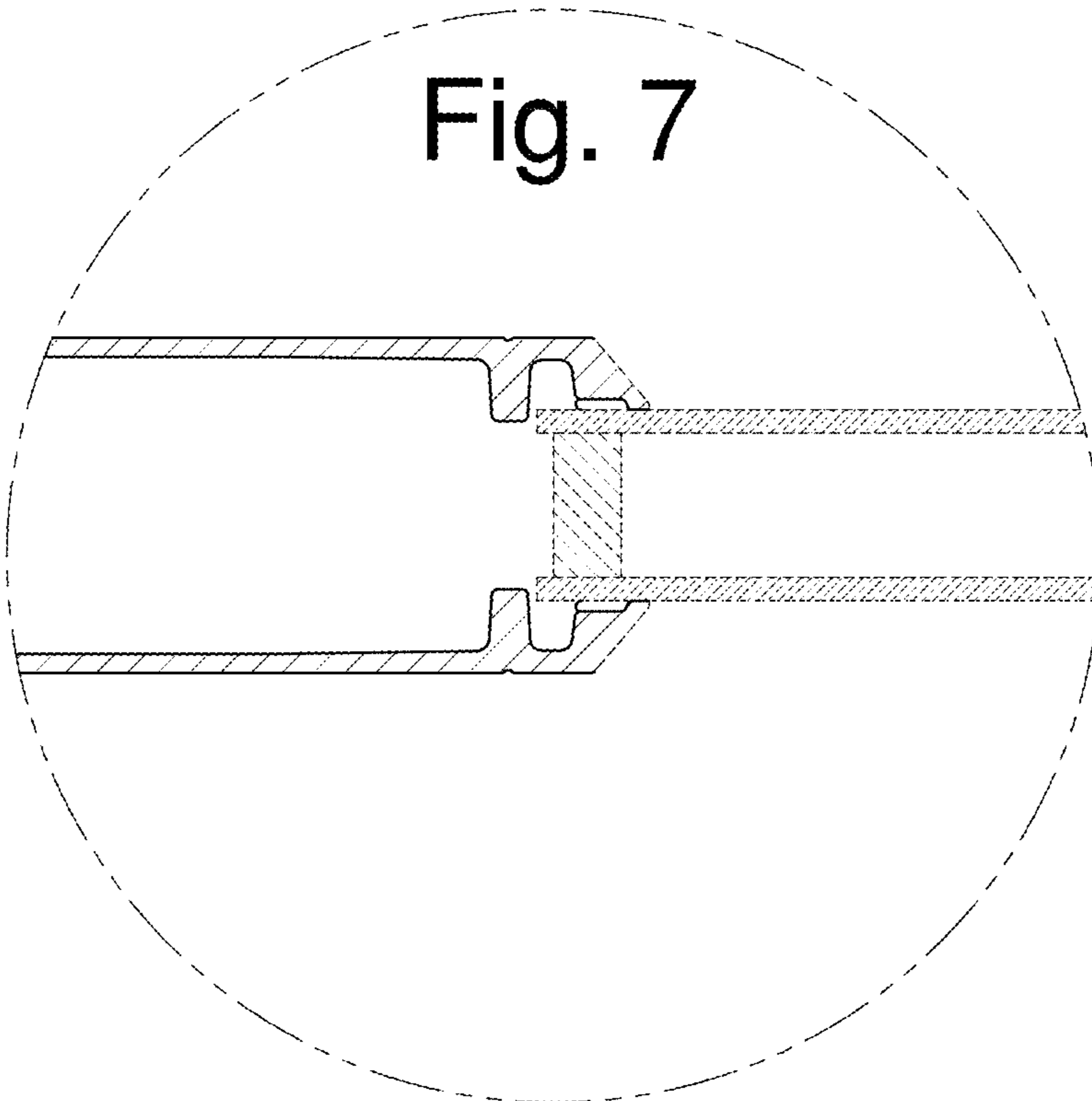


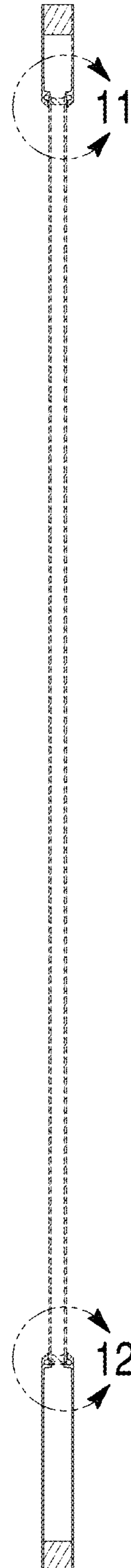
Fig. 8



Fig. 9



Fig. 10



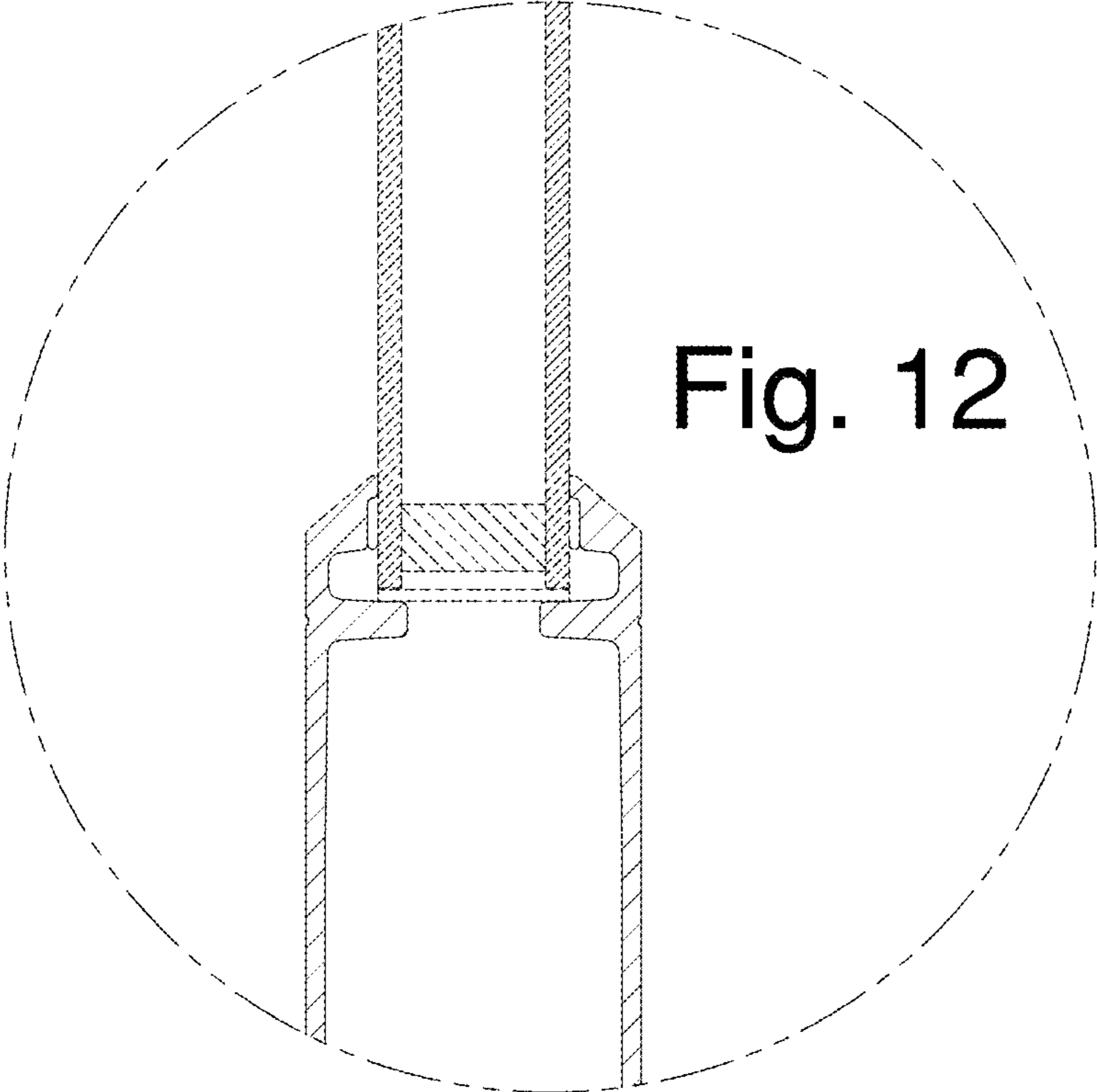
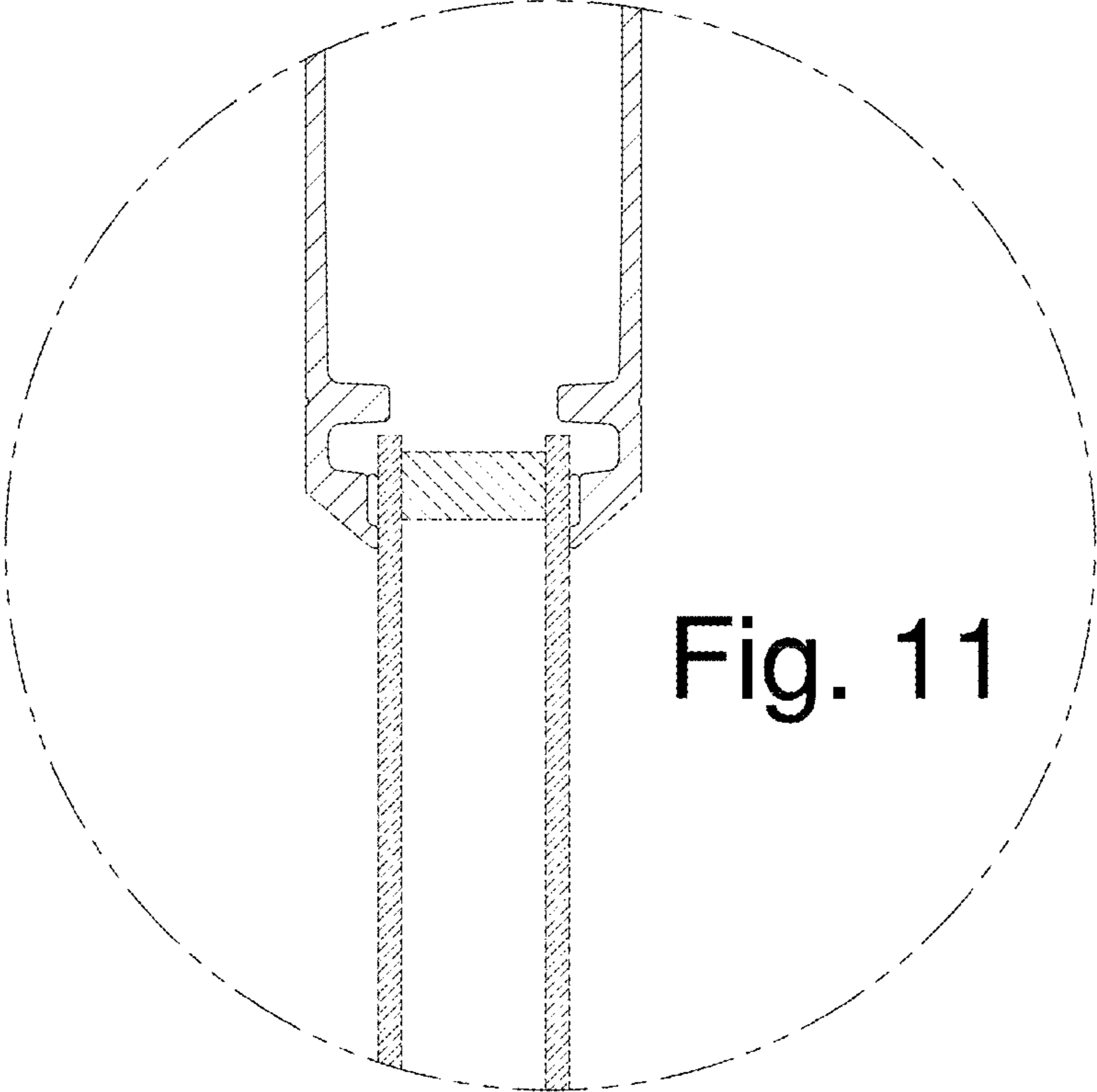


Fig. 13

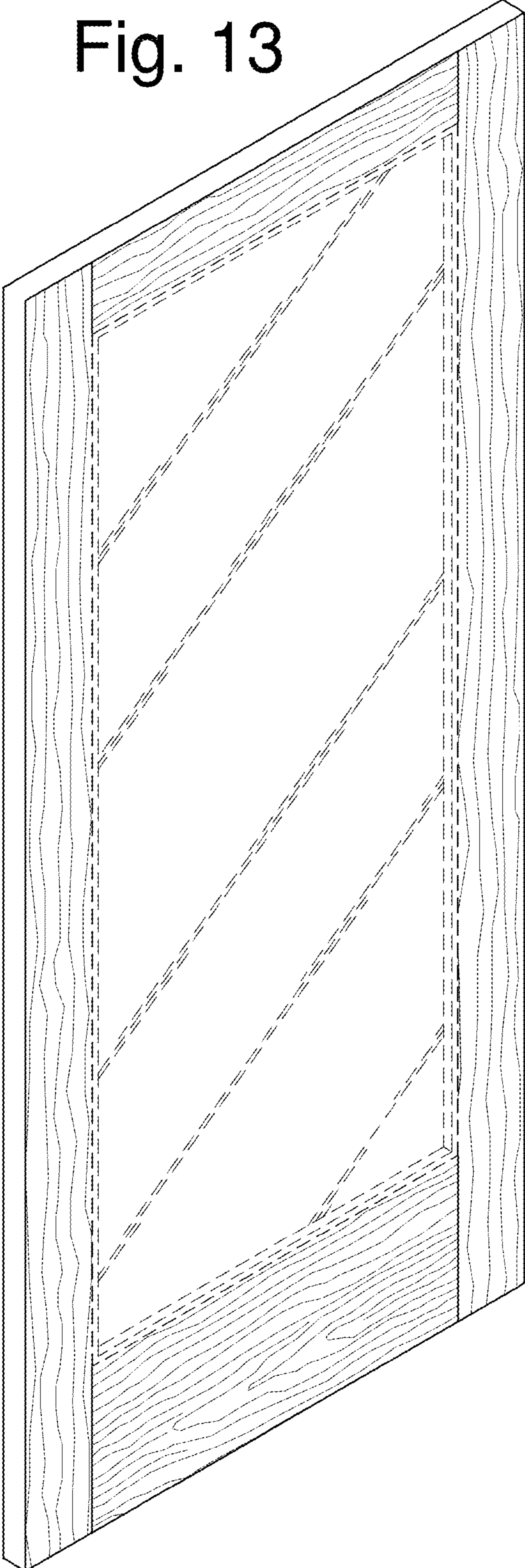


Fig. 14

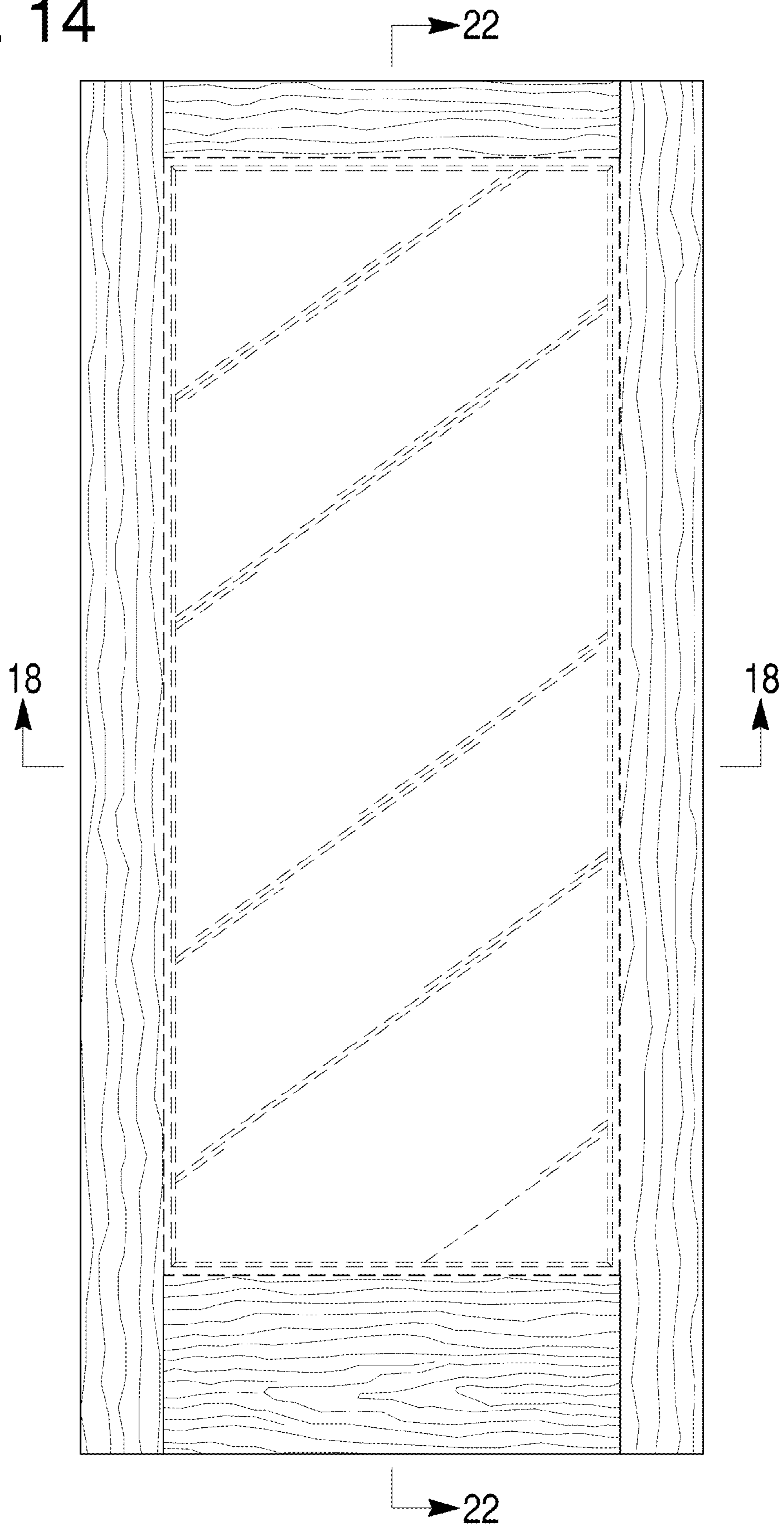


Fig. 15

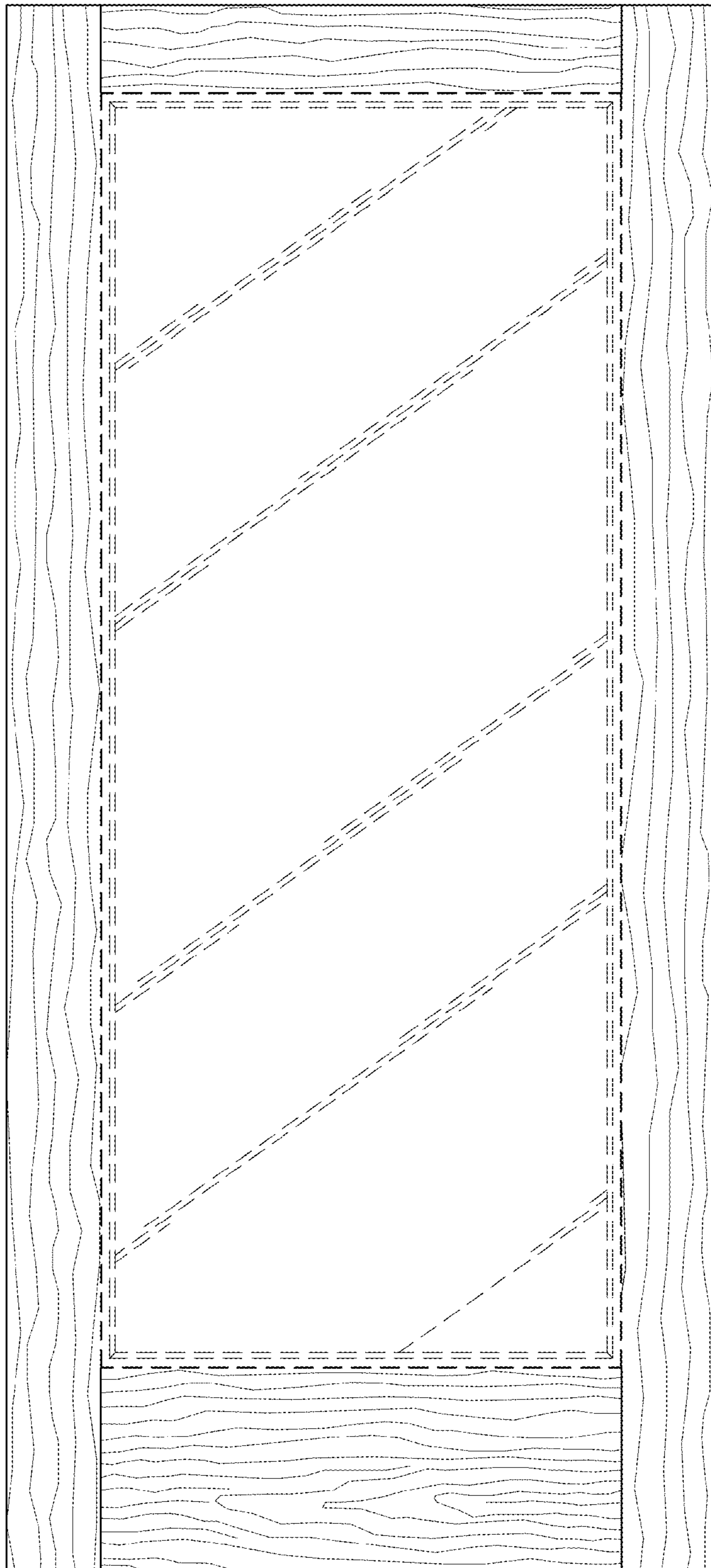


Fig. 16

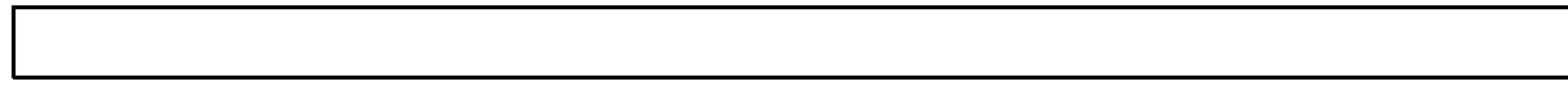


Fig. 17

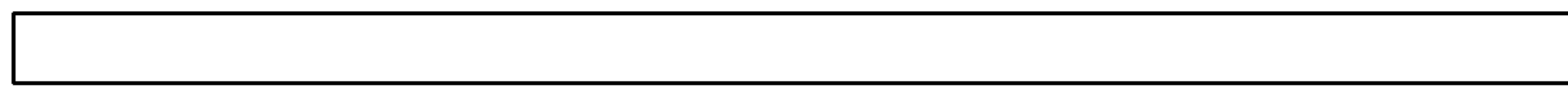


Fig. 18

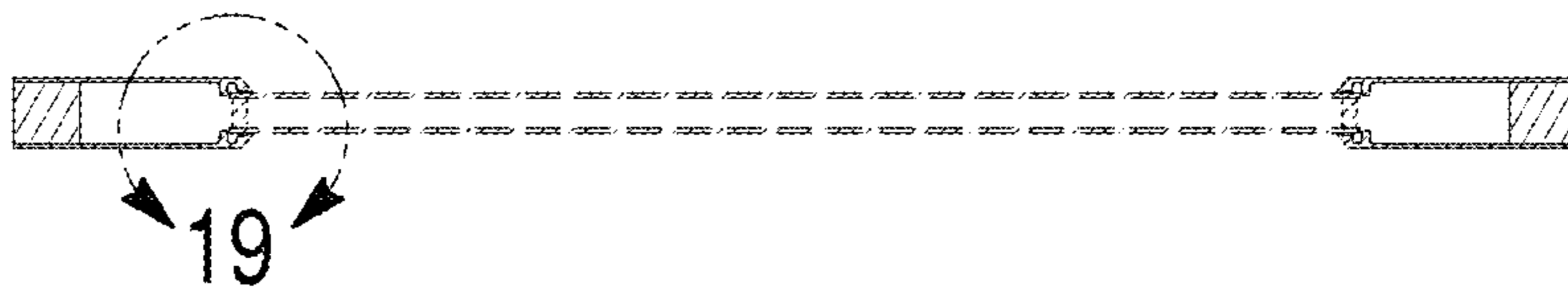


Fig. 19

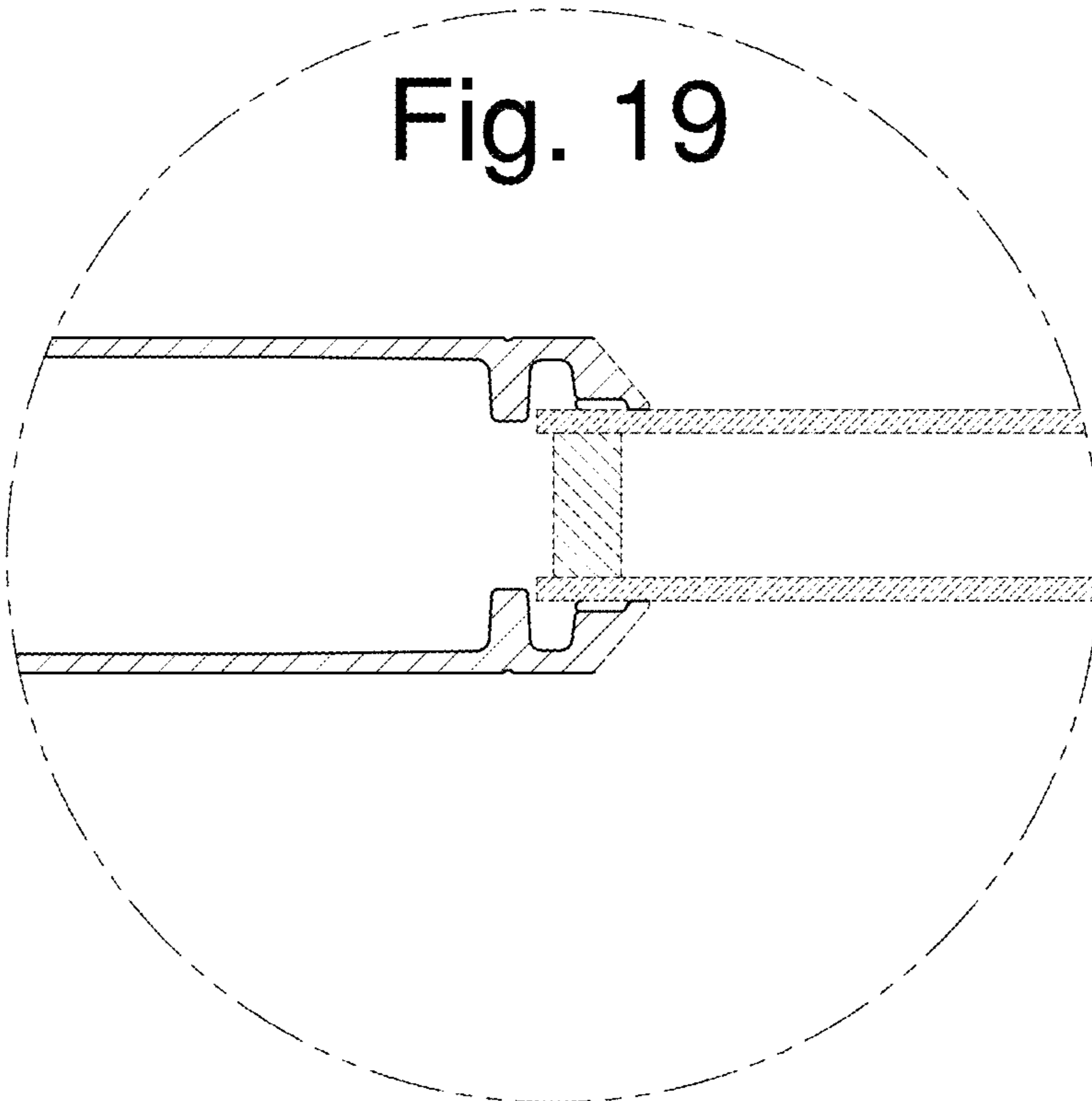


Fig. 20



Fig. 21

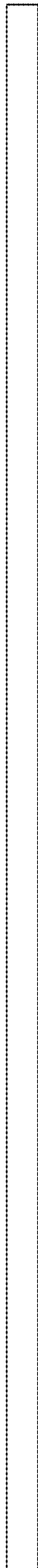


Fig. 22

