



US00D946171S

(12) **United States Design Patent** (10) **Patent No.:** **US D946,171 S**
Phillips et al. (45) **Date of Patent:** **** Mar. 15, 2022**

(54) **SHED**
(71) Applicant: **SUNCAST TECHNOLOGIES, LLC**,
Palm Beach Gardens, FL (US)
(72) Inventors: **William J. Phillips**, Batavia, IL (US);
Stephen Whitehead, Elgin, IL (US);
Torrence Anderson, Overland Park, KS
(US)
(73) Assignee: **Suncast Technologies, LLC**, Palm
Beach Gardens, FL (US)

D666,738 S * 9/2012 McKimmy D25/33
D688,386 S * 8/2013 Donnelly D25/22
D689,197 S * 9/2013 Thuma D25/33
D691,285 S * 10/2013 Thuma D25/33
D691,735 S * 10/2013 Thuma D25/33
D691,736 S * 10/2013 Thuma D25/33
D728,824 S * 5/2015 McKimmy D25/33
D734,494 S * 7/2015 Steiner D25/33
D797,306 S * 9/2017 Ohanesian D25/33
10,161,126 B2 * 12/2018 Steiner E04B 1/34321
D844,925 S * 4/2019 Picarazzi D34/1
D880,906 S * 4/2020 Leng D6/663
2012/0102847 A1 * 5/2012 Kopp E04H 1/1205
52/79.1

(**) Term: **15 Years**

OTHER PUBLICATIONS

(21) Appl. No.: **29/715,984**

Leisure Seasons, Cypress Brown Trash Can Storage, Jun. 10, 2010,
Home Depot, <https://www.homedepot.com/p/Leisure-Season-5-ft-2-in-x-2-ft-10-in-x-4-ft-Cypress-Brown-Trash-Can-Storage-Horizontal-Refuse-Storage-Shed-RSS2001/203681871> (Year: 2012).*

(22) Filed: **Dec. 5, 2019**

(51) **LOC (13) Cl.** **25-03**

(52) **U.S. Cl.**
USPC **D25/33; D6/671.1**

* cited by examiner

(58) **Field of Classification Search**
USPC D25/48.2, 48.3, 33, 16, 59, 22, 15, 17,
D25/18, 29, 32, 30, 34; D6/663, 667,
D6/671.1, 671; D34/7, 8, 11, 1;
D30/108; D3/273, 294
CPC E04H 6/005; E04H 1/12; E04H 1/1216;
E04H 1/1205; E04B 1/34321; E04B
2001/34389

Primary Examiner — Brett Miller

(74) *Attorney, Agent, or Firm* — McHale & Slavin, P.A.

See application file for complete search history.

(57) **CLAIM**

The ornamental design for a shed, as shown and described.

(56) **References Cited**

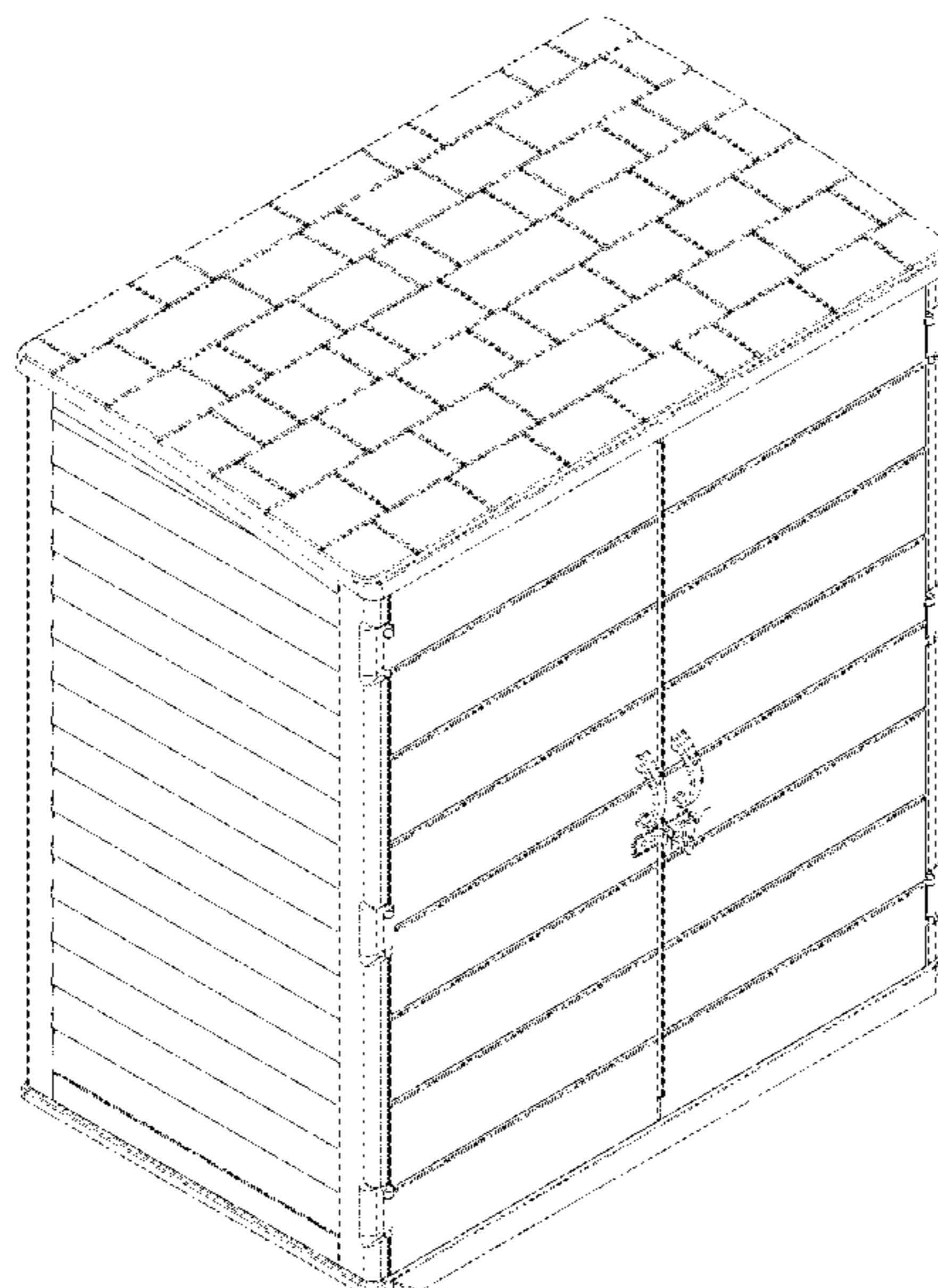
U.S. PATENT DOCUMENTS

D359,402 S * 6/1995 Tisbo D6/663
D384,419 S * 9/1997 Dickinson D25/16
D478,386 S * 8/2003 Ohanesian D25/33
D529,623 S * 10/2006 Richardson D25/33
D558,891 S * 1/2008 Grosfillex D25/33
D567,390 S * 4/2008 Grosfillex D25/33
D662,222 S * 6/2012 Donnelly D25/33

DESCRIPTION

FIG. 1 is a top front left perspective view of the shed of the present invention;
FIG. 2 is a left side view thereof;
FIG. 3 is a right side view thereof;
FIG. 4 is a front view thereof;
FIG. 5 is a rear view thereof; and,
FIG. 6 is a top view thereof.
The portions of the shed illustrated in broken lines are not claimed.

1 Claim, 7 Drawing Sheets



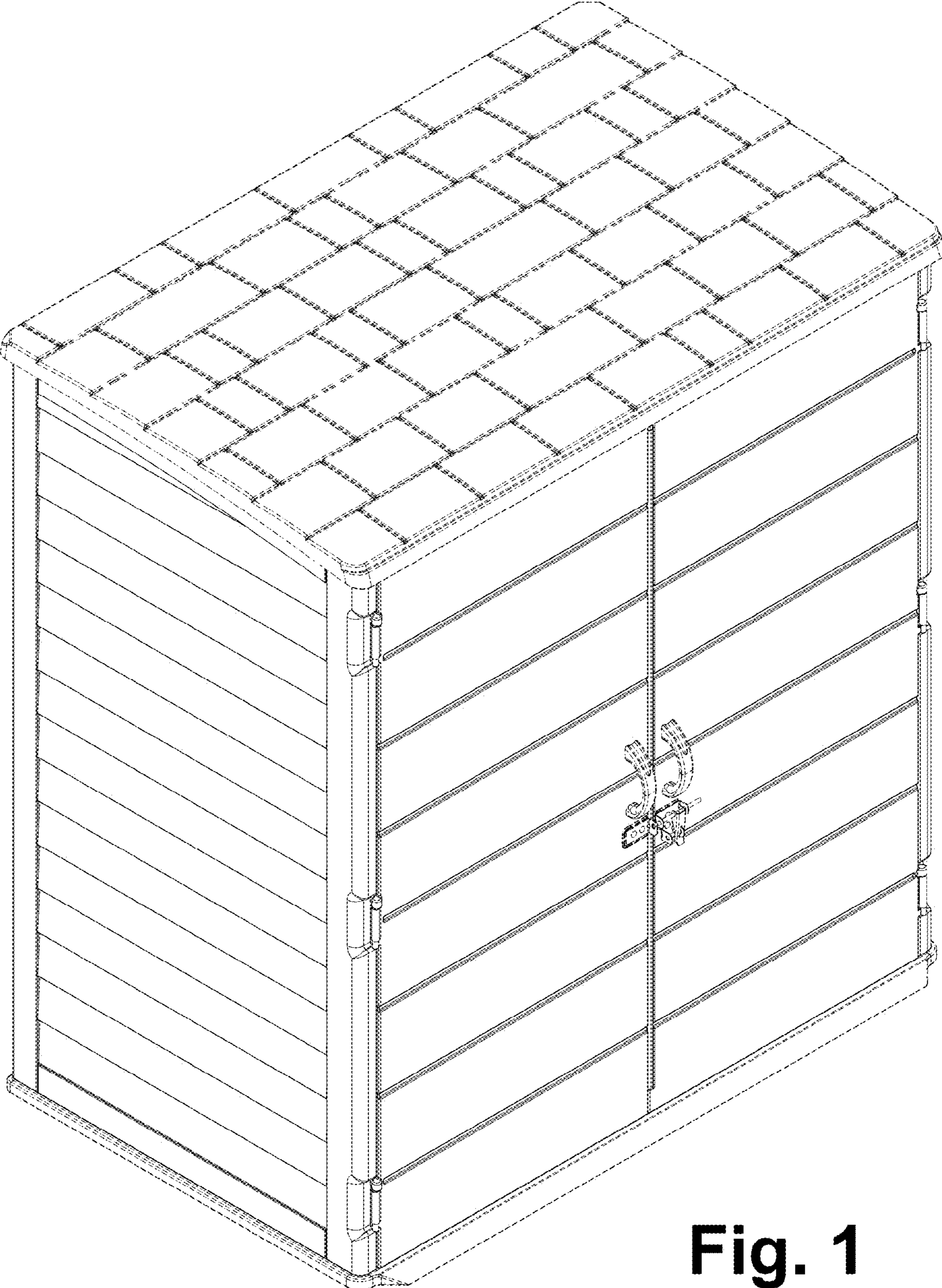


Fig. 1

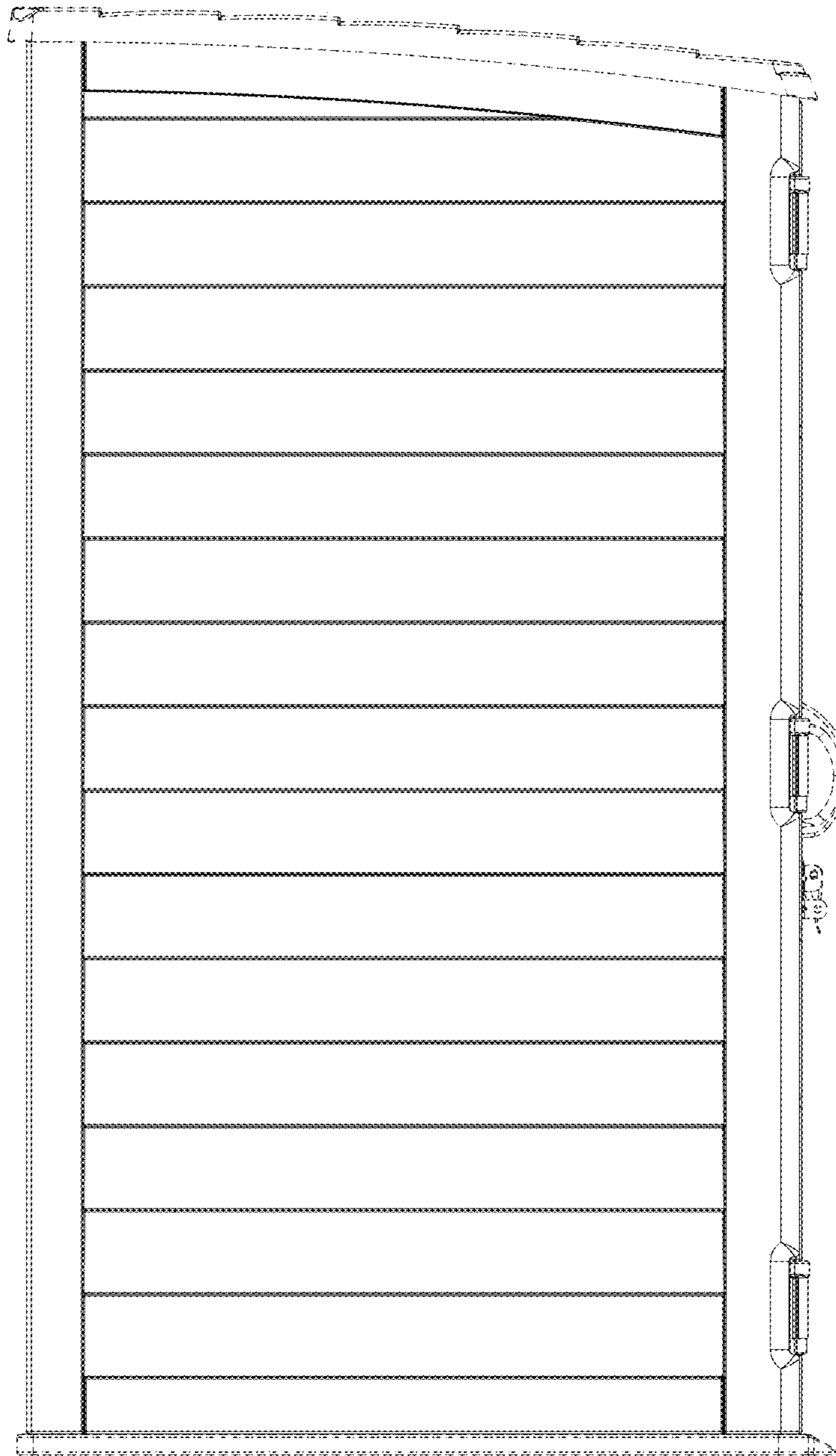


Fig. 2

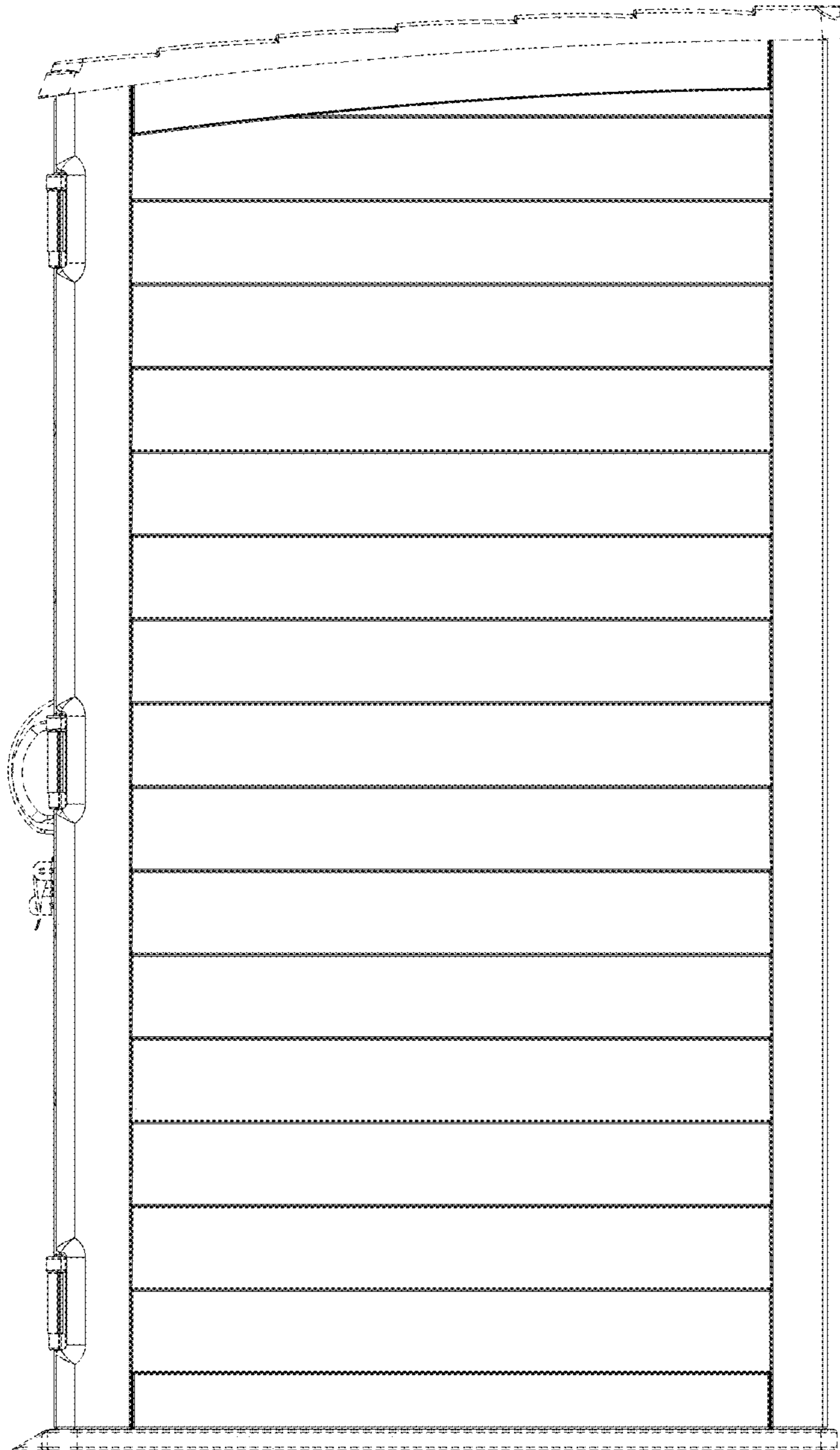


Fig. 3

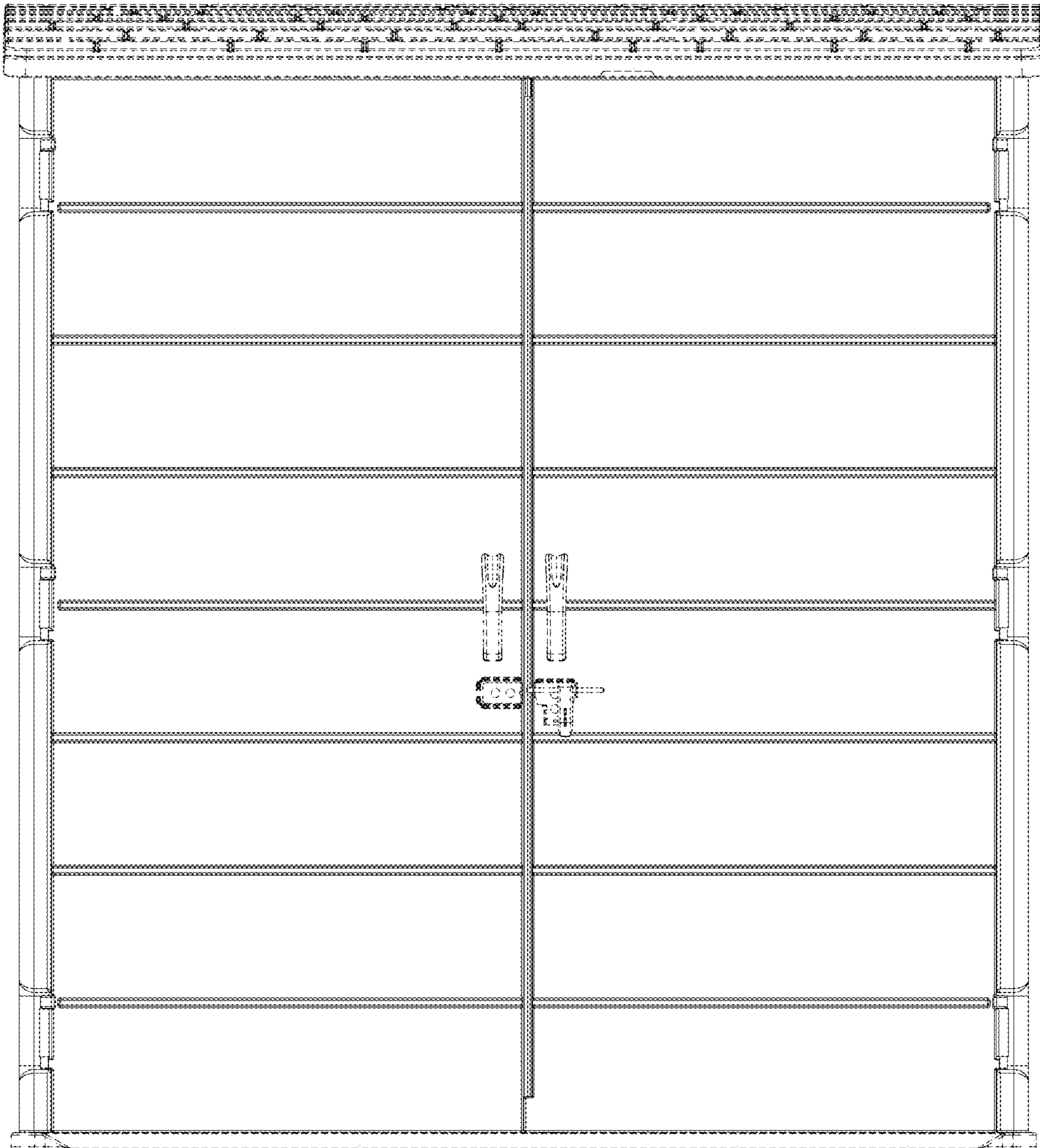


Fig. 4

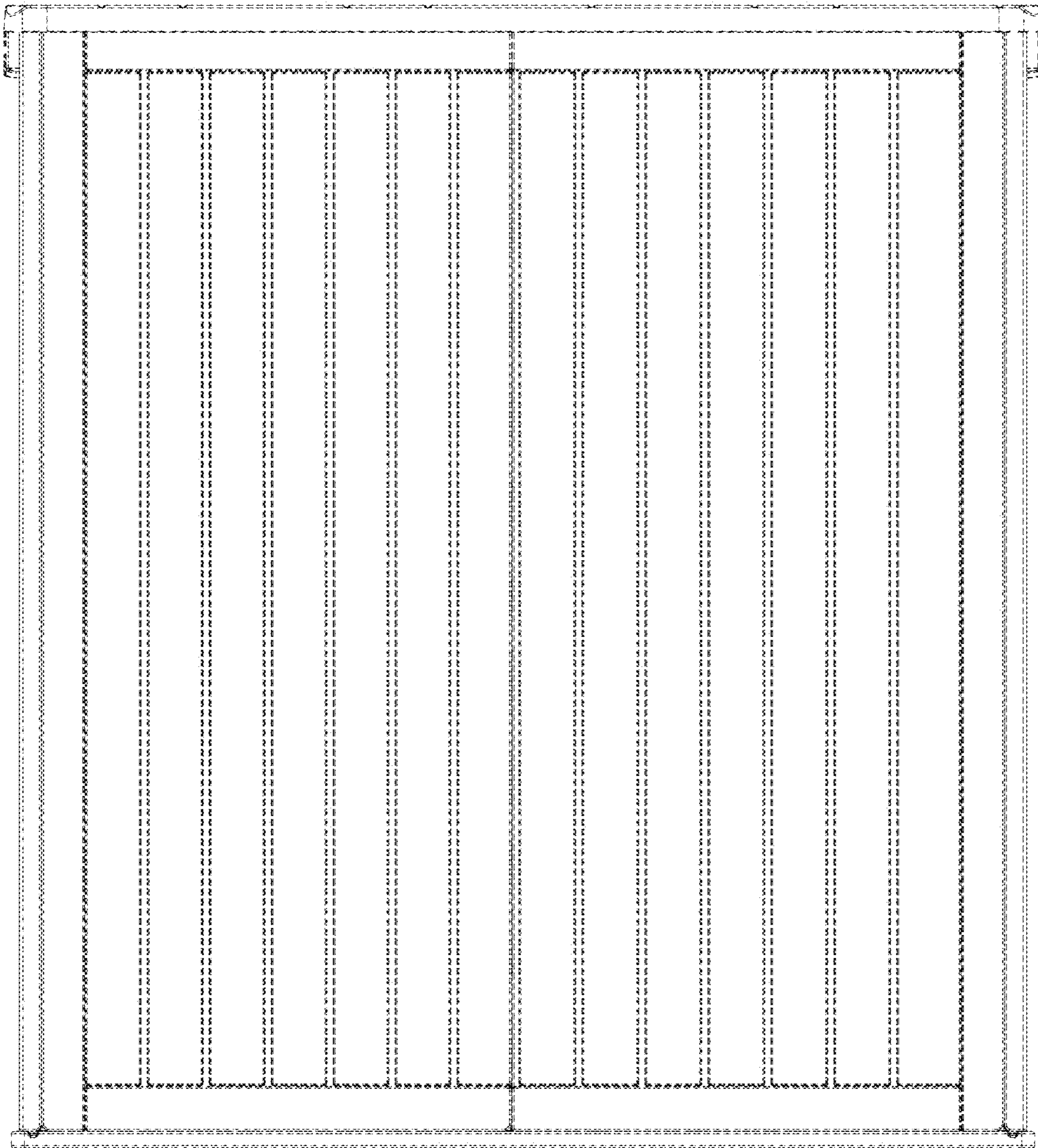


Fig. 5

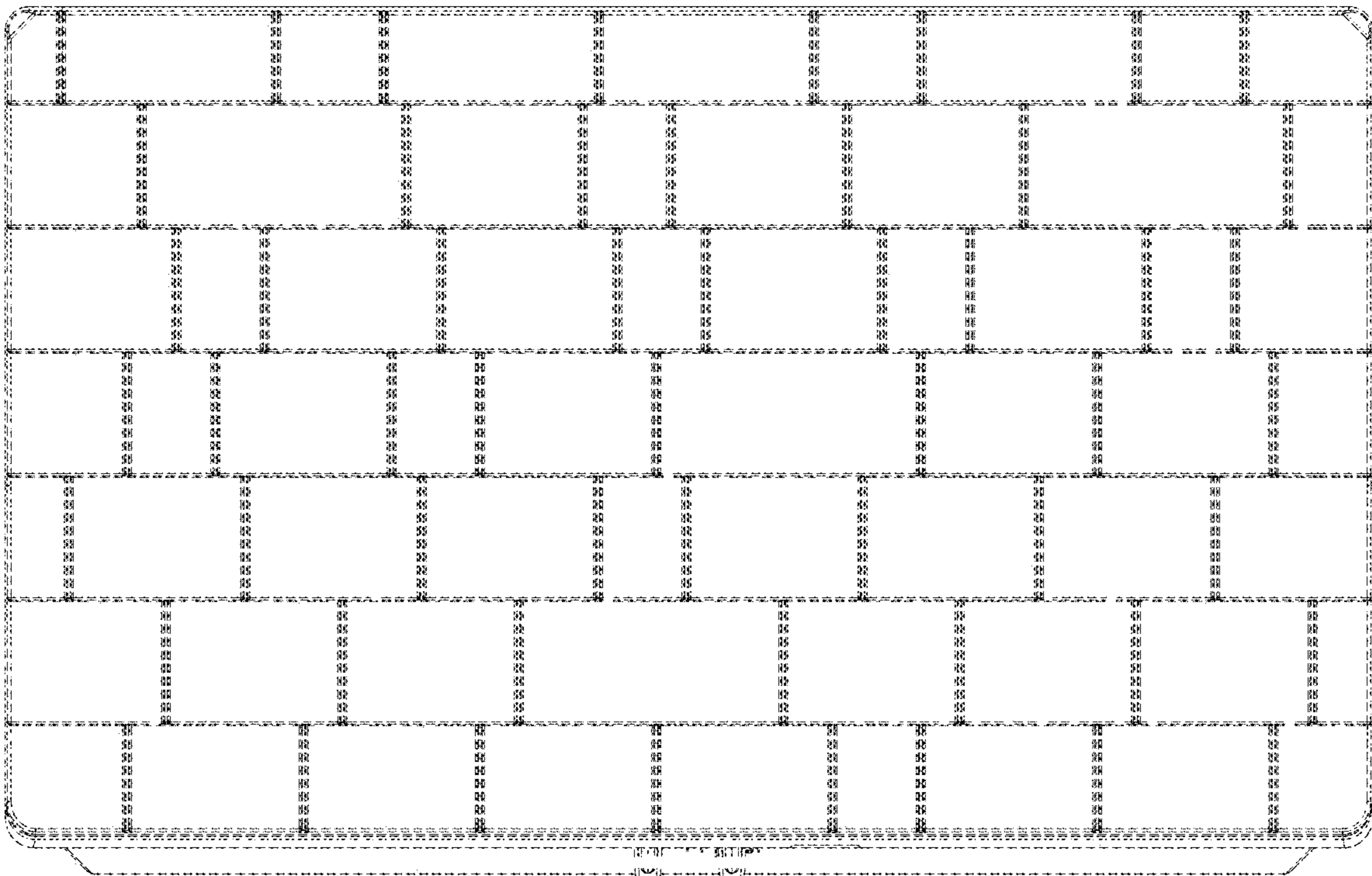


Fig. 6

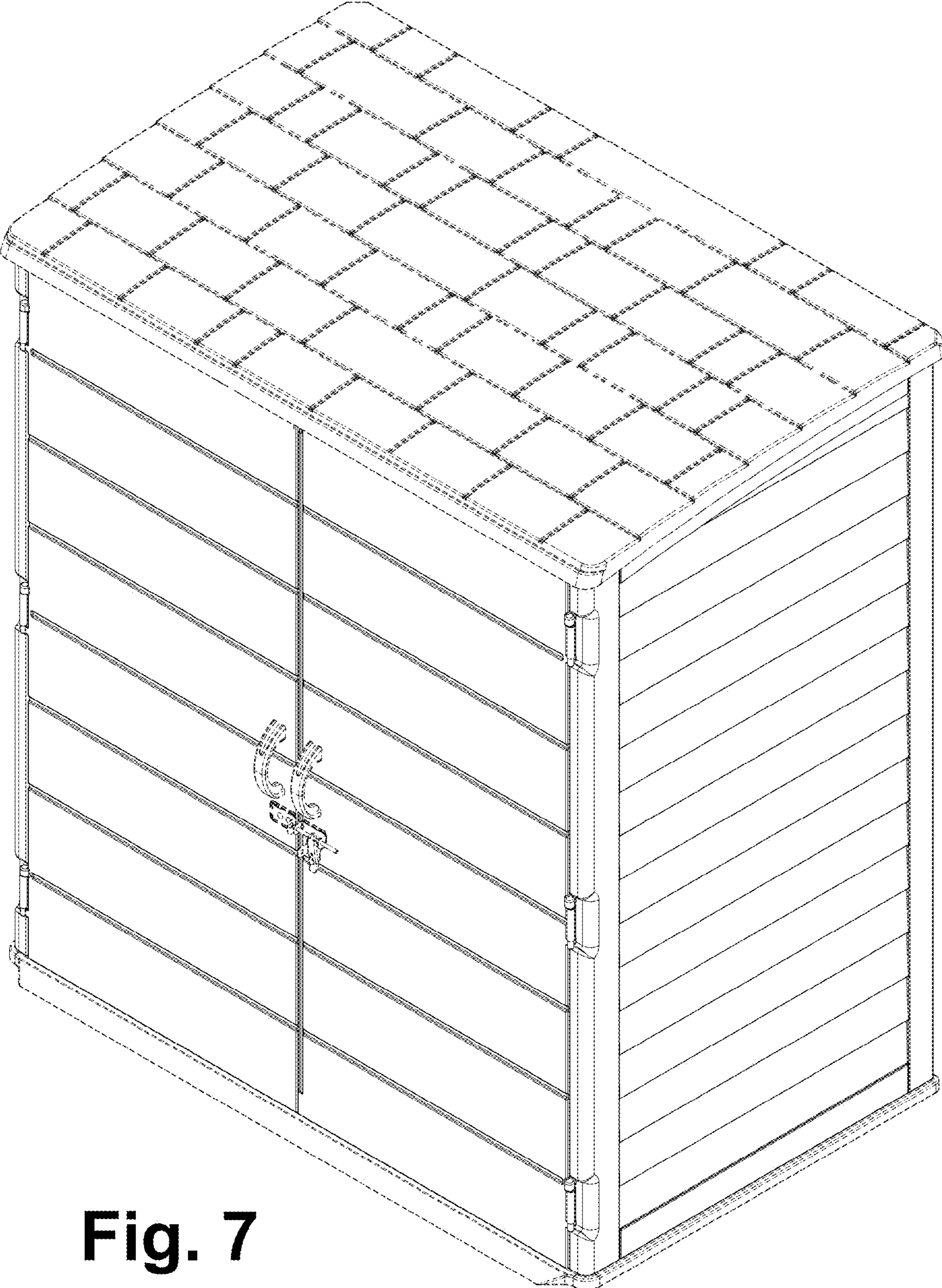


Fig. 7