



US00D946166S

(12) **United States Design Patent** (10) **Patent No.:** **US D946,166 S**
Li (45) **Date of Patent:** **** Mar. 15, 2022**

(54) **MASSAGER HEAD**

(71) Applicant: **Gangxuan Li**, Yongkang (CN)

(72) Inventor: **Gangxuan Li**, Yongkang (CN)

(**) Term: **15 Years**

(21) Appl. No.: **29/737,105**

(22) Filed: **Jun. 5, 2020**

(51) **LOC (13) Cl.** **28-03**

(52) **U.S. Cl.**
USPC **D24/215**

(58) **Field of Classification Search**

USPC D24/215, 200, 211, 212, 213, 214, 133,
D24/188, 107, 231; 21/717; D9/439
CPC A61H 9/00; A61H 9/005; A61H 9/0007;
A61H 15/00; A61H 2015/0007; A61H
2015/0042; A61H 23/00; A61H 23/006;
A61H 2023/002; A61H 2201/0153; A61H
2201/0157; A61H 7/004; A61H 1/00

See application file for complete search history.

(56) **References Cited**

U.S. PATENT DOCUMENTS

D197,889 S *	4/1964	Hass	D24/194
7,169,169 B2 *	1/2007	Tucek	A61H 1/008 601/108
7,503,923 B2 *	3/2009	Miller	A61H 1/008 173/114
D669,188 S *	10/2012	Errico	D24/214
D845,499 S *	4/2019	Wersland	D24/211
D865,192 S *	10/2019	Nazarian	D24/200
D890,353 S *	7/2020	Nazarian	D24/200
D907,792 S *	1/2021	Marton	D24/215
2005/0131461 A1 *	6/2005	Tucek	A61H 1/008 606/239
2016/0151234 A1 *	6/2016	Chen	A61H 15/0078 601/113
2019/0015294 A1 *	1/2019	Nazarian	A61H 15/0085

OTHER PUBLICATIONS

WASAGUN—Deep Tissue Percussion Muscle Massager. Date: Sep. 30, 2019. [online], [Site visited Sep. 20, 2021]. Available from Internet URL: <https://www.amazon.com/dp/B07VQG97GH> (Year: 2019).*

Spectral—How To Use a Percussion Massager. Date: Feb. 21, 2020. [online], [Site visited Sep. 18, 2021]. Available from Internet URL: <https://www.spectralbody.com/fitness-gadgets/how-to-use-a-percussion-massager/>(Year: 2020).*

Duona—Massage Guns Attachments. Date: Feb. 11, 2020. [online], [Site visited Sep. 20, 2021]. Available from Internet URL: <https://www.amazon.com/dp/B084P3WB36/> (Year: 2020).*

Massage attachments. (Design—© Questel) orbit.com. [Online PDF compilation of references selected by examiner] 29 pgs. Print Dates Range Jul. 5, 2019-Apr. 29, 2020 [Retrieved Sep. 20, 2021] <https://www.orbit.com/export/UCZAH96B/pdf4/f105ac01-b451-448a-ae6b-904dbe8a0a29-194426.pdf> (Year: 2021).*

* cited by examiner

Primary Examiner — Susan Bennett Hattan

Assistant Examiner — Landon Thomas Cassell

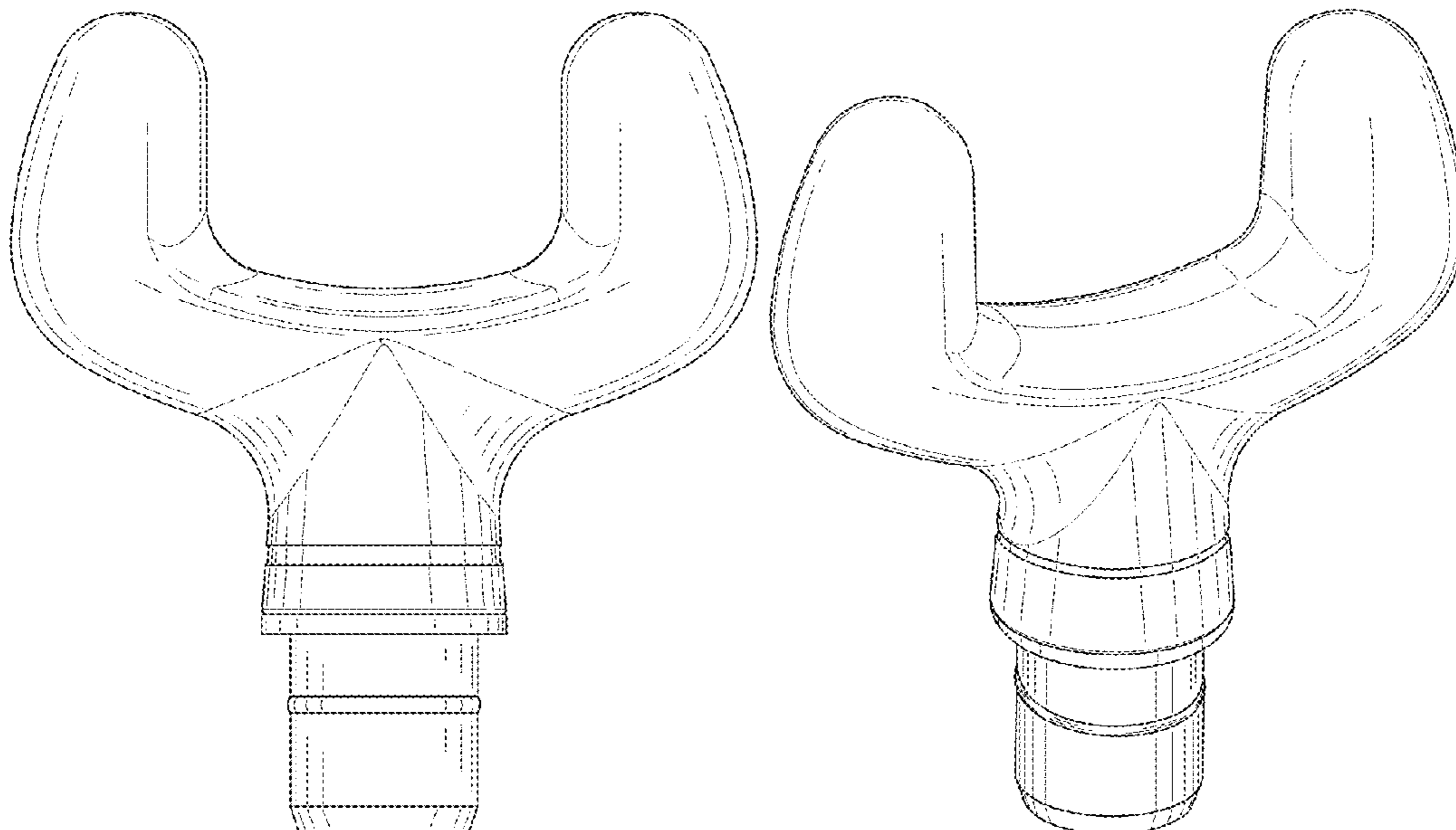
(57) **CLAIM**

The ornamental design for a massager head, as shown and described.

DESCRIPTION

FIG. 1 is a front elevational view of a massager head showing my new design;
FIG. 2 is a rear elevational view thereof;
FIG. 3 is a left sideview thereof;
FIG. 4 is a right sideview thereof;
FIG. 5 is a top planview thereof;
FIG. 6 is a bottom plan view thereof; and,
FIG. 7 is a perspective view from front side thereof.

1 Claim, 7 Drawing Sheets



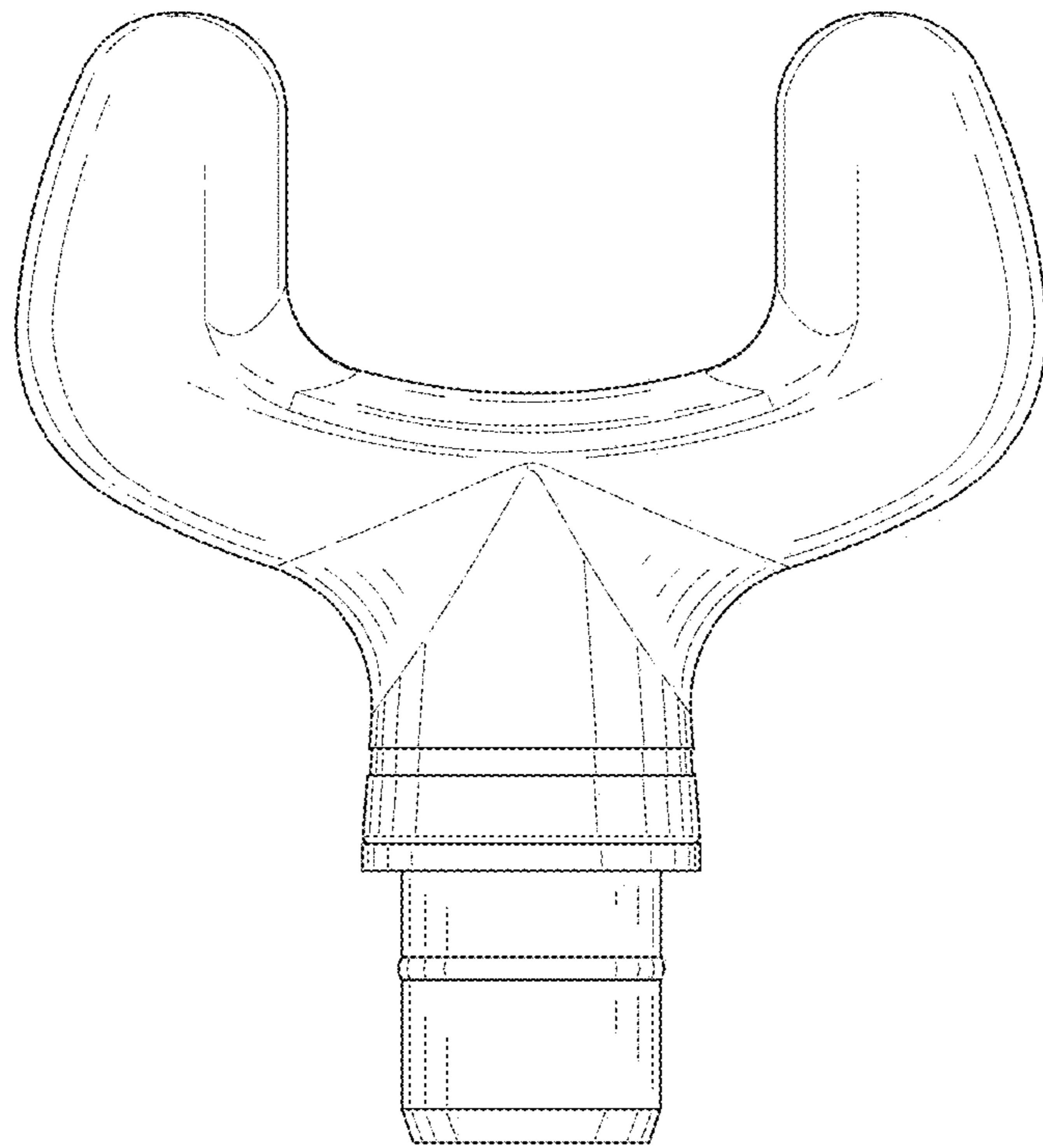


FIG. 1

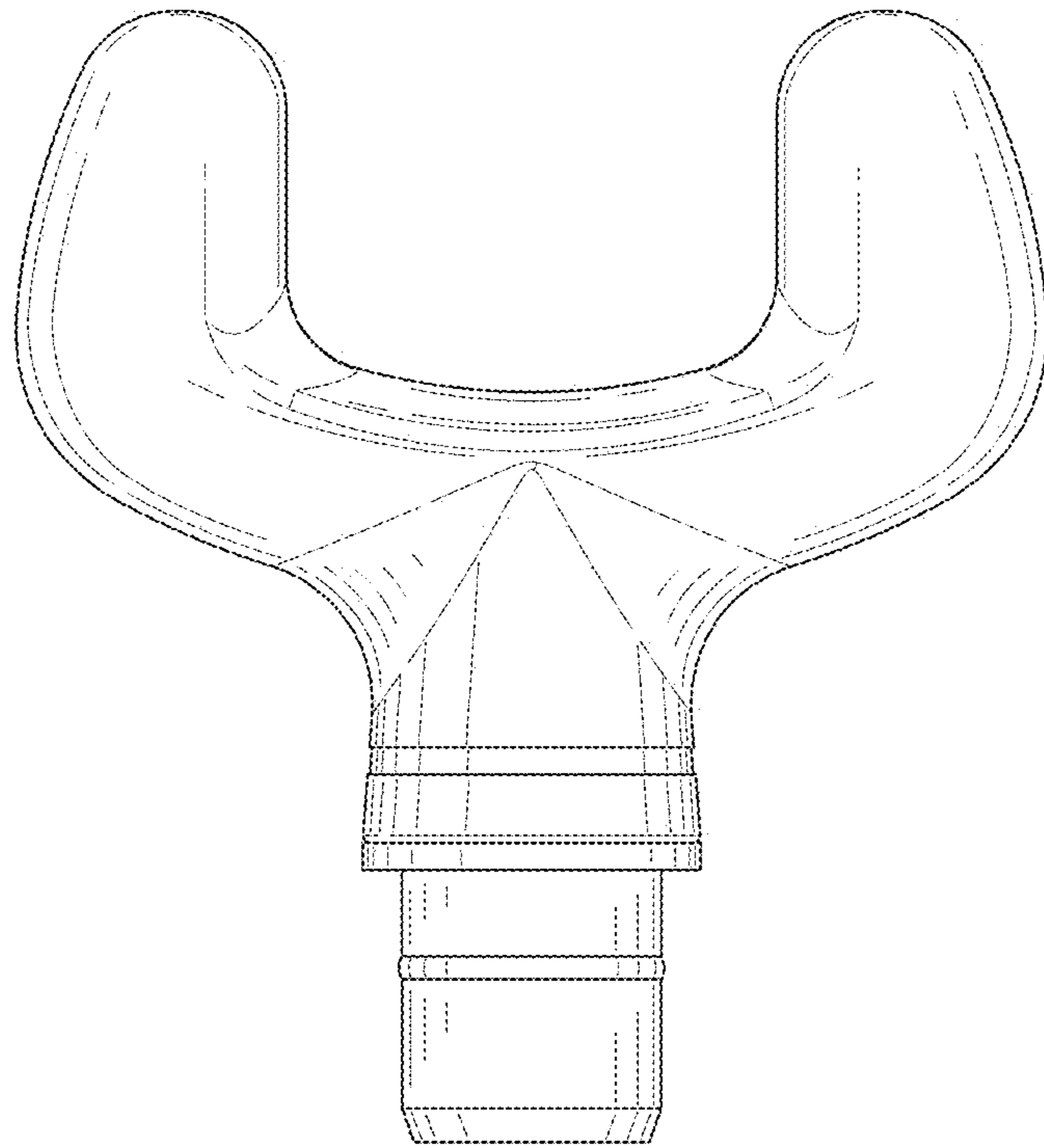


FIG. 2

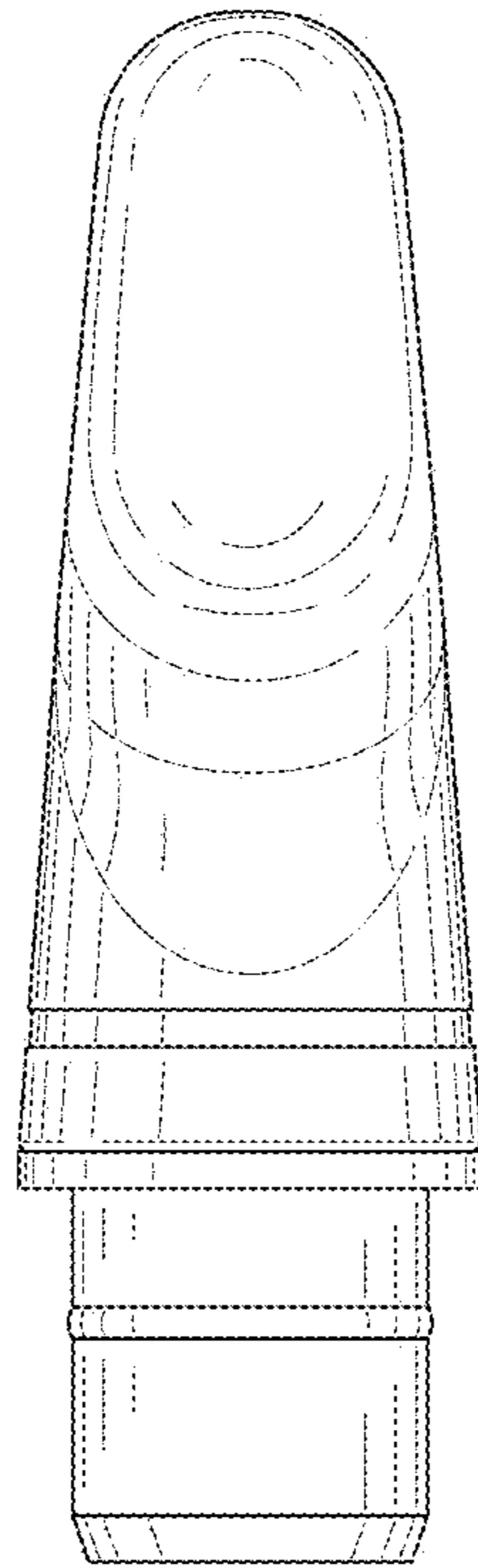


FIG. 3

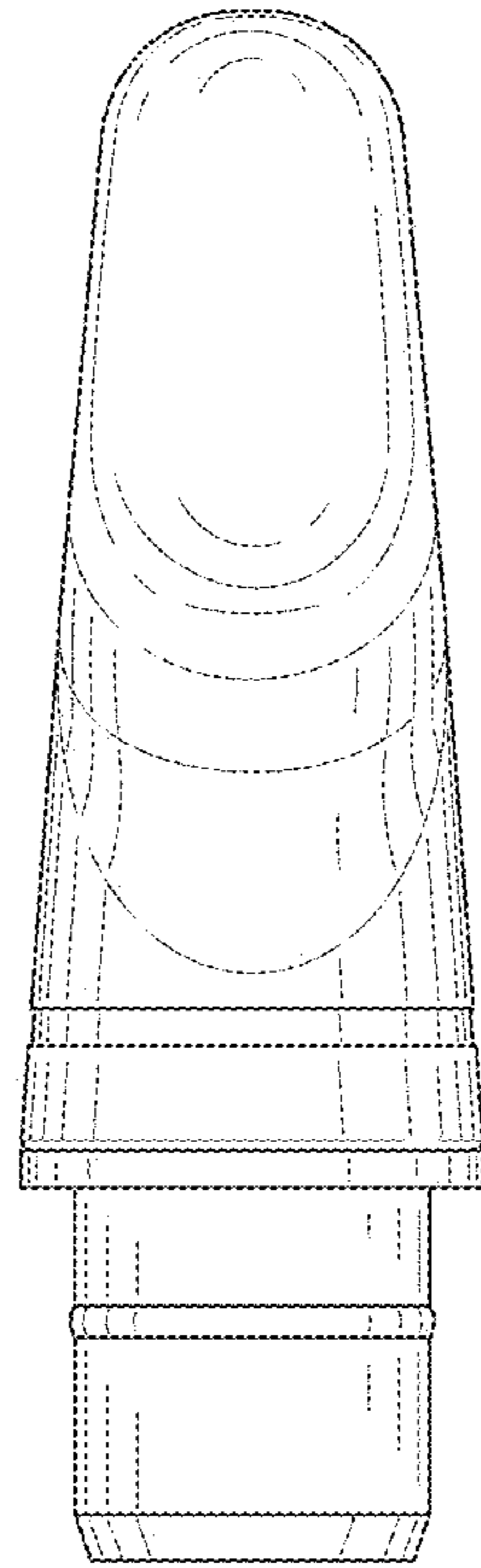


FIG. 4

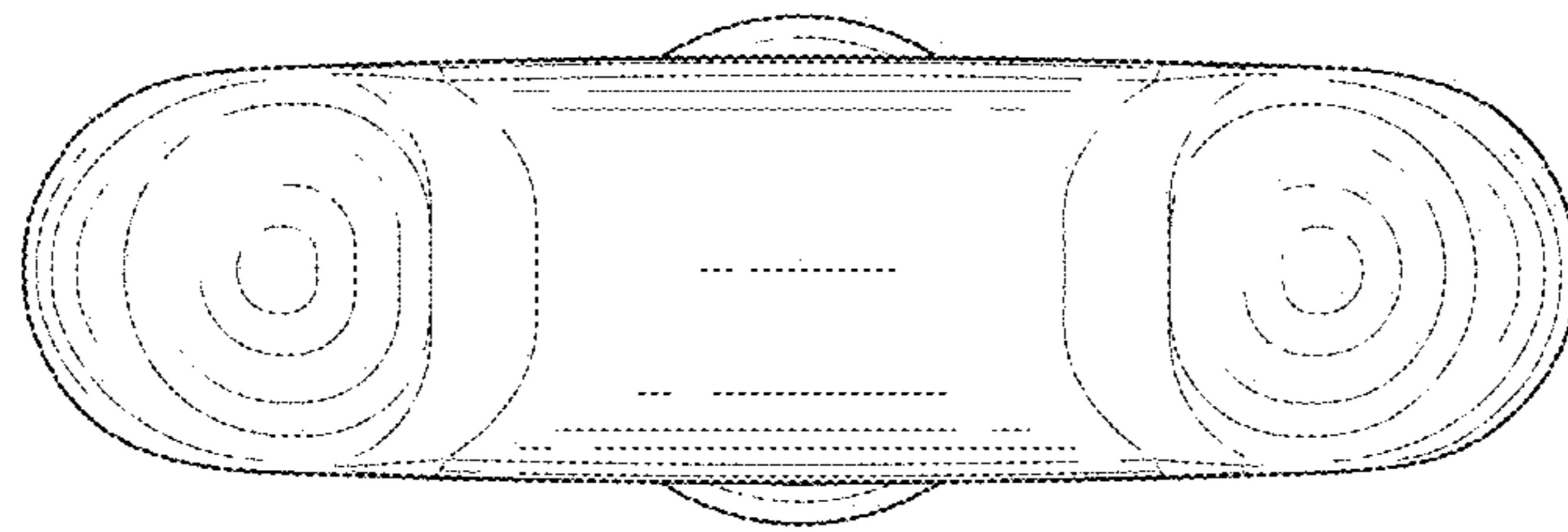


FIG. 5

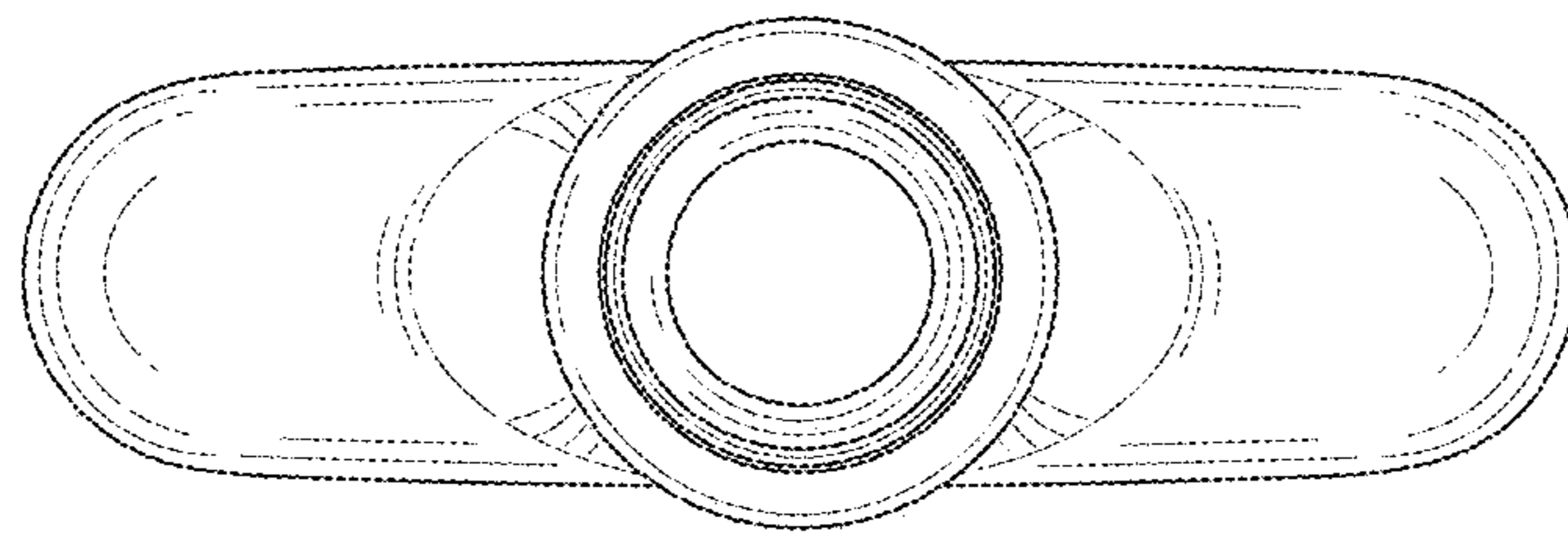


FIG. 6

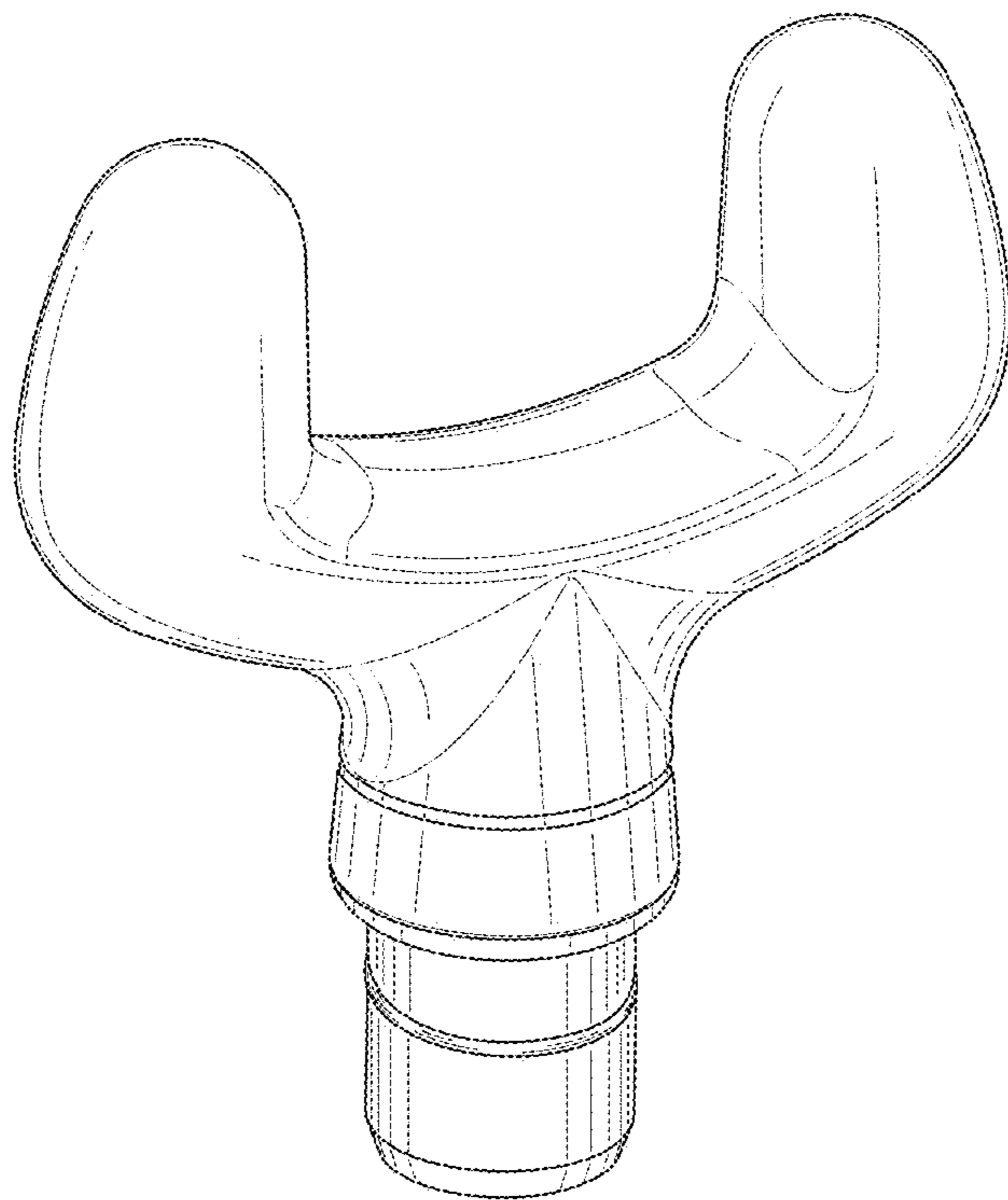


FIG. 7