



US00D946159S

(12) **United States Design Patent**  
**Habosha et al.**

(10) **Patent No.:** **US D946,159 S**  
(45) **Date of Patent:** **\*\* Mar. 15, 2022**

(54) **BABY TEETHER**

(71) Applicants: **Abraham Habosha**, Fort Lauderdale,  
FL (US); **Lindsay Miller**, Fort  
Lauderdale, FL (US)

(72) Inventors: **Abraham Habosha**, Fort Lauderdale,  
FL (US); **Lindsay Miller**, Fort  
Lauderdale, FL (US)

(\*\*) Term: **15 Years**

(21) Appl. No.: **29/780,694**

(22) Filed: **Apr. 26, 2021**

(51) **LOC (13) Cl.** ..... **24-04**

(52) **U.S. Cl.**  
USPC ..... **D24/195**

(58) **Field of Classification Search**  
USPC ..... D24/115, 117, 193, 194, 195, 196, 214;  
D30/160; D21/496, 576, 622, 625, 627,  
D21/628, 650, 659  
CPC ..... A61J 17/00; A61J 17/001; A61J 17/02  
See application file for complete search history.

(56) **References Cited**

**U.S. PATENT DOCUMENTS**

D264,630 S	5/1982	Nakao et al.	
D353,461 S *	12/1994	Byrd	D24/194
D367,740 S	3/1996	O'Rourke et al.	
D428,234 S	7/2000	Diamond	
D437,671 S *	2/2001	Fajerstein	D1/106
D441,072 S *	4/2001	Zamikhovsky	D24/115
6,699,264 B1 *	3/2004	Rohrig	A61J 17/10 606/234
D565,737 S	4/2008	Rohrig	
D674,495 S *	1/2013	Roehrig	D24/194
D721,439 S *	1/2015	Swartz	D24/194
D734,674 S *	7/2015	Tussy	D9/651
D742,018 S	10/2015	Frazier	
D826,413 S	8/2018	Eaton et al.	

D837,990 S	1/2019	Burnett	
D882,190 S *	4/2020	Bruxvoort	D30/160
D887,014 S	6/2020	Ferrell	
D887,015 S *	6/2020	Nelson	D24/195
D914,303 S *	3/2021	Tuthill	D30/160
2004/0210252 A1 *	10/2004	Minoguchi	A61J 17/02 606/234
2009/0248073 A1 *	10/2009	Kliegman	A61J 17/02 606/235
2019/0254933 A1 *	8/2019	Lake	A61J 17/001

**OTHER PUBLICATIONS**

"Preciosa: Glass Pacifier". Found online Aug. 20, 2021 at amazon.com. Reference dated May 14, 2013. Retrieved from [https://www.amazon.com/-/es/Preciosa-Chupete-de-cristal/dp/B00CS5BT5U/ref=sr\\_1\\_152?](https://www.amazon.com/-/es/Preciosa-Chupete-de-cristal/dp/B00CS5BT5U/ref=sr_1_152?)\*

(Continued)

*Primary Examiner* — Kendra Leslie Hamilton  
(74) *Attorney, Agent, or Firm* — Barry Choobin; Patent  
360

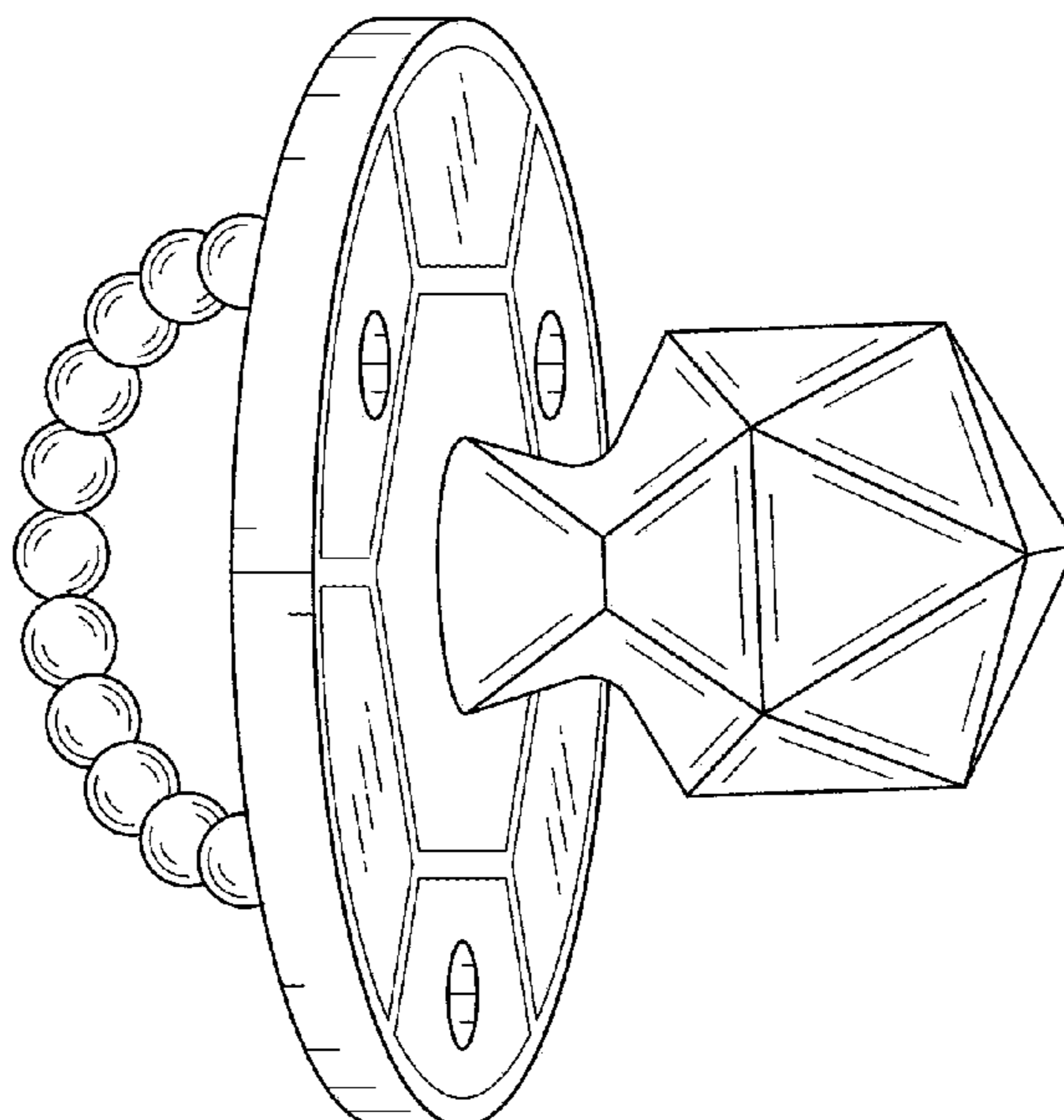
(57) **CLAIM**

The ornamental design for a baby teether, as shown and described.

**DESCRIPTION**

FIG. 1 is a top, front, left perspective view of a baby teether, showing our new design;  
FIG. 2 is a front elevation view thereof,  
FIG. 3 is a rear elevation view thereof;  
FIG. 4 is a right side elevation view thereof,  
FIG. 5 is a left side elevation view thereof;  
FIG. 6 is a top plan view thereof; and,  
FIG. 7 is a bottom plan view thereof.  
The broken lines in the drawings depict portions of the baby teether that form no part of the claimed design.  
The drawings are shaded to indicate contrasting surfaces.

**1 Claim, 4 Drawing Sheets**



(56)

**References Cited**

OTHER PUBLICATIONS

“Boon: Jewl Pacifier”. Found online Apr. 3, 2020 at facebook.com. Reference dated Jun. 3, 2019. Retrieved from <https://www.facebook.com/booninc/photos/a.160412824261/10156777600174262/?type=3>.\*

“Late Night Luna: Honeycomb Wood Bead Teether”. Found online Aug. 20, 2021 at etsy.com. Reference dated Jul. 31, 2017. Retrieved from <https://latenightluna.com/products/honeycomb-wood-bead-teething-toy>.\*

“Innobaby: Birthstone Ring Teether”. Found online Mar. 31, 2020 at instagram.com. Reference dated Feb. 17, 2018. Retrieved from <https://www.instagram.com/p/BFT1yV9luWM/>.\*

\* cited by examiner

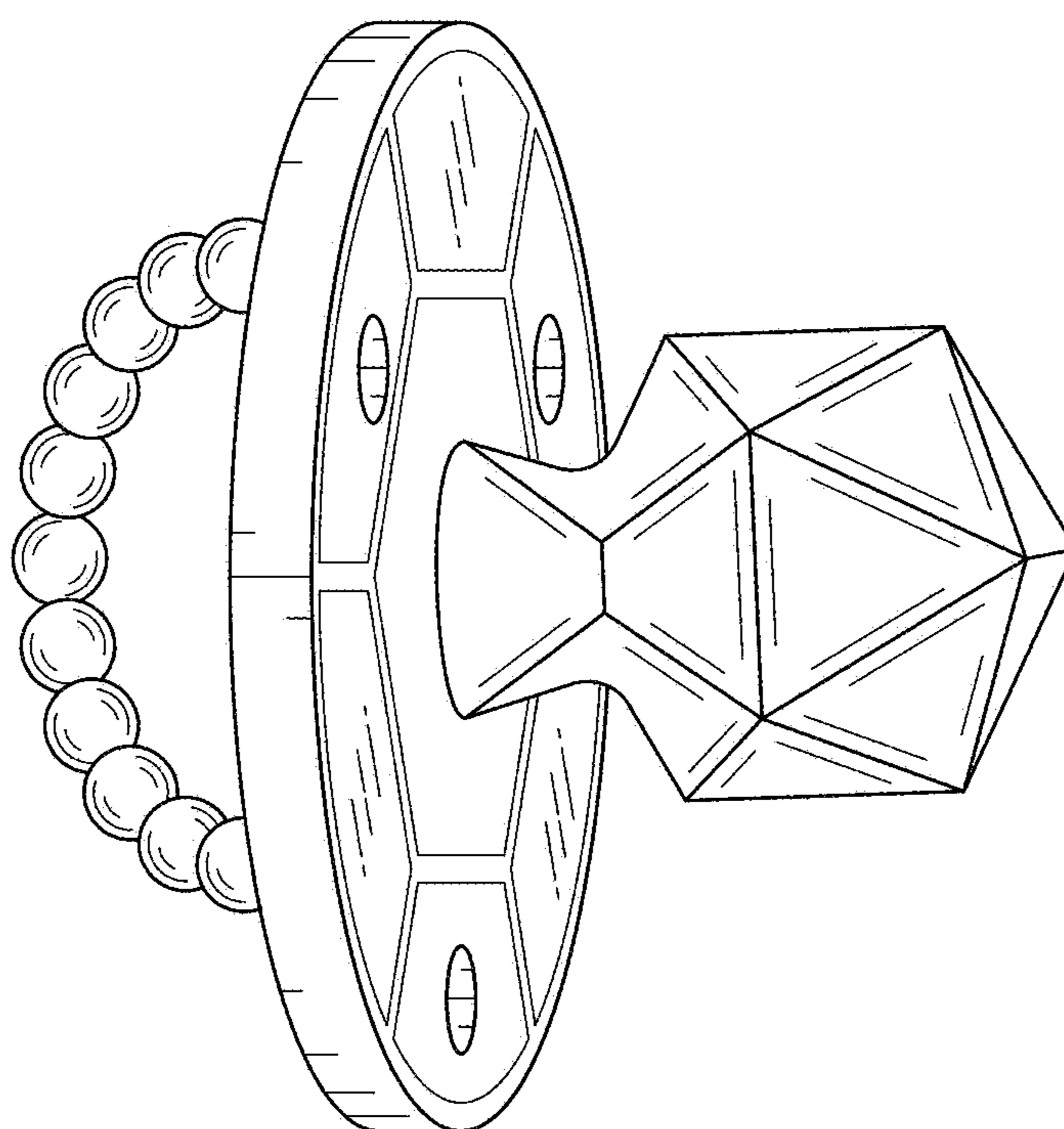


FIG. 1

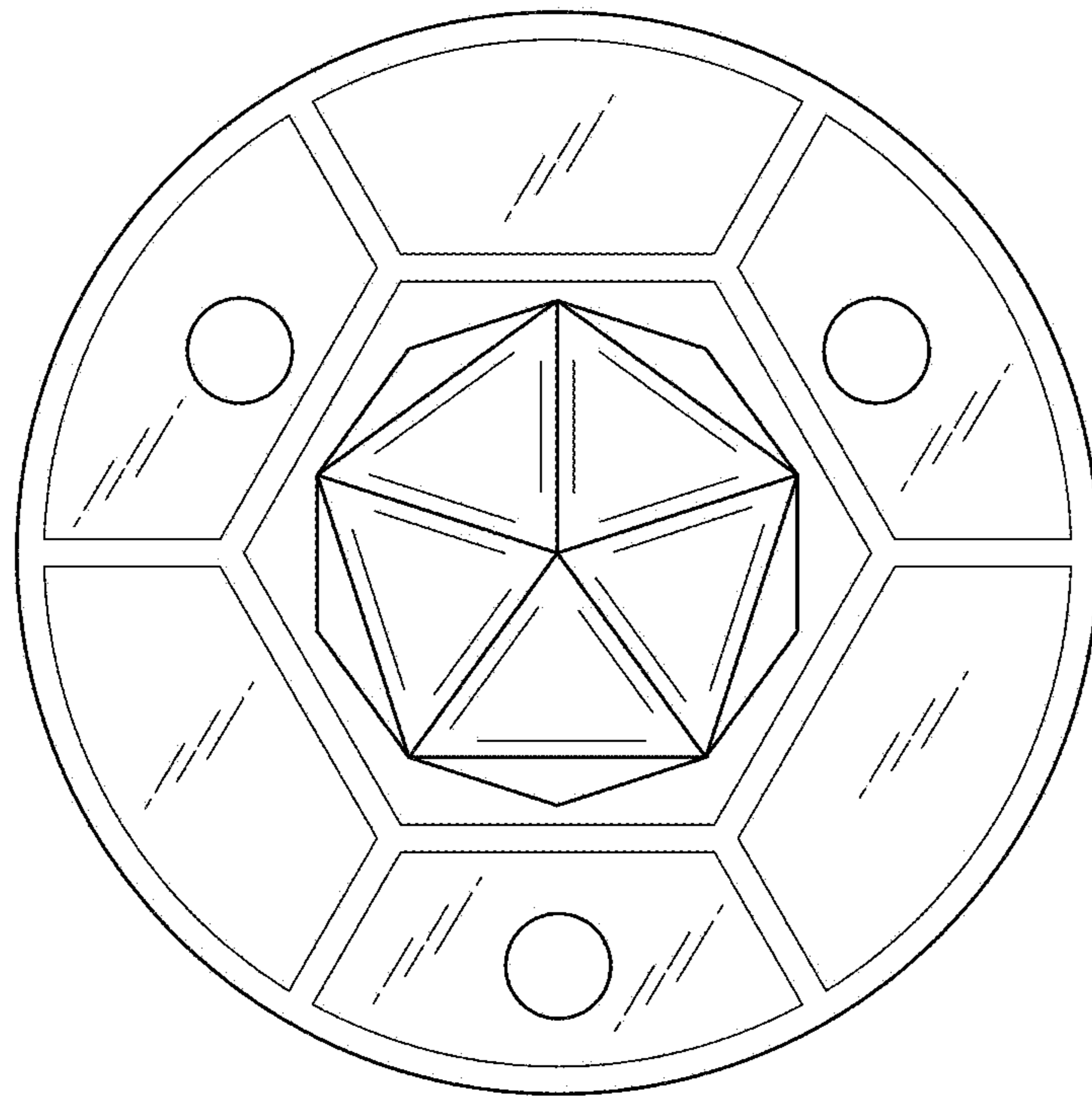


FIG. 2

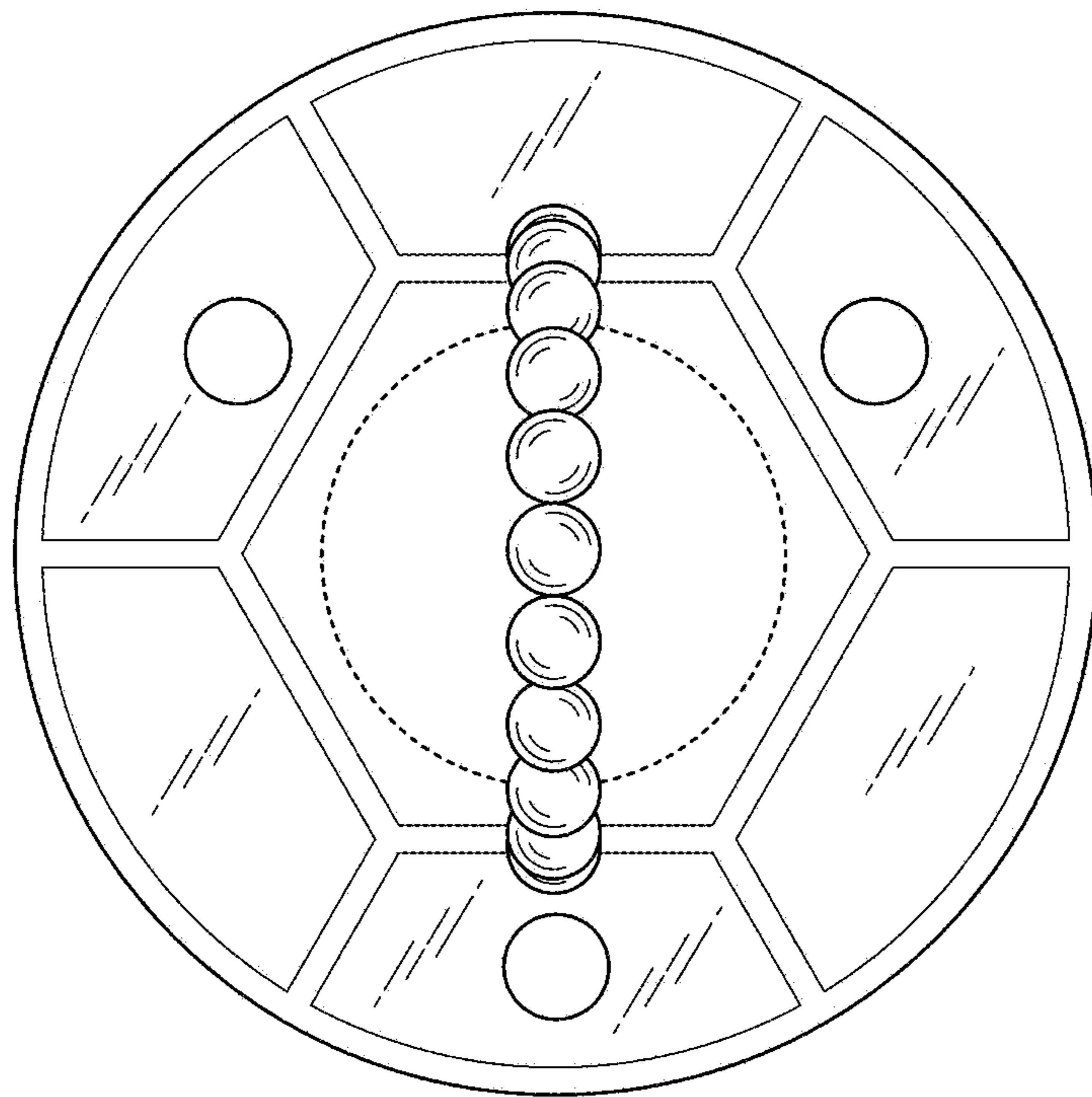


FIG. 3

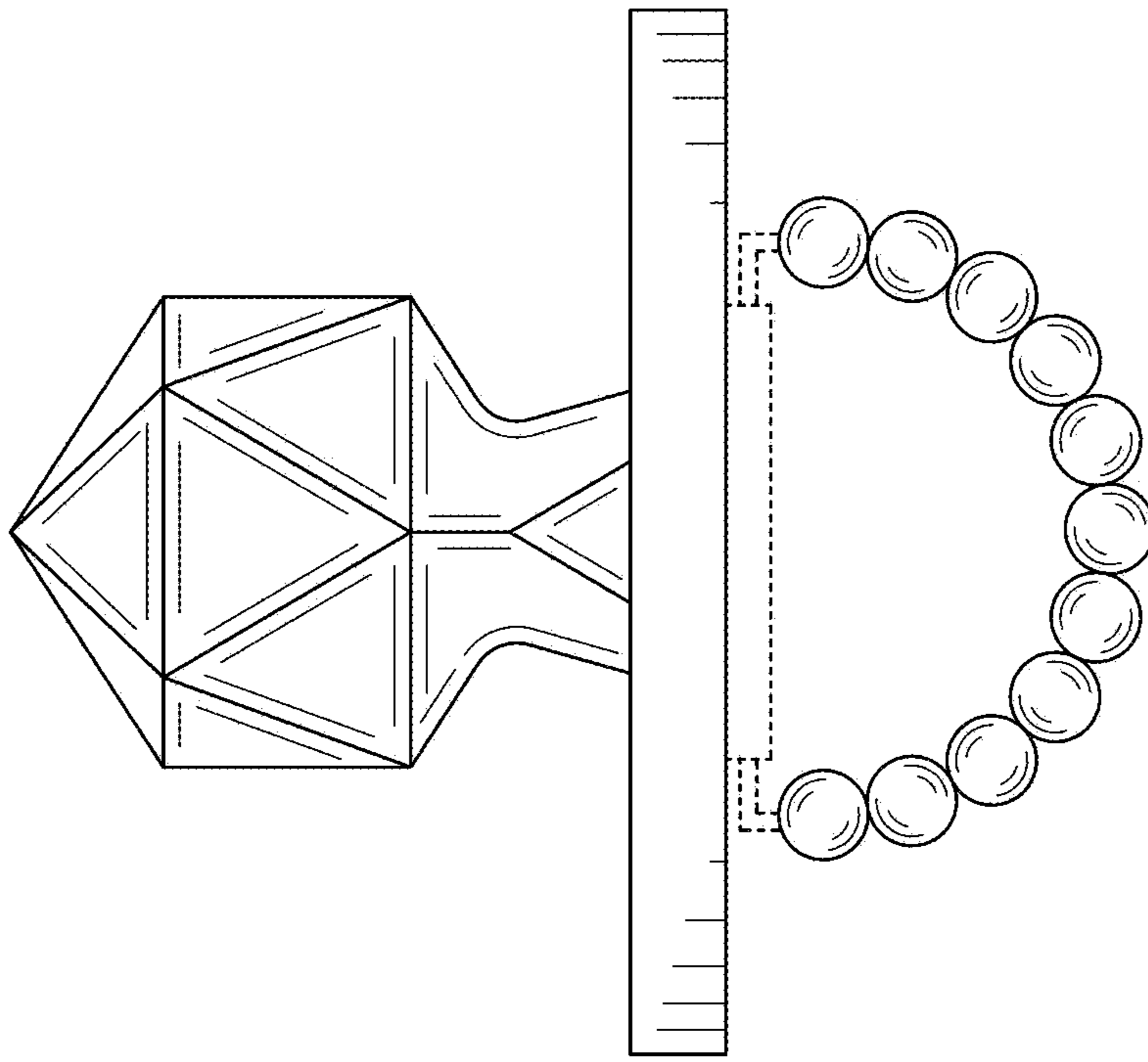


FIG. 4

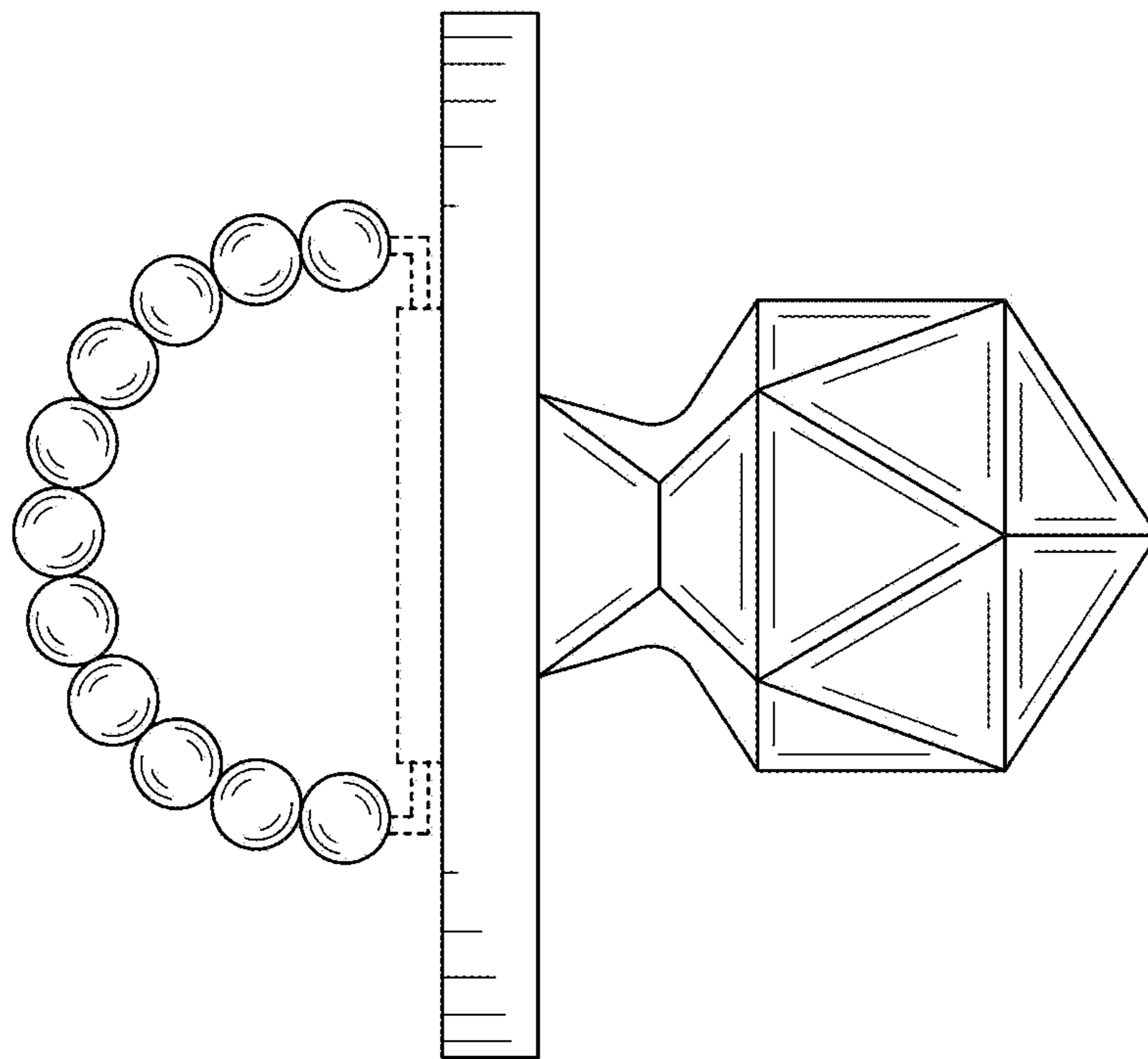


FIG. 5

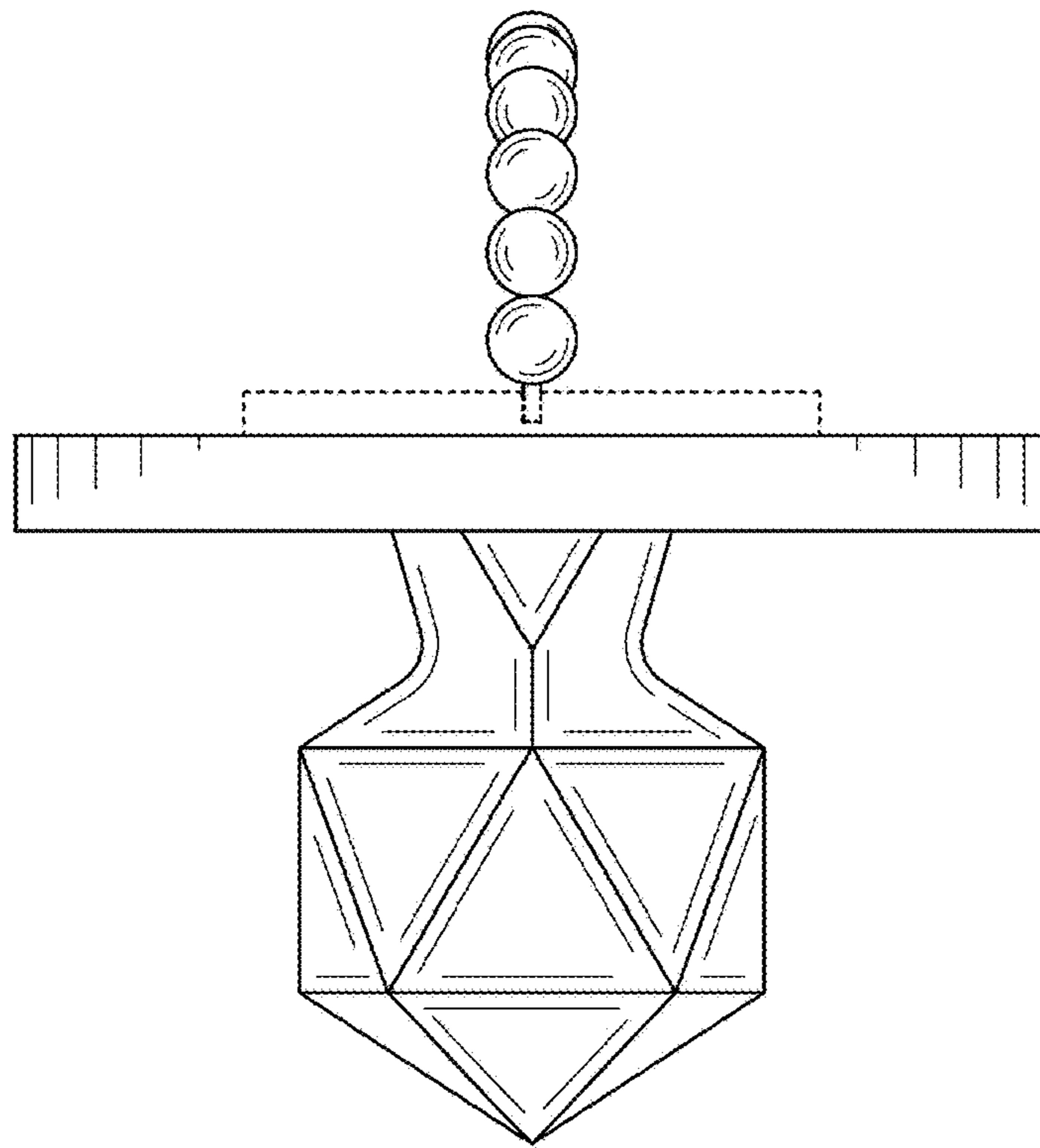


FIG. 6

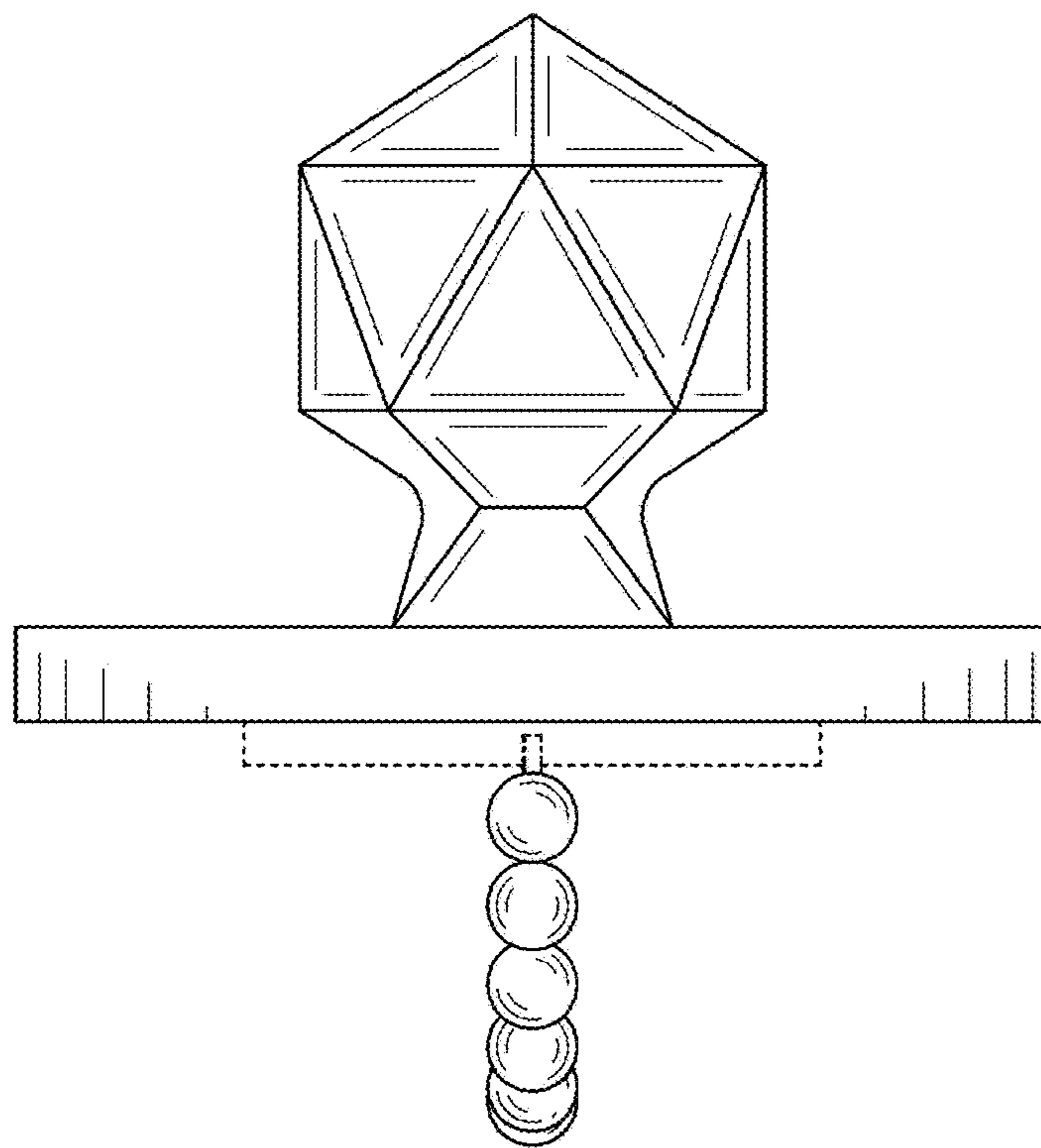


FIG. 7