

US00D946157S

(12) **United States Design Patent** (10) **Patent No.:** **US D946,157 S**
Moller (45) **Date of Patent:** **** Mar. 15, 2022**

(54) **BED ASSISTING SEAT**
(71) Applicant: **Anding v/Anders Lykkegaard Moller,**
Sonderborg (DK)
(72) Inventor: **Anders Lykkegaard Moller,**
Sonderborg (DK)
(73) Assignee: **ANDING V/ANDERS**
LYKKEGAARD MOLLER

(**) Term: **15 Years**
(21) Appl. No.: **29/736,837**
(22) Filed: **Jun. 3, 2020**

(30) **Foreign Application Priority Data**

Dec. 11, 2019 (EM) 007371968

(51) **LOC (13) Cl.** **24-02**

(52) **U.S. Cl.**
USPC **D24/190; D6/375**

(58) **Field of Classification Search**
USPC D24/188, 190, 183, 178, 231;
D6/374-375, 377, 382, 385, 406.3
CPC A61G 1/003; A61G 7/1011; A61G 7/1069;
A61G 7/109; A47C 4/028
See application file for complete search history.

(56) **References Cited**

U.S. PATENT DOCUMENTS

D164,619 S * 9/1951 Bargaen D6/375
2,893,469 A * 7/1959 Eames A47C 1/124
297/239
D325,087 S * 3/1992 Brinker D24/190
D554,386 S * 11/2007 Nobles D6/366
D555,254 S * 11/2007 Buethorn D24/190
D612,165 S * 3/2010 Caggiano D6/372
D636,493 S * 4/2011 Teufel D24/183
D646,086 S * 10/2011 Hickman D6/716
D683,559 S * 6/2013 Weber D6/716
D689,616 S * 9/2013 Chang D24/190

D738,656 S * 9/2015 Parisi D6/716
D834,867 S * 12/2018 Kolberg D6/716
D875,949 S * 2/2020 Clark D24/183
D903,360 S * 12/2020 Stevens D6/375
D907,393 S * 1/2021 Fioravanti D6/375
D912,429 S * 3/2021 Bergsma D6/375
D915,097 S * 4/2021 Yu D6/375
2015/0290057 A1 * 10/2015 Moller A61G 1/003
297/34
2018/0042791 A1 * 2/2018 Eriksen A61G 1/017

FOREIGN PATENT DOCUMENTS

EM 007371968-0001 * 3/2020
GB 9007371968-0001 * 12/2019

OTHER PUBLICATIONS

Speedster Seat Without Upholstery | Rock West Racing, Volkswagen,
Pinterest: Tom Slider, [Post date unknown], [Site seen Nov. 10,
2021], Seen at URL: <https://nl.pinterest.com/pin/153755774760933575/>
(Year: 2021).*

* cited by examiner

Primary Examiner — Natasha Vujcic
Assistant Examiner — Gilbert B Ford
(74) *Attorney, Agent, or Firm* — Ware, Fressola, Maguire
& Barber LLP

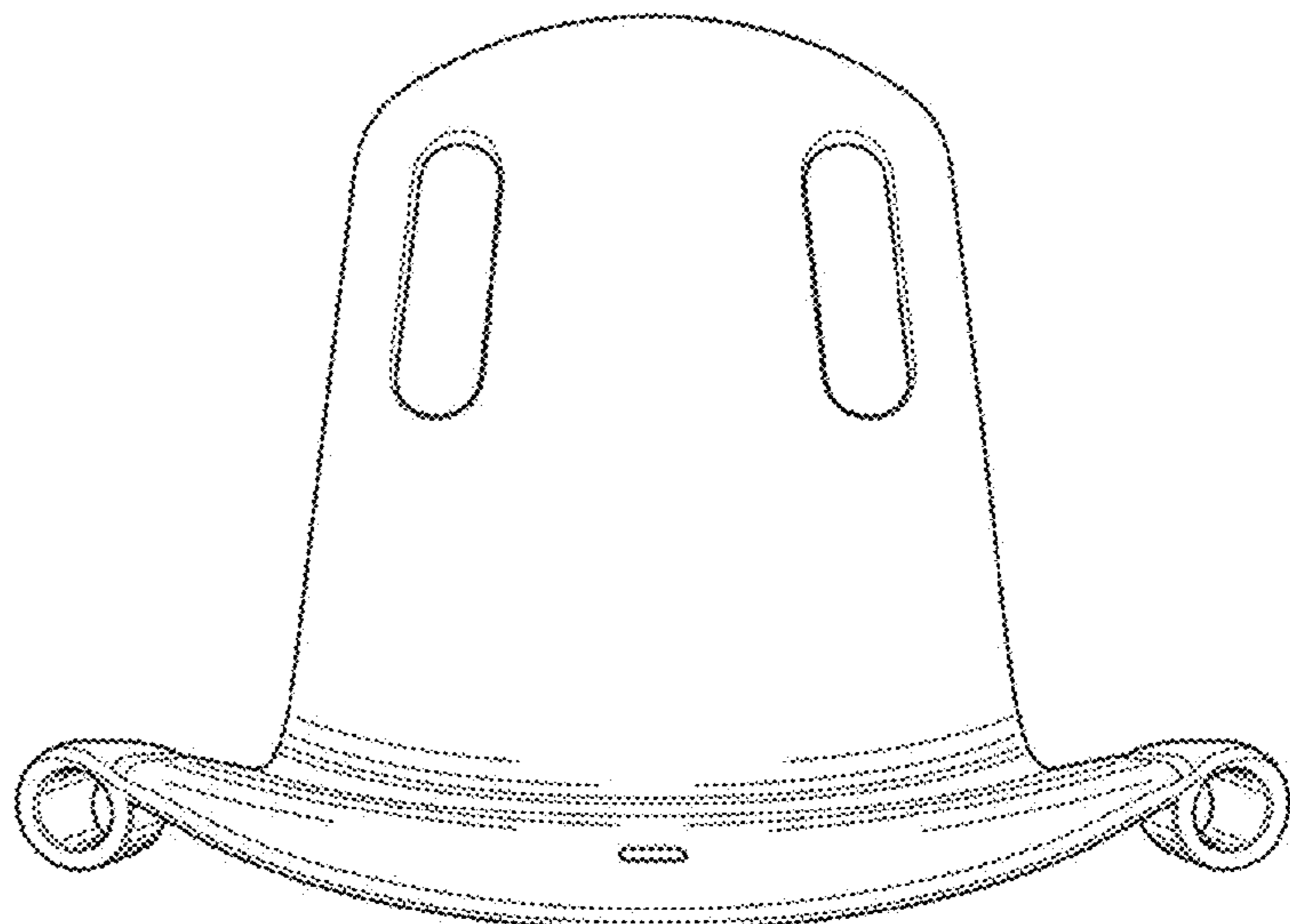
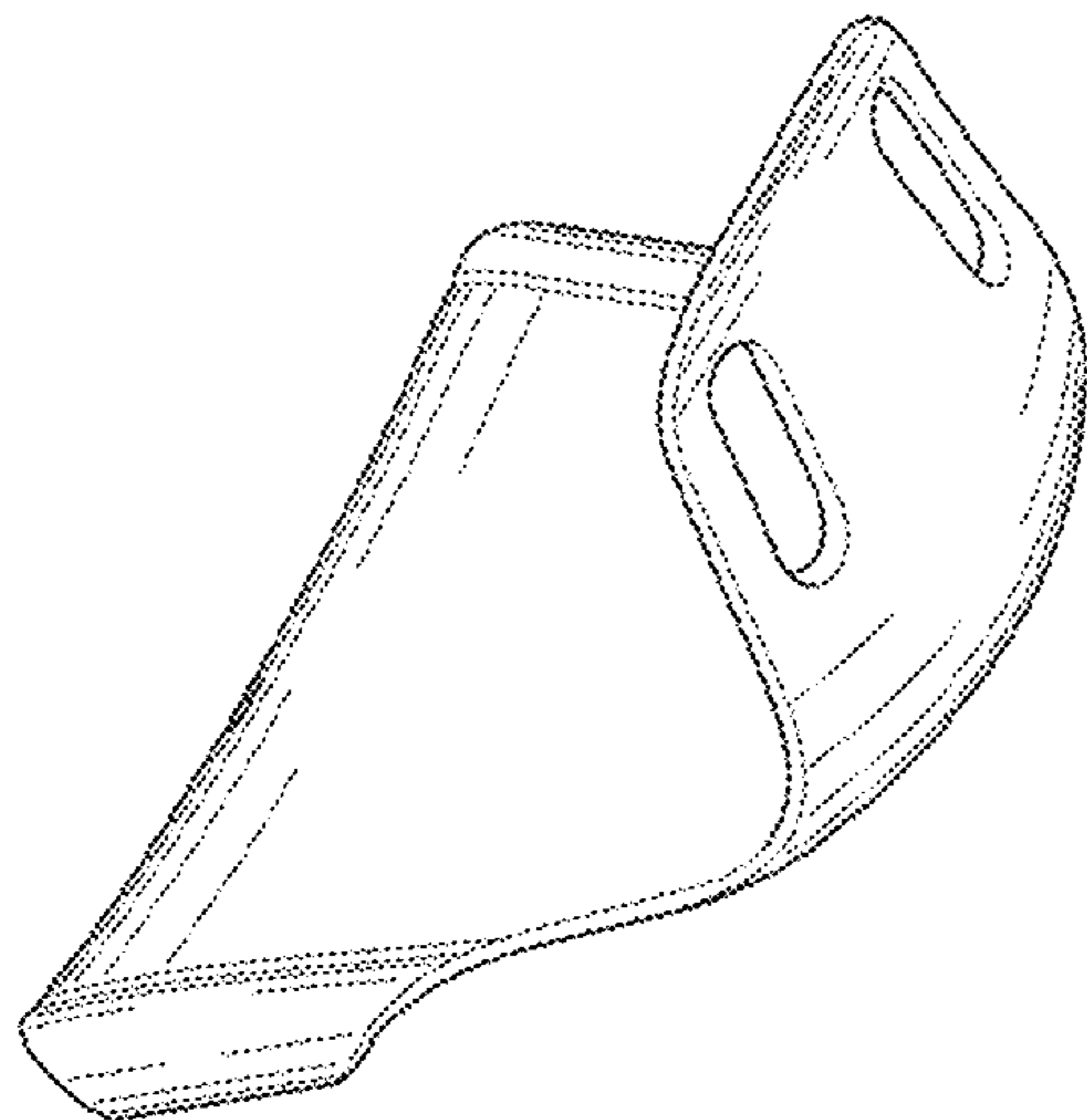
(57) **CLAIM**

I claim the ornamental design for a bed assisting seat, as
shown and described.

DESCRIPTION

FIG. 1 is a perspective view of a bed assisting seat;
FIG. 2 is a bottom view of the device;
FIG. 3 is a front elevational view of the device;
FIG. 4 is a rear elevational view of the device;
FIG. 5 is a left side elevational view of the device;
FIG. 6 is a right side elevational view of the device; and,
FIG. 7 is a top view of the device.

1 Claim, 7 Drawing Sheets



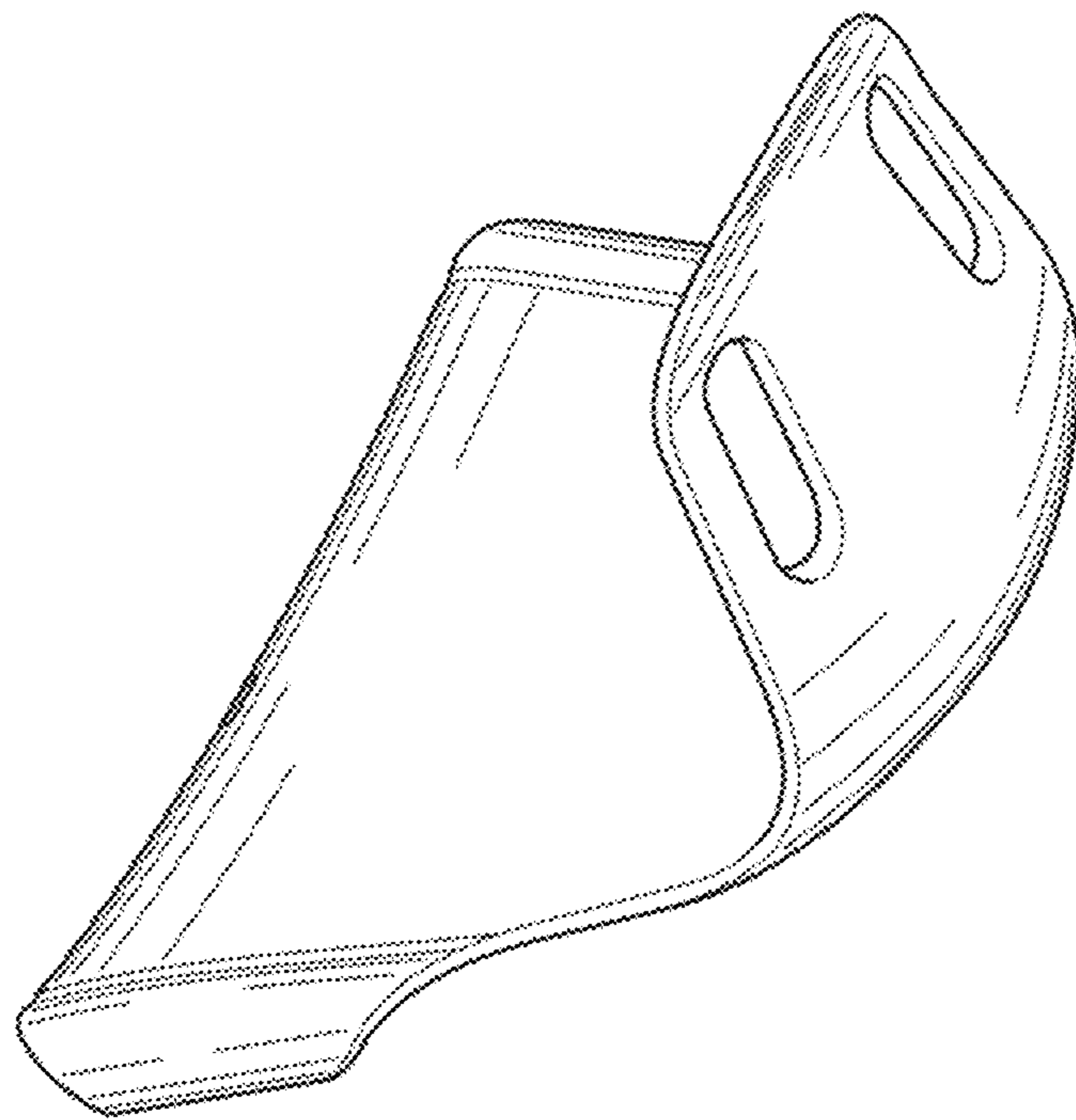


FIG. 1

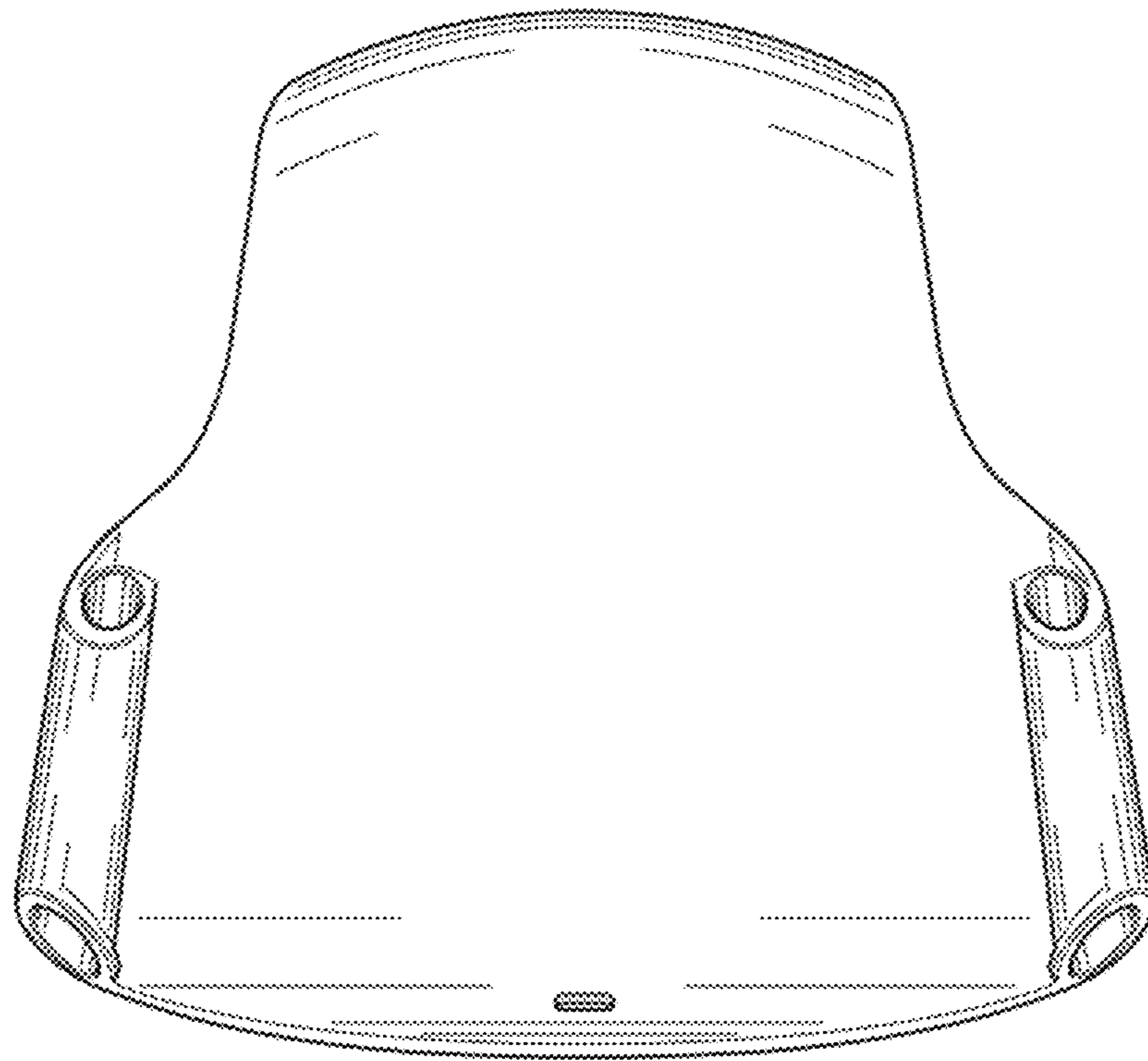


FIG. 2

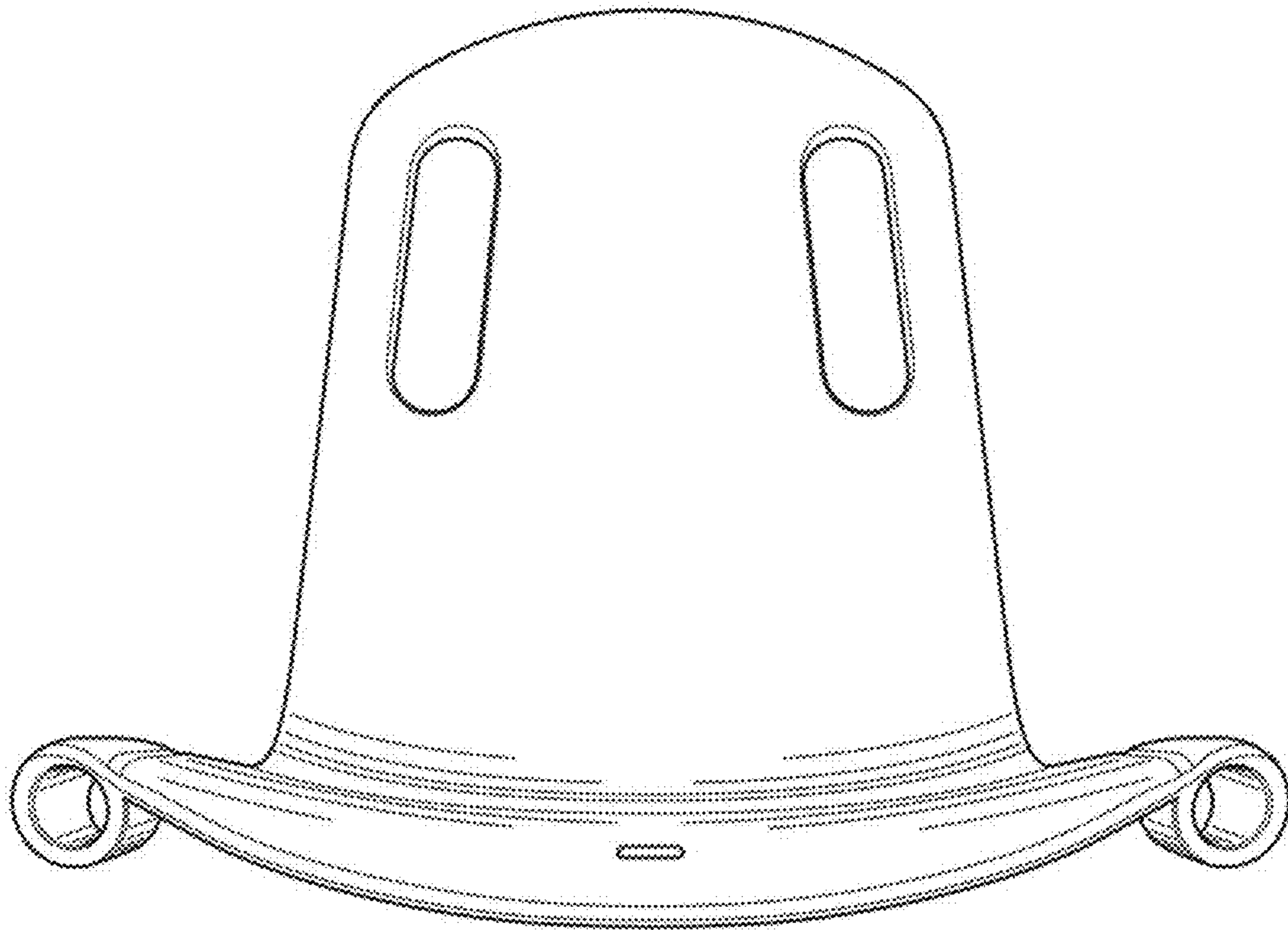


FIG. 3

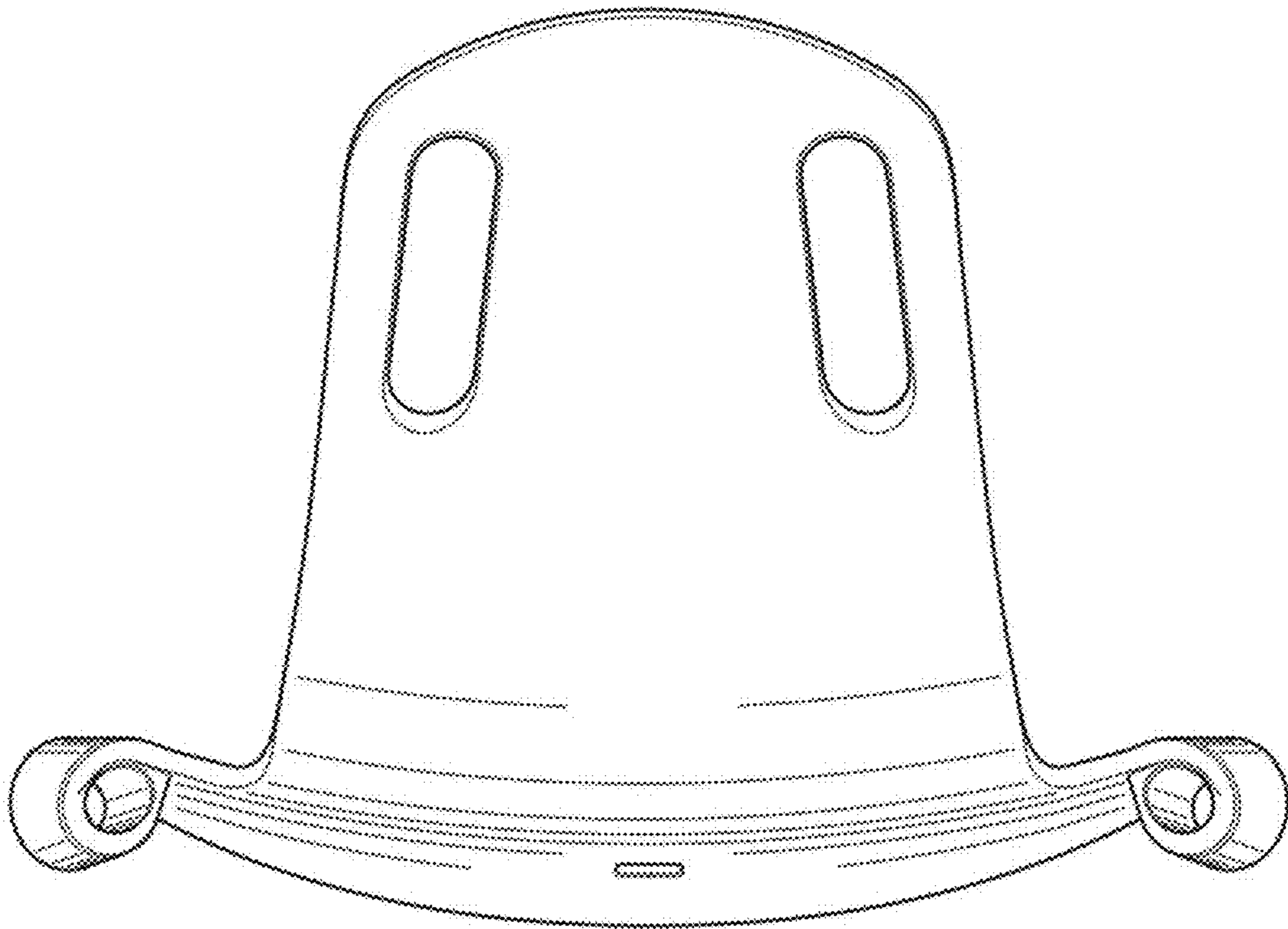


FIG. 4

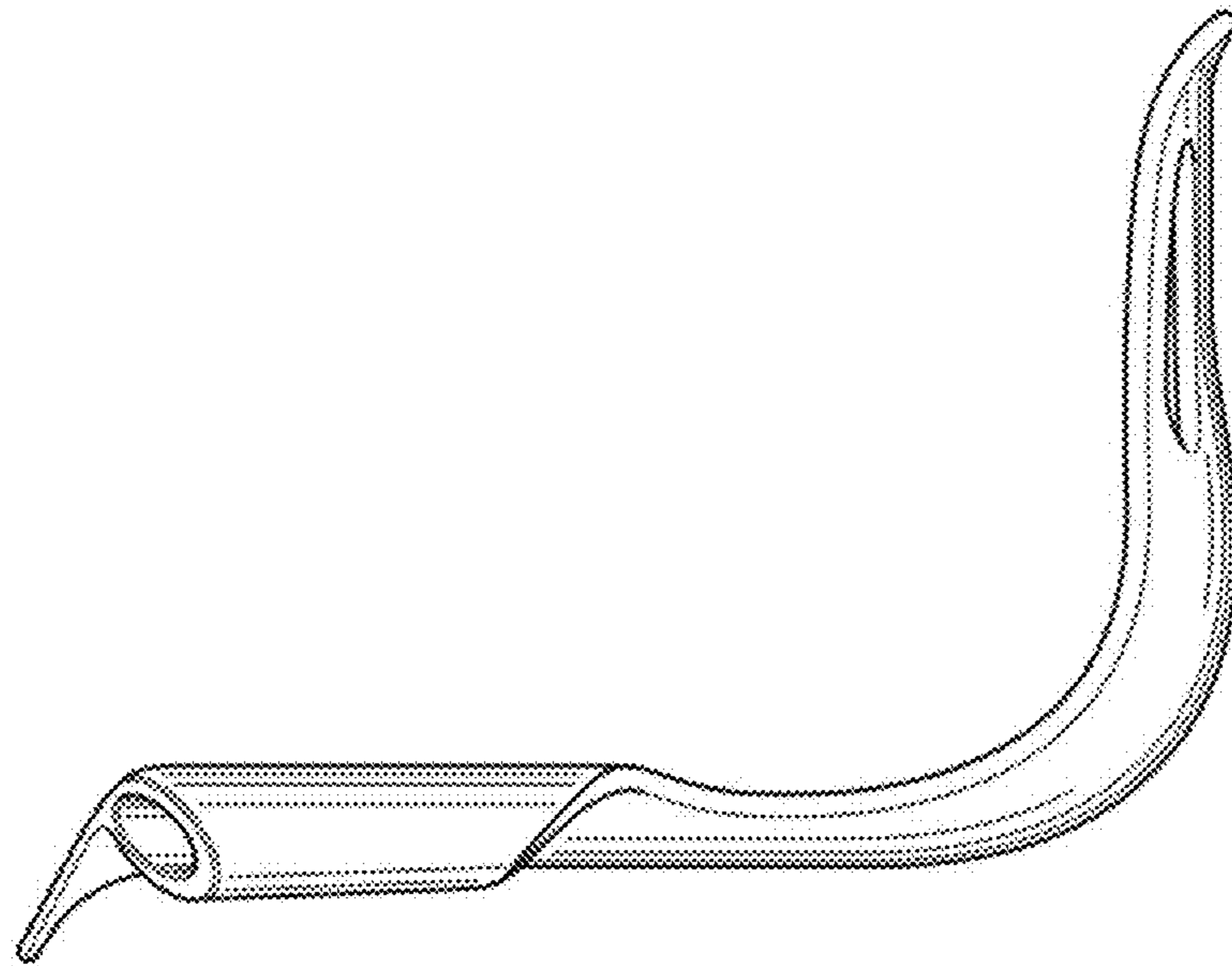


FIG. 5

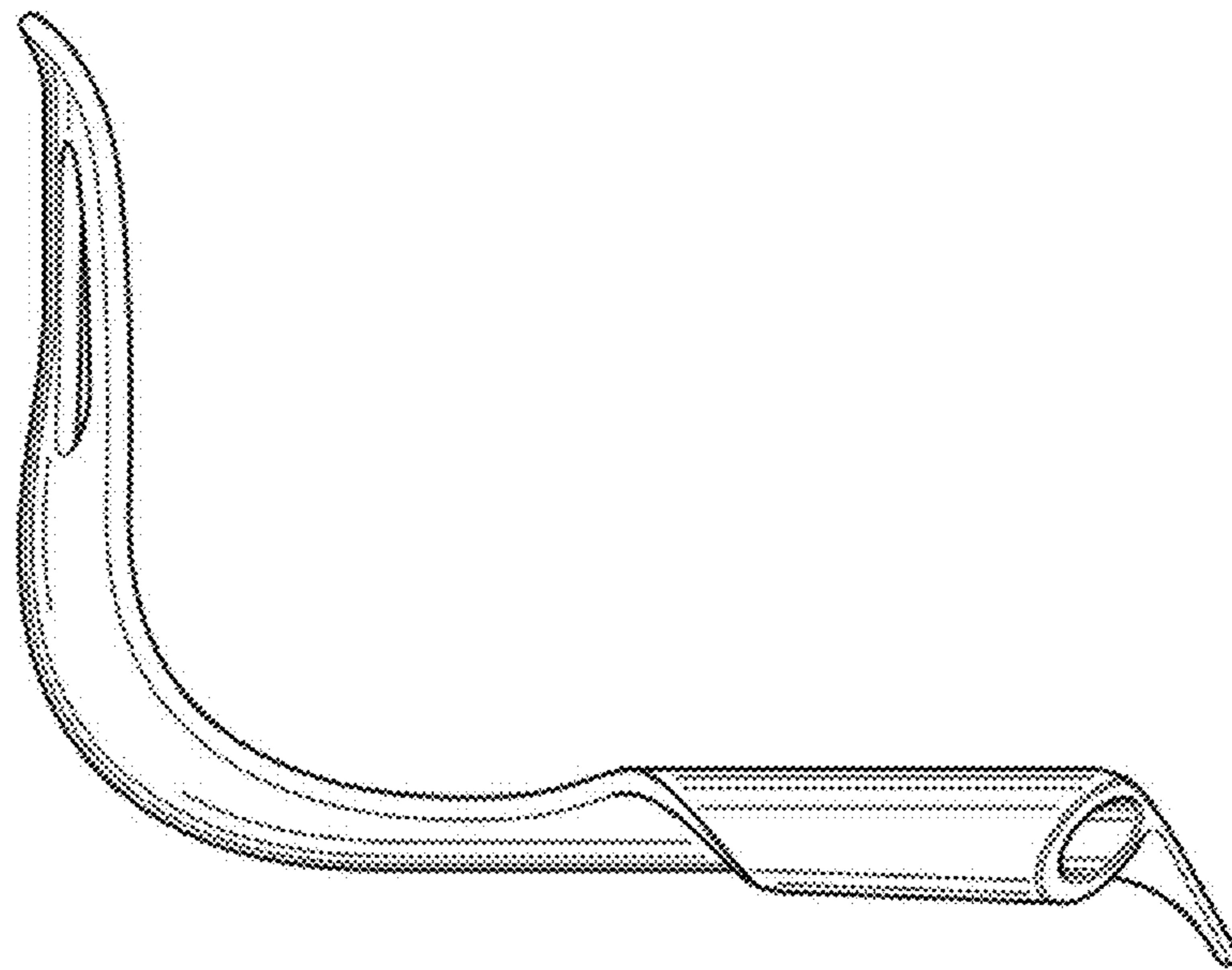


FIG. 6

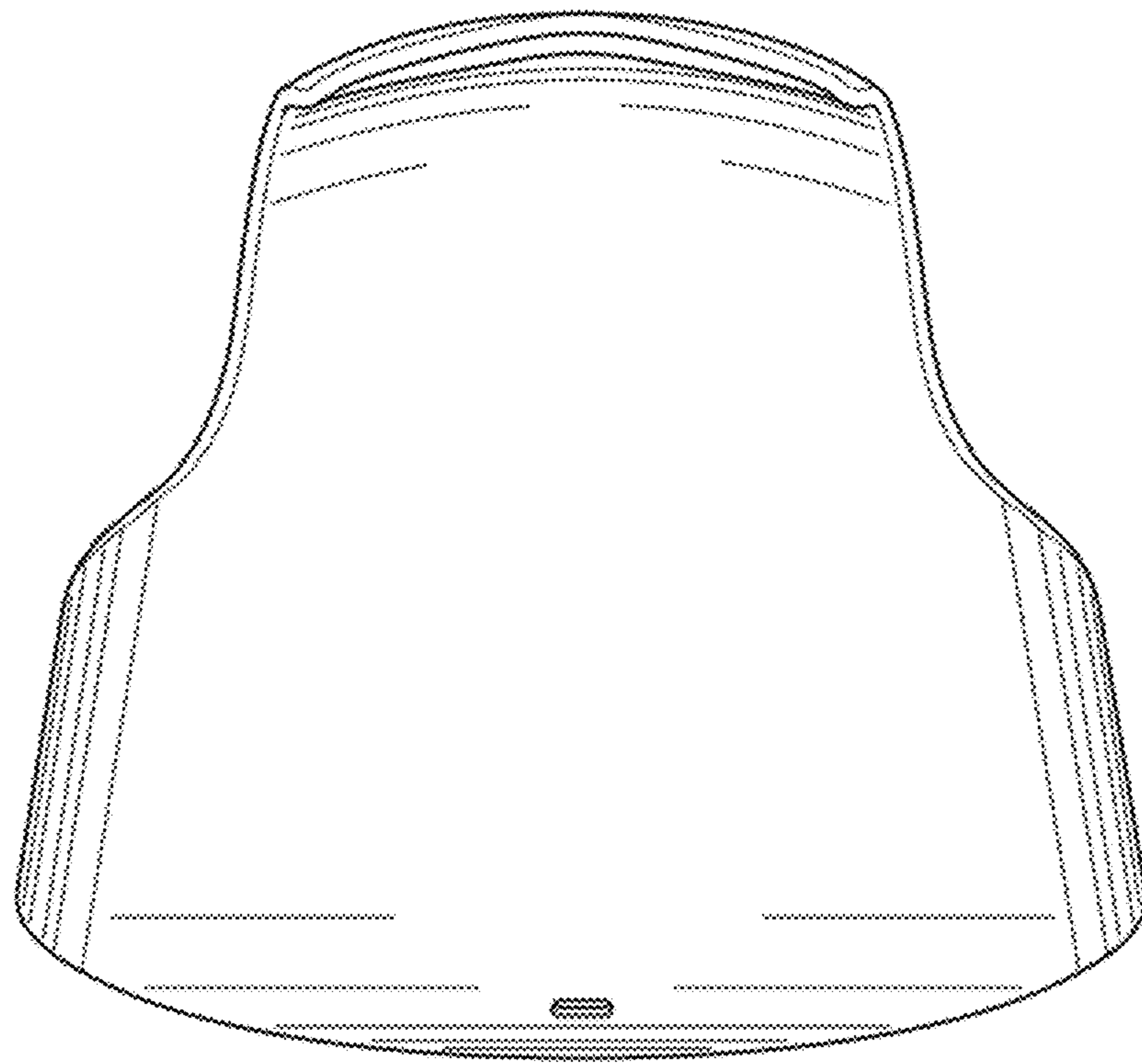


FIG. 7