



US00D946154S

(12) **United States Design Patent** (10) **Patent No.:** **US D946,154 S**
Chen et al. (45) **Date of Patent:** **** Mar. 15, 2022**

(54) **ELECTRODE FOR A MEDICAL DEVICE**

(71) Applicants: **Guangren Chen**, Arcadia, CA (US);
Rong Yang, Porter Ranch, CA (US);
Jialun Chen, Arcadia, CA (US); **Jiali Chen**, Palm Harbor, FL (US)

(72) Inventors: **Guangren Chen**, Arcadia, CA (US);
Rong Yang, Porter Ranch, CA (US);
Jialun Chen, Arcadia, CA (US); **Jiali Chen**, Palm Harbor, FL (US)

(**) Term: **15 Years**

(21) Appl. No.: **29/770,134**

(22) Filed: **Feb. 9, 2021**

(51) **LOC (13) Cl.** **24-02**

(52) **U.S. Cl.**
USPC **D24/187**

(58) **Field of Classification Search**
USPC D24/107, 164–169, 186, 187, 189, 200;
D30/160; D10/70, 75, 98
CPC A61B 5/0002; A61B 5/042; A61B 5/0404;
A61B 5/0416; A61N 1/046; A61N 1/0472; A61N 1/0476; A61N 1/110492;
A61N 1/0456; A61N 1/37211; A61N 1/37235; A61N 1/3787; A61N 1/322;
A61N 1/0404; A61N 1/0452

See application file for complete search history.

(56) **References Cited**

U.S. PATENT DOCUMENTS

D240,166 S	*	6/1976	Cartmell et al.	D24/187
5,427,096 A	*	6/1995	Bogusiewicz	A61N 1/0452
					600/396
D456,907 S	*	5/2002	Sanfilippo	D24/187
D478,668 S	*	8/2003	Epstein	D24/187
D558,352 S	*	12/2007	Sanfilippo	D24/187
D758,595 S	*	6/2016	Zhao	D24/187

D831,830 S	*	10/2018	Lemons	D24/168
D857,205 S	*	8/2019	Lemons	D24/168
D879,305 S	*	3/2020	Gu	D24/187
D905,253 S	*	12/2020	Hubelbank	D24/189
D907,783 S	*	1/2021	Cole	D24/187
D927,699 S	*	8/2021	Al-Ali	D24/187
D932,035 S	*	9/2021	McDonough	D24/200
D932,640 S	*	10/2021	McDonough	D24/200

FOREIGN PATENT DOCUMENTS

FR		180343	*	5/1980
JP		D2009-13568	*	6/2010

OTHER PUBLICATIONS

ECG Electrodes. Online, published date unknown. Retrieved on Jan. 17, 2022 from URL: <https://www.indiamart.com/proddetail/ecg-electrodes-10515550030.html>.*

* cited by examiner

Primary Examiner — Omeed Agilee

(74) *Attorney, Agent, or Firm* — Kasha Law LLC; John R. Kasha; Kelly L. Kasha

(57) **CLAIM**

The ornamental design for a electrode for a medical device, as shown and described.

DESCRIPTION

FIG. 1 is a top view of an electrode for a medical device, in accordance with the present invention.

FIG. 2 is a bottom view thereof.

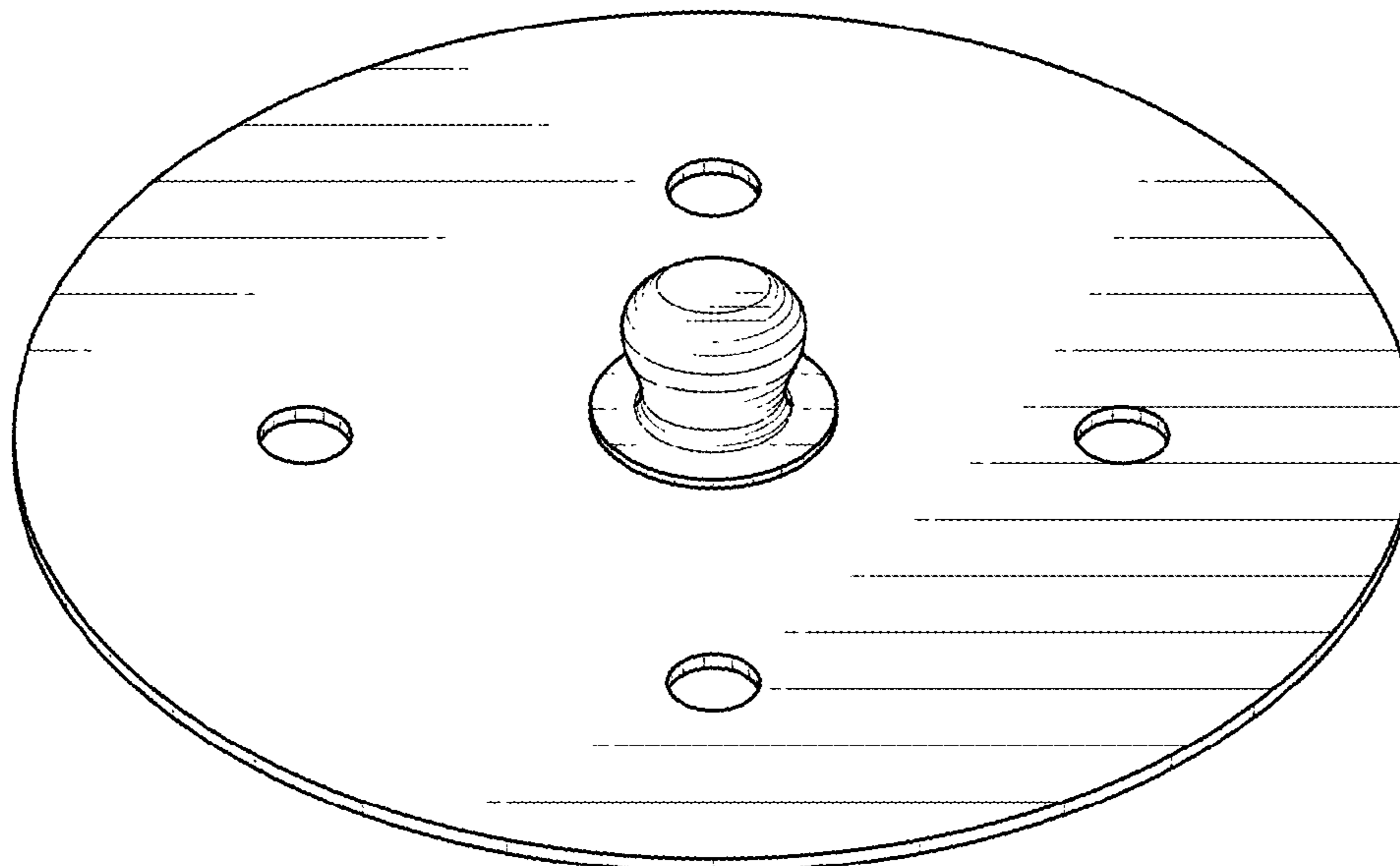
FIG. 3 is a side view thereof.

FIG. 4 is a top perspective view thereof; and,

FIG. 5 is a bottom perspective view thereof.

The ornamental design is an electrode for a medical device, such as but not limited to, a vital sign monitor, a Holter monitor, an EKG/ECG, a stress test ECG.

1 Claim, 2 Drawing Sheets



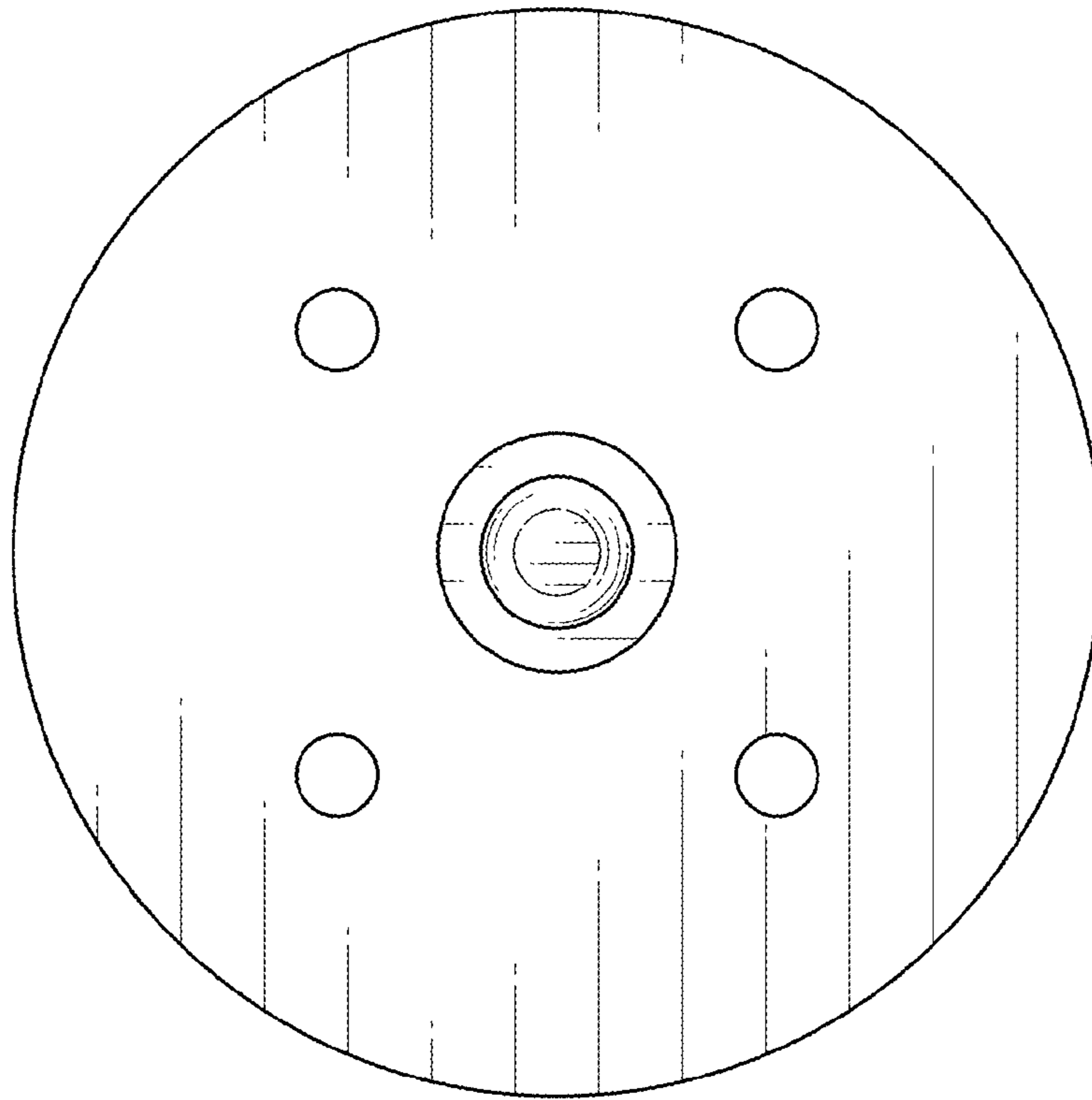


FIG. 1

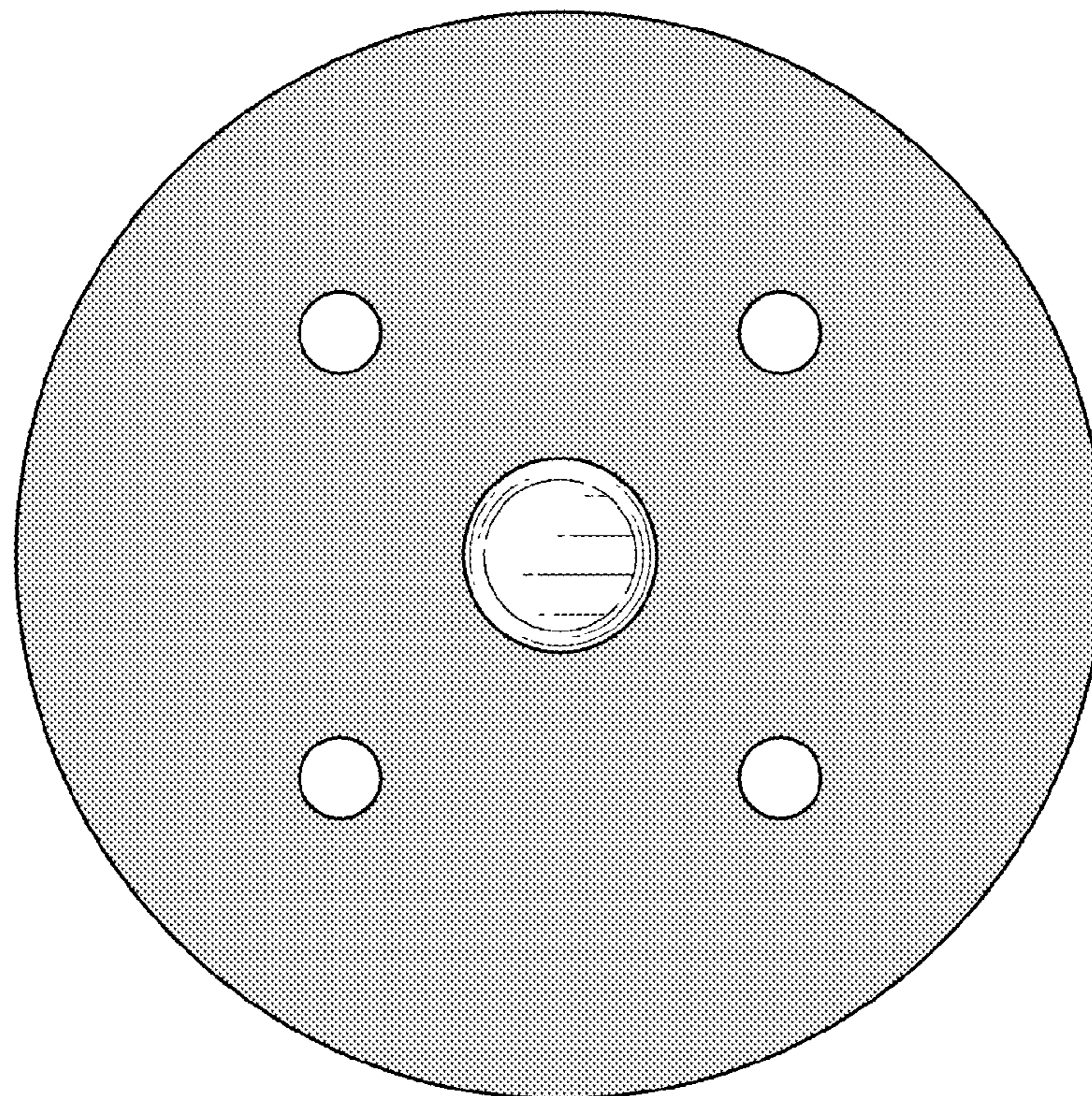


FIG. 2

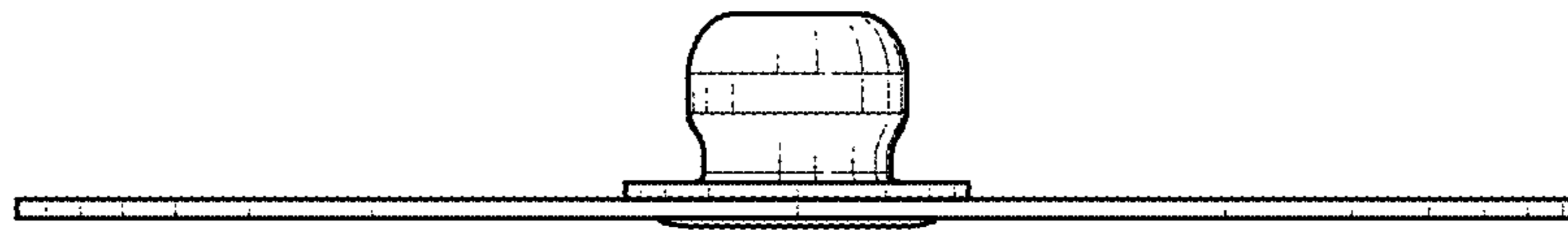


FIG. 3

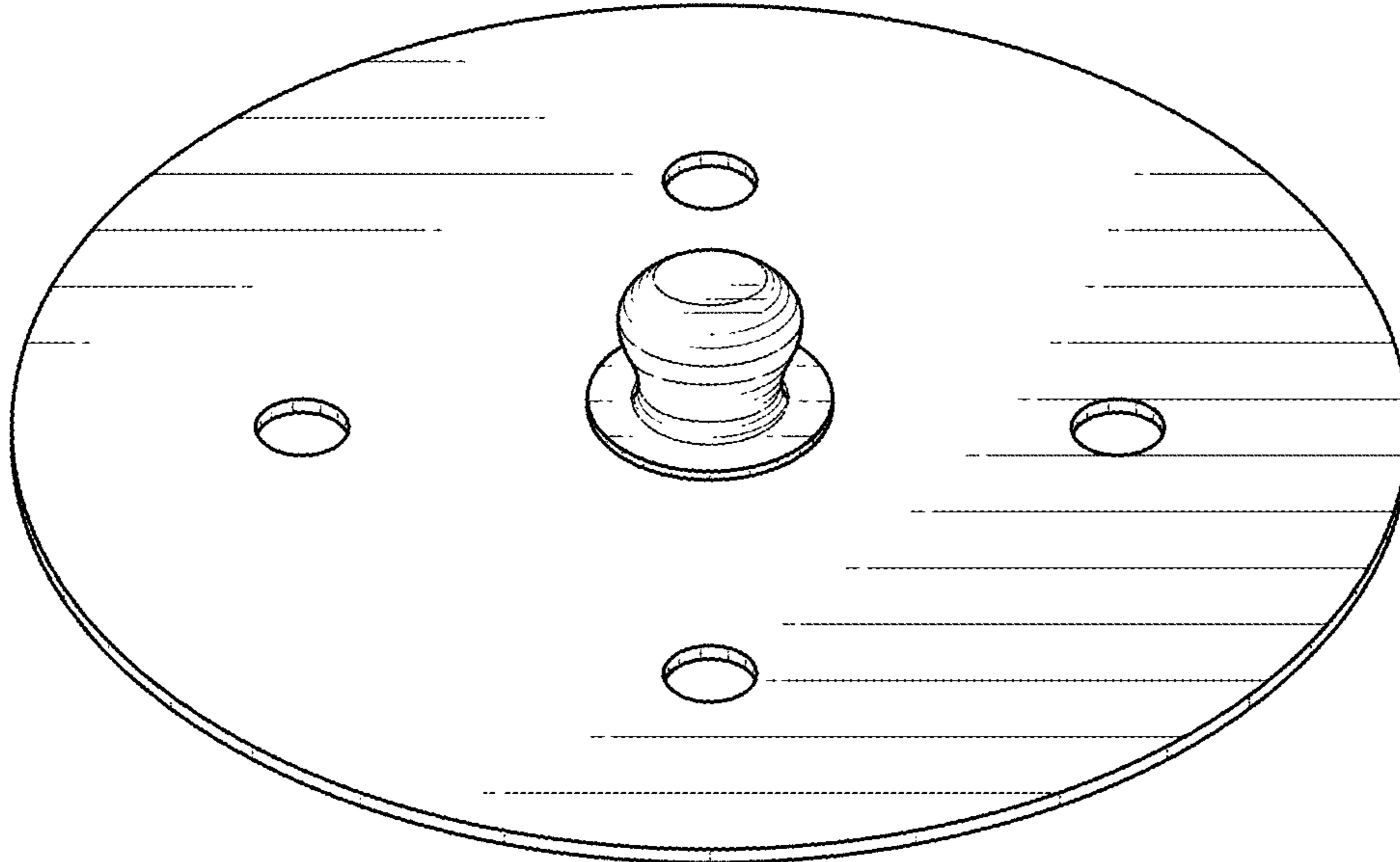


FIG. 4

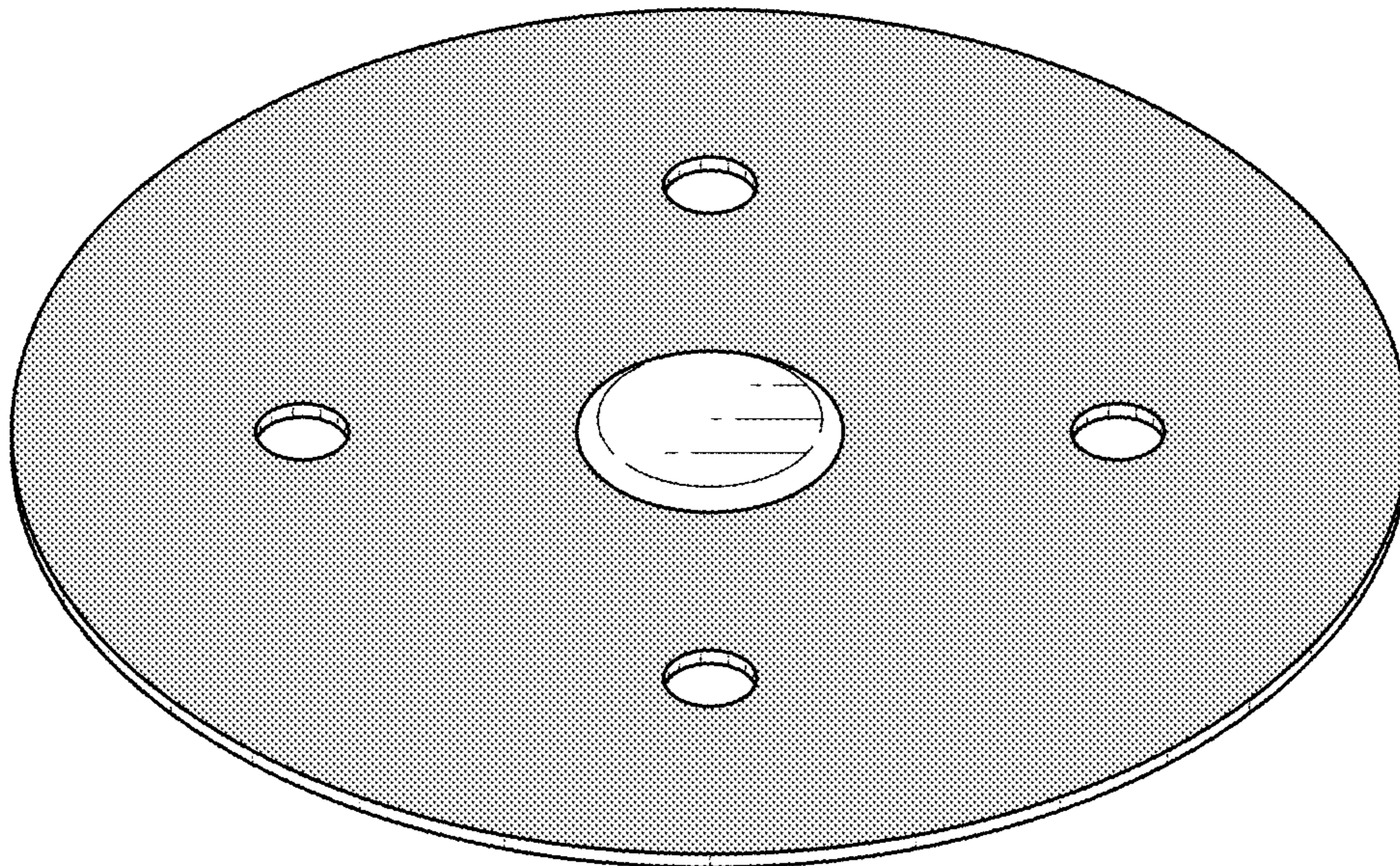


FIG. 5