



US00D946152S

(12) **United States Design Patent**
Cain et al.

(10) **Patent No.:** **US D946,152 S**
(45) **Date of Patent:** **** Mar. 15, 2022**

- (54) **MEDICAL DEVICE**
- (71) Applicant: **MIRUS LLC**, Marietta, GA (US)
- (72) Inventors: **David Brett Cain**, Marietta, GA (US);
Jay Yadav, Atlanta, GA (US); **Wayne Gray**, Mableton, GA (US); **Nathaniel Magee**, Atlanta, GA (US)
- (73) Assignee: **MiRus LLC**, Marietta, GA (US)
- (**) Term: **15 Years**
- (21) Appl. No.: **29/757,564**
- (22) Filed: **Nov. 6, 2020**
- (51) **LOC (13) Cl.** **24-03**
- (52) **U.S. Cl.**
USPC **D24/155**
- (58) **Field of Classification Search**
USPC D24/155
CPC A61F 2/44
See application file for complete search history.

2013/0158669	A1*	6/2013	Sungarian	A61F 2/447 623/17.16
2014/0194991	A1*	7/2014	Jimenez	A61F 2/4611 623/17.15
2014/0277490	A1*	9/2014	Perloff	A61F 2/4455 623/17.16
2015/0018951	A1*	1/2015	Loebl	A61F 2/44 623/17.15
2017/0056200	A1*	3/2017	Koch	A61F 2/4611

FOREIGN PATENT DOCUMENTS

EP 1567096 7/2008

* cited by examiner

Primary Examiner — Charles D Hanson

(74) *Attorney, Agent, or Firm* — Ulmer & Berne LLP;
Brian Turung

(57) **CLAIM**

The ornamental design for a medical device, as shown and described.

DESCRIPTION

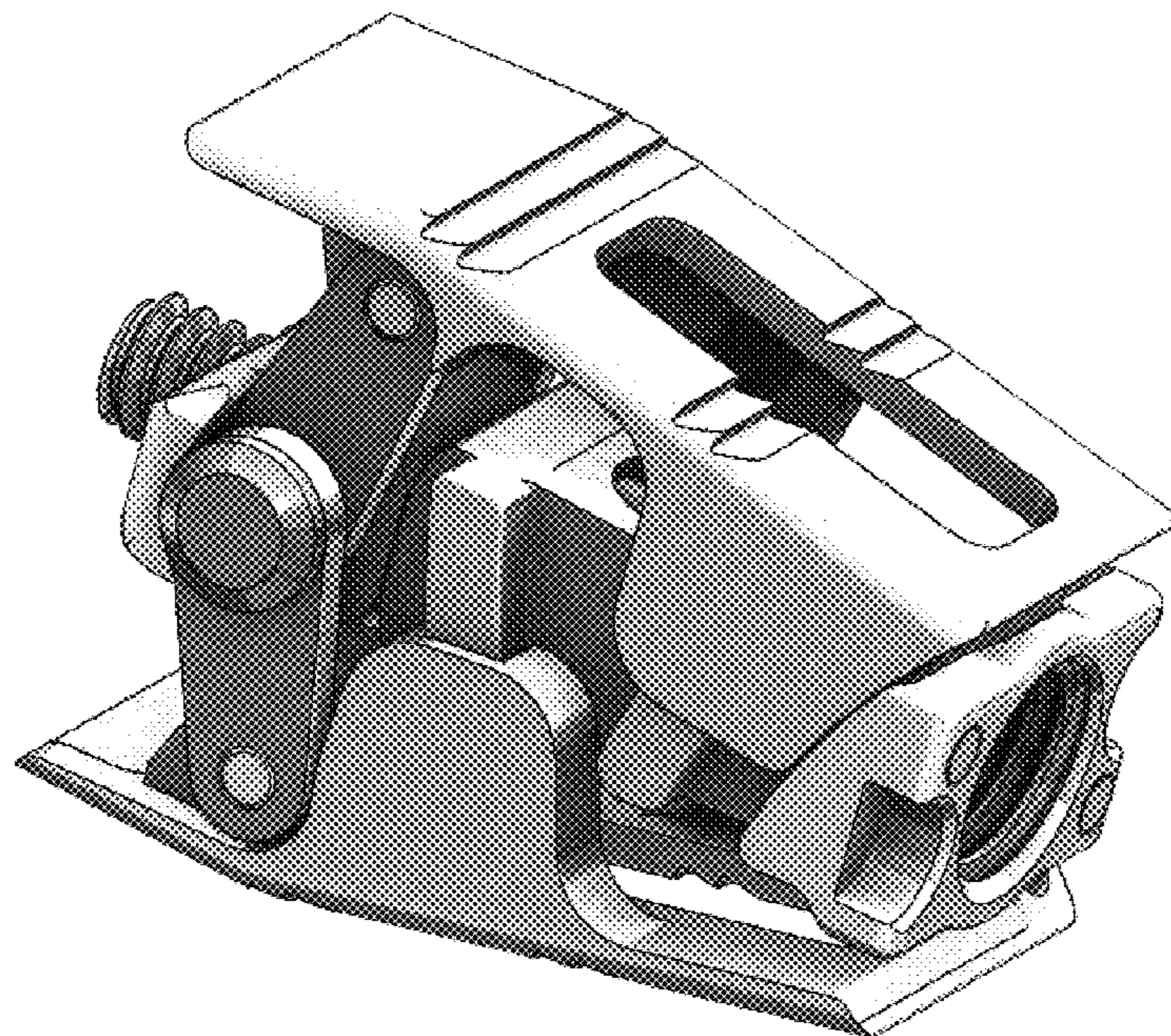
FIG. 1 is a front perspective view of the medical device; FIG. 2 is a right elevation view of the medical device of FIG. 1; FIG. 3 is a left elevation view of the medical device of FIG. 1; FIG. 4 is a top plan view of the medical device of FIG. 1; FIG. 5 is a bottom plan view of the medical device of FIG. 1; FIG. 6 is a front plan view of the medical device of FIG. 1; and, FIG. 7 is a rear plan view of the medical device of FIG. 1.

1 Claim, 6 Drawing Sheets

(56) **References Cited**

U.S. PATENT DOCUMENTS

7,066,961	B2	6/2006	Michelson	
D750,249	S *	2/2016	Grimberg, Jr. D24/155
9,814,495	B2	11/2017	Robie	
2007/0260315	A1*	11/2007	Foley A61F 2/441 623/17.12
2010/0185291	A1*	7/2010	Jimenez F16C 11/12 623/17.16
2011/0282453	A1*	11/2011	Greenhalgh A61F 2/447 623/17.16
2012/0226357	A1*	9/2012	Varela A61F 2/447 623/17.16
2013/0079883	A1*	3/2013	Butler A61F 2/4465 623/17.16



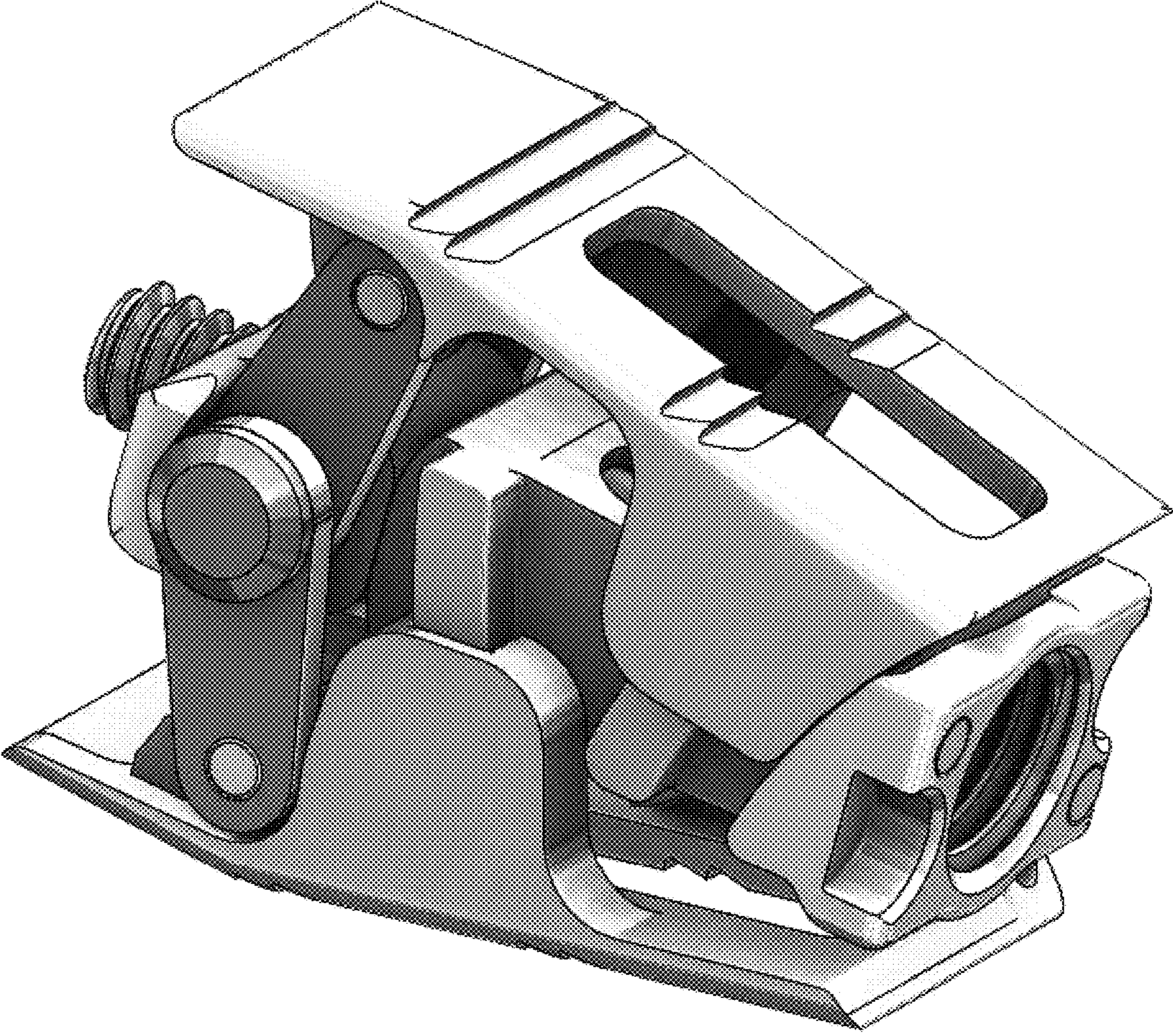


FIG. 1

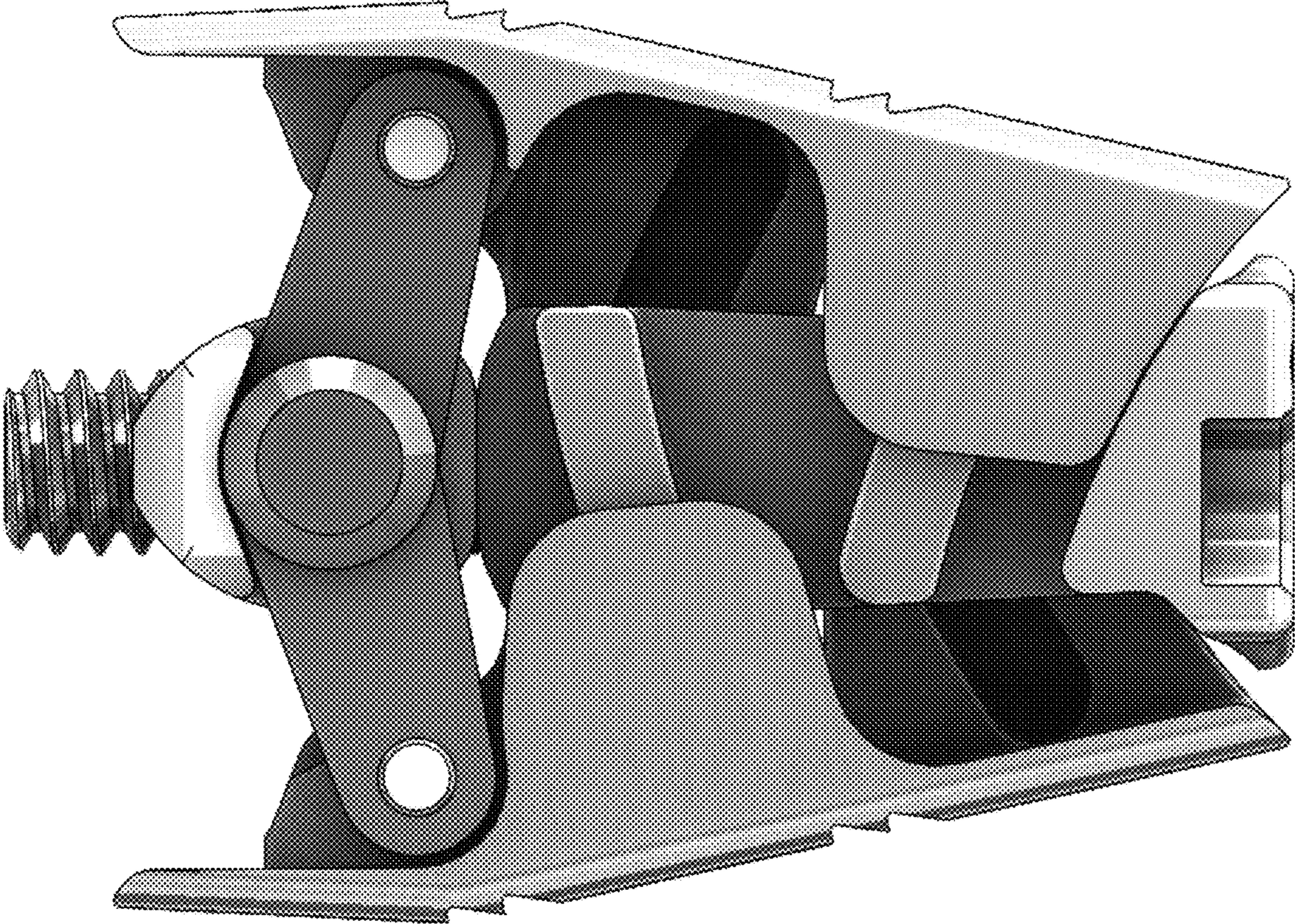


FIG. 2

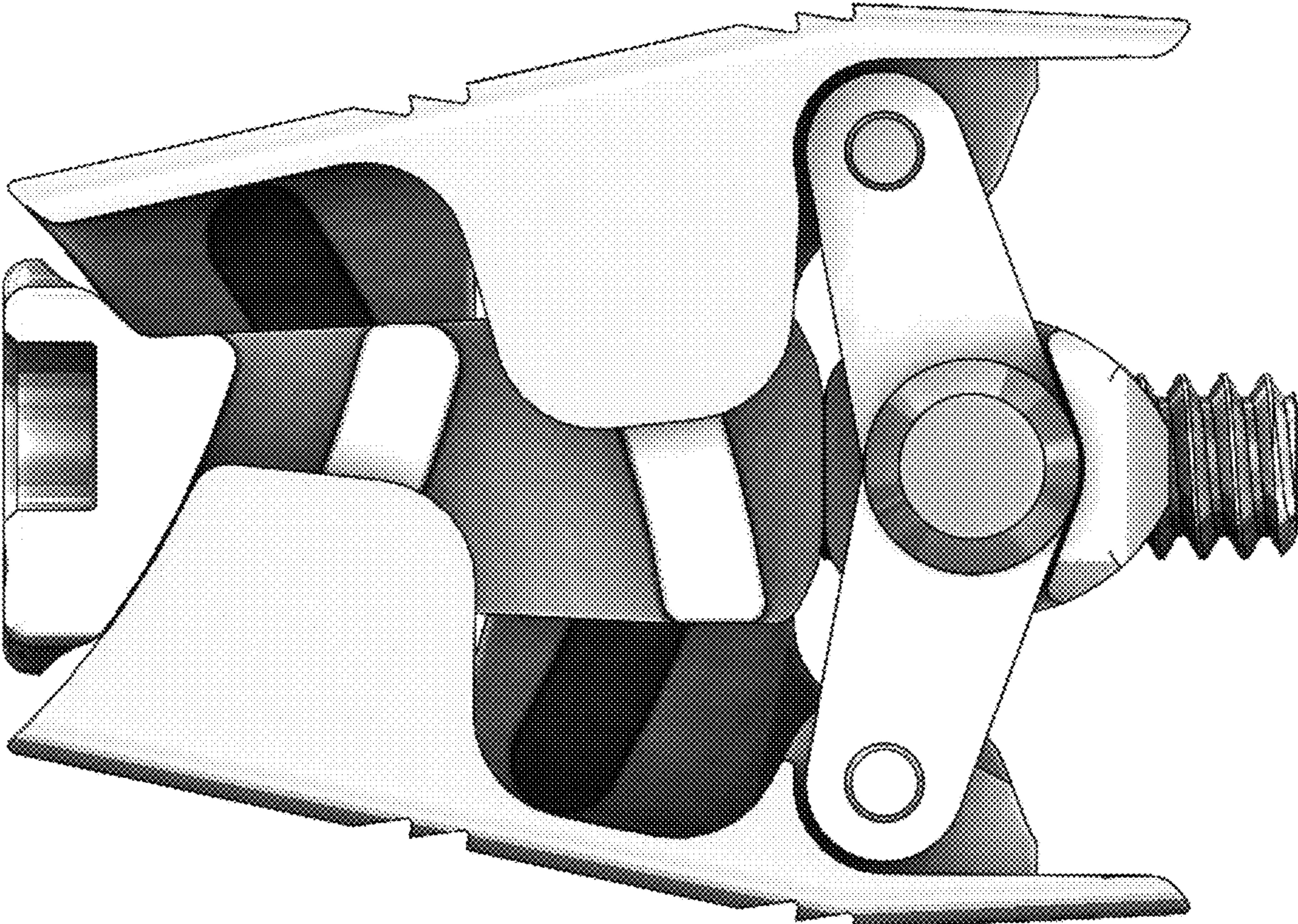


FIG. 3

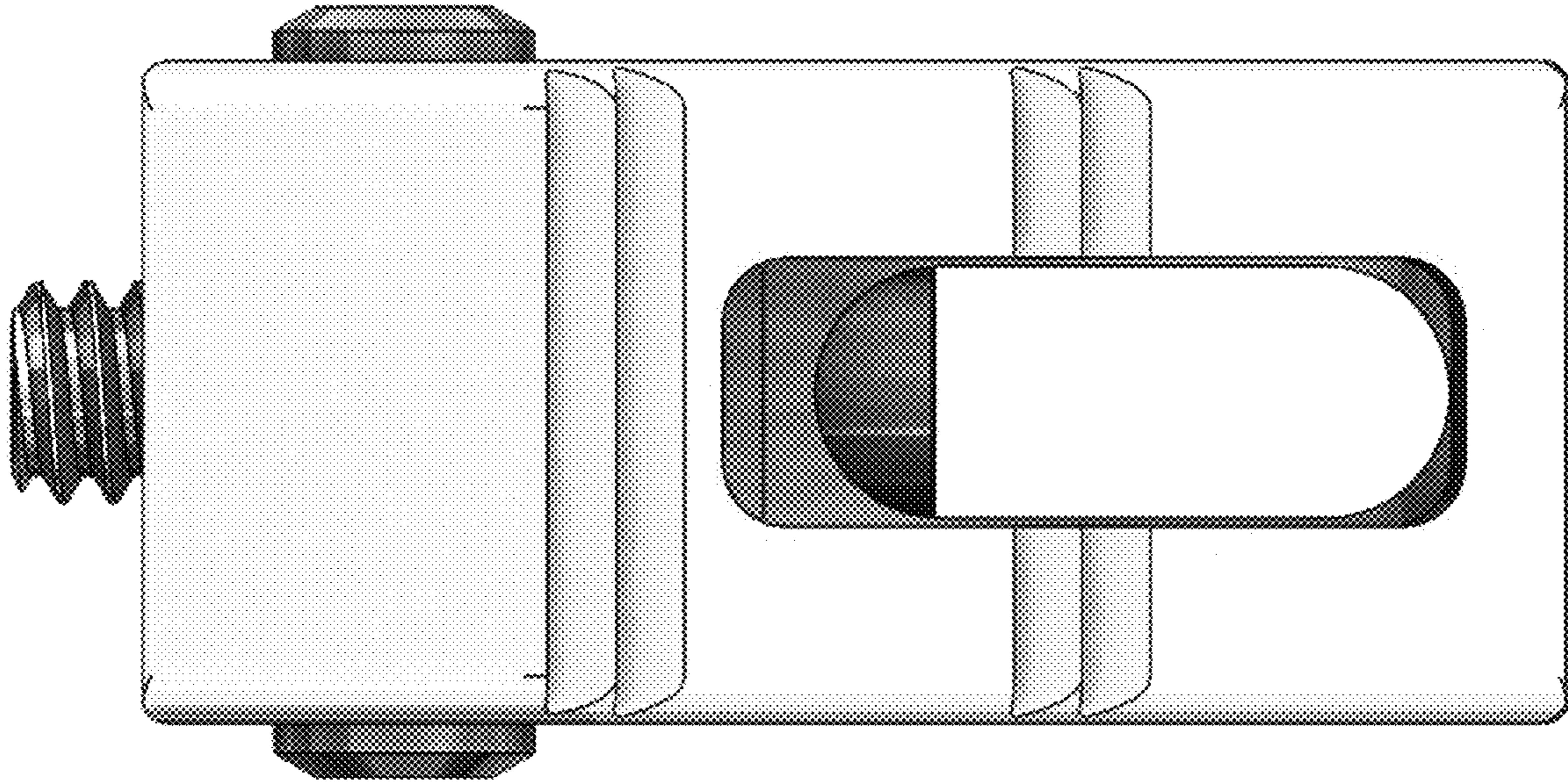


FIG. 4

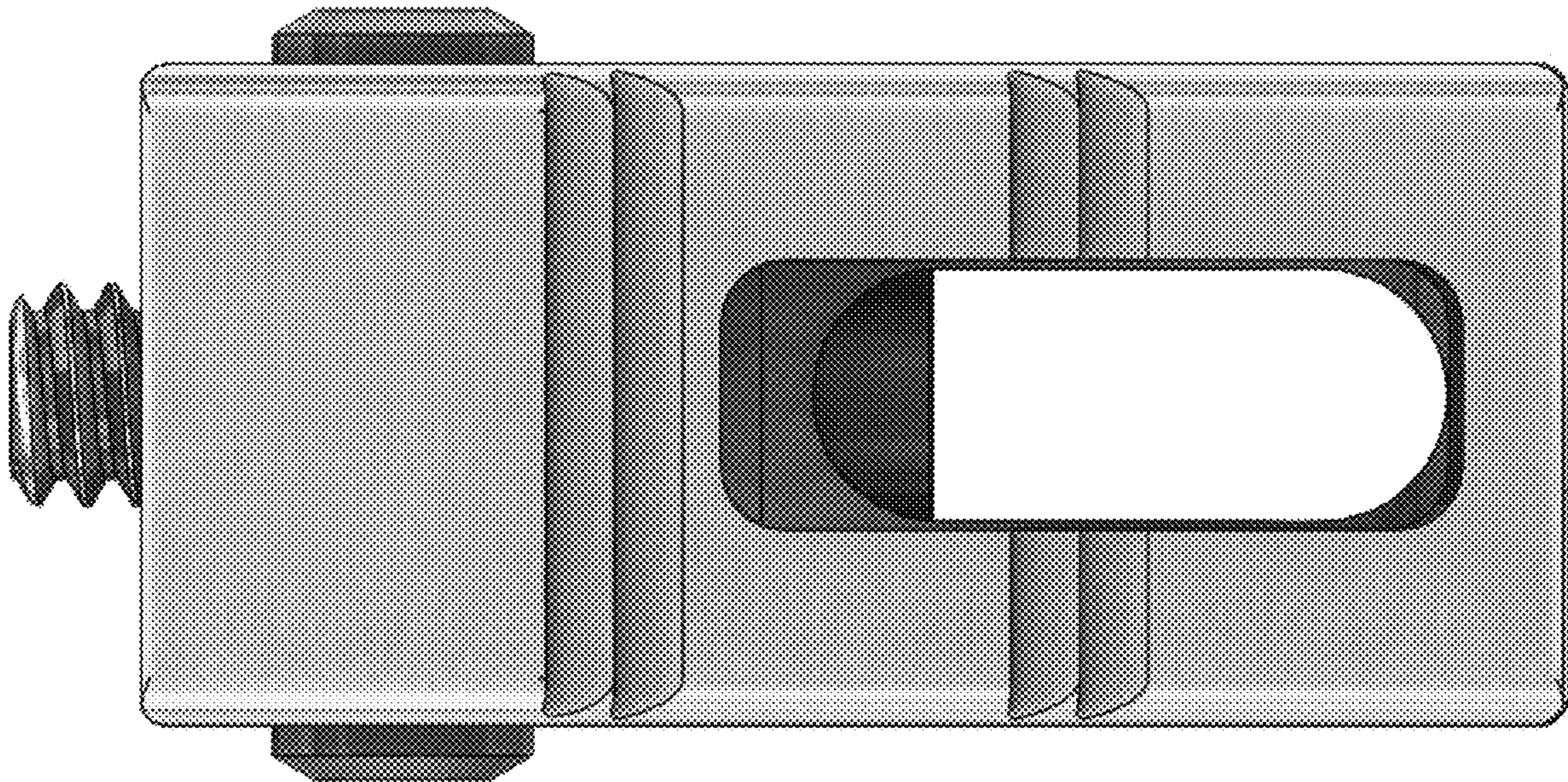


FIG. 5

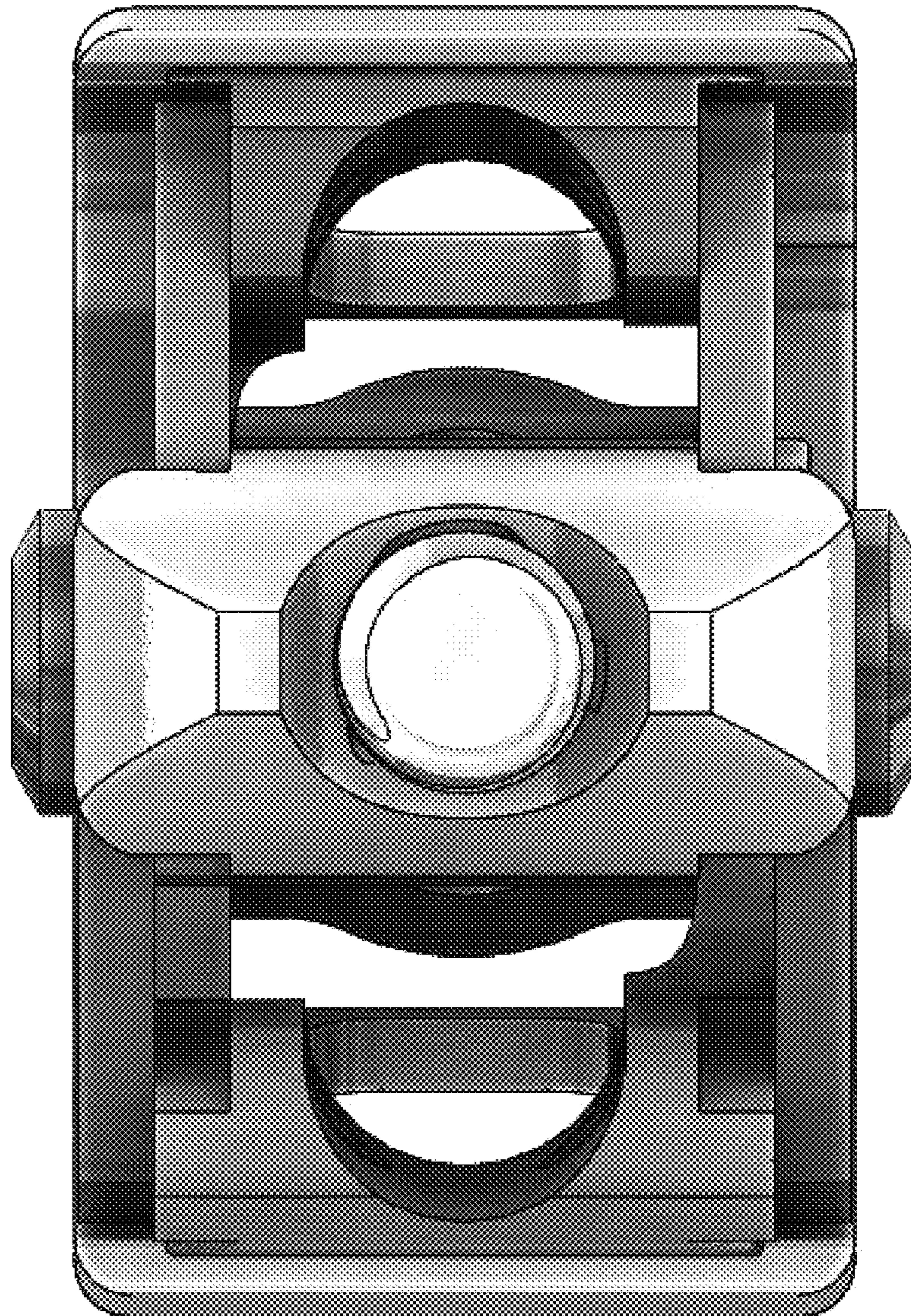


FIG. 6

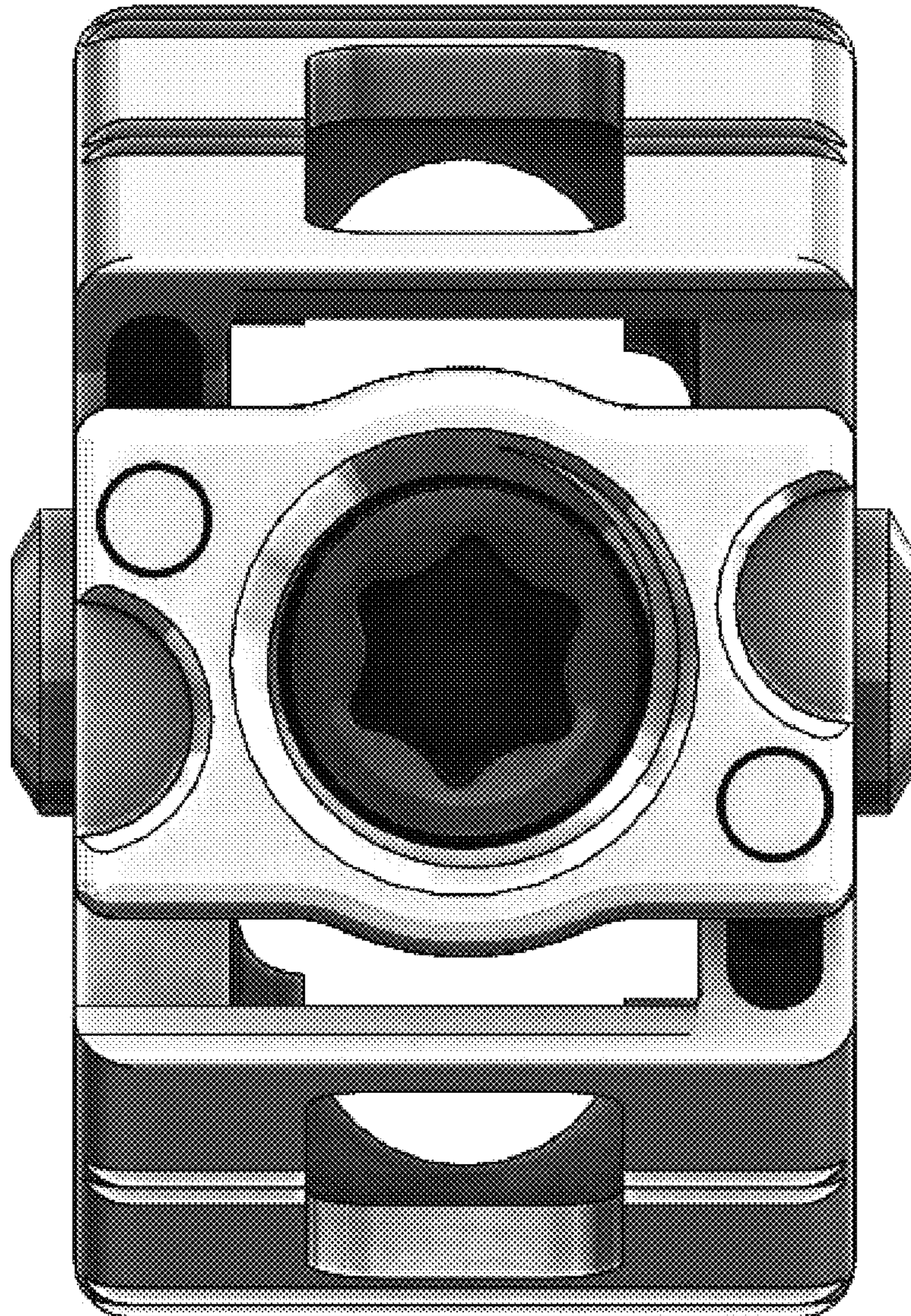


FIG. 7