



US00D946151S

(12) **United States Design Patent**
Cain et al.

(10) **Patent No.:** **US D946,151 S**

(45) **Date of Patent:** **** Mar. 15, 2022**

(54) **MEDICAL DEVICE**

(71) Applicant: **MIRUS LLC**, Marietta, GA (US)

(72) Inventors: **David Brett Cain**, Marietta, GA (US);
Jay Yadav, Atlanta, GA (US); **Wayne Gray**, Mableton, GA (US); **Nathaniel Magee**, Atlanta, GA (US)

(73) Assignee: **MiRus LLC**, Marietta, GA (US)

(**) Term: **15 Years**

(21) Appl. No.: **29/757,561**

(22) Filed: **Nov. 6, 2020**

(51) **LOC (13) Cl.** **24-03**

(52) **U.S. Cl.**
USPC **D24/155**

(58) **Field of Classification Search**
USPC D24/155
CPC A61F 2/44
See application file for complete search history.

(56) **References Cited**

U.S. PATENT DOCUMENTS

6,723,126	B1	4/2004	Berry	
8,628,576	B2	1/2014	Triplett et al.	
D750,249	S *	2/2016	Grimberg, Jr.	D24/155
9,402,732	B2	8/2016	Gabelberger et al.	
10,201,431	B2	2/2019	Slater et al.	
2007/0260315	A1 *	11/2007	Foley	A61F 2/441 623/17.12
2010/0185291	A1 *	7/2010	Jimenez	F16C 11/12 623/17.16
2011/0282453	A1 *	11/2011	Greenhalgh	A61F 2/447 623/17.16

2012/0226357	A1 *	9/2012	Varela	A61F 2/447 623/17.16
2013/0079883	A1 *	3/2013	Butler	A61F 2/4465 623/17.16
2013/0158669	A1 *	6/2013	Sungarian	A61F 2/447 623/17.16
2014/0194991	A1 *	7/2014	Jimenez	A61F 2/4611 623/17.15
2014/0277490	A1 *	9/2014	Perloff	A61F 2/4455 623/17.16
2015/0018951	A1 *	1/2015	Loe	A61F 2/44 623/17.15
2017/0056200	A1 *	3/2017	Koch	A61F 2/4611
2017/0281358	A1	10/2017	Wagner et al.	

* cited by examiner

Primary Examiner — Charles D Hanson

(74) *Attorney, Agent, or Firm* — Ulmer & Berne LLP;
Brian Turung

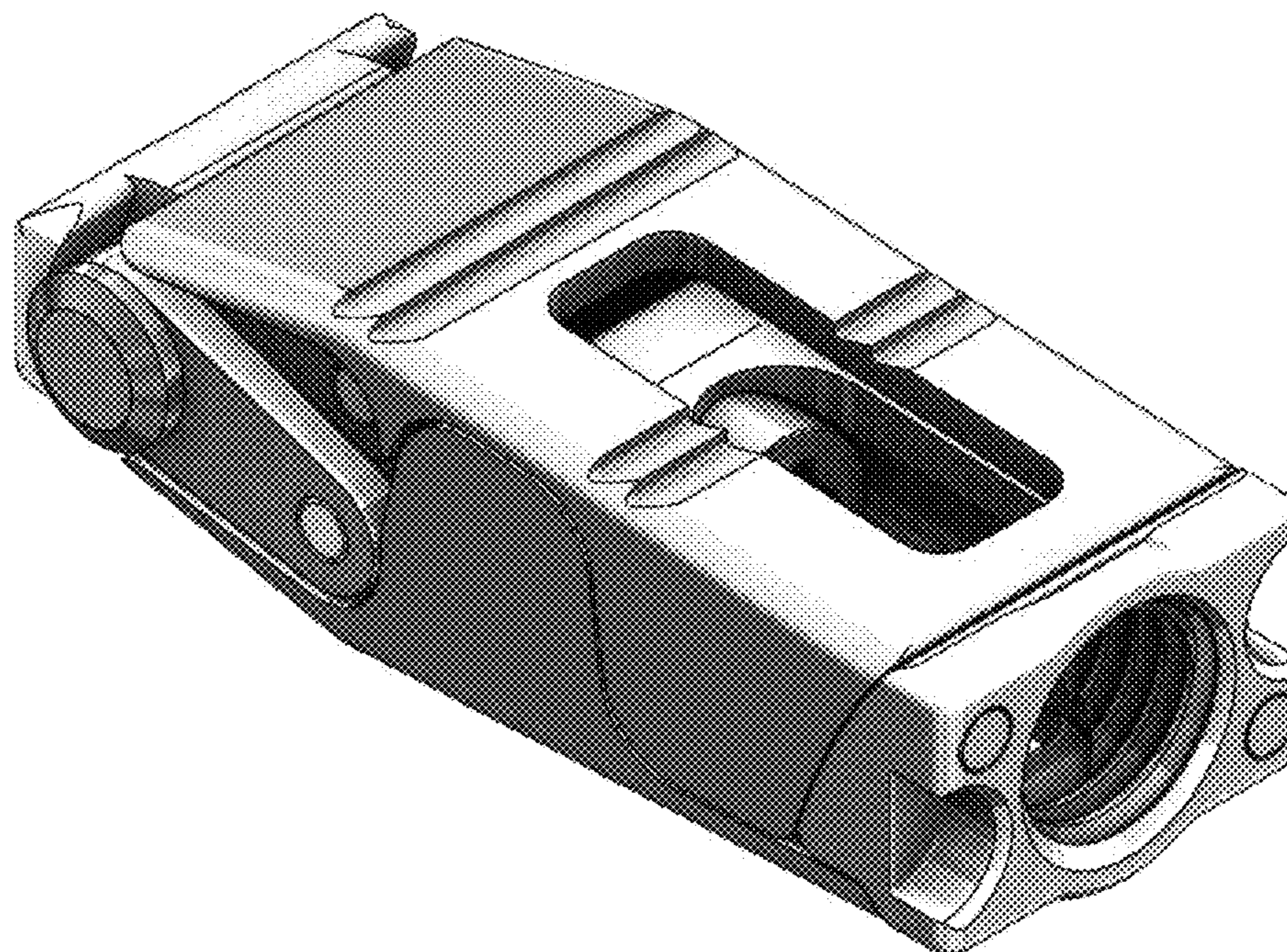
(57) **CLAIM**

The ornamental design for a medical device, as shown and described.

DESCRIPTION

FIG. 1 is a front perspective view of the medical device; FIG. 2 is a right elevation view of the medical device of FIG. 1; FIG. 3 is a left elevation view of the medical device of FIG. 1; FIG. 4 is a top plan view of the medical device of FIG. 1; FIG. 5 is a bottom plan view of the medical device of FIG. 1; FIG. 6 is a front plan view of the medical device of FIG. 1; and, FIG. 7 is a rear plan view of the medical device of FIG. 1.

1 Claim, 4 Drawing Sheets



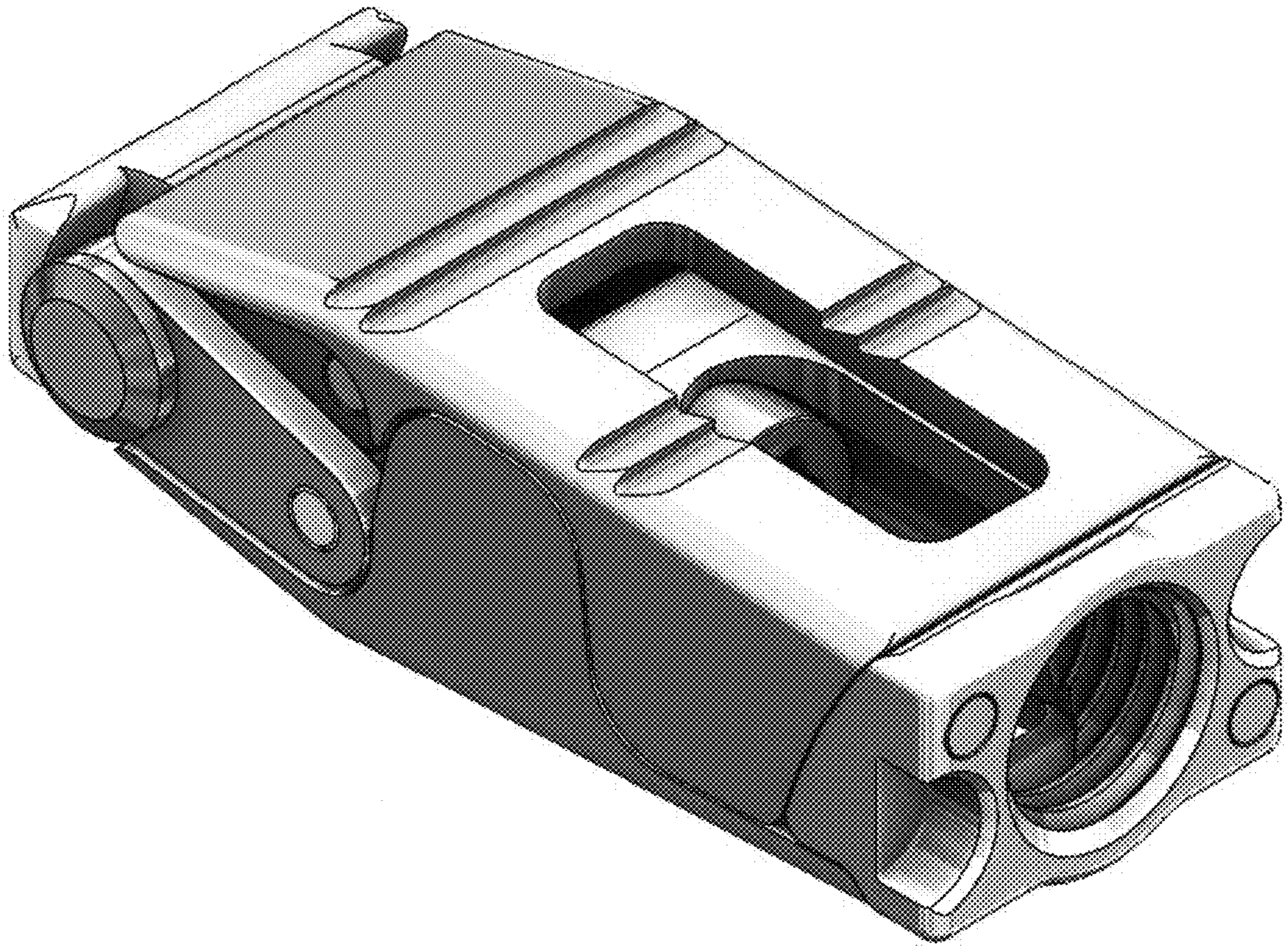


FIG. 1

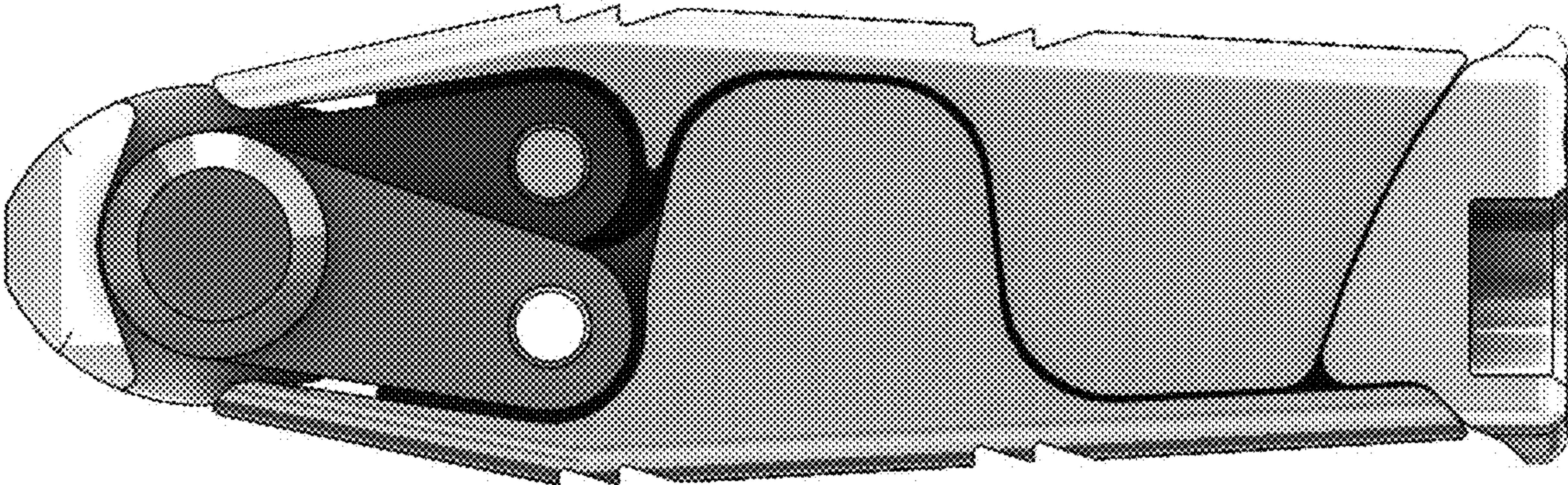


FIG. 2

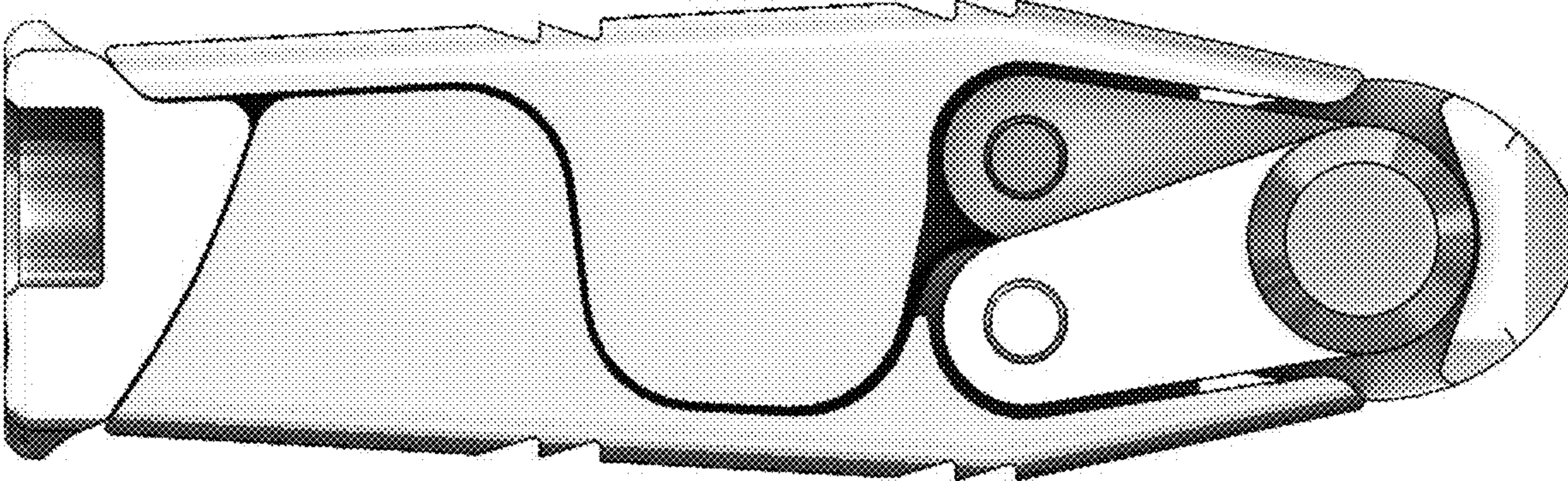


FIG. 3

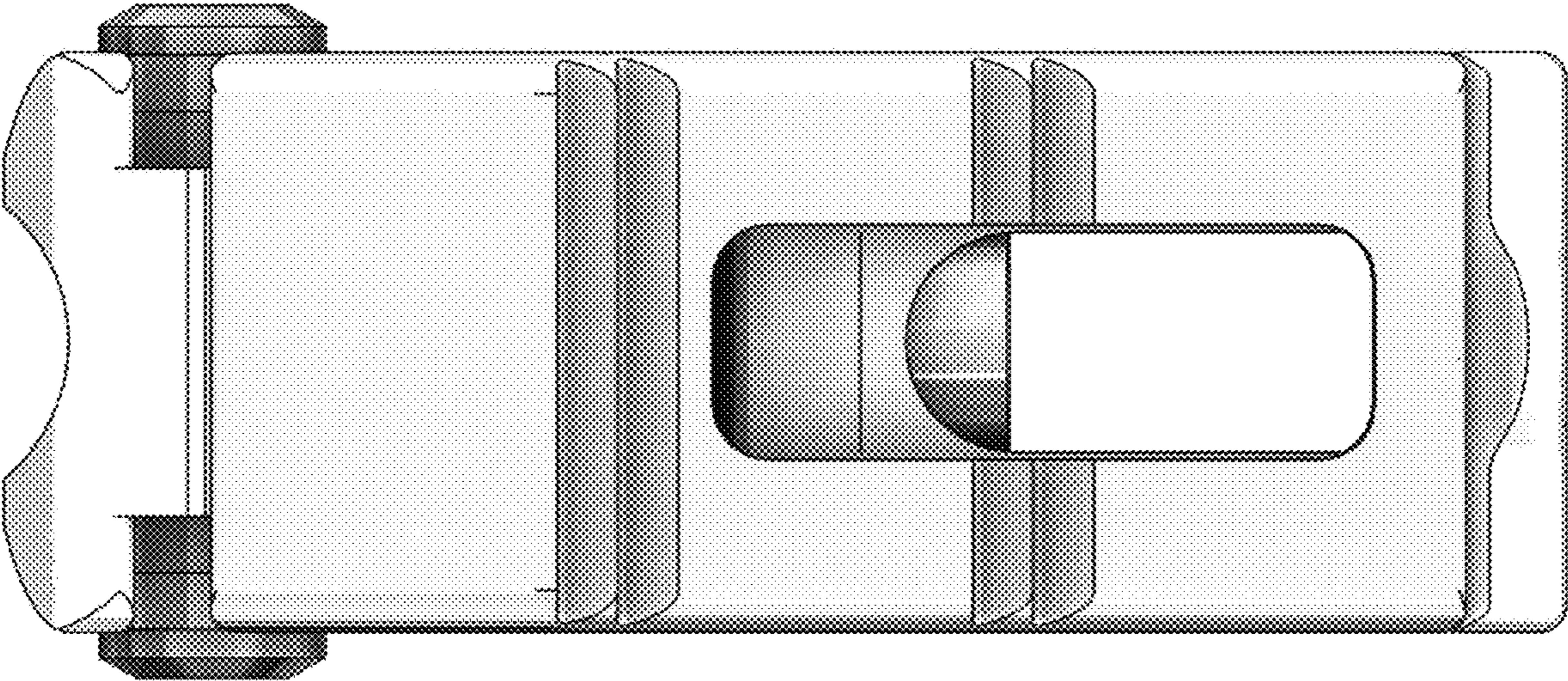


FIG. 4

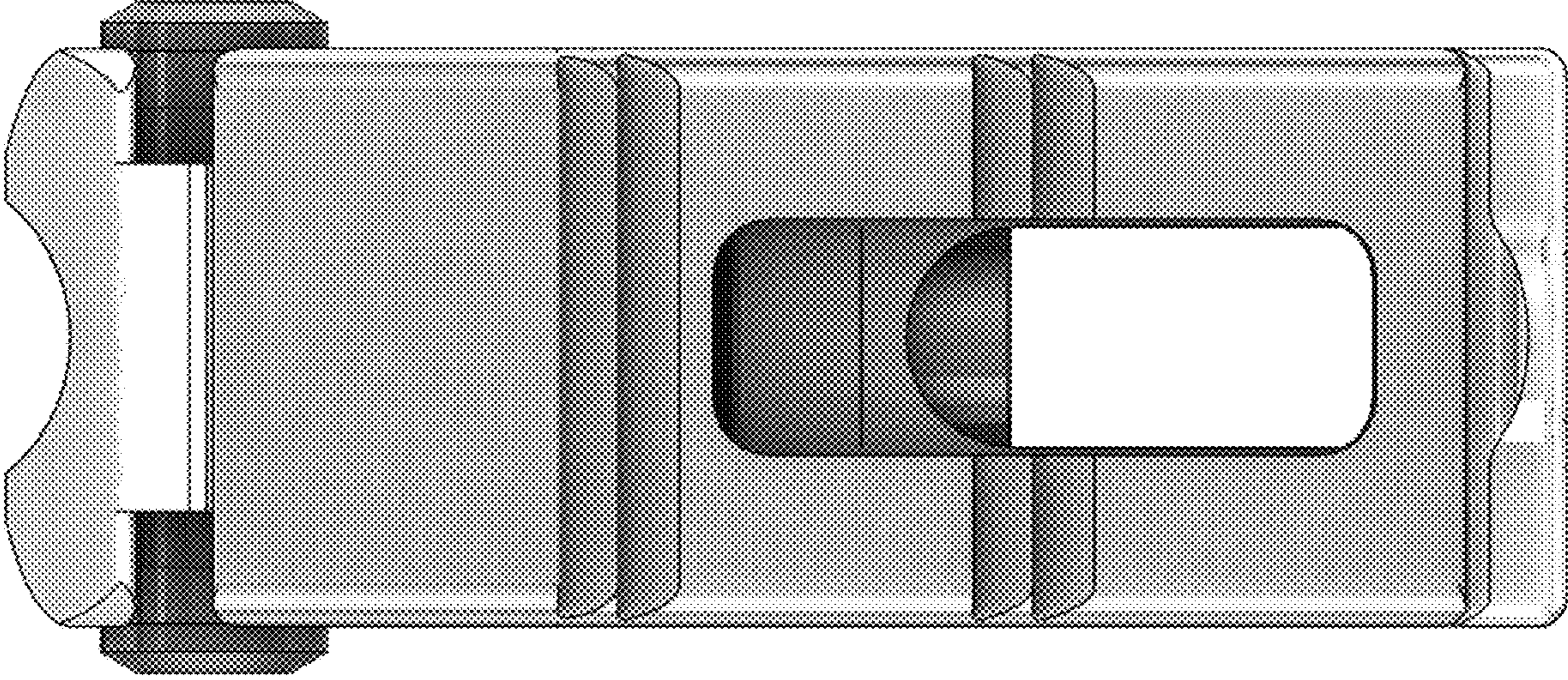


FIG. 5

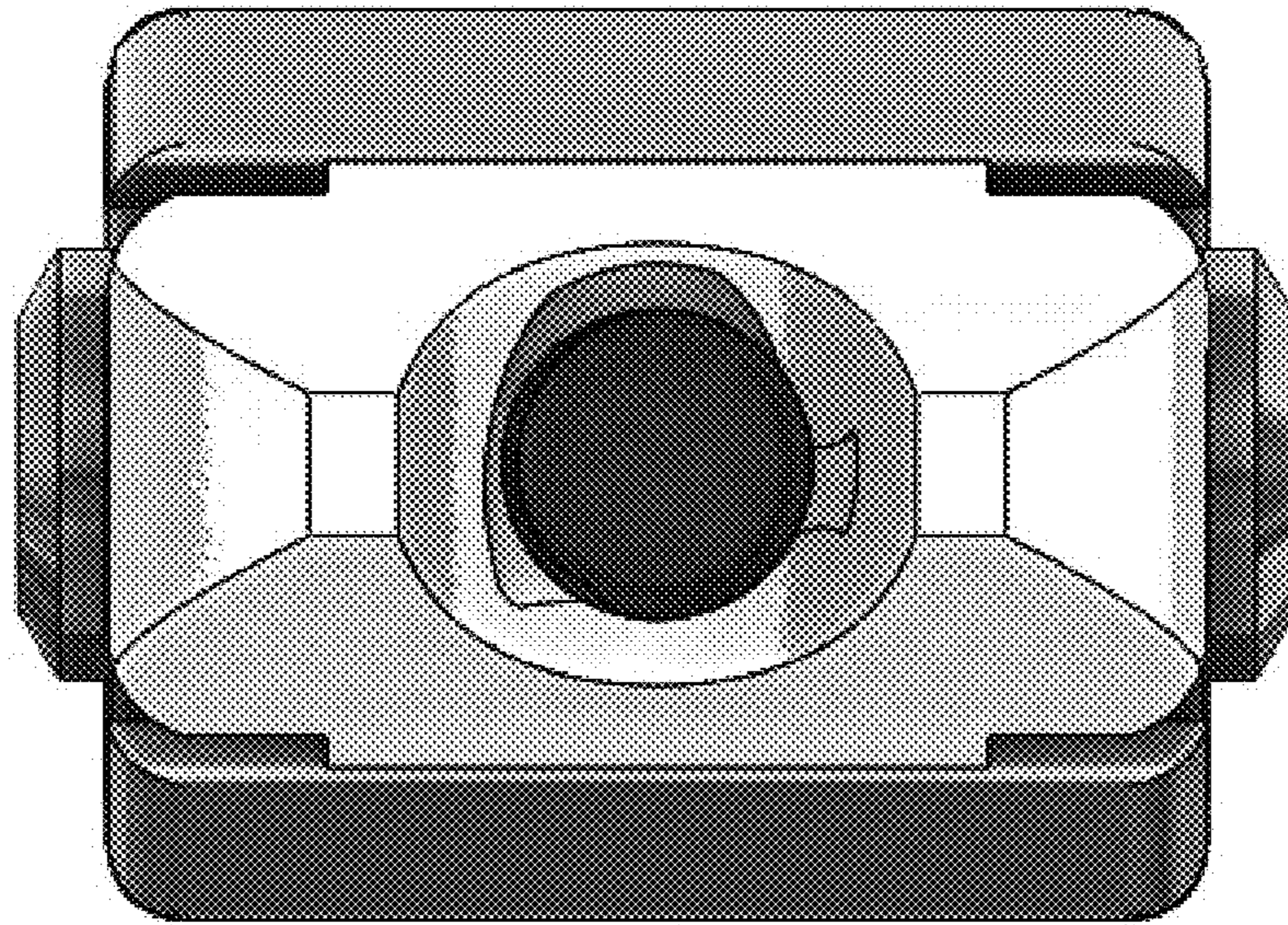


FIG. 6

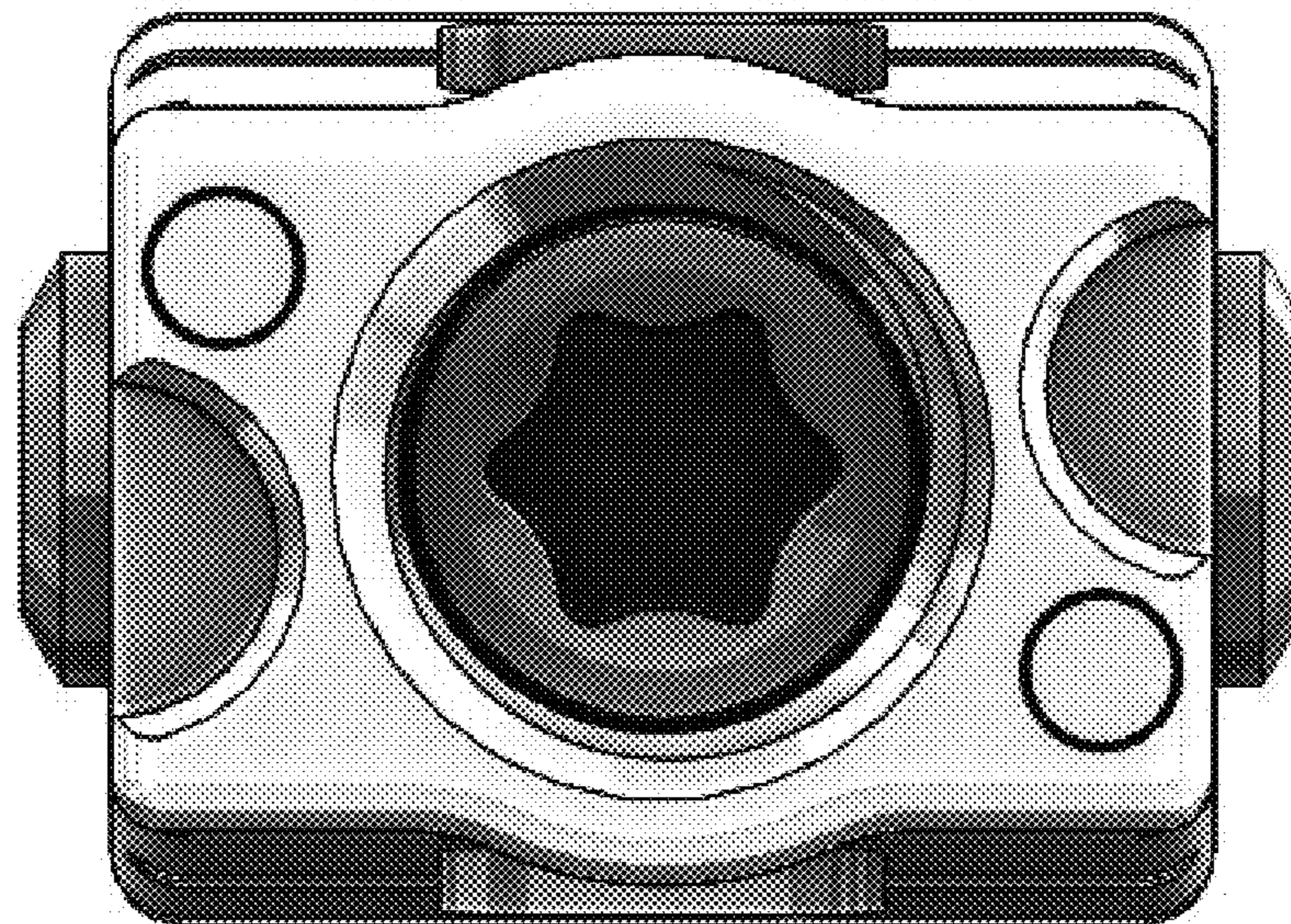


FIG. 7