



US00D946147S

(12) **United States Design Patent**
Wilson et al.

(10) **Patent No.:** **US D946,147 S**
(45) **Date of Patent:** **** Mar. 15, 2022**

(54) **SURGICAL RETRACTOR**

(56) **References Cited**

(71) Applicant: **Warsaw Orthopedic, Inc.**, Warsaw, IN (US)

U.S. PATENT DOCUMENTS

(72) Inventors: **Madeline G. Wilson**, Memphis, TN (US); **Mladen G. Djurasovic**, Louisville, KY (US); **Charles Hopkins Crawford, III**, Prospect, KY (US); **Jeffrey Lynn Gum**, Crestwood, KY (US); **Roger Kirk Owens, II**, Prospect, KY (US)

D369,860	S	*	5/1996	Koros	D24/133
D380,548	S	*	7/1997	Koros	D24/135
D395,510	S	*	6/1998	Furnish	D24/135
D396,285	S	*	7/1998	Koros	D24/135
D411,299	S	*	6/1999	Farascioni	D24/135
D612,494	S	*	3/2010	Ott	D24/135
D612,495	S	*	3/2010	Ott	D24/135
D658,286	S	*	4/2012	Ryshkus	D24/135
8,974,381	B1	*	3/2015	Lovell	A61B 90/30 600/232
D884,169	S	*	5/2020	Hartson	D24/143
2009/0105547	A1	*	4/2009	Vayser	A61B 17/0206 600/228
2020/0253594	A1	*	8/2020	Wilson	A61B 17/7074
2020/0253595	A1	*	8/2020	McBride, Jr.	A61B 90/50

(73) Assignee: **Warsaw Orthopedic, Inc.**, Warsaw, IN (US)

(**) Term: **15 Years**

* cited by examiner

(21) Appl. No.: **29/782,254**

Primary Examiner — Bridget L Eland
(74) *Attorney, Agent, or Firm* — Sorell, Lenna & Schmidt, LLP

(22) Filed: **May 5, 2021**

(57) **CLAIM**

The ornamental design for a surgical retractor, as shown and described.

Related U.S. Application Data

DESCRIPTION

(63) Continuation of application No. 16/272,640, filed on Feb. 11, 2019.

(51) **LOC (13) Cl.** **24-02**

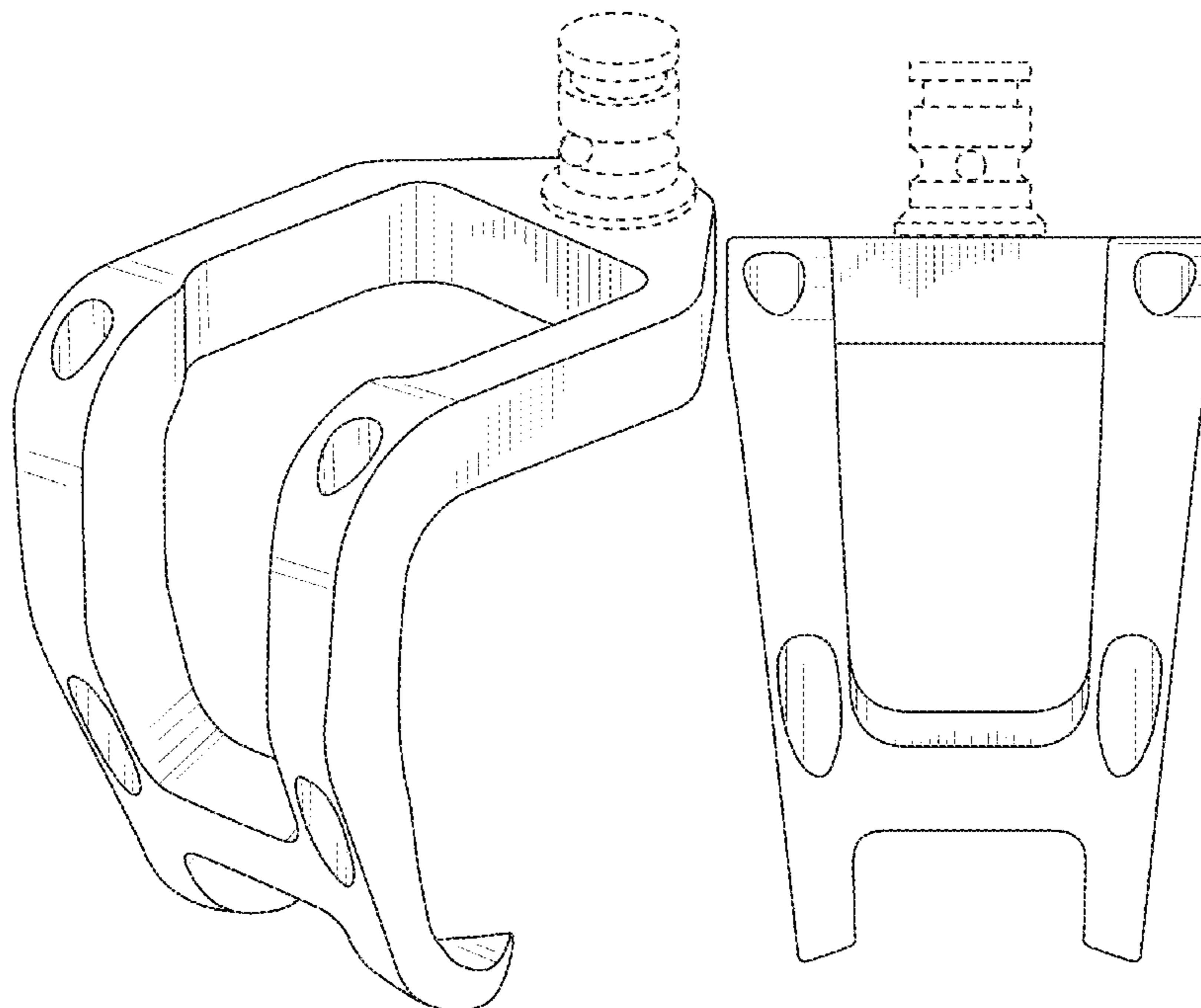
(52) **U.S. Cl.**
USPC **D24/135**

(58) **Field of Classification Search**
USPC D24/135, 133
CPC A61B 17/0206; A61B 34/30; A61B 90/50;
A61B 2017/00407; A61B 17/0218; A61B
2017/0256

FIG. 1 is a perspective view of a surgical retractor;
FIG. 2 is a front view of the surgical retractor;
FIG. 3 is a side view of the surgical retractor;
FIG. 4 is a back view of the surgical retractor;
FIG. 5 is a side view of the surgical retractor;
FIG. 6 is a top view of the surgical retractor; and,
FIG. 7 is a bottom view of the surgical retractor.
The broken lines in the figures are for illustrative purposes and form no part of the claimed design.

See application file for complete search history.

1 Claim, 7 Drawing Sheets



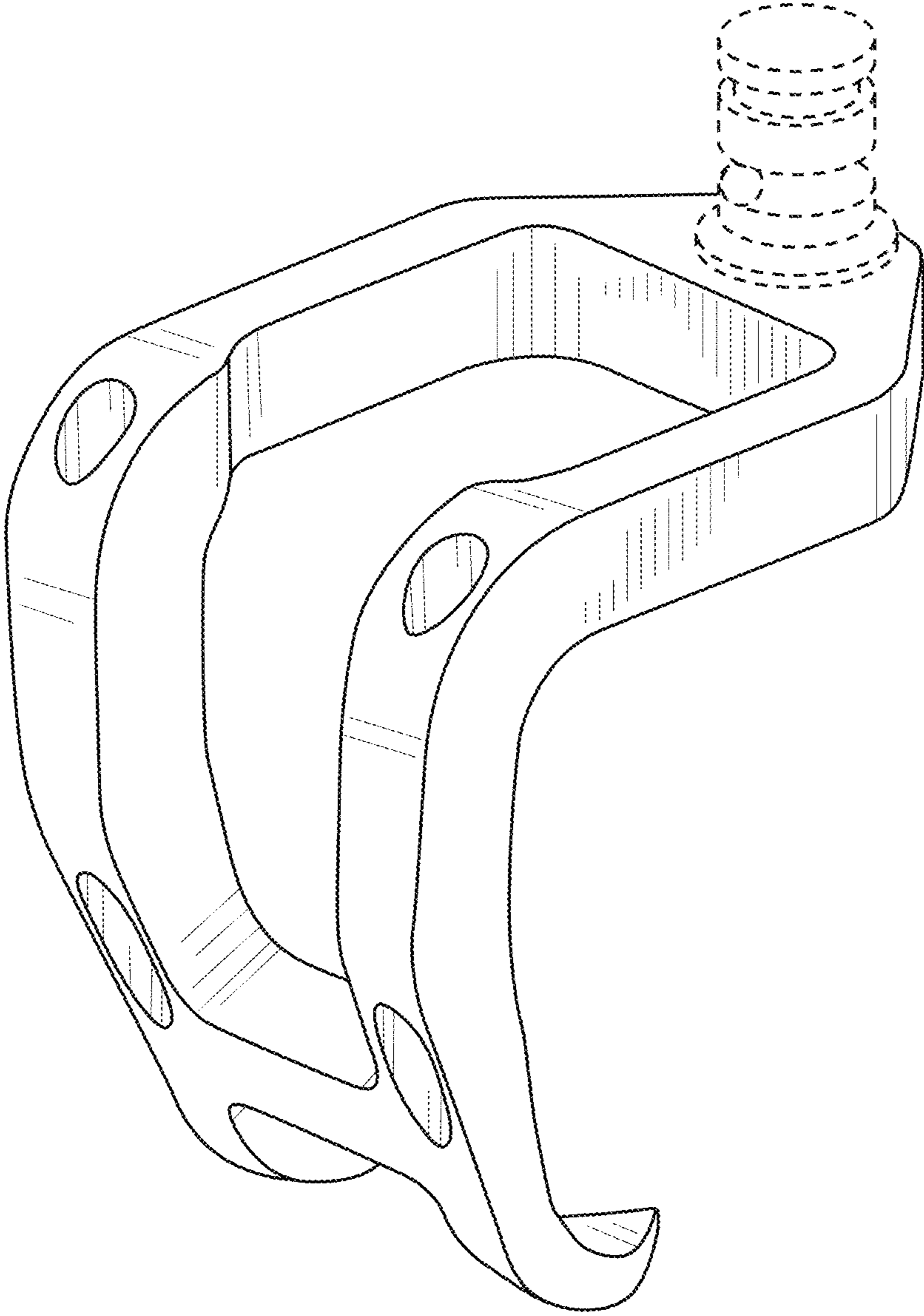


FIG. 1

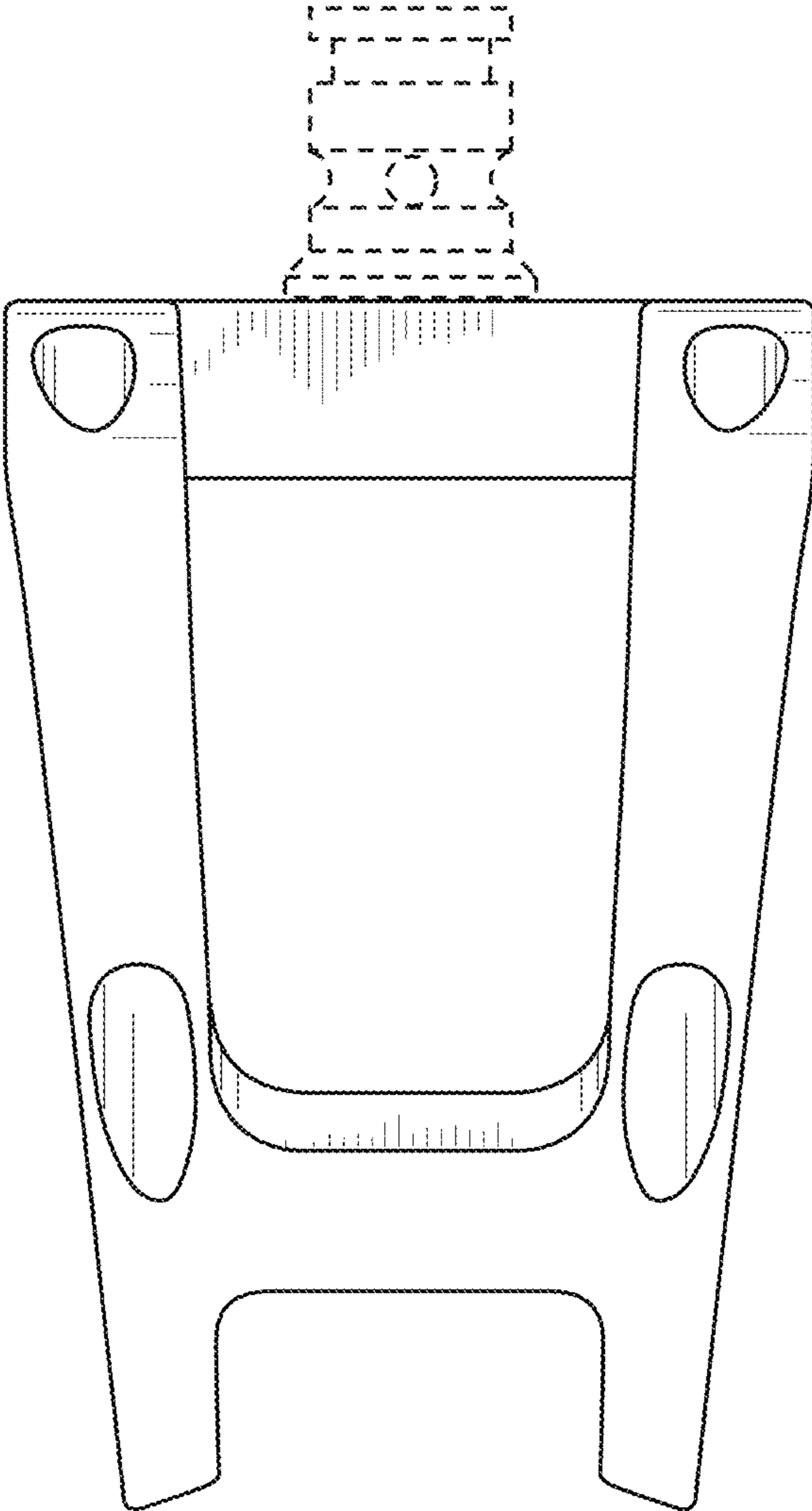


FIG. 2

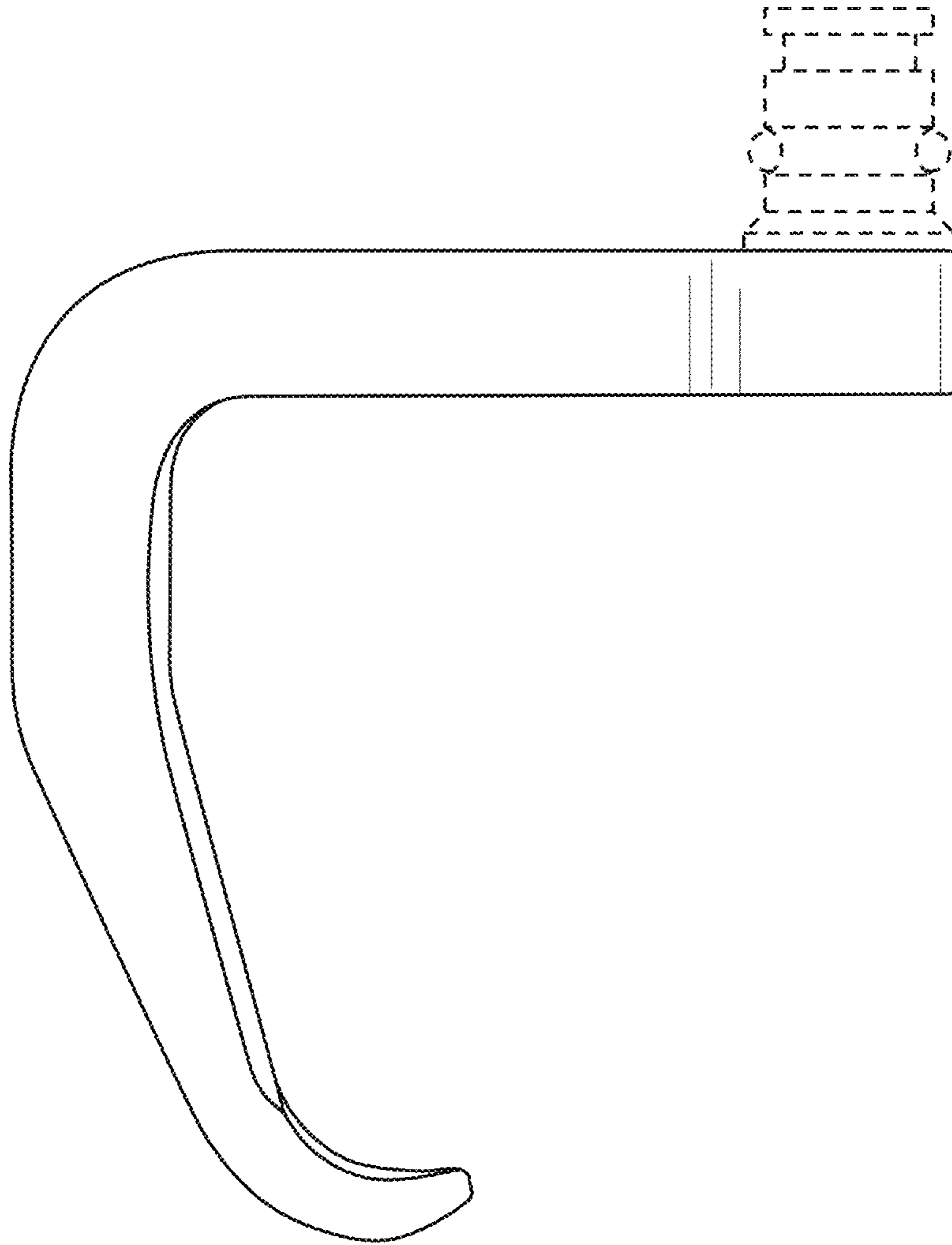


FIG. 3

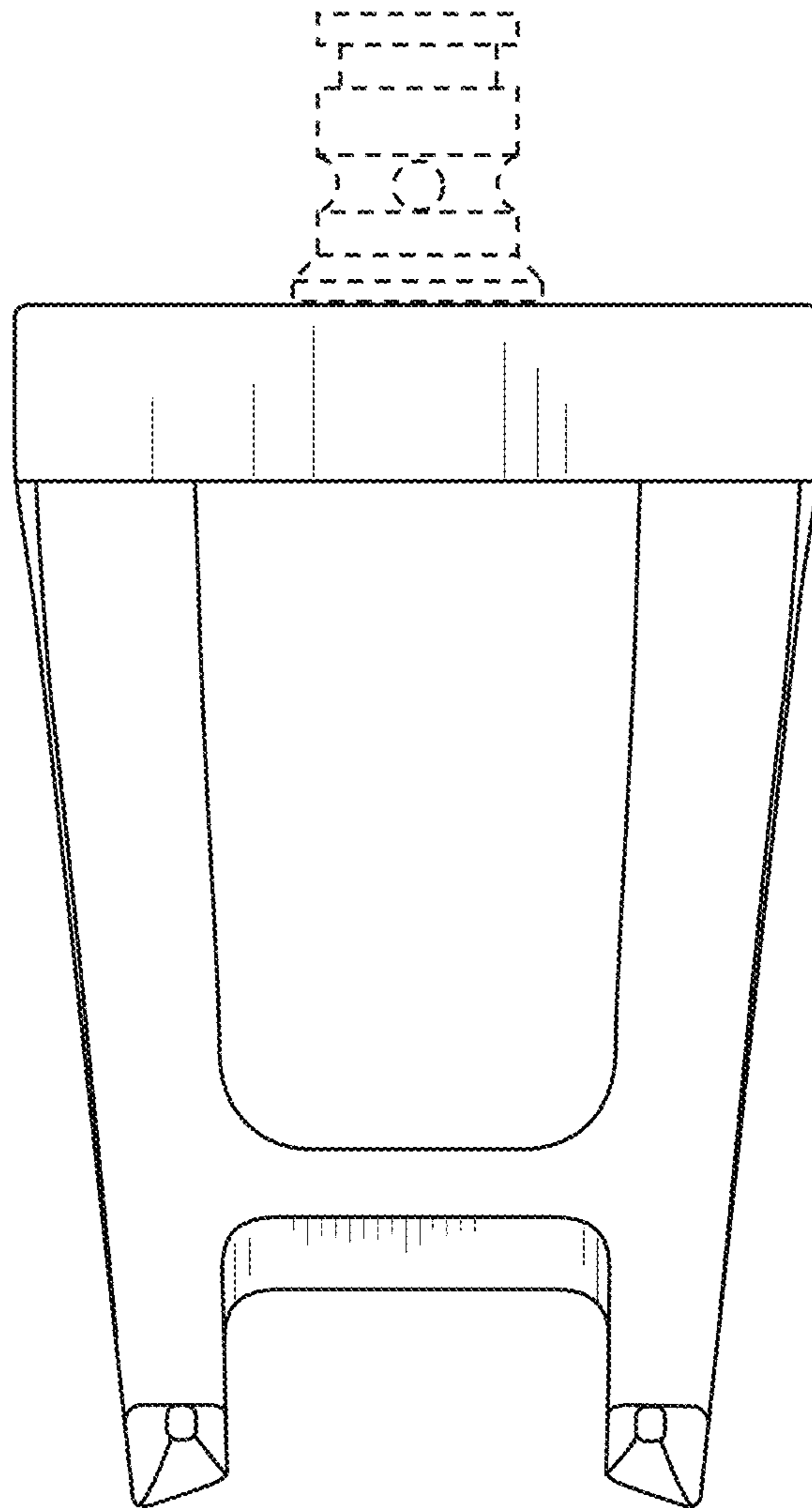


FIG. 4

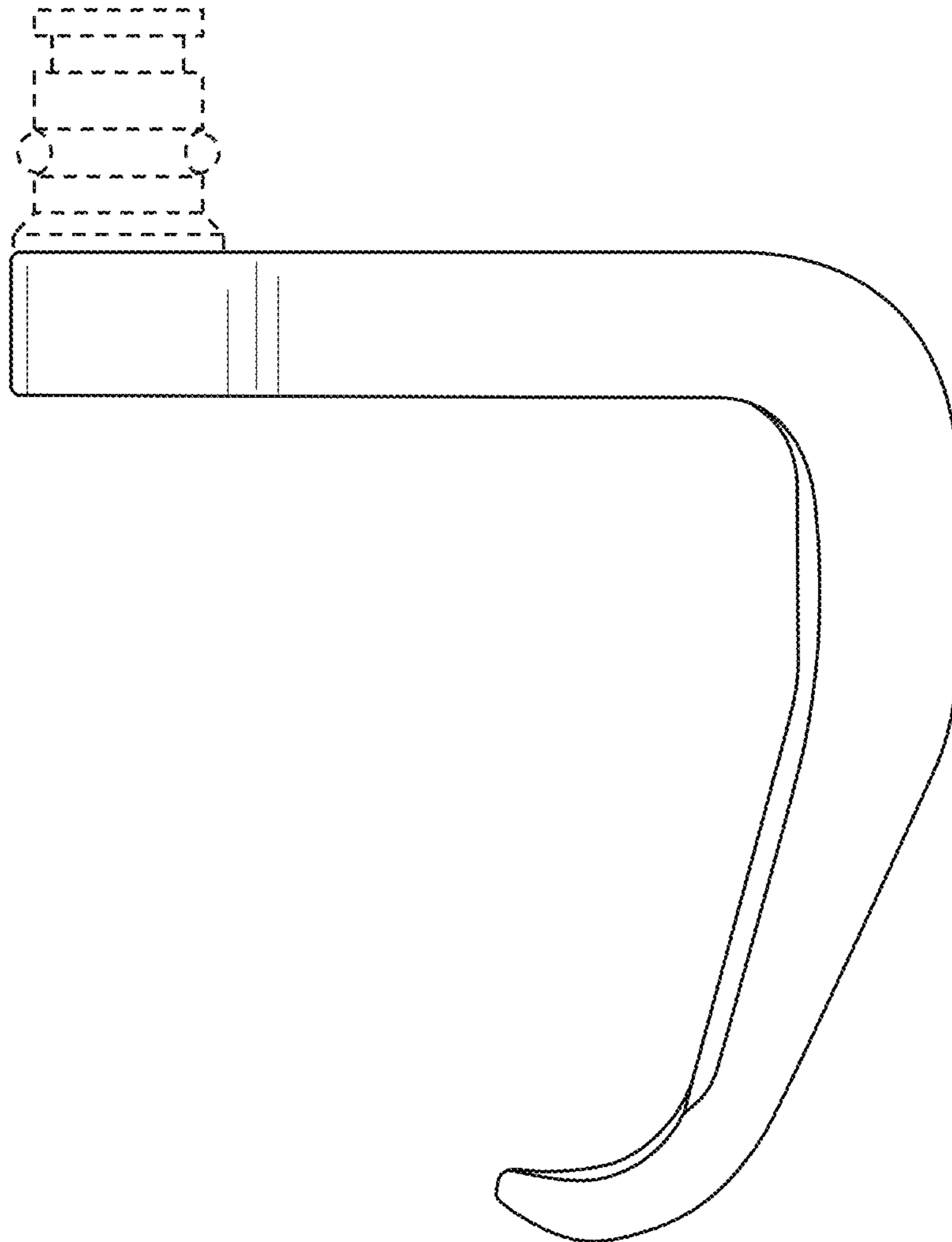


FIG. 5

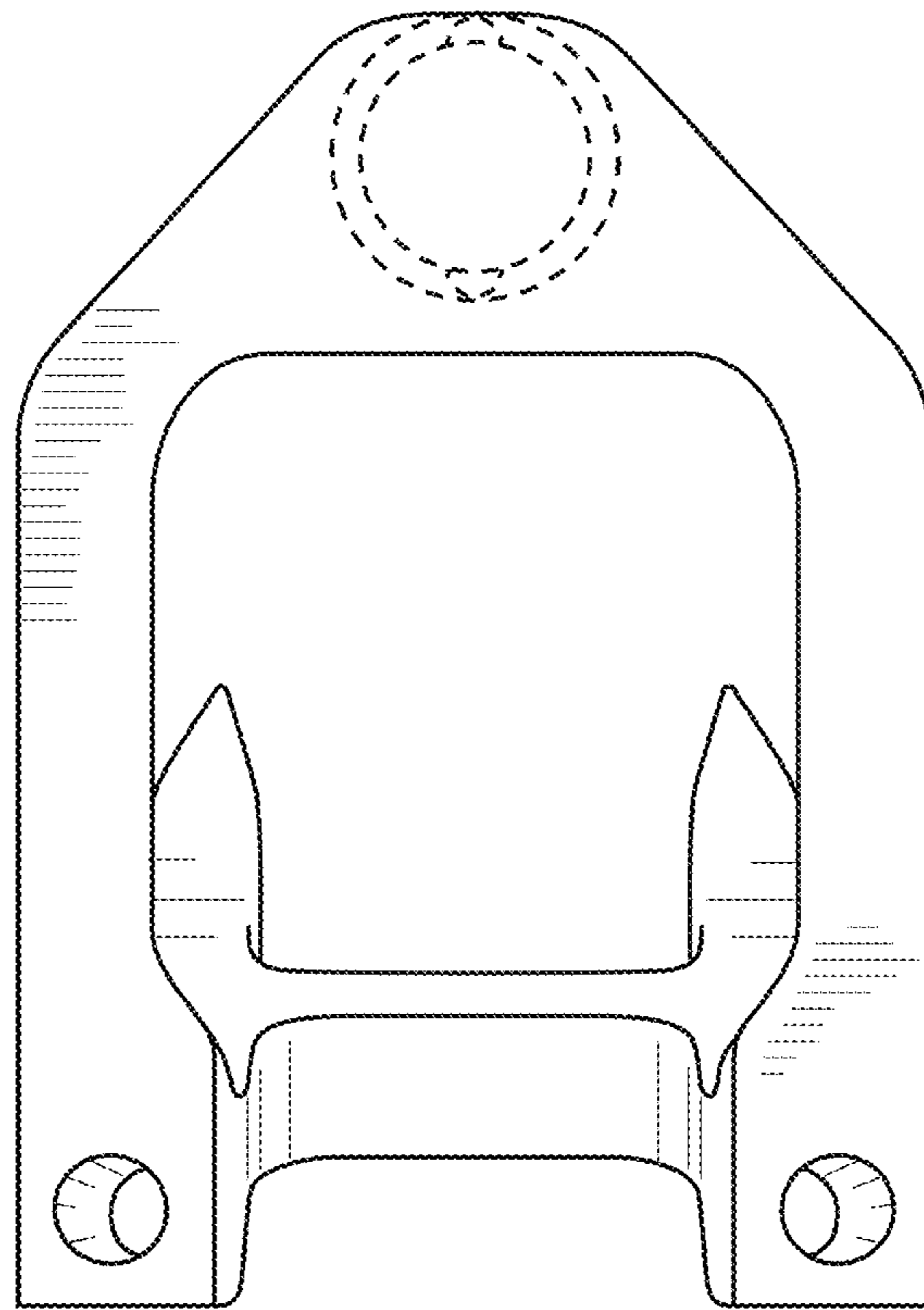


FIG. 6

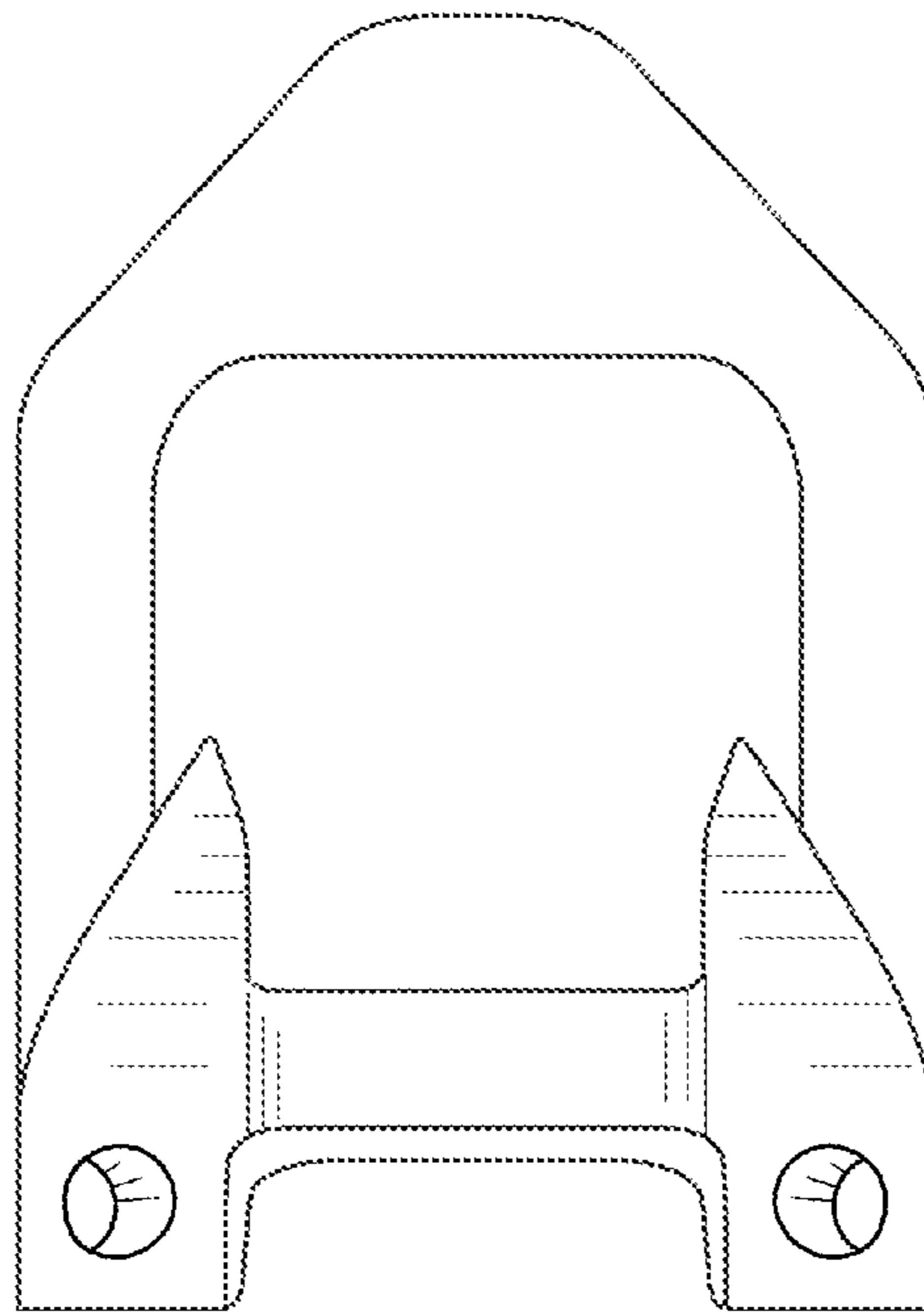


FIG. 7