



US00D946146S

(12) **United States Design Patent**  
**Gee et al.**

(10) **Patent No.:** **US D946,146 S**  
(45) **Date of Patent:** **\*\* Mar. 15, 2022**

- (54) **SURGICAL HANDPIECE**
- (71) Applicant: **Johnson & Johnson Surgical Vision, Inc.**, Santa Ana, CA (US)
- (72) Inventors: **Jacob Gee**, Blanchester, OH (US);  
**Stephen Christopher**, Philadelphia, PA (US)
- (73) Assignee: **Johnson & Johnson Surgical Vision, Inc.**, Irvine, CA (US)
- (\*\*) Term: **15 Years**
- (21) Appl. No.: **29/754,705**
- (22) Filed: **Oct. 13, 2020**

**Related U.S. Application Data**

- (63) Continuation-in-part of application No. PCT/IB2020/054646, filed on May 15, 2020.
- (60) Provisional application No. 62/849,792, filed on May 17, 2020.
- (51) **LOC (13) Cl.** ..... **24-02**
- (52) **U.S. Cl.**  
USPC ..... **D24/133**
- (58) **Field of Classification Search**  
USPC ..... D24/108, 117, 118, 133, 135, 137, 138, D24/127  
CPC ..... A61M 25/00; A61M 39/00; A61M 27/00; A61M 25/0043; A61M 25/0067; A61M 25/0097; A61B 1/00126; A61F 2/958  
See application file for complete search history.

(56) **References Cited**

**U.S. PATENT DOCUMENTS**

4,504,264 A	3/1985	Kelman
5,162,044 A	11/1992	Gahn et al.
5,413,556 A	5/1995	Whittingham
5,453,087 A	9/1995	Malinowski

5,609,602 A	3/1997	Machemer et al.
5,653,724 A	8/1997	Imonti
5,843,109 A	12/1998	Mehta et al.
D441,863 S *	5/2001	Khalaj ..... D24/133
6,852,092 B2	2/2005	Kadziauskas et al.
7,169,123 B2	1/2007	Kadziauskas et al.
D724,726 S *	3/2015	Prokop ..... D24/133
D753,823 S *	4/2016	Hayamizu ..... D24/138
D795,424 S *	8/2017	Sloss ..... D24/138
D870,264 S *	12/2019	Fedor ..... D24/108

(Continued)

*Primary Examiner* — Manpreet S Matharu  
*Assistant Examiner* — Yolanda Robinson  
(74) *Attorney, Agent, or Firm* — Johnson & Johnson Surgical Vision, Inc.

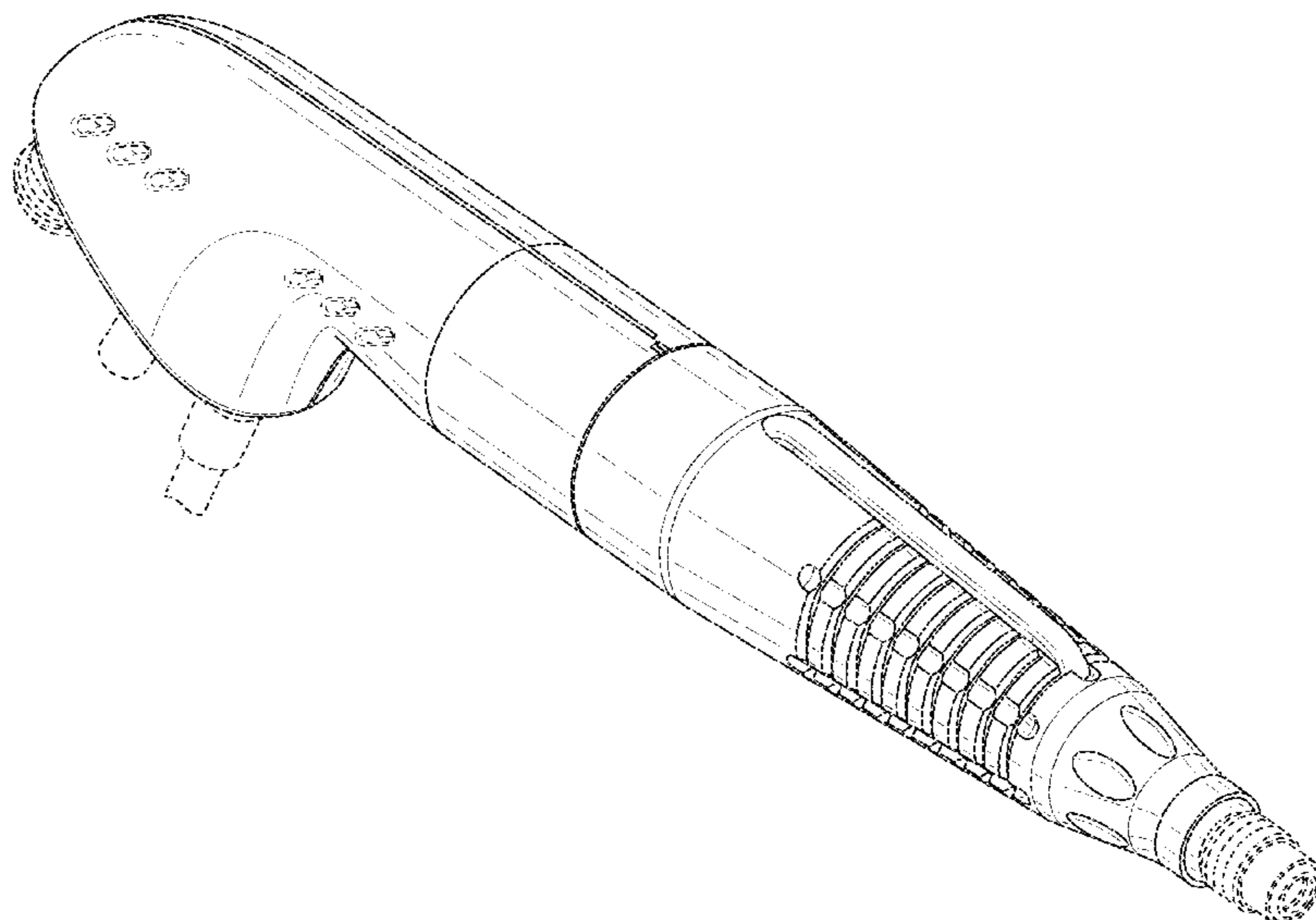
(57) **CLAIM**

We claim the ornamental design for a surgical handpiece, as shown and described.

**DESCRIPTION**

FIG. 1 is a right-side perspective view of the surgical handpiece of the present invention;  
FIG. 2 is a left-side perspective view of the surgical handpiece;  
FIG. 3 is a front view of the surgical handpiece;  
FIG. 4 is a back view of the surgical handpiece;  
FIG. 5 is a right-side elevation view of the surgical handpiece;  
FIG. 6 is a left-side elevation view of the surgical handpiece;  
FIG. 7 is a top elevation view of the surgical handpiece;  
FIG. 8 is a bottom elevation view of the surgical handpiece;  
and,  
FIG. 9 is a left-side elevation view of the surgical handpiece associated with a needle tip and sleeve.  
The broken lines shown in the surgical handpiece are for portions that form no part of the claimed design. The broken lines which illustrate a needle tip and sleeve in FIG. 9 are for the purpose of environment only and form no part of the claimed design.

**1 Claim, 8 Drawing Sheets**



(56)

**References Cited**

U.S. PATENT DOCUMENTS

D871,574 S	*	12/2019	Lohk .....	D24/138
D871,575 S	*	12/2019	Lohk .....	D24/138
D871,576 S	*	12/2019	Lohk .....	D24/138
D879,290 S	*	3/2020	Harman .....	D24/138
D886,999 S	*	6/2020	Lohk .....	D24/138
D888,237 S	*	6/2020	Lohk .....	D24/138
D898,910 S	*	10/2020	Hansen .....	D24/137
D909,575 S	*	2/2021	Ohno .....	D24/138
2001/0018570 A1		8/2001	Sussman et al.	
2006/0079832 A1		4/2006	Akahoshi	
2011/0009874 A1		1/2011	Wardle et al.	
2012/0078234 A1		3/2012	Merchant et al.	

\* cited by examiner

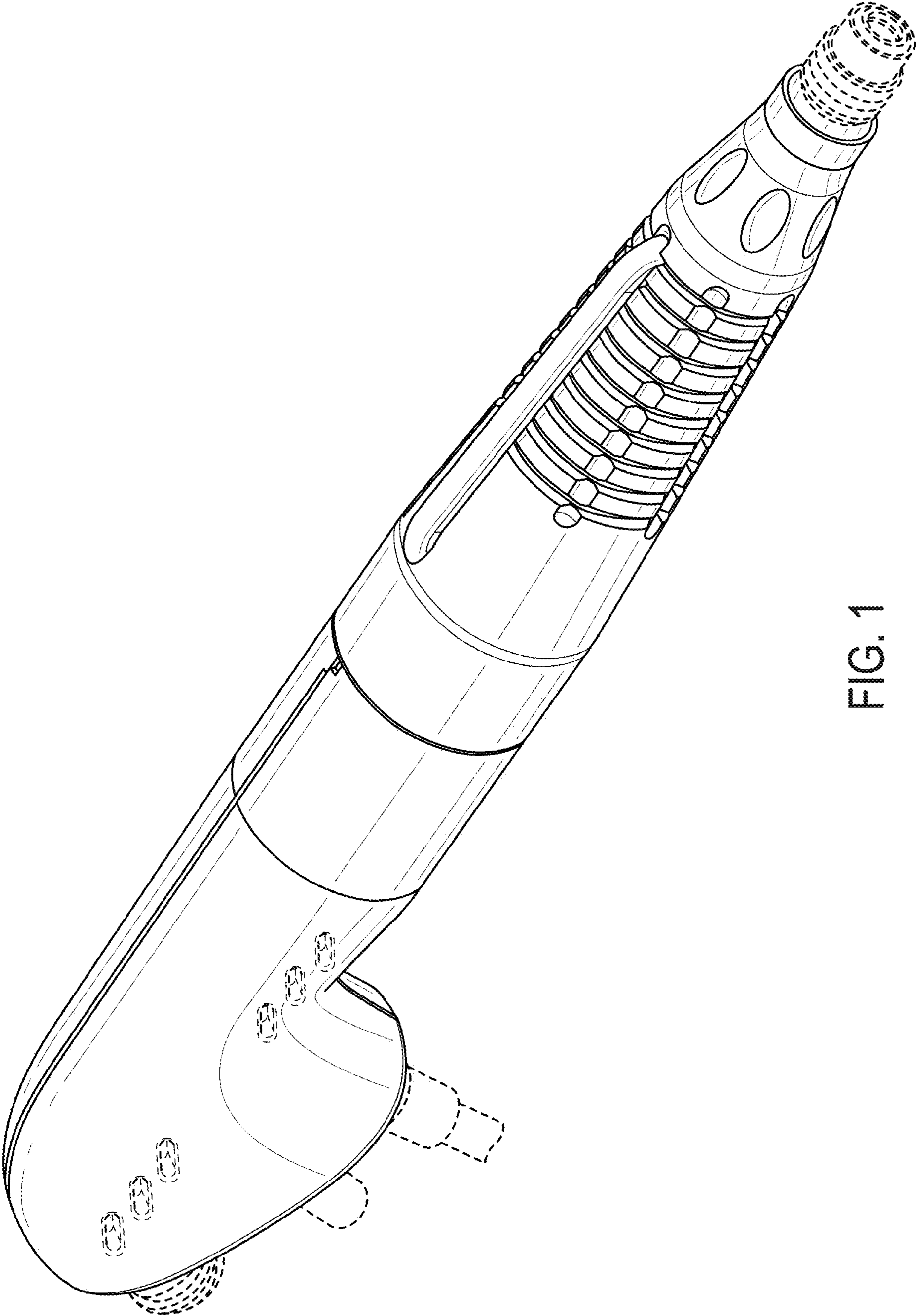


FIG. 1

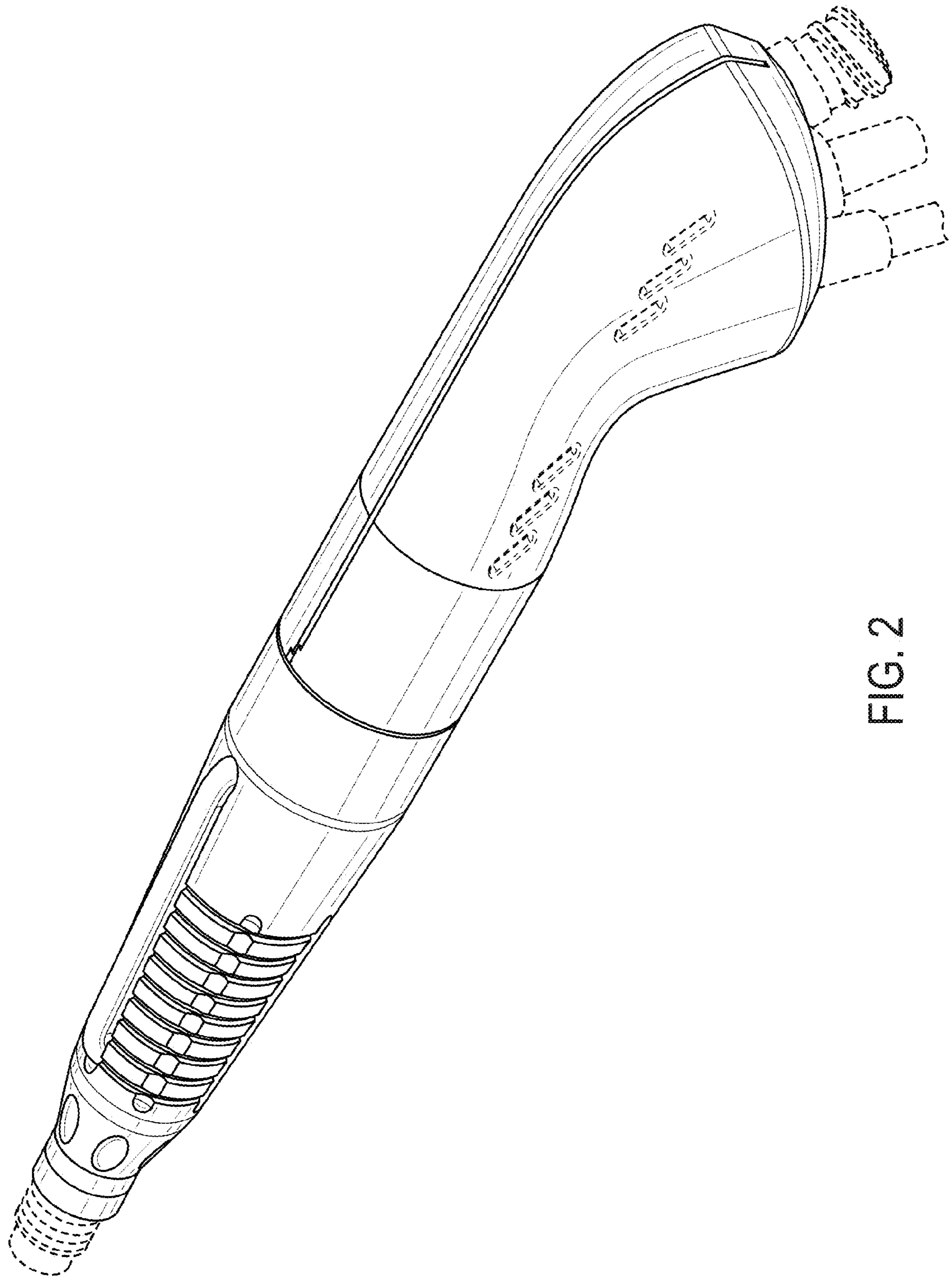


FIG. 2



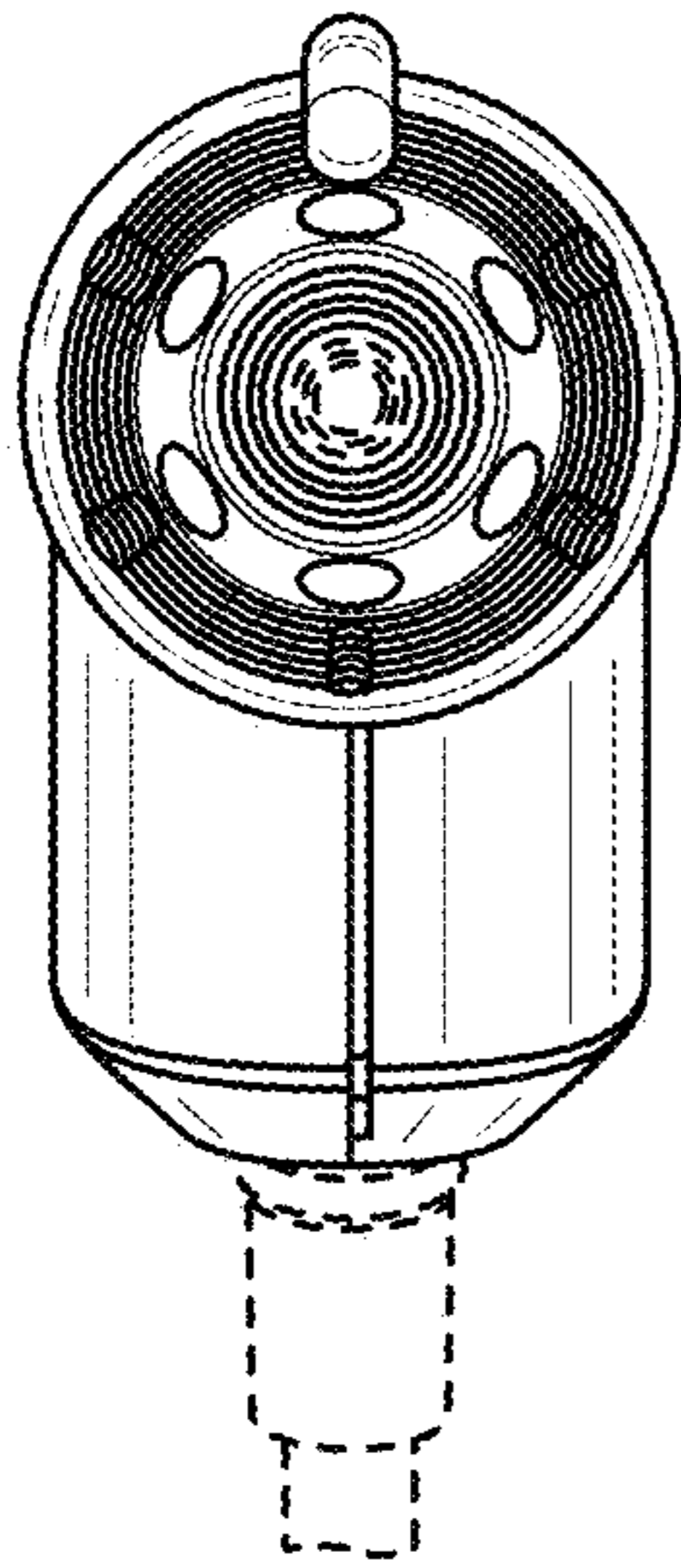


FIG. 3

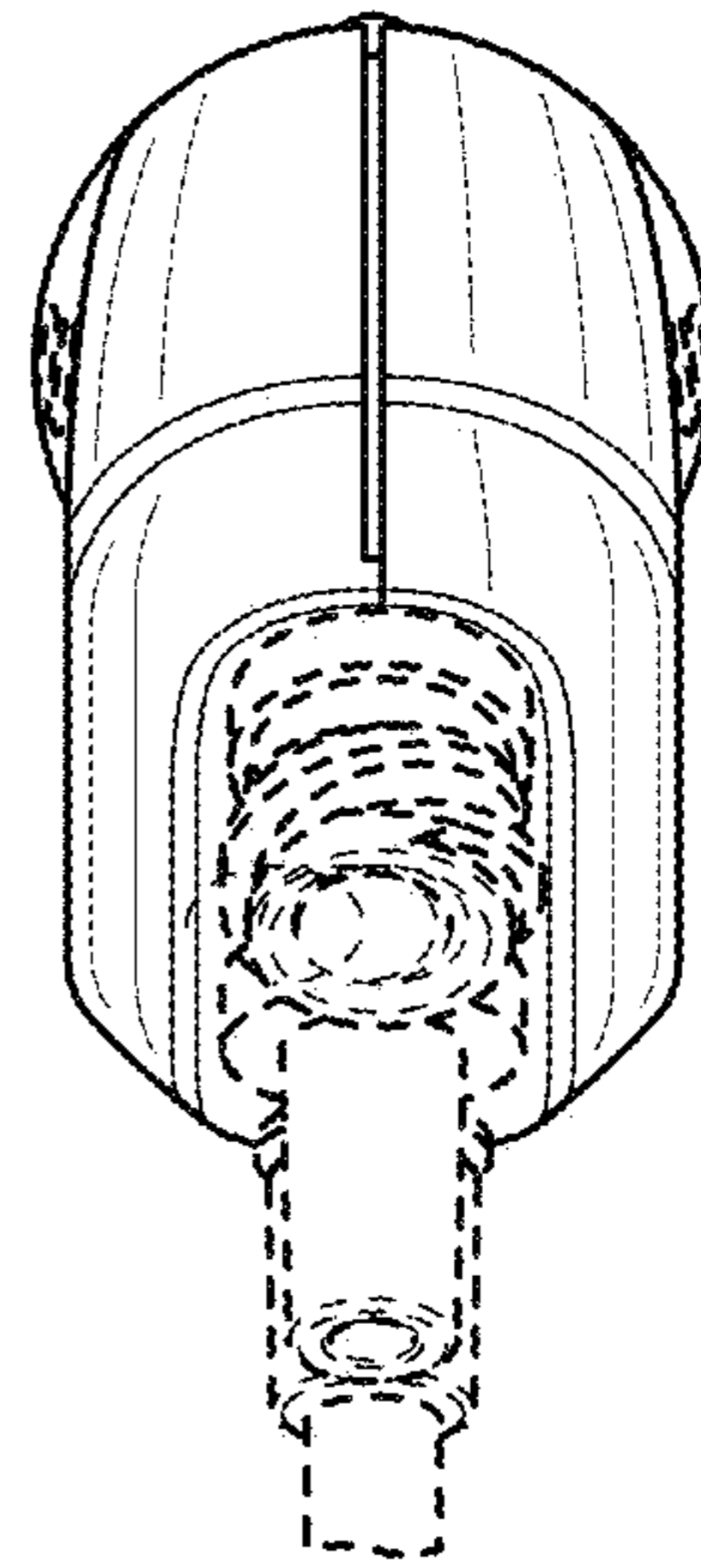


FIG. 4

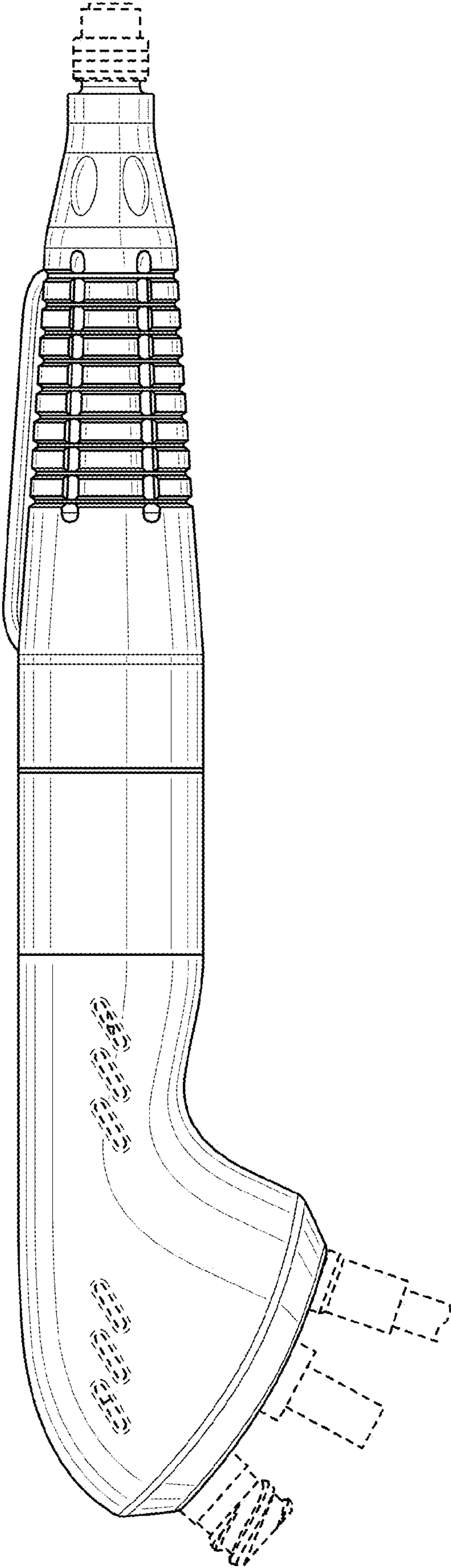


FIG. 5

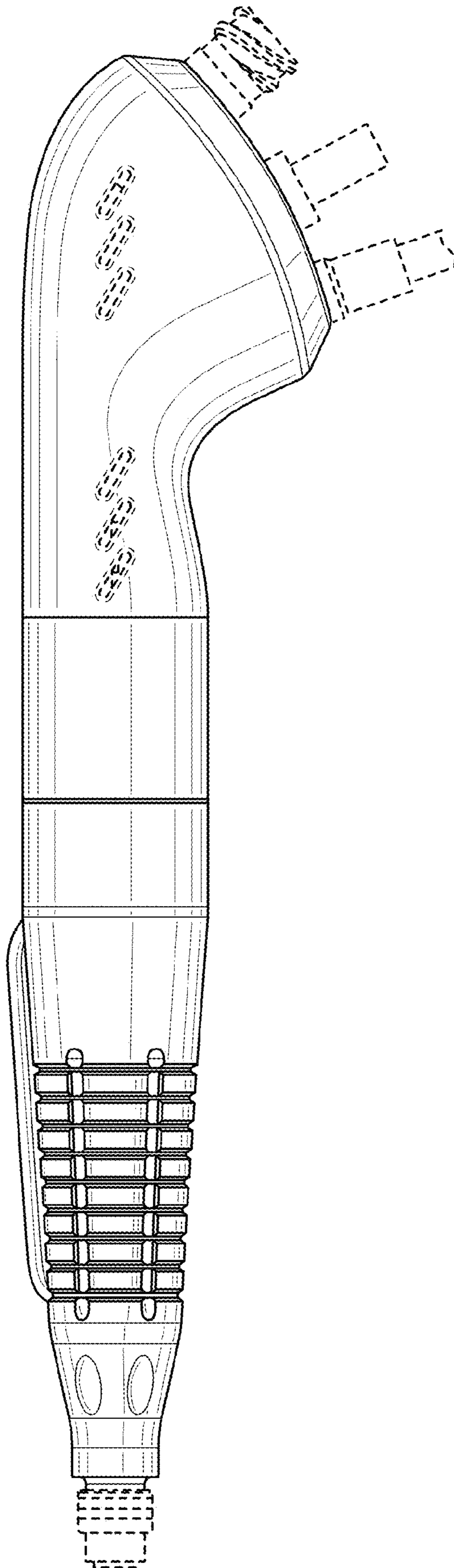


FIG. 6

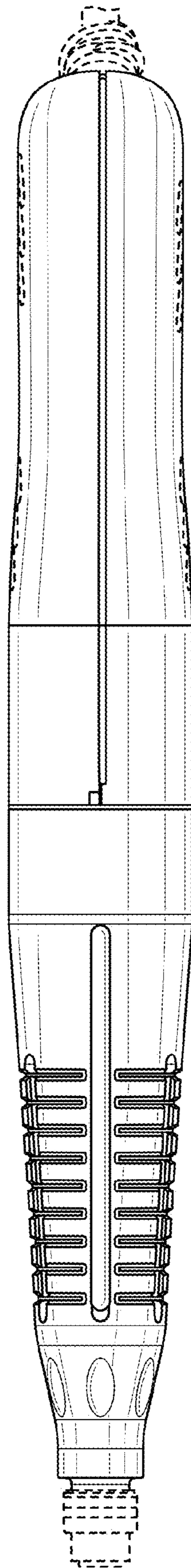


FIG. 7



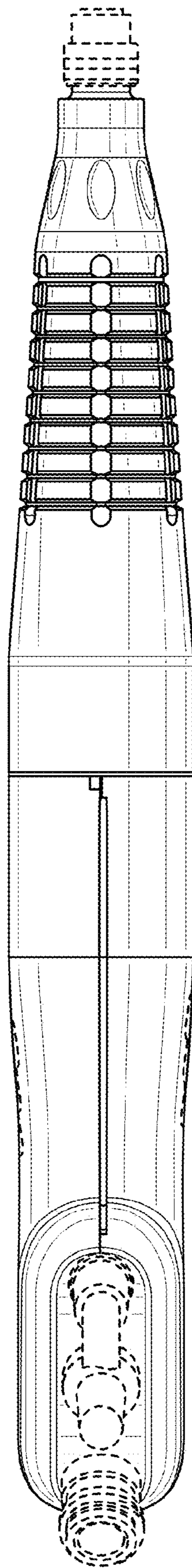


FIG. 8

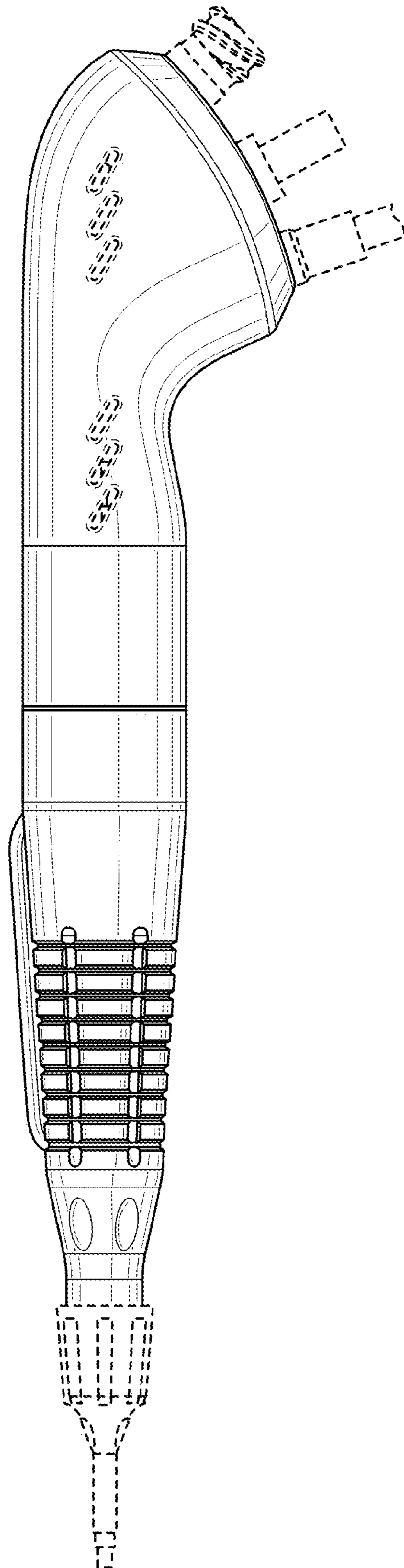


FIG. 9