



US00D946145S

(12) **United States Design Patent**
Leibowitz et al.

(10) **Patent No.:** **US D946,145 S**

(45) **Date of Patent:** **** Mar. 15, 2022**

(54) **SURGICAL TOOL HANDLE**

(71) Applicant: **Shukla Medical**, St. Petersburg, FL
(US)

(72) Inventors: **Evan G. Leibowitz**, Linden, NJ (US);
Zachary Robert Sweitzer, Keyport, NJ
(US)

(73) Assignee: **Shukla Medical**, St. Petersburg, FL
(US)

(**) Term: **15 Years**

(21) Appl. No.: **29/670,734**

(22) Filed: **Nov. 19, 2018**

(51) **LOC (13) Cl.** **24-02**

(52) **U.S. Cl.**
USPC **D24/133**

(58) **Field of Classification Search**
USPC D24/108, 112, 113-117, 127, 133, 134,
D24/136, 137, 138, 143, 145, 200;
D8/14, 16, 19, 21, 82, 83, 84, 85, 86,
D8/107, 34, 300, 303, 314, 372, 374, 394,
D8/77

CPC A61M 25/0136; A61B 17/00; A61B 17/62;
A61B 17/64; A61B 17/645

See application file for complete search history.

(56) **References Cited**

U.S. PATENT DOCUMENTS

818,242	A *	4/1906	Geisel	A63B 21/0004	482/128
D294,181	S	2/1988	Romero			
5,263,976	A *	11/1993	Williams	A61F 5/566	606/235
D357,703	S	4/1995	Chang			
6,151,998	A *	11/2000	Fu-Hui	B25G 1/085	81/177.1
D461,558	S *	8/2002	Schiavoni	D24/194	
7,272,999	B2 *	9/2007	Cutler	B25B 15/02	81/467

D566,514	S *	4/2008	Settles	D8/107	
D597,405	S *	8/2009	Startzell	D9/434	
D616,206	S *	5/2010	Junting	D4/138	
D628,660	S *	12/2010	Verheem	A63B 15/005	D21/681

(Continued)

OTHER PUBLICATIONS

Design U.S. Appl. No. 29/670,724, filed Nov. 19, 2018 with the United States Patent and Trademark Office.

(Continued)

Primary Examiner — Manpreet S Matharu

Assistant Examiner — Yolanda Robinson

(74) *Attorney, Agent, or Firm* — Kim IP Law Group LLC

(57) **CLAIM**

The ornamental design for a surgical tool handle, as shown and described.

DESCRIPTION

FIG. 1 is a bottom perspective view of a surgical tool handle in accordance with the new design;

FIG. 2 is a bottom plan view of the surgical tool handle of FIG. 1;

FIG. 3 is a top plan view of the surgical tool handle of FIG. 1;

FIG. 4 is a front elevational view of the surgical tool handle of FIG. 1;

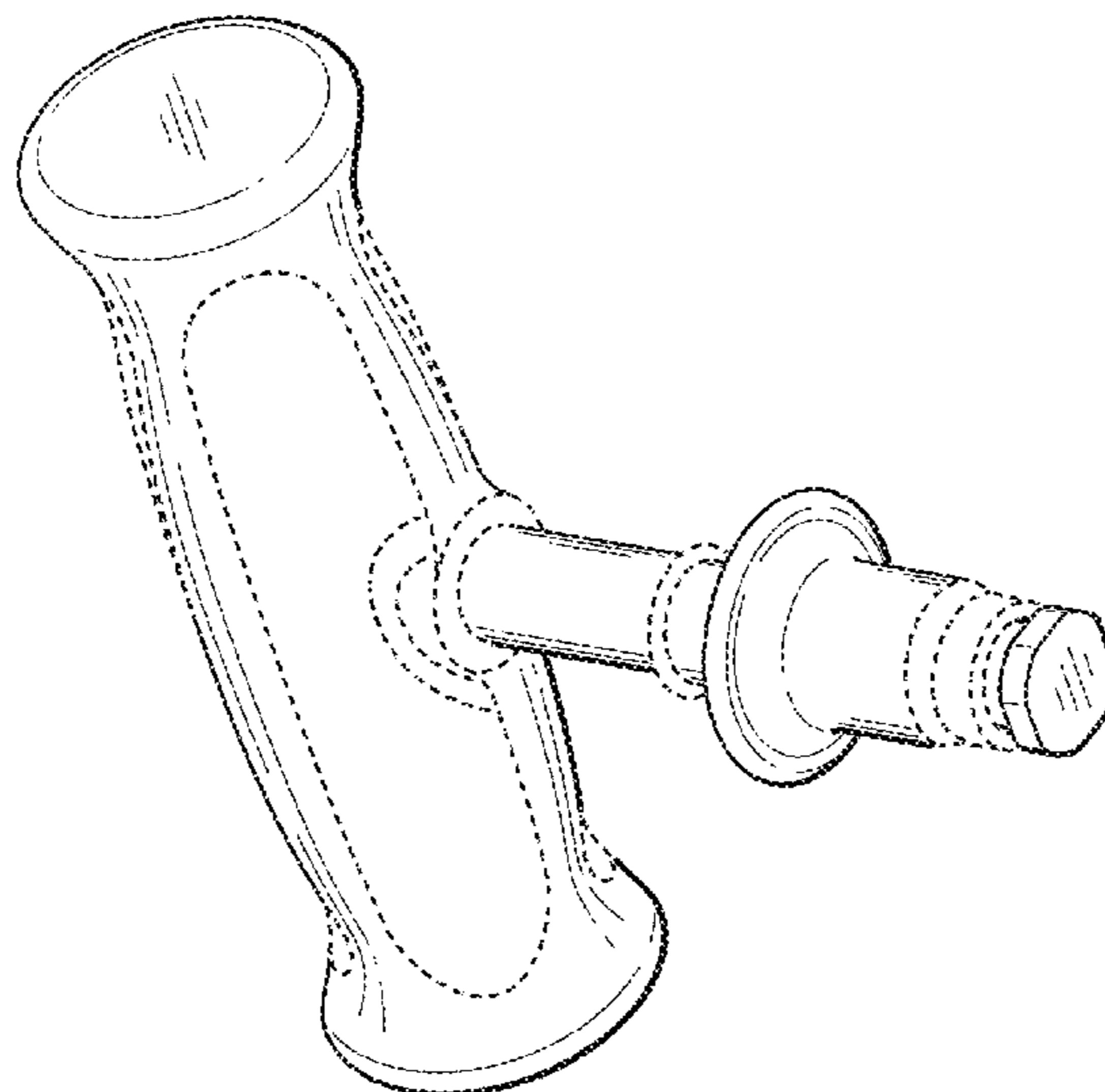
FIG. 5 is a rear elevational view of the surgical tool handle of FIG. 1;

FIG. 6 is a right side elevational view of the surgical tool handle of FIG. 1; and,

FIG. 7 is a left side elevational view of the surgical tool handle of FIG. 1.

The broken lines in FIGS. 1-7 illustrate portions of the surgical tool handle which form no part of the claimed design.

1 Claim, 4 Drawing Sheets



(56)

References Cited

U.S. PATENT DOCUMENTS

D632,157 S * 2/2011 Le D8/306
7,913,594 B2 * 3/2011 Gauthier B25B 13/463
81/467
D649,635 S * 11/2011 Cronin D24/133
D680,407 S 8/2013 Ramsland
D772,684 S * 11/2016 Zimmer D8/307
D786,430 S * 5/2017 Davies D24/144
D787,296 S * 5/2017 Zimmer D8/307
D788,567 S * 6/2017 Zimmer D8/317
D790,061 S * 6/2017 Gu D24/152
D791,566 S * 7/2017 Howell D8/302
D805,641 S * 12/2017 Gu D24/152
D807,147 S * 1/2018 Renault D8/303
D832,426 S * 10/2018 Holton D24/127
D839,066 S * 1/2019 Bast D8/14
D845,740 S * 4/2019 Bast D8/107
D854,909 S * 7/2019 Wells D8/315
2010/0288087 A1 * 11/2010 Lai B25G 1/085
81/490
2012/0040805 A1 * 2/2012 Chen A63B 21/0608
482/110

OTHER PUBLICATIONS

Office Action dated Jan. 16, 2020 in Design U.S. Appl. No. 29/670,724.

Design U.S. Appl. No. 29/671,307, filed Nov. 26, 2018 with the United States Patent and Trademark Office.

Office Action dated Dec. 31, 2019 in Design U.S. Appl. No. 29/671,307.

* cited by examiner

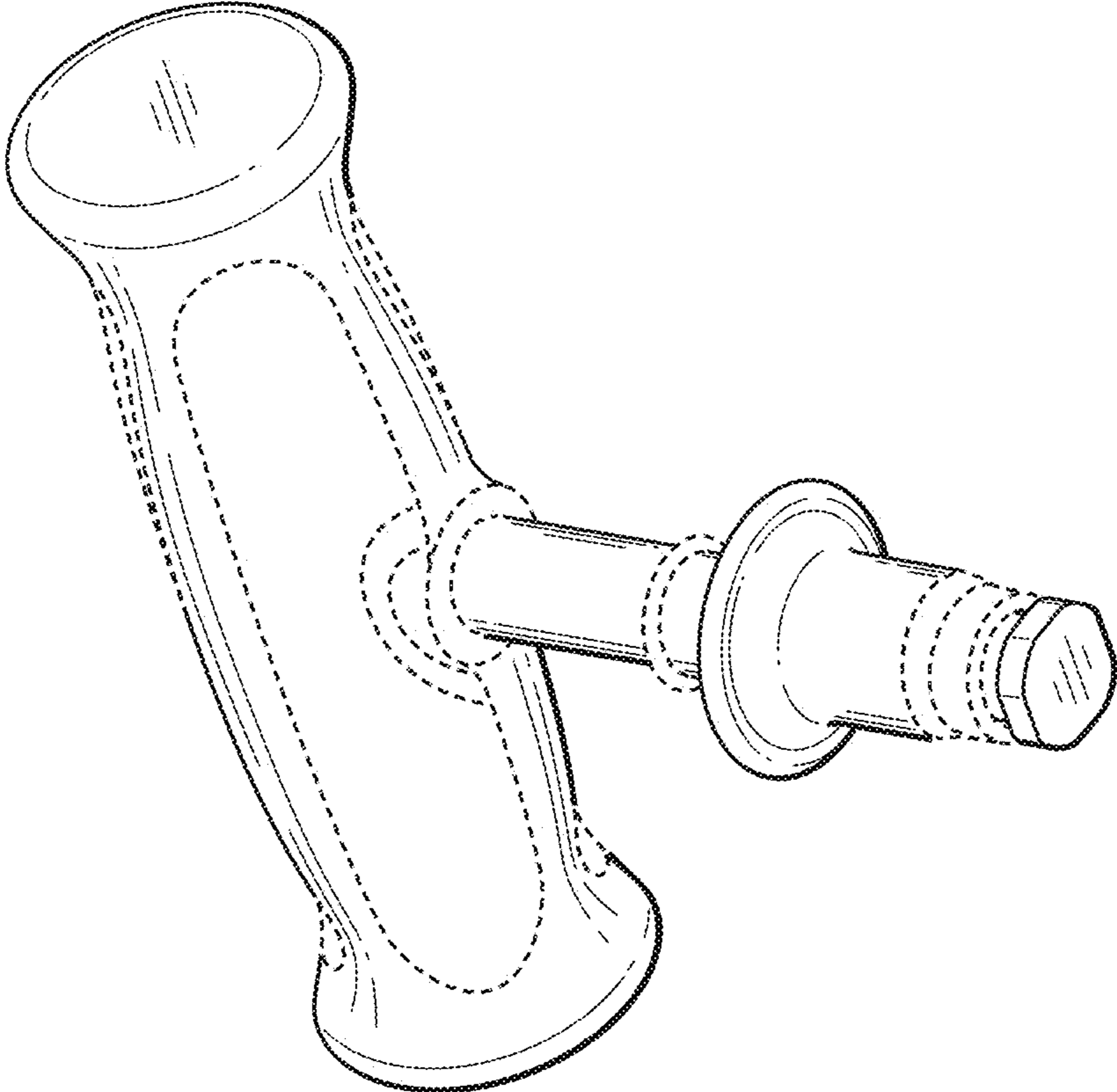


FIG. 1

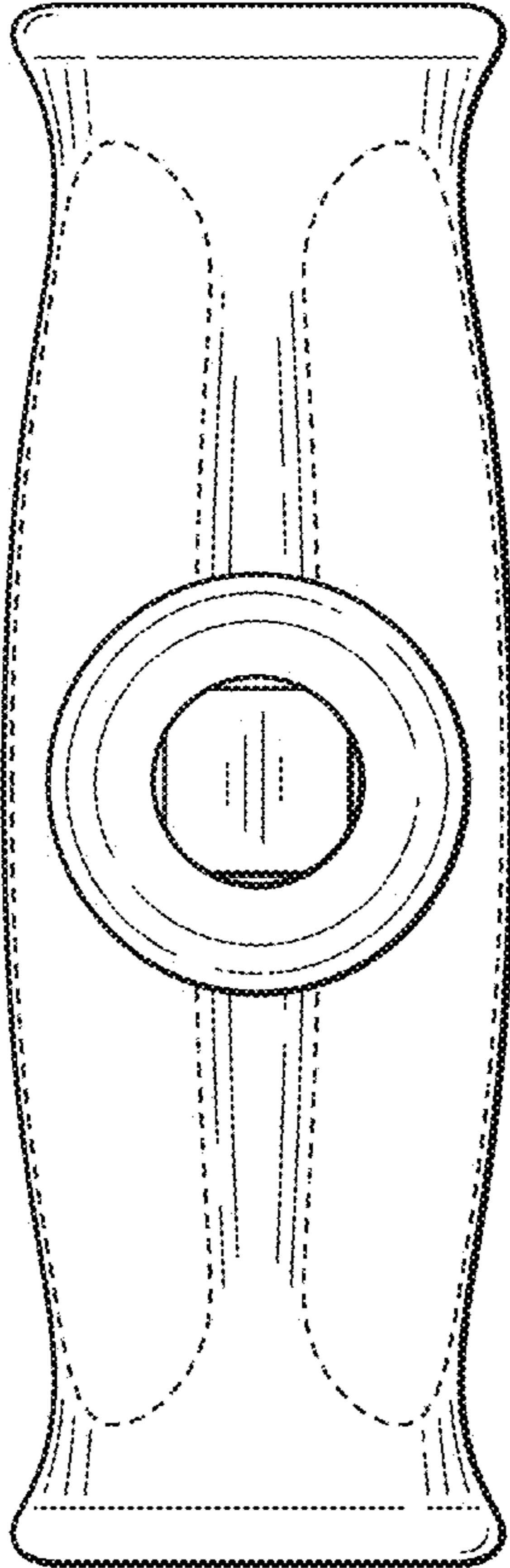


FIG. 2

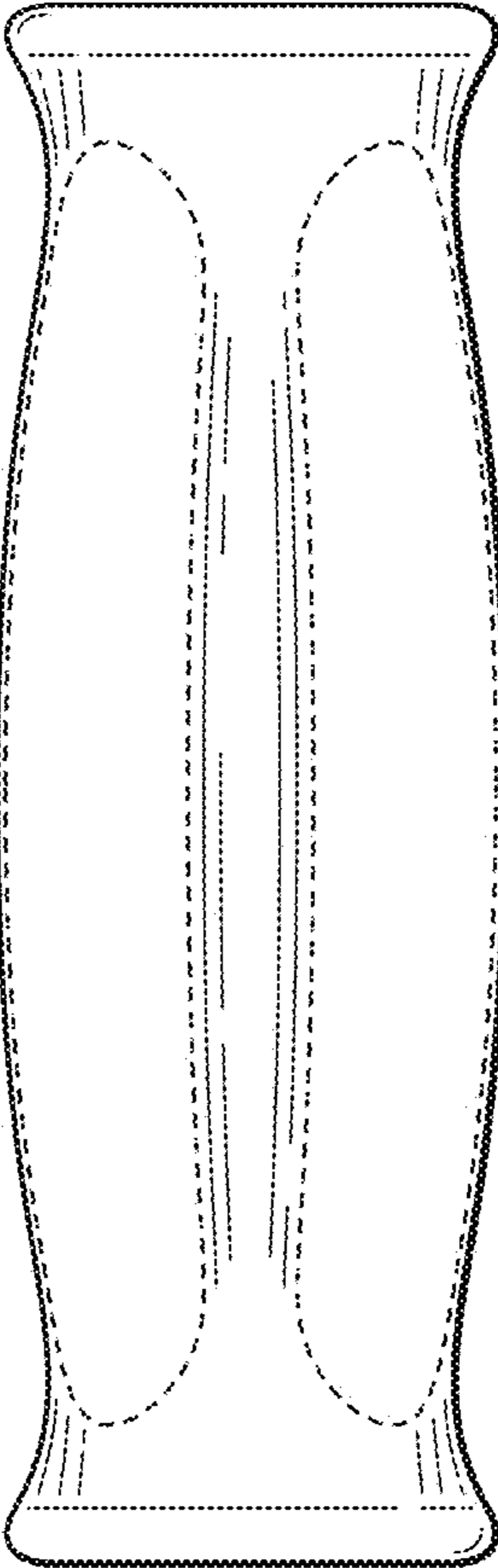


FIG. 3

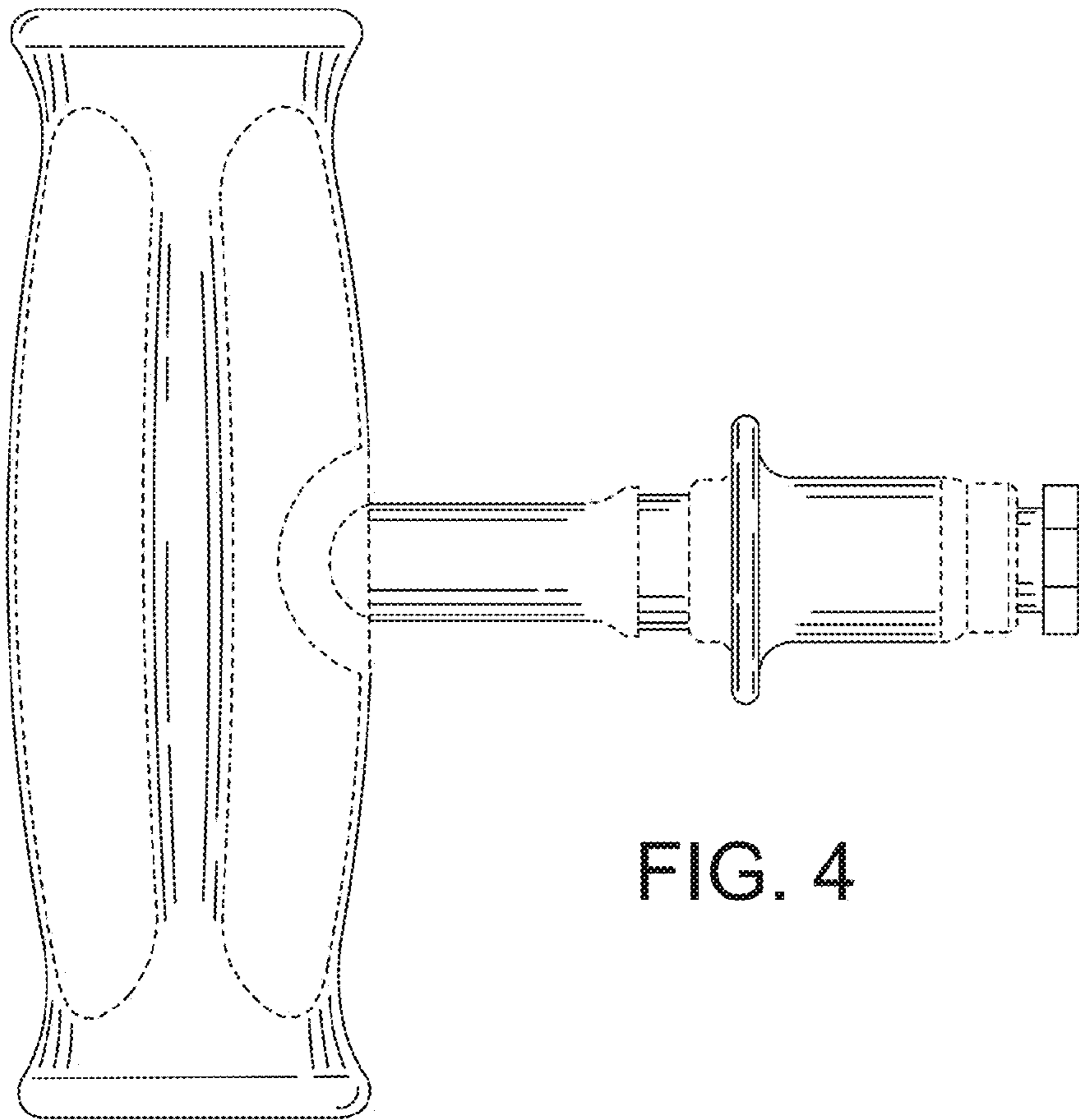


FIG. 4

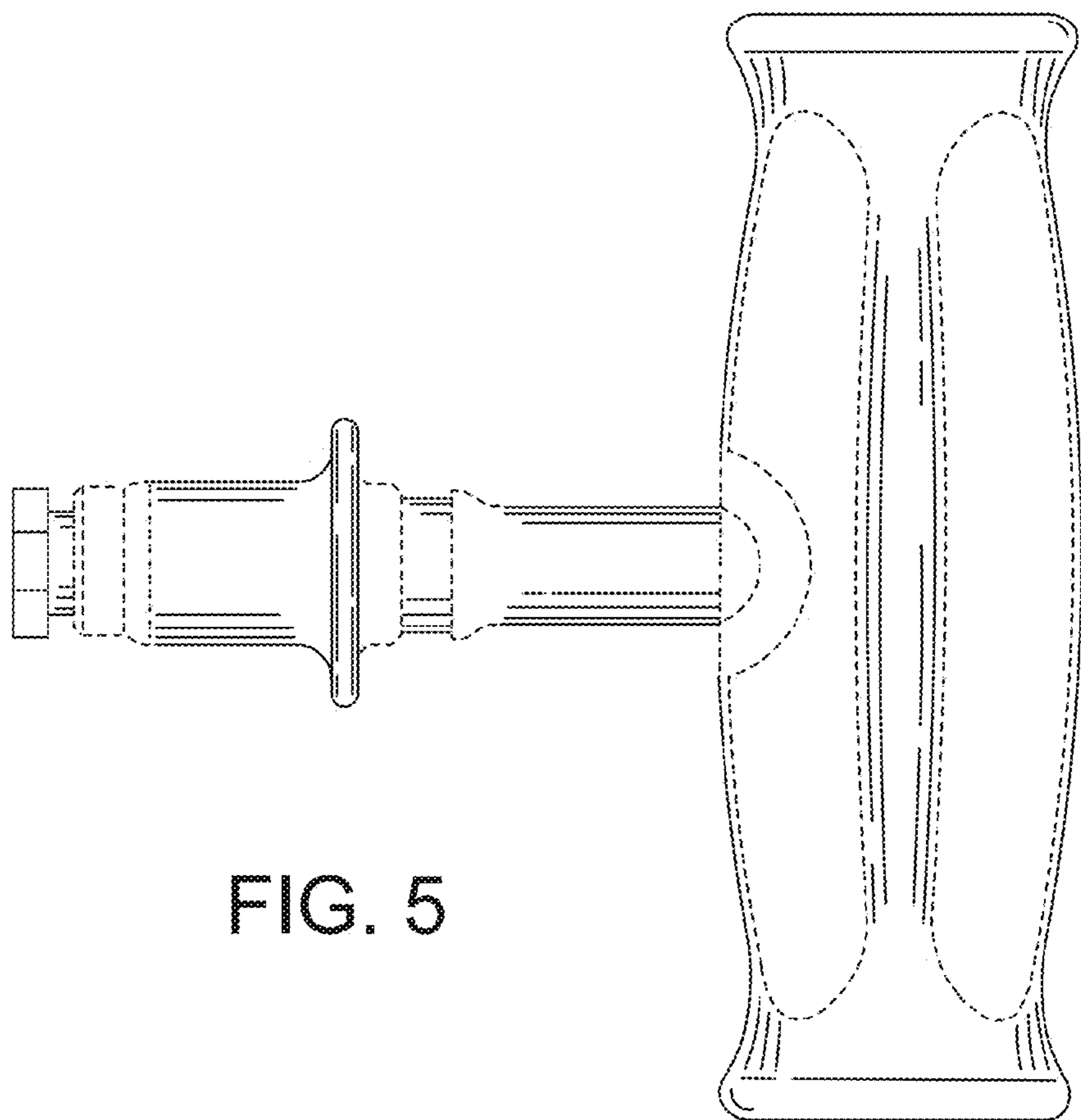


FIG. 5

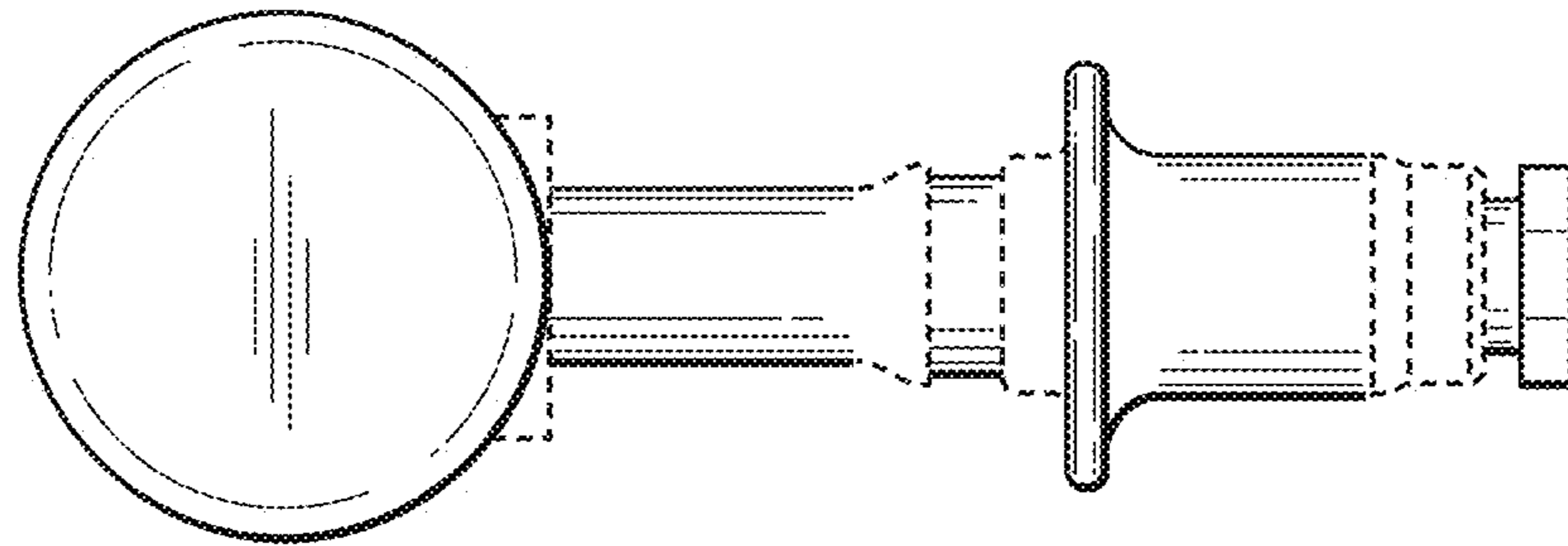


FIG. 6

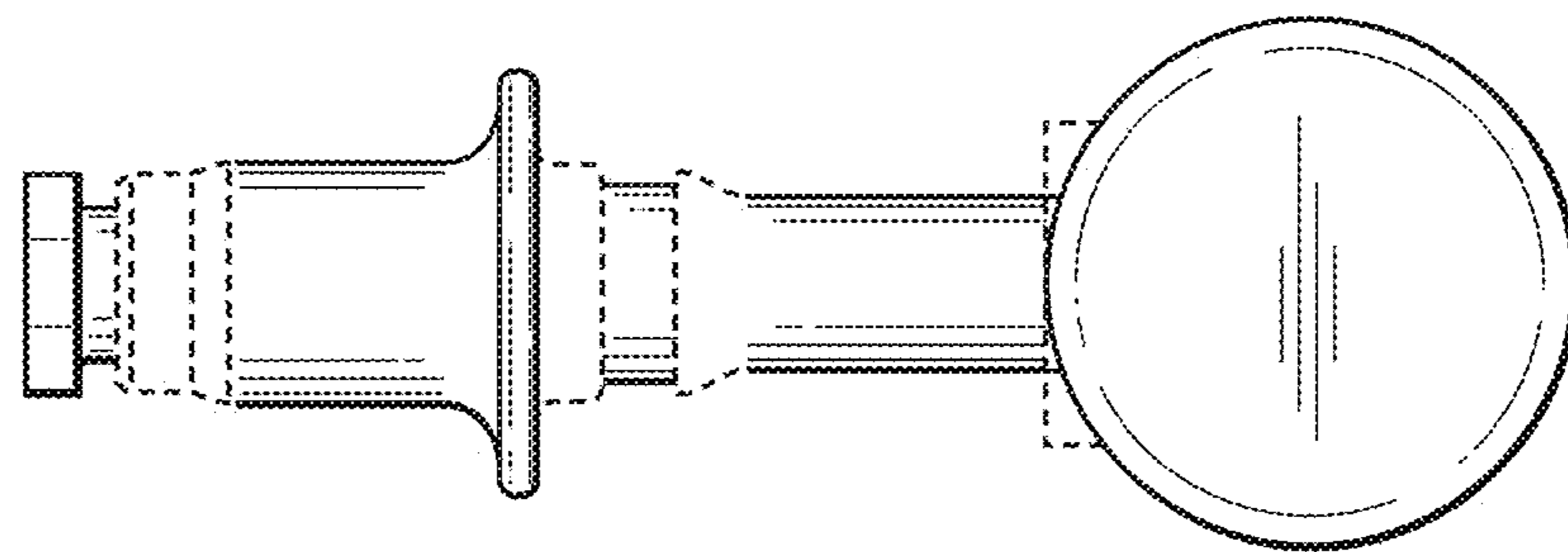


FIG. 7