



US00D946144S

(12) **United States Design Patent**
Lilly et al.

(10) **Patent No.:** **US D946,144 S**
(45) **Date of Patent:** **** Mar. 15, 2022**

(54) **PLUNGER**

7,985,188 B2 7/2011 Felts et al.
10,195,347 B1 * 2/2019 Berkman A61M 5/31
10,850,042 B2 * 12/2020 Giraud A61L 31/10
(Continued)

(71) Applicant: **SIO2 MEDICAL PRODUCTS, INC.**,
Auburn, AL (US)

(72) Inventors: **Brian Russell Lilly**, Auburn, AL (US);
Timothy M. Miller, Collegeville, PA
(US)

FOREIGN PATENT DOCUMENTS

DE 835780 C 4/1952
EP 3291864 A1 3/2018
(Continued)

(73) Assignee: **SIO2 Medical Prodcuts, Inc.**, Auburn,
AL (US)

OTHER PUBLICATIONS

(**) Term: **15 Years**

International Search Report for International Application No. PCT/
US2019/026680, dated Jun. 18, 2019.

(21) Appl. No.: **29/708,593**

Primary Examiner — Nathan M Johnston
(74) *Attorney, Agent, or Firm* — Mark T. Vogelbacker;
Eckert Seamans Cherin & Mellott, LLC

(22) Filed: **Oct. 8, 2019**

Related U.S. Application Data

(63) Continuation-in-part of application No.
PCT/US2019/026680, filed on Apr. 9, 2019.

(51) **LOC (13) Cl.** **24-02**

(52) **U.S. Cl.**
USPC **D24/130**

(58) **Field of Classification Search**
USPC D24/112–114, 108, 133, 130, 127, 186;
606/181, 185; 604/264, 523–528, 272,
604/187, 158, 164.01–164.11, 181, 184,
604/227
CPC A61M 5/31511; A61M 5/5086;
A61M 5/002; A61M 2005/3104
See application file for complete search history.

(57) **CLAIM**

The ornamental design for a plunger, as shown and
described.

DESCRIPTION

FIG. 1 is a perspective view of a plunger in accordance with
an embodiment of our new design;
FIG. 2 is a side elevation view of the plunger shown in FIG.
1;
FIG. 3 is another side elevation view of the plunger shown
in FIG. 1;
FIG. 4 is a top plan view of the plunger shown in FIG. 1;
FIG. 5 is a bottom plan view of the plunger shown in FIG.
1; and,
FIG. 6 is a magnified view of area 6 of the plunger identified
in FIG. 2.

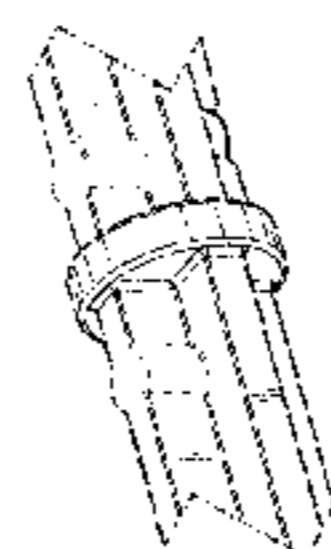
The dashed dot lines immediately adjacent to the shaded
areas in the figures represent the boundaries of the claimed
design. The dashed lines in the figures illustrate the portions
of the plunger that form no part of the claimed design. None
of the broken lines form any part of the claimed design.

1 Claim, 5 Drawing Sheets

(56) **References Cited**

U.S. PATENT DOCUMENTS

6,206,859 B1 * 3/2001 Niedospial, Jr. ... A61M 5/31511
604/220
D638,122 S * 5/2011 Kosinski A61M 5/31511
D24/130



(56)

References Cited

U.S. PATENT DOCUMENTS

2003/0060759 A1* 3/2003 Lau A61M 5/5013
604/110
2004/0039333 A1* 2/2004 Lee A61M 5/322
604/110
2004/0153037 A1* 8/2004 Huang A61M 5/3135
604/220
2010/0318036 A1* 12/2010 Kawamura A61M 5/31511
604/189
2013/0082057 A1 4/2013 Schiff et al.
2013/0116628 A1* 5/2013 Kulshrestha A61L 31/048
604/227
2013/0291632 A1 11/2013 Felts et al.
2014/0378948 A1* 12/2014 Mellejor A61M 5/315
604/515
2016/0354549 A1* 12/2016 Phipps A61M 5/34
2017/0021108 A1* 1/2017 Swal A61M 5/31513
2017/0304536 A1* 10/2017 Gonzalez A61M 5/31511

FOREIGN PATENT DOCUMENTS

WO 2009108847 A1 9/2009
WO 2014033175 A2 3/2014
WO 2014164928 A1 10/2014
WO 2015054282 A2 4/2015
WO 2016039816 A1 3/2016
WO 2017011599 A1 1/2017
WO 2017031354 A2 2/2017
WO 2017209800 A1 12/2017

* cited by examiner

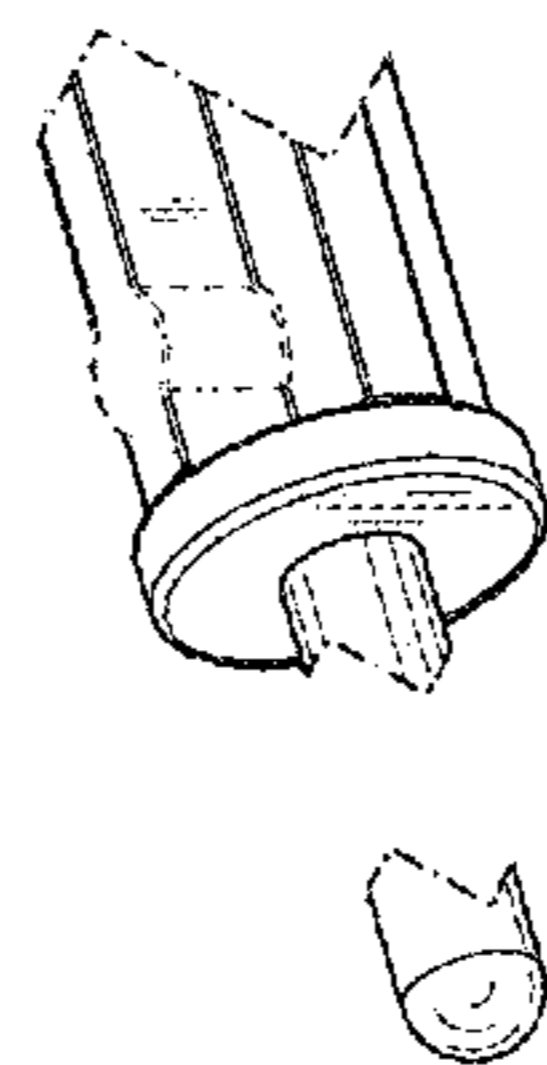
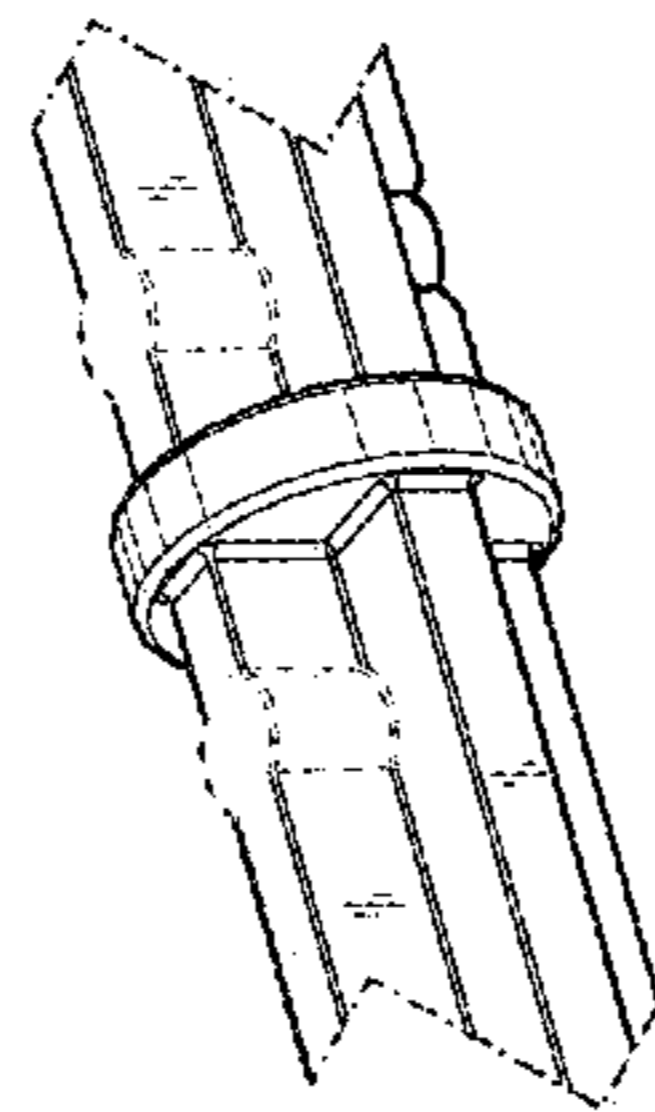
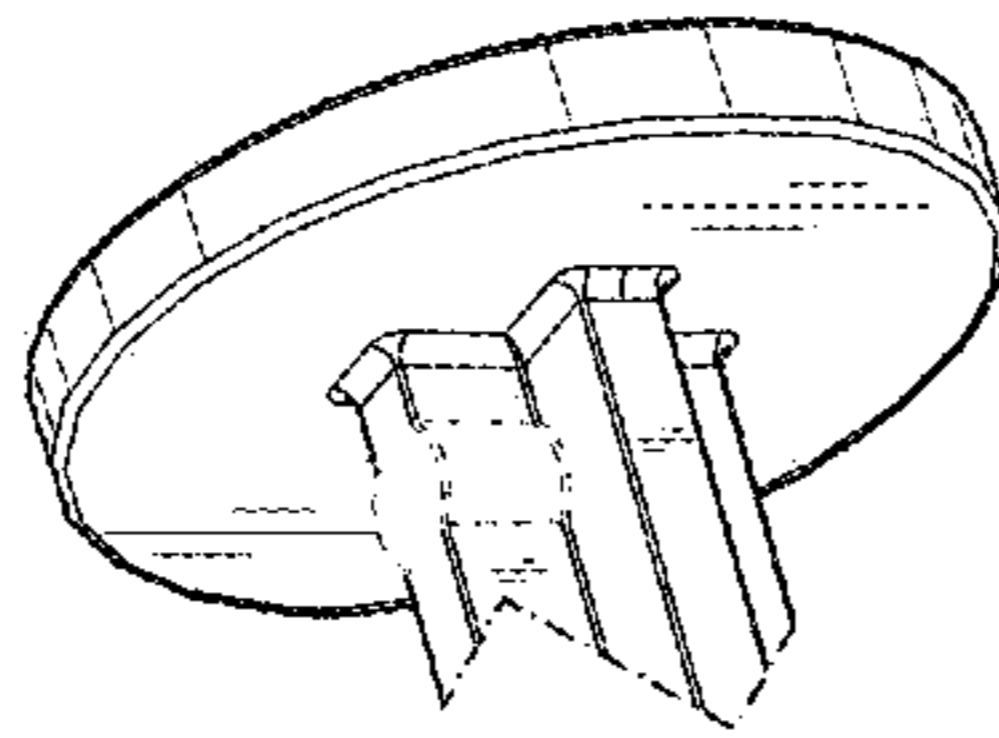


FIG. 1

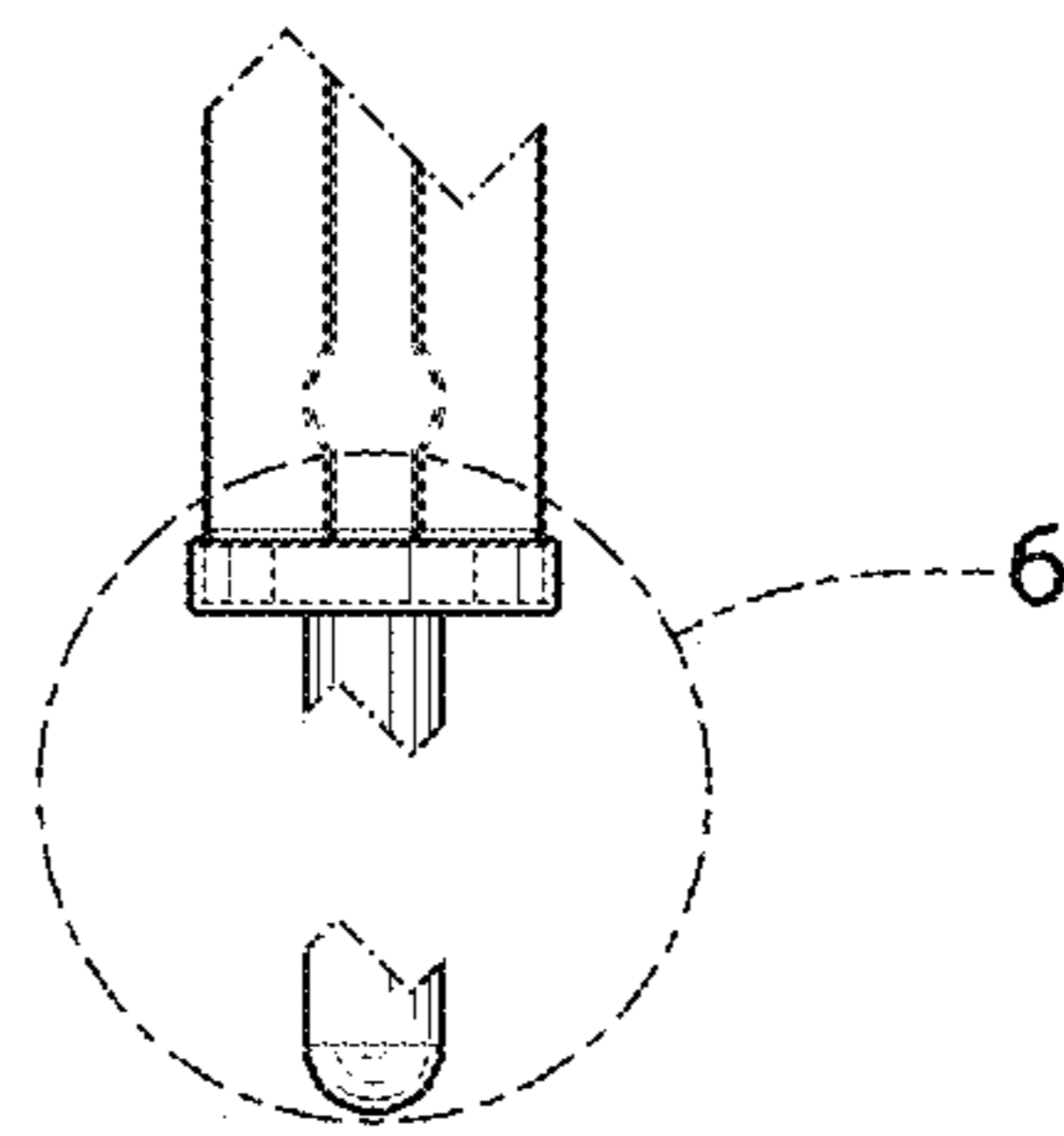
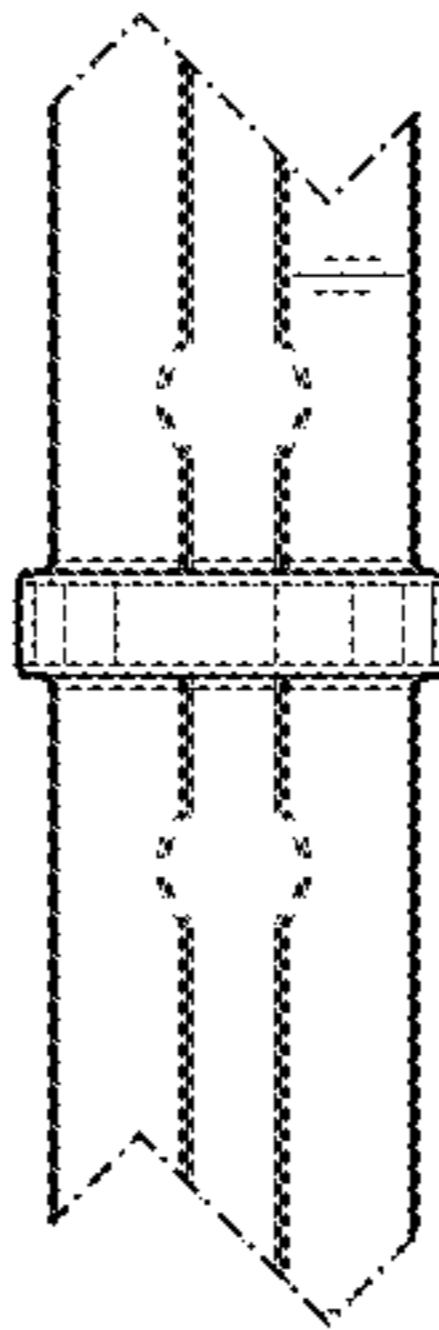
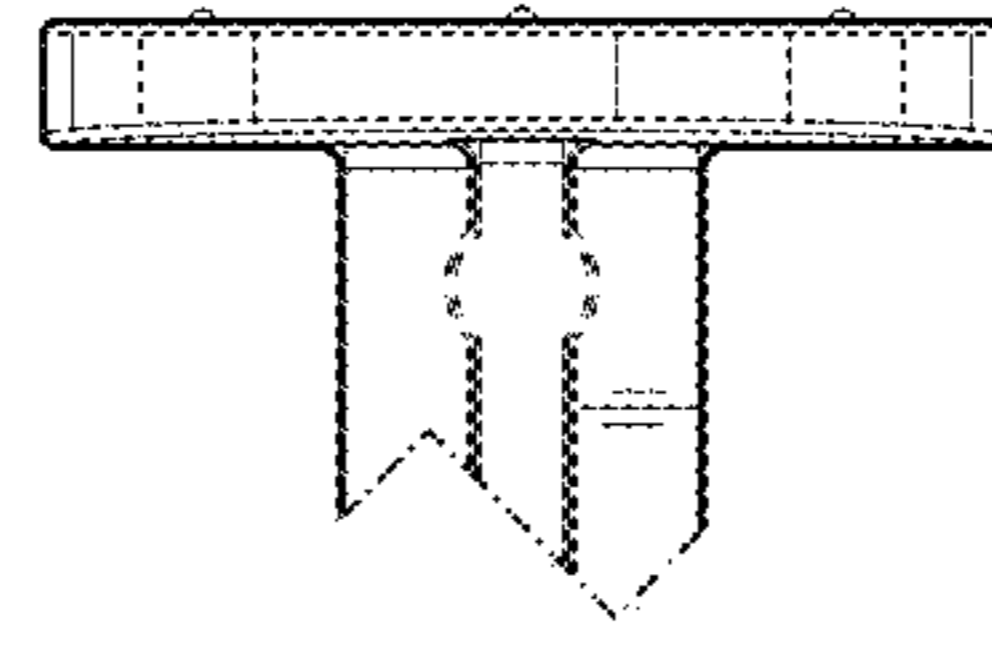


FIG. 2

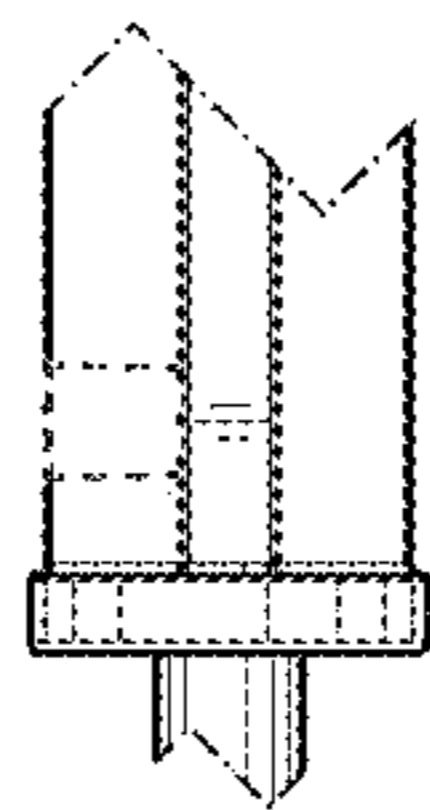
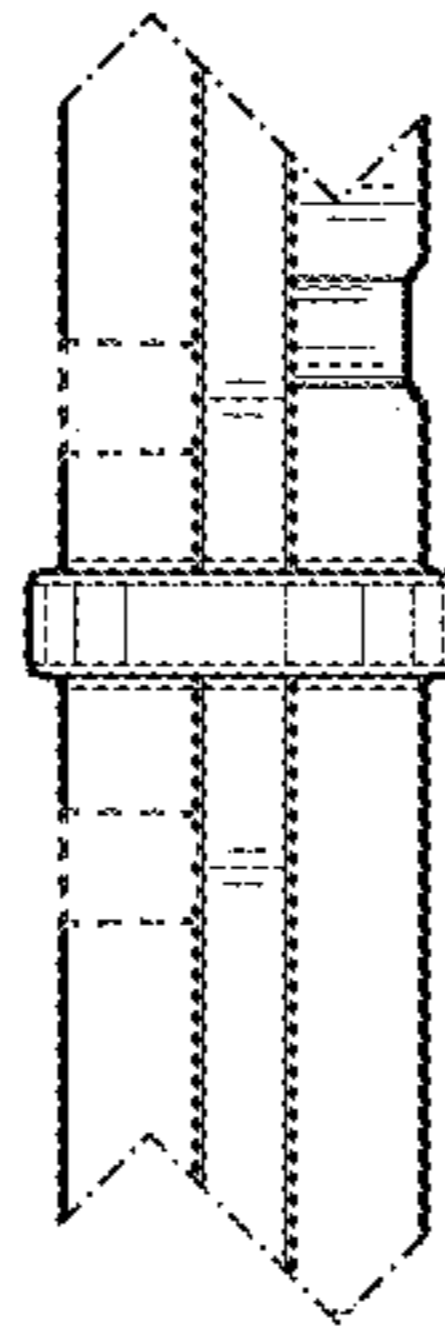
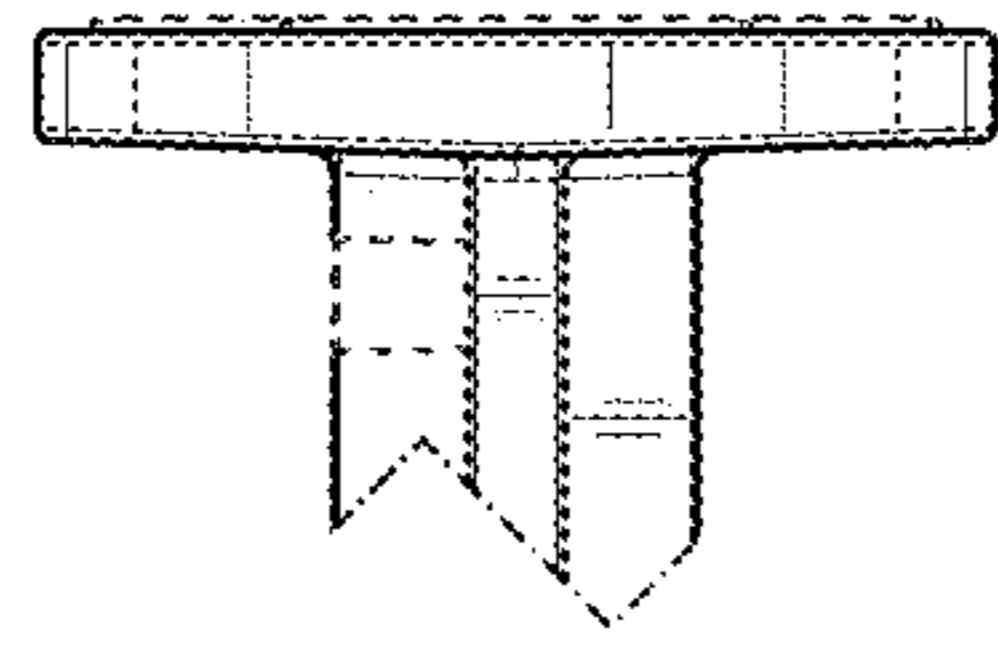


FIG. 3

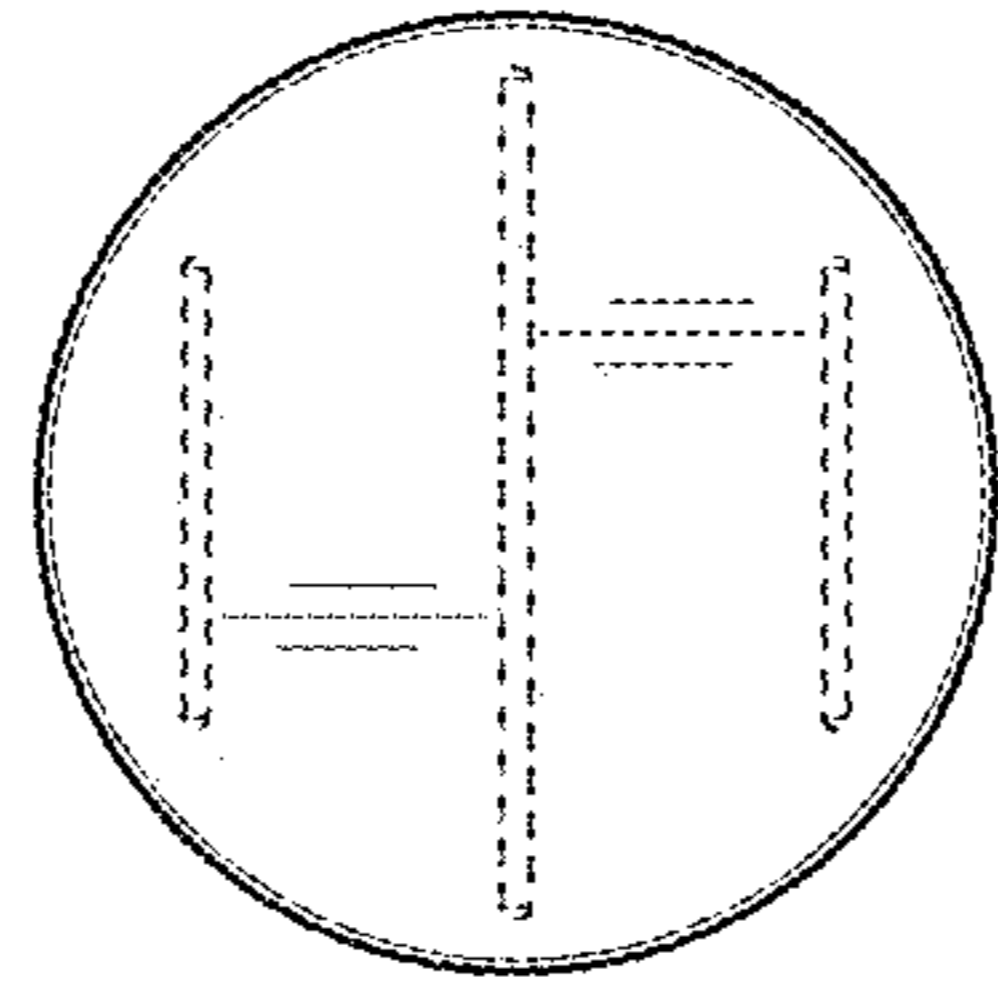


FIG. 4



FIG. 5

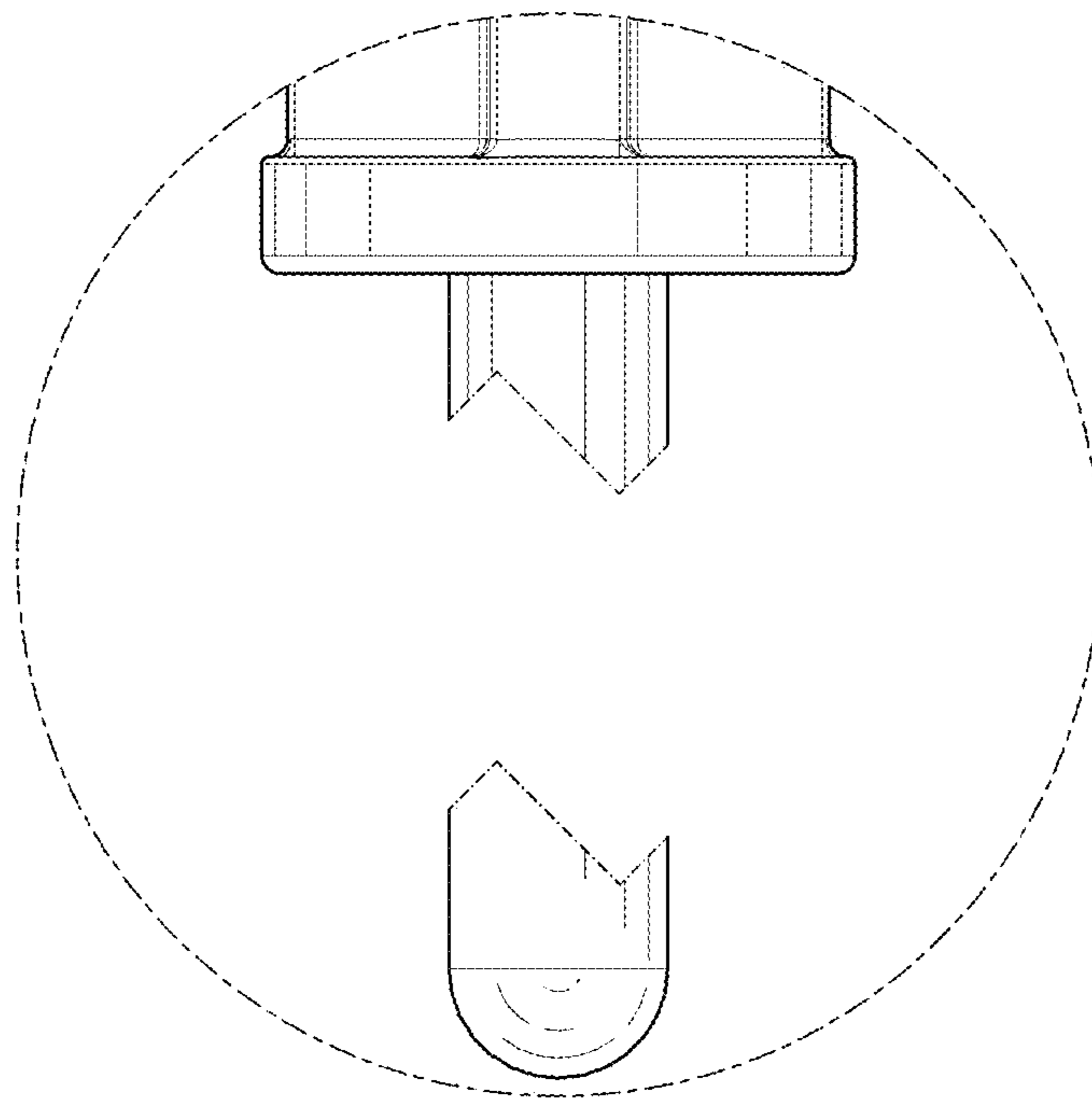


FIG. 6