

US00D946142S

(12) **United States Design Patent**  
**Tretheway et al.**

(10) **Patent No.:** **US D946,142 S**  
(45) **Date of Patent:** **\*\* Mar. 15, 2022**

- (54) **OSTOMY BAG**
- (71) Applicant: **Salts Healthcare Limited**, Birmingham (GB)
- (72) Inventors: **Lee Tretheway**, Birmingham (GB); **Lee Howard**, Birmingham (GB); **Iain Powner**, Birmingham (GB); **Jesus Alfaro**, Birmingham (GB)
- (73) Assignee: **Salts Healthcare Limited**, Birmingham (GB)
- (\*\*) Term: **15 Years**
- (21) Appl. No.: **29/775,840**
- (22) Filed: **Mar. 25, 2021**

D380,543 S *	7/1997	Piontek	.....	D24/108
D396,731 S	8/1998	Mirto		
D398,990 S *	9/1998	Briggs	.....	D24/118
D398,991 S	9/1998	Briggs et al.		
D400,245 S *	10/1998	Niedospial, Jr.	.....	D24/118
D408,533 S	4/1999	Niedospial, Jr. et al.		
D460,550 S *	7/2002	Falconer	.....	D24/118
6,589,221 B1 *	7/2003	Olsen	.....	A61F 5/4407 604/332
D481,864 S *	11/2003	Landry	.....	D2/976
D487,313 S *	3/2004	Mazzella	.....	D24/118
6,790,200 B2 *	9/2004	Fenton	.....	A61F 5/445 604/332
7,223,260 B2 *	5/2007	Hansen	.....	A61F 5/4407 383/31
D607,559 S *	1/2010	Schena	.....	D24/118
D618,791 S *	6/2010	Schena	.....	D24/118
8,088,114 B1	1/2012	Pauze		
8,449,511 B2 *	5/2013	Andersen	.....	A61F 5/44 604/332

(Continued)

**Related U.S. Application Data**

- (62) Division of application No. 29/684,470, filed on Mar. 21, 2019.
- (51) **LOC (13) Cl.** ..... **24-02**
- (52) **U.S. Cl.**  
USPC ..... **D24/118**
- (58) **Field of Classification Search**  
USPC ..... D24/108, 112-114, 118, 127, 129, 130,  
D24/133, 186, 189; D2/976  
CPC ..... A61M 1/0011; A61F 5/442; A61F  
201/00153  
See application file for complete search history.

*Primary Examiner* — T Chase Nelson

*Assistant Examiner* — Kelly L Gross

(74) *Attorney, Agent, or Firm* — Boyle Fredrickson S.C.

(57) **CLAIM**

The ornamental design for an ostomy bag, as shown and described.

**DESCRIPTION**

FIG. 1 is a rear elevation view of an ostomy bad incorporating our new design, wherein the generally oval surface, bounded by the thicker dashed line and thinner inner dashed line, is shown in white and is part of the claimed design; FIG. 2 is a front elevation view of the ostomy bag of FIG. 1, wherein the generally oval surface is shown in white and is part of the claimed design.

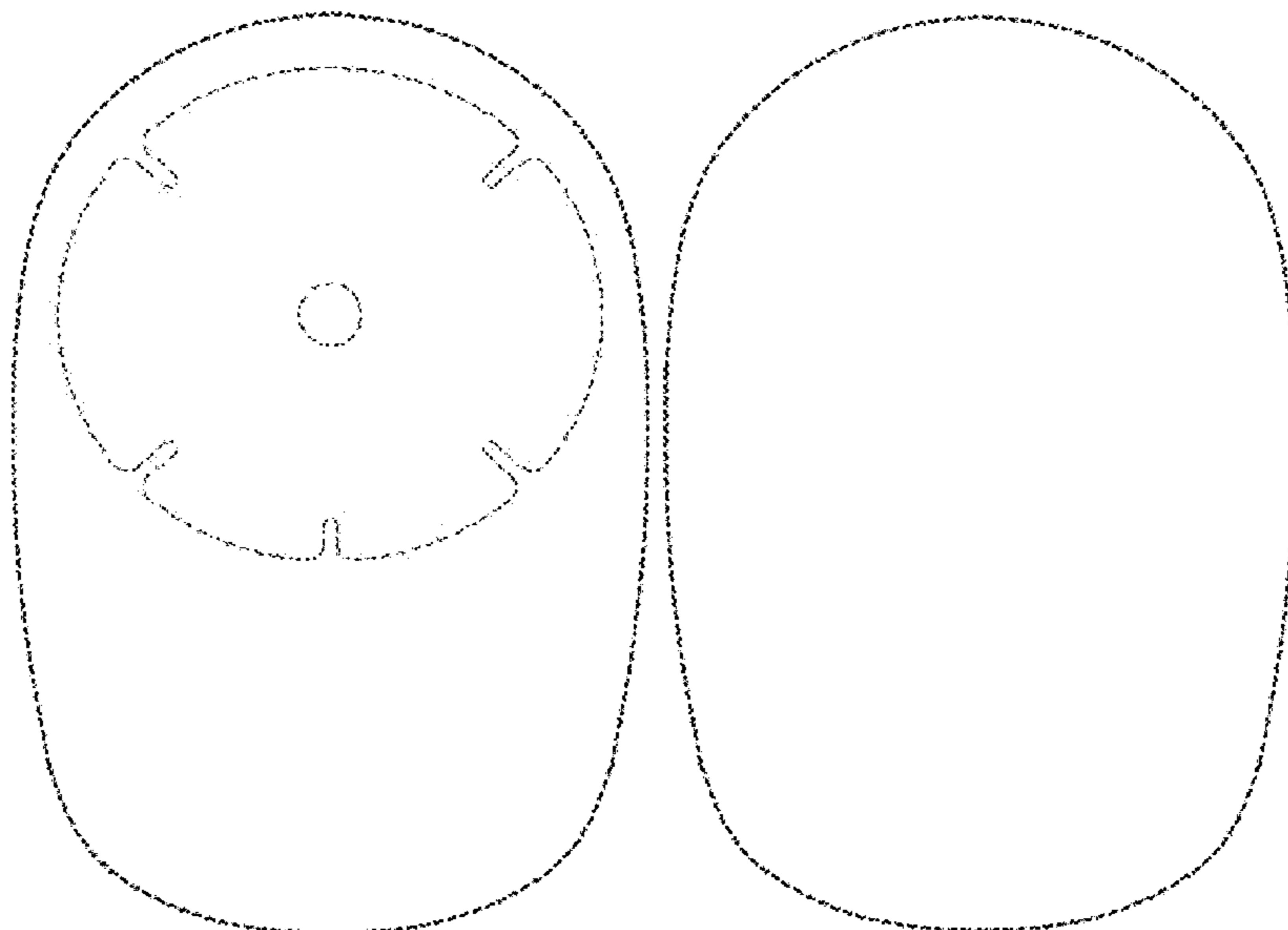
The dashed lines found in the figures and all surfaces not shown form no part of the claimed design.

**1 Claim, 2 Drawing Sheets**

(56) **References Cited**

**U.S. PATENT DOCUMENTS**

D303,575 S *	9/1989	Steer	.....	D24/118
4,988,343 A *	1/1991	Ballan	.....	A61F 5/4407 383/66
D354,560 S *	1/1995	Chase	.....	D24/118
D379,654 S *	6/1997	Holtermann	.....	A61F 5/4407 D24/118



(56)

References Cited

U.S. PATENT DOCUMENTS

D691,730 S *	10/2013	Smith	.....	D24/189	D898,193 S *	10/2020	Ierulli	.....	D24/135
D699,343 S	2/2014	Clements et al.			D898,924 S *	10/2020	Hinds	.....	D24/189
8,740,832 B2 *	6/2014	Smith	.....	A61F 5/445 604/8	10,813,743 B2 *	10/2020	Spiegel	.....	A61L 27/362
D729,071 S *	5/2015	Bradley	.....	D9/705	D901,676 S *	11/2020	Johnson	.....	D24/112
D737,453 S *	8/2015	Gergely	.....	D24/189	D901,698 S *	11/2020	Dyer	.....	D24/189
D738,221 S *	9/2015	White	.....	D9/707	D907,219 S *	1/2021	Neri	.....	D24/189
D746,978 S *	1/2016	Lohse	.....	D24/118	D909,572 S *	2/2021	Knoedler	.....	D24/118
D751,190 S *	3/2016	Ueda	.....	D24/118	D910,838 S *	2/2021	Zhang	.....	D24/118
D753,820 S *	4/2016	Lohse	.....	D24/118	2003/0236509 A1 *	12/2003	Silvestrini	.....	A61F 5/441 604/332
D754,848 S *	4/2016	Masters	.....	D24/118	2004/0106908 A1 *	6/2004	Leise, Jr.	.....	A61F 5/448 604/332
D766,448 S *	9/2016	Gergely	.....	D24/189	2018/0064572 A1	3/2018	Wiltshire		
D778,435 S	2/2017	Grogan			2020/0246174 A1 *	8/2020	Hansen	.....	A61F 5/443
D785,189 S	4/2017	Dettmar			2020/0276044 A1 *	9/2020	Tretheway	.....	A61F 5/445
9,629,743 B2	4/2017	Grum-Schwensen			2020/0289308 A1 *	9/2020	Tretheway	.....	A61F 5/448
D796,029 S *	8/2017	Hanuka	.....	D24/118	2020/0330260 A1 *	10/2020	Hansen	.....	A61F 5/445
9,750,633 B1 *	9/2017	Follenius	.....	A61F 5/443	2021/0085510 A1 *	3/2021	Langhorn	.....	A61F 5/445 D24/118
D845,147 S	4/2019	Takano et al.			2021/0100679 A1 *	4/2021	Hoggarth	.....	A61L 27/362 D24/118
D862,691 S *	10/2019	Fenton	.....	D24/118					
D895,812 S *	9/2020	Spiegel	.....	D24/189					

\* cited by examiner

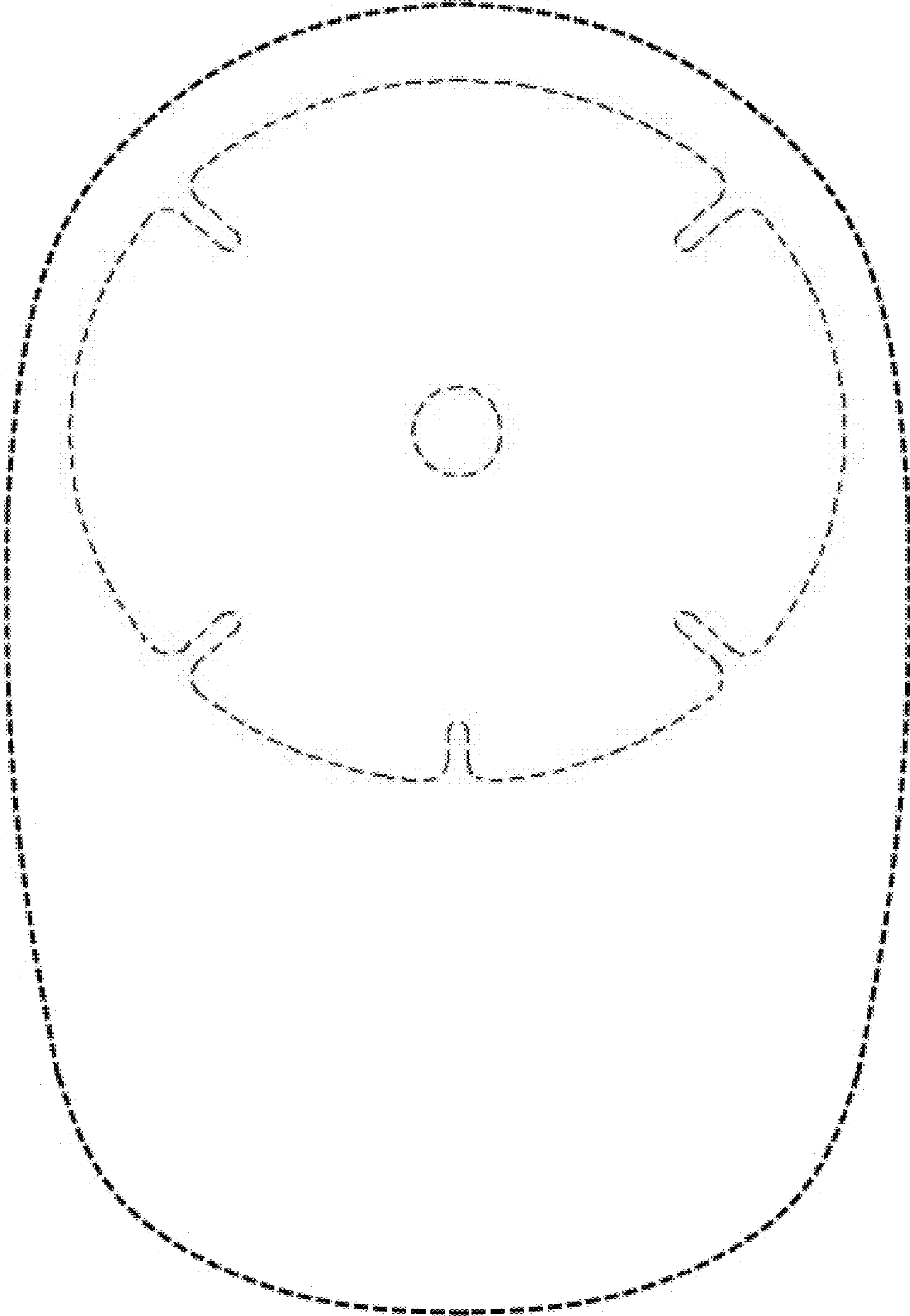


FIG. 1

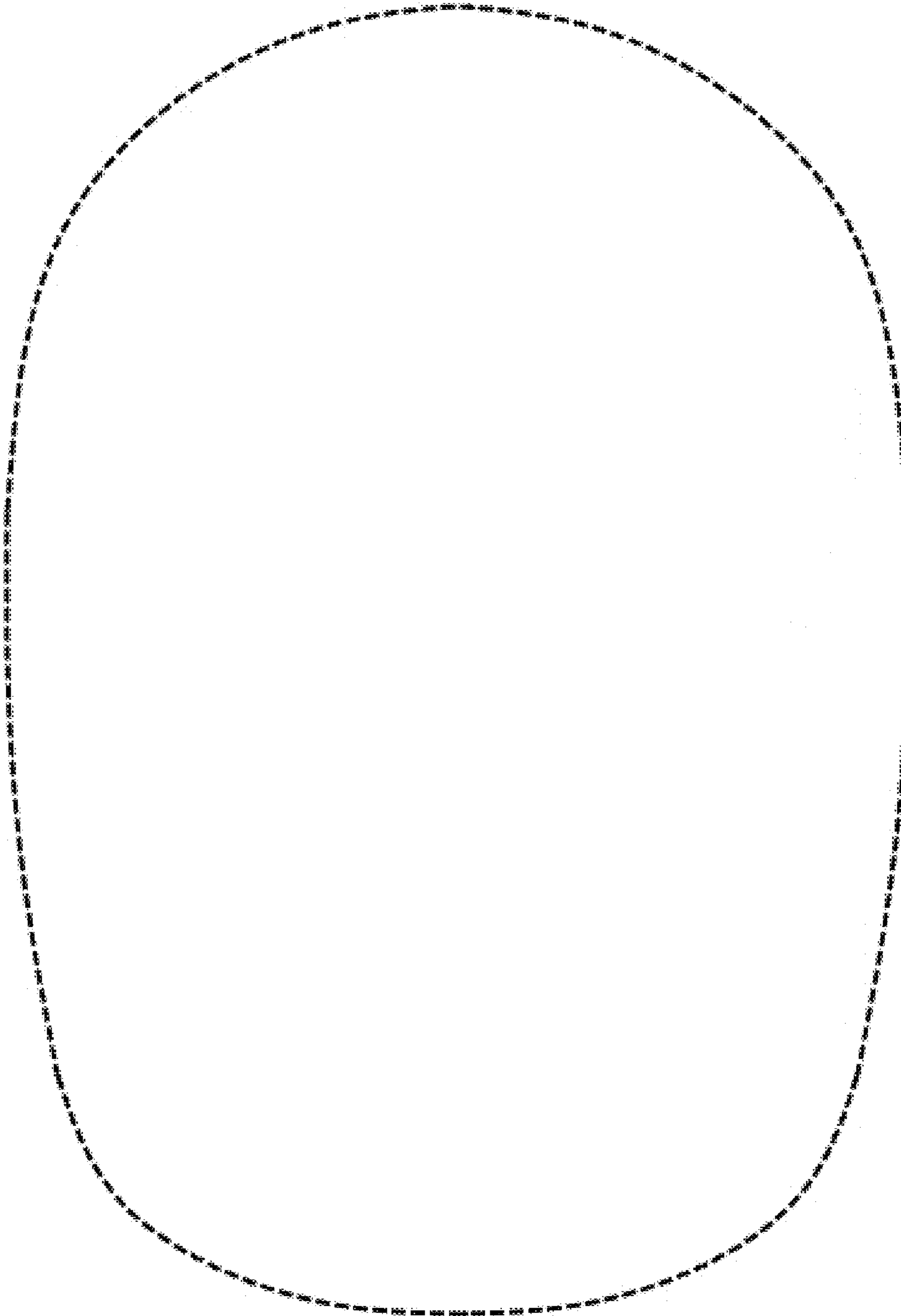


FIG. 2