



US00D946141S

(12) **United States Design Patent** (10) **Patent No.:** **US D946,141 S**
Krulevitch et al. (45) **Date of Patent:** **** Mar. 15, 2022**

(54) **AUTOINJECTOR**

- (71) Applicant: **Janssen Pharmaceuticals, Inc.**, Titusville, NJ (US)
- (72) Inventors: **Peter Krulevitch**, Pleasanton, CA (US); **Michael Cannamela**, Atlantic Highlands, NJ (US); **Yuji Ikeda**, New Providence, NJ (US); **Nick Foley**, Edinburgh (GB); **James McLusky**, Edinburgh (GB); **Jimmy Mower**, Edinburgh (GB); **Scott Martin**, Edinburgh (GB); **James Glencross**, Edinburgh (GB)
- (73) Assignee: **Janssen Pharmaceuticals, Inc.**, Titusville, NJ (US)
- (**) Term: **15 Years**
- (21) Appl. No.: **29/683,729**
- (22) Filed: **Mar. 15, 2019**

(30) **Foreign Application Priority Data**

Sep. 20, 2018 (GB) 6044226
 Sep. 20, 2018 (GB) 6044227

(51) **LOC (13) Cl.** **24-02**

(52) **U.S. Cl.**
USPC **D24/113**

(58) **Field of Classification Search**

USPC D24/112-114, 108, 133, 130, 127, 186;
 606/181, 185; 604/264, 272, 187, 181,
 604/184, 227

(Continued)

(56) **References Cited**

U.S. PATENT DOCUMENTS

8,021,335 B2 * 9/2011 Lesch, Jr. A61M 5/28
 604/135

D697,205 S * 1/2014 Schneider D24/113
 (Continued)

FOREIGN PATENT DOCUMENTS

EP 3187216 7/2017
 WO WO 98/55168 12/1998

(Continued)

OTHER PUBLICATIONS

International Search Report dated Sep. 18, 2020; International Application No. PCT/IB2020/057115.

Primary Examiner — David G Muller

(74) *Attorney, Agent, or Firm* — Steven J. Schwarz

(57) **CLAIM**

The ornamental design for an autoinjector, as shown and described.

DESCRIPTION

FIG. 1 is a front perspective view from above of an autoinjector showing a first embodiment of our new design; FIG. 2 is a rear perspective view from below of the autoinjector of FIG. 1;

FIG. 3 is a right side elevation view of FIG. 1, the left side elevation view corresponds;

FIG. 4 is a top plan view of FIG. 1;

FIG. 5 is a bottom plan view of FIG. 1;

FIG. 6 is a front elevation view of FIG. 1;

FIG. 7 is a rear elevation view of FIG. 1;

FIG. 8 is a front perspective view from above of an autoinjector showing a second embodiment of our new design;

FIG. 9 is a rear perspective view from below of the autoinjector of FIG. 8 thereof;

FIG. 10 is a right side elevational view of FIG. 8, the left side elevational view corresponds thereof;

FIG. 11 is a top plan view of FIG. 8 thereof;

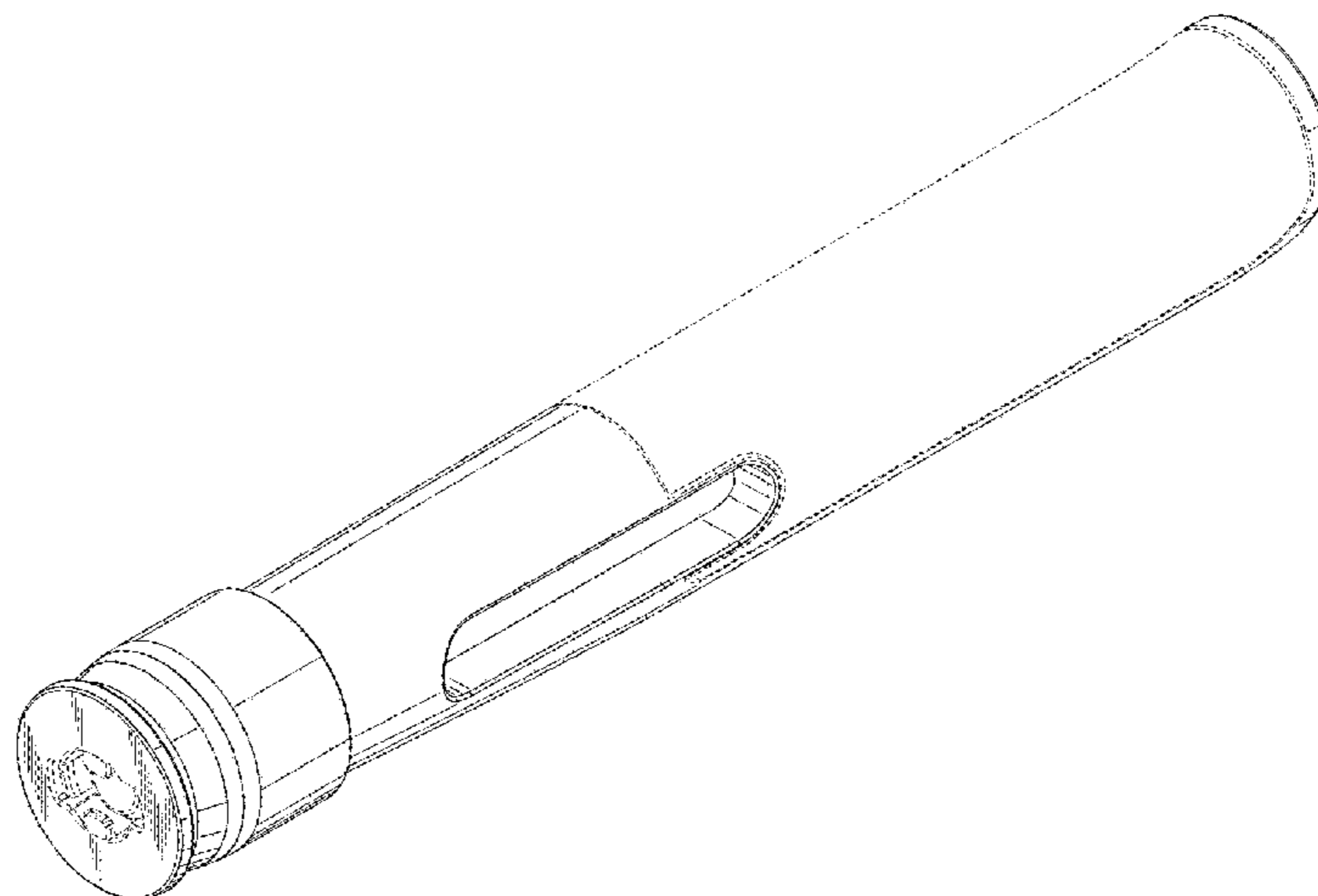
FIG. 12 is a bottom plan view of FIG. 8 thereof;

FIG. 13 is a front elevational view of FIG. 8 thereof; and,

FIG. 14 is a rear elevational view of FIG. 8 thereof.

The portions shown in broken lines are unclaimed environment, and form no part of the claimed design.

1 Claim, 6 Drawing Sheets



(58) **Field of Classification Search**

CPC A61M 5/178; A61M 3/00; A61M 5/20;
A61M 5/31; A61M 5/3146; A61M
5/3129; A61M 5/3148

See application file for complete search history.

(56) **References Cited**

U.S. PATENT DOCUMENTS

D758,567 S * 6/2016 Wohlfahrt D24/113
D758,568 S * 6/2016 Wohlfahrt D24/113
D758,569 S * 6/2016 Wohlfahrt D24/113
D810,281 S * 2/2018 Holmqvist A61M 5/20
D24/112
D814,022 S * 3/2018 Boyaval D24/113
D819,198 S * 5/2018 Boyaval D24/113
D819,200 S * 5/2018 Stonecipher D24/114
D827,127 S * 8/2018 Donnelly D24/113
D830,538 S * 10/2018 Guillermo D24/112
D861,859 S * 10/2019 Rapp D24/113
D866,757 S * 11/2019 Diluzio D24/133
2021/0030967 A1 2/2021 Krulevitch et al.

FOREIGN PATENT DOCUMENTS

WO WO 2014/144096 9/2014
WO WO 2014/164943 10/2014
WO WO 2018/094036 5/2018
WO WO 2021/019443 2/2021

* cited by examiner

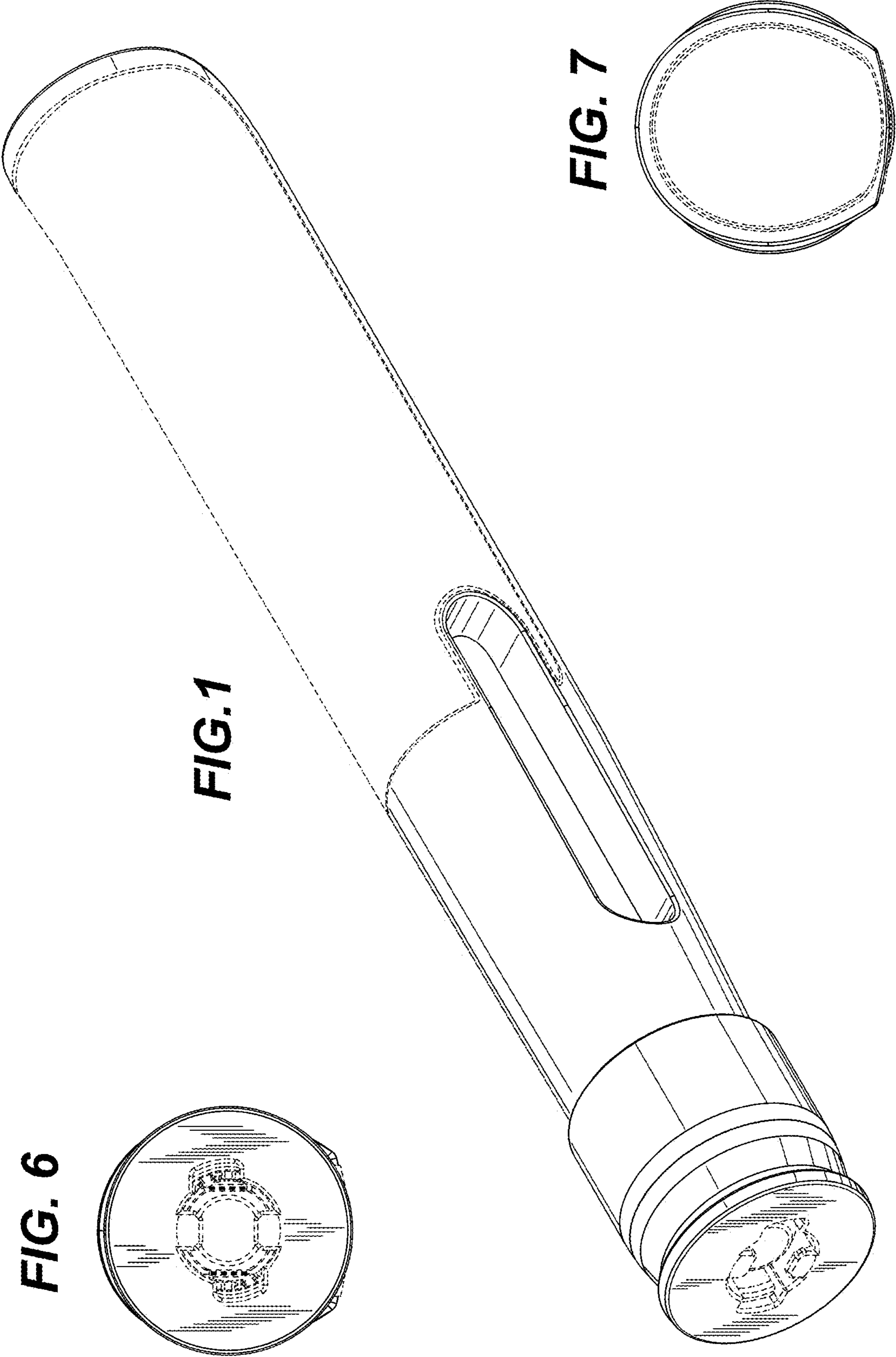


FIG. 6

FIG. 1

FIG. 7

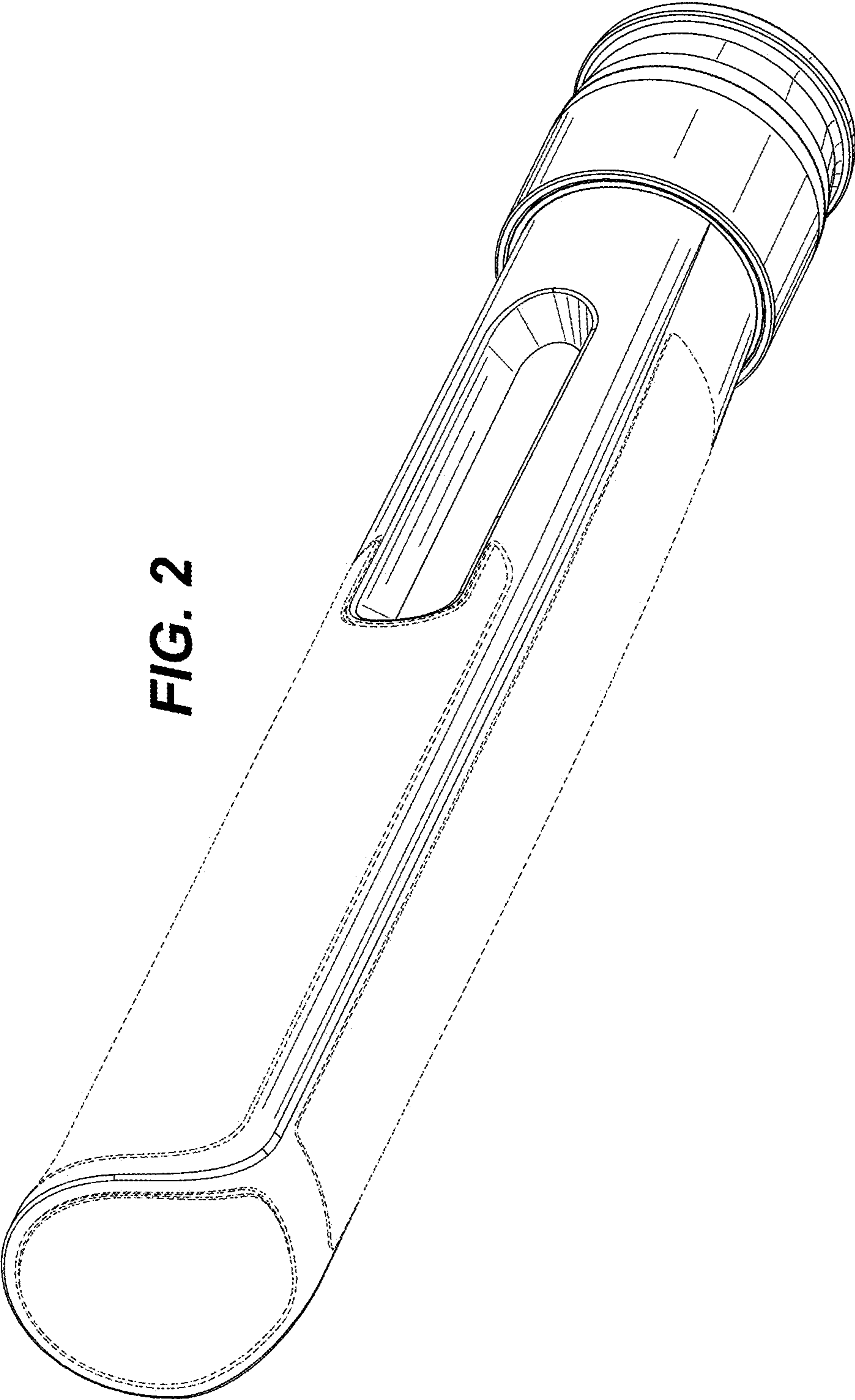


FIG. 2

FIG. 3

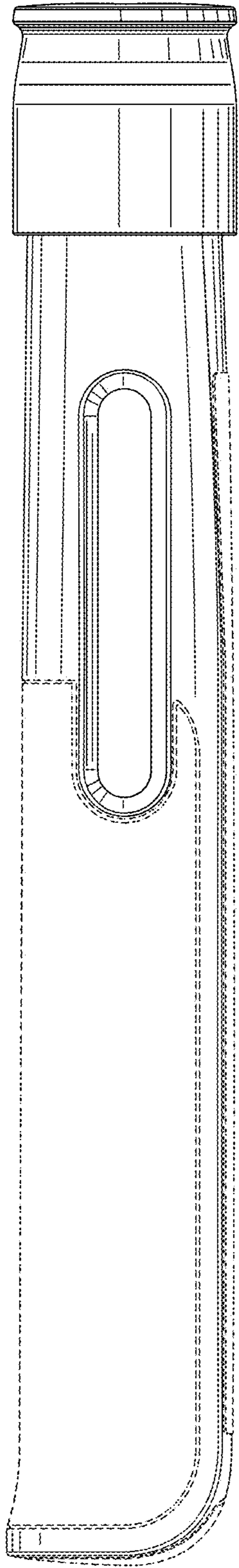


FIG. 4

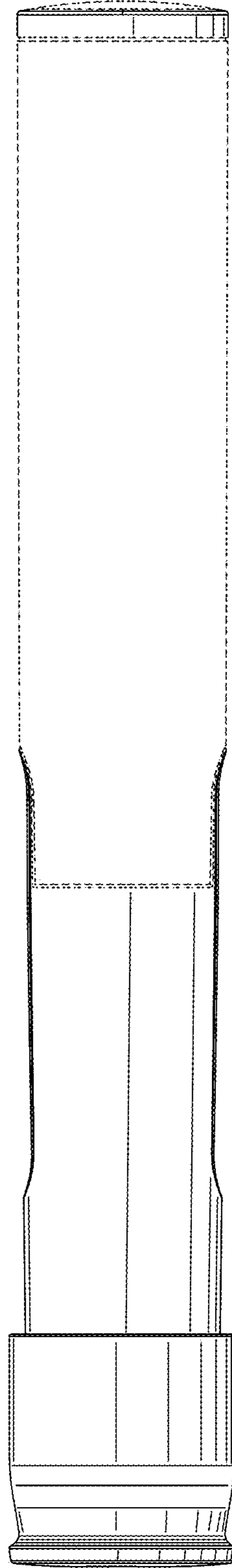
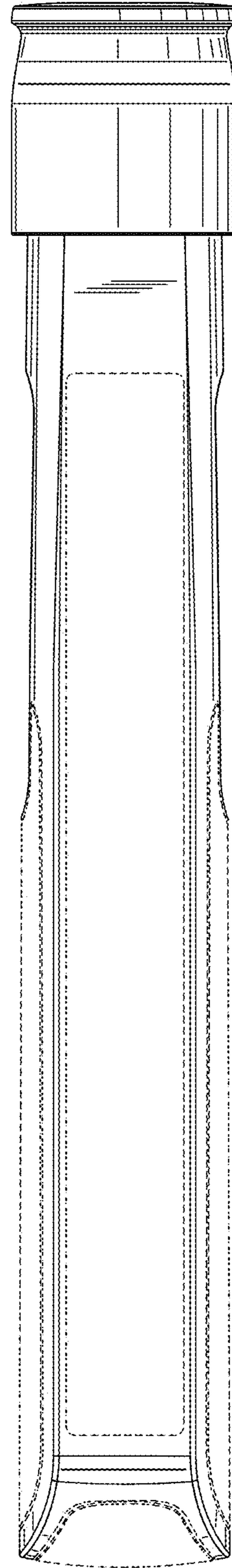
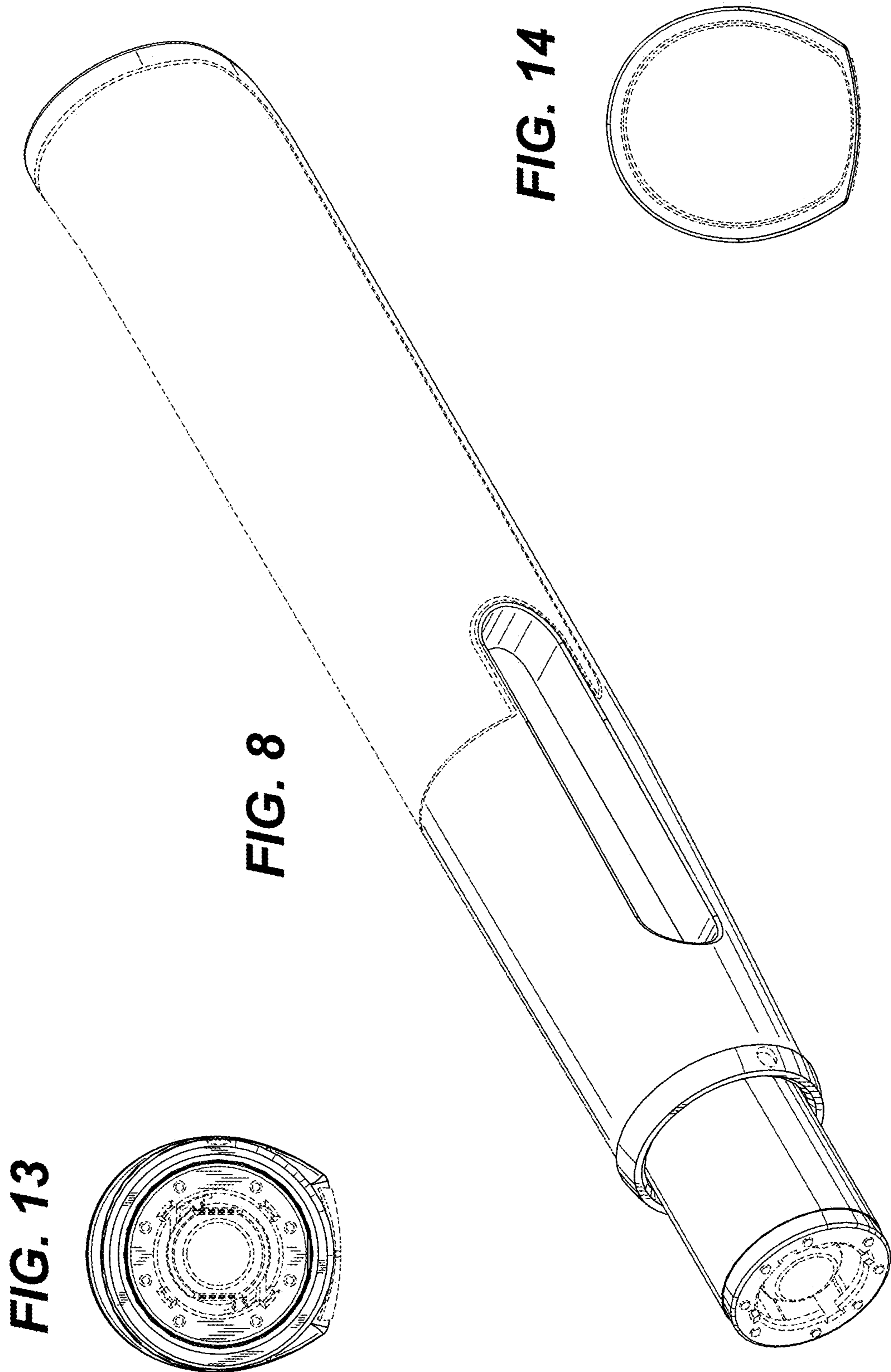


FIG. 5





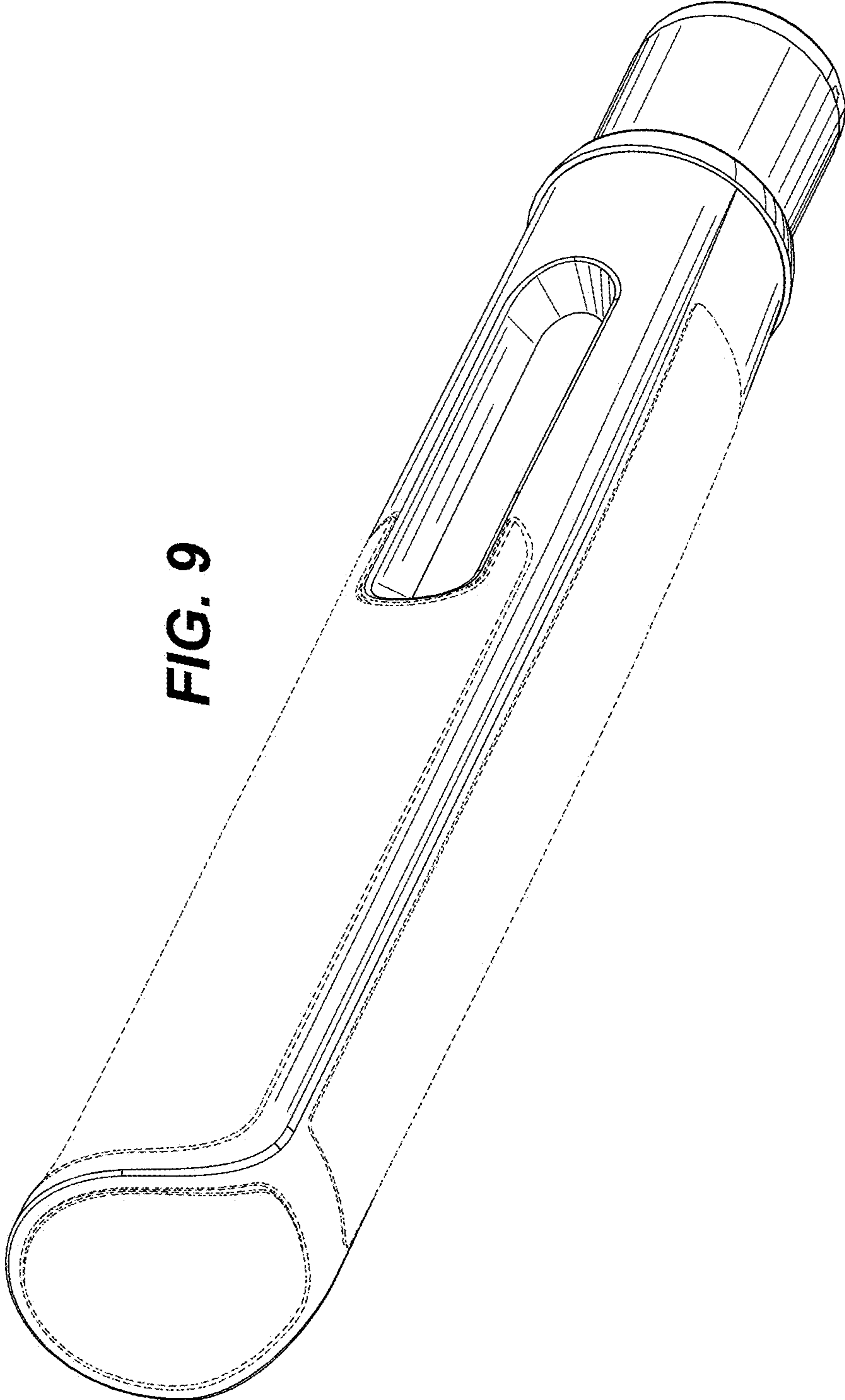


FIG. 9

FIG. 10

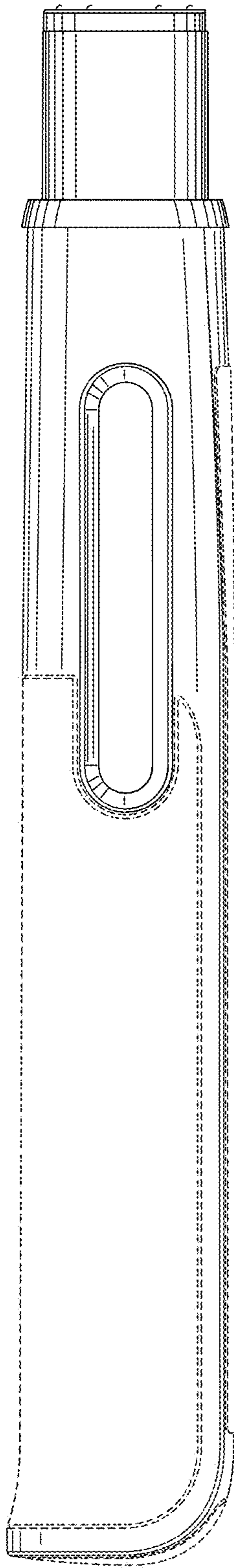


FIG. 11

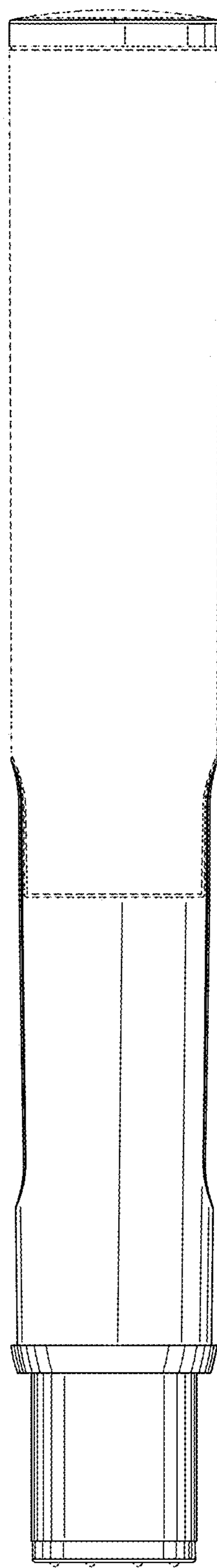


FIG. 12

