



US00D946138S

(12) **United States Design Patent**
Markey et al.

(10) **Patent No.:** **US D946,138 S**
(45) **Date of Patent:** **** Mar. 15, 2022**

(54) **MODULAR INHALER ADHERENCE MONITOR**

(71) Applicant: **Reciprocal Labs Corporation**,
Madison, WI (US)

(72) Inventors: **Amber Michelle Markey**, Madison, WI (US); **Samuel A. Koblenki**, Madison, WI (US); **Robert Louis Baddeley**, Madison, WI (US); **Gregory Frederick Tracy**, Madison, WI (US)

(73) Assignee: **Reciprocal Labs Corporation**,
Madison, WI (US)

(**) Term: **15 Years**

(21) Appl. No.: **29/700,219**

(22) Filed: **Jul. 31, 2019**

(51) **LOC (13) Cl.** **24-04**

(52) **U.S. Cl.**
USPC **D24/110**

(58) **Field of Classification Search**
USPC D24/107, 108, 110, 110.5, 112, 127, 164
CPC A61M 15/009; A61M 15/06; A61M 15/0065; A61M 15/0025; A61M 15/0026; A61M 15/00; A61M 2202/064
See application file for complete search history.

(56) **References Cited**

U.S. PATENT DOCUMENTS

D798,438 S * 9/2017 Engelhard D24/110
D831,191 S * 10/2018 Hubanks D24/110
(Continued)

FOREIGN PATENT DOCUMENTS

WO 2015109259 A1 7/2015
WO 2016033421 A1 3/2016
(Continued)

OTHER PUBLICATIONS

JP Application No. 2020-001855, Certificate of Design Registration No. JP1671307 issued Oct. 12, 2020.
(Continued)

Primary Examiner — Sheryl Lane
Assistant Examiner — Aula Soroush
(74) *Attorney, Agent, or Firm* — Nixon Peabody LLP

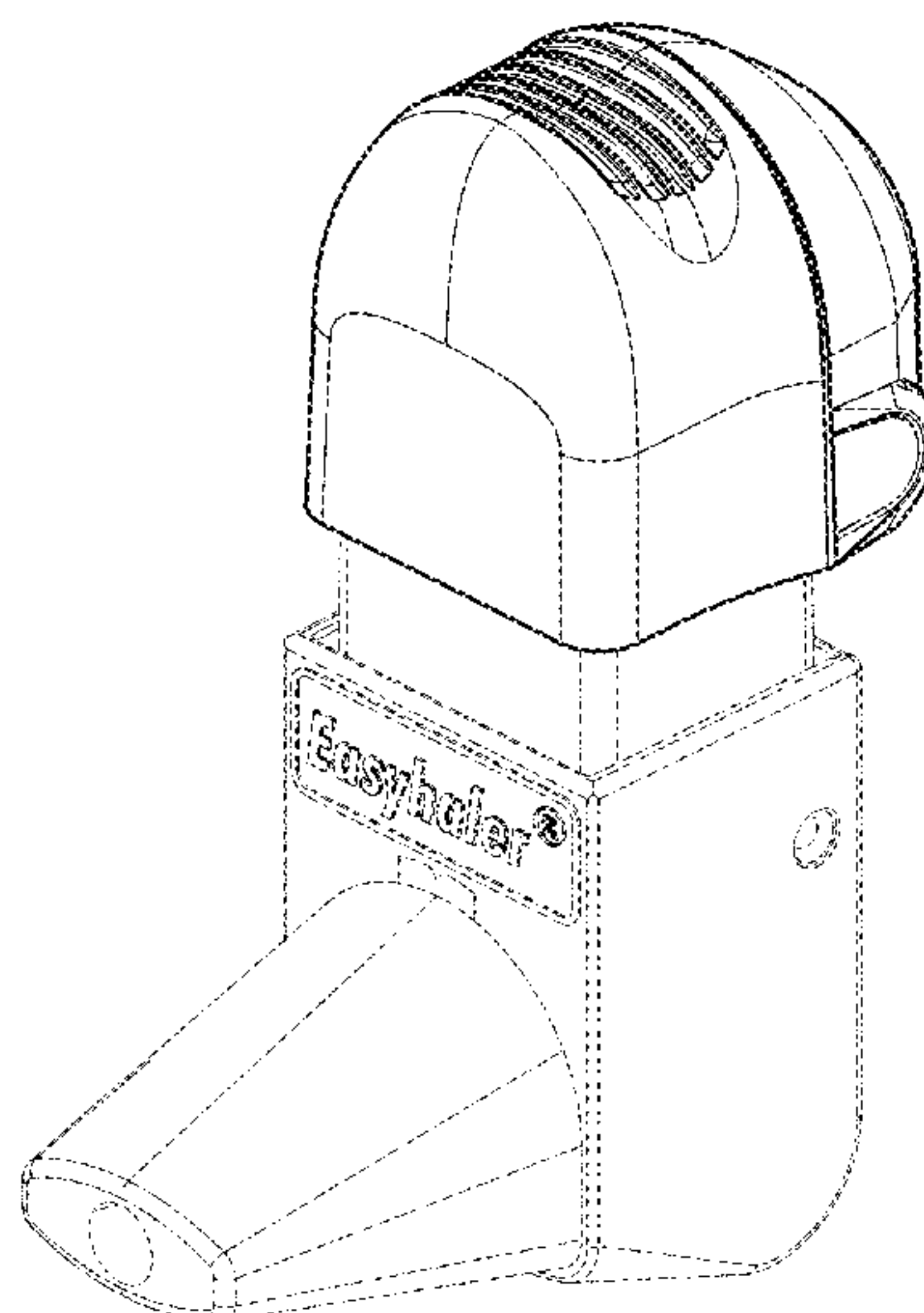
(57) **CLAIM**

The ornamental design for a modular inhaler adherence monitor, as shown and described.

DESCRIPTION

FIG. 1 is a side perspective view of a modular inhaler adherence monitor or portion thereof;
FIG. 2 is a back perspective view of a modular inhaler adherence monitor or portion thereof;
FIG. 3 is an opposite back perspective view of the modular inhaler adherence monitor or portion thereof;
FIG. 4 is a front perspective view of the modular inhaler adherence monitor or portion thereof;
FIG. 5 is a top perspective view of the modular inhaler adherence monitor or portion thereof;
FIG. 6 is a left side elevation view of the modular inhaler adherence monitor or portion thereof;
FIG. 7 is an opposite side view of the modular inhaler adherence monitor or portion thereof;
FIG. 8 is front view of the modular inhaler adherence monitor or portion thereof;
FIG. 9 is a back view of the modular inhaler adherence monitor or portion thereof;
FIG. 10 is a top view of the modular inhaler adherence monitor or portion thereof; and,
FIG. 11 is a bottom view of the modular inhaler adherence monitor or portion thereof.
In all of the figures, the broken lines having a short dash pattern show an inhaler or portion thereof, and form no part of the claimed design.

1 Claim, 11 Drawing Sheets



(56)

References Cited

U.S. PATENT DOCUMENTS

D832,997 S * 11/2018 Dethlefs D24/110
D852,947 S * 7/2019 Dethlefs D24/110
D853,555 S * 7/2019 Oliveras D24/110
D863,532 S * 10/2019 Jackson D24/110
2014/0182584 A1 7/2014 Sutherland et al.
2016/0144141 A1 5/2016 Biswas et al.

FOREIGN PATENT DOCUMENTS

WO 2017051389 A1 3/2017
WO 2017141194 A1 8/2017
WO 2019012558 A1 1/2019
WO 2019022620 A1 1/2019
WO 2020047102 A1 3/2020

OTHER PUBLICATIONS

JP Application No. 2020-001856, Certificate of Design Registration
No. JP1671308 issued Oct. 12, 2020.

JP Application No. 2020-001857, Certificate of Design Registration
No. JP1671309 issued Oct. 12, 2020.

EU Design Application No. 007562657-0001 issued Jan. 27, 2020.

EU Design Application No. 007562657-0002 issued Jan. 27, 2020.

EU Design Application No. 007562657-0003 issued Jan. 27, 2020.

EU Notification of registration of the Community designs 007562657-
0001/007562657-0003 dated Feb. 19, 2020.

PCT International Search Report in International Application No.
PCT/US2020/044419, dated Nov. 10, 2020.

PCT International Written Opinion in International Application No.
PCT/US2020/044419, dated Nov. 10, 2020.

* cited by examiner

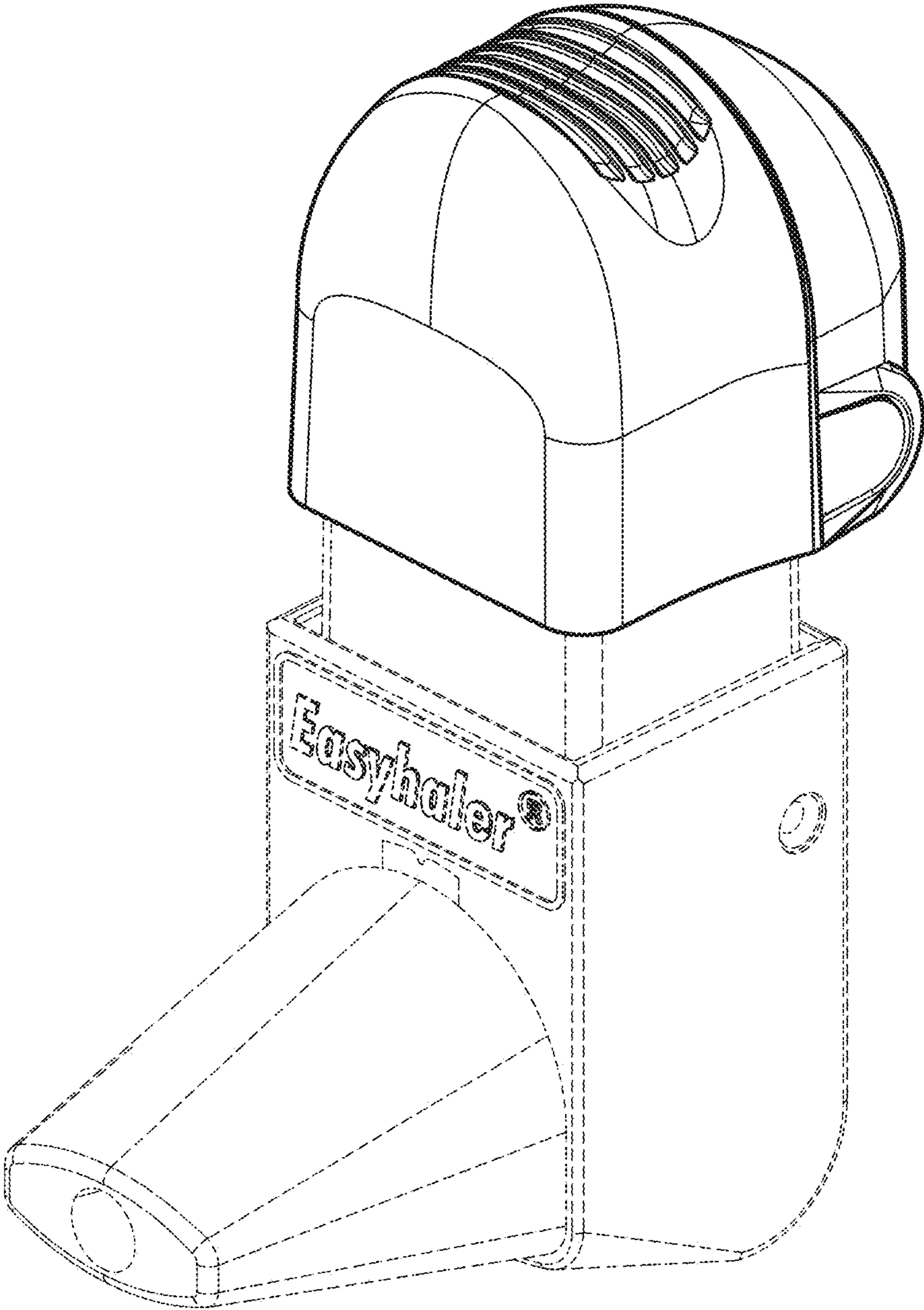


FIG. 1

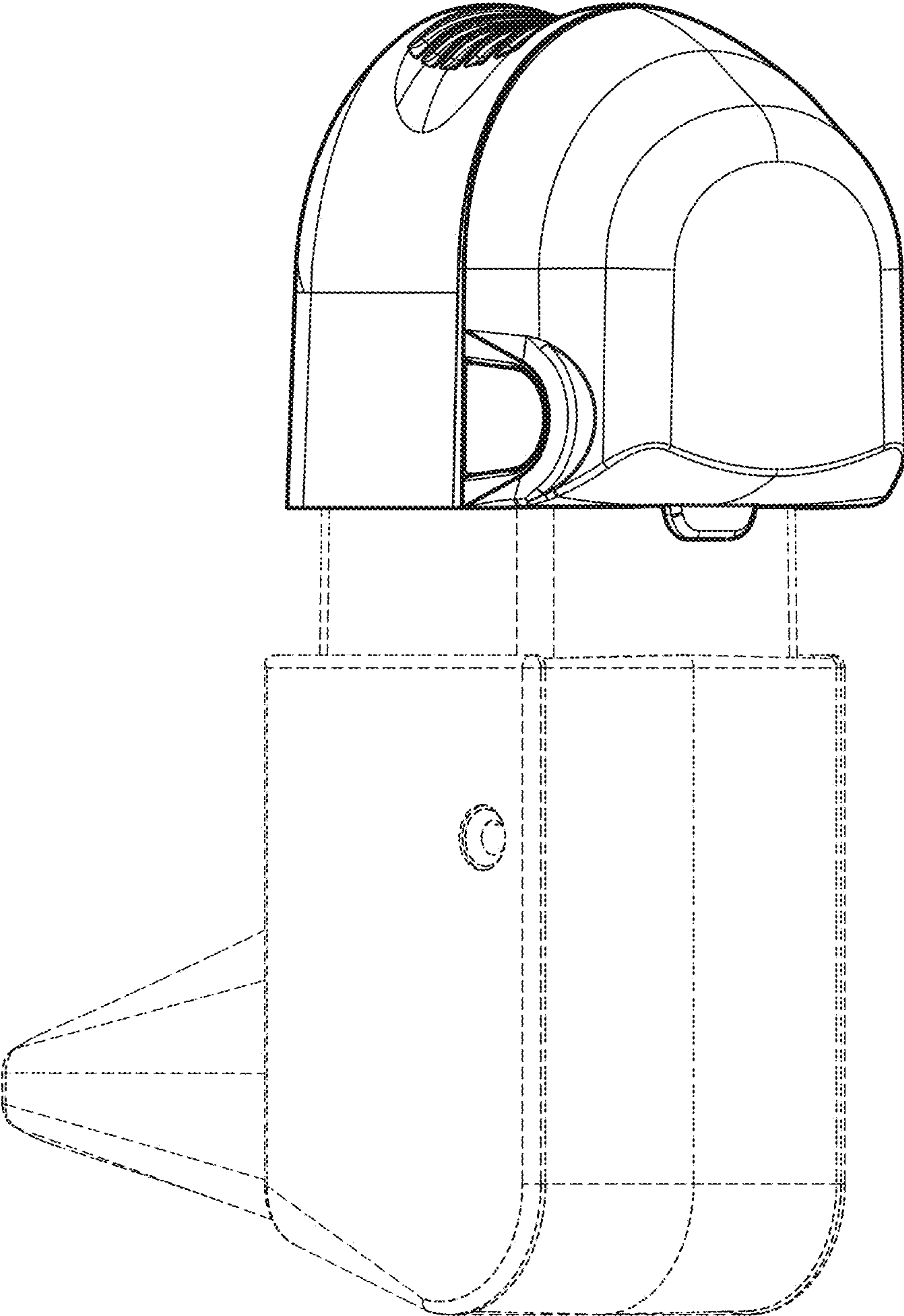


FIG. 2

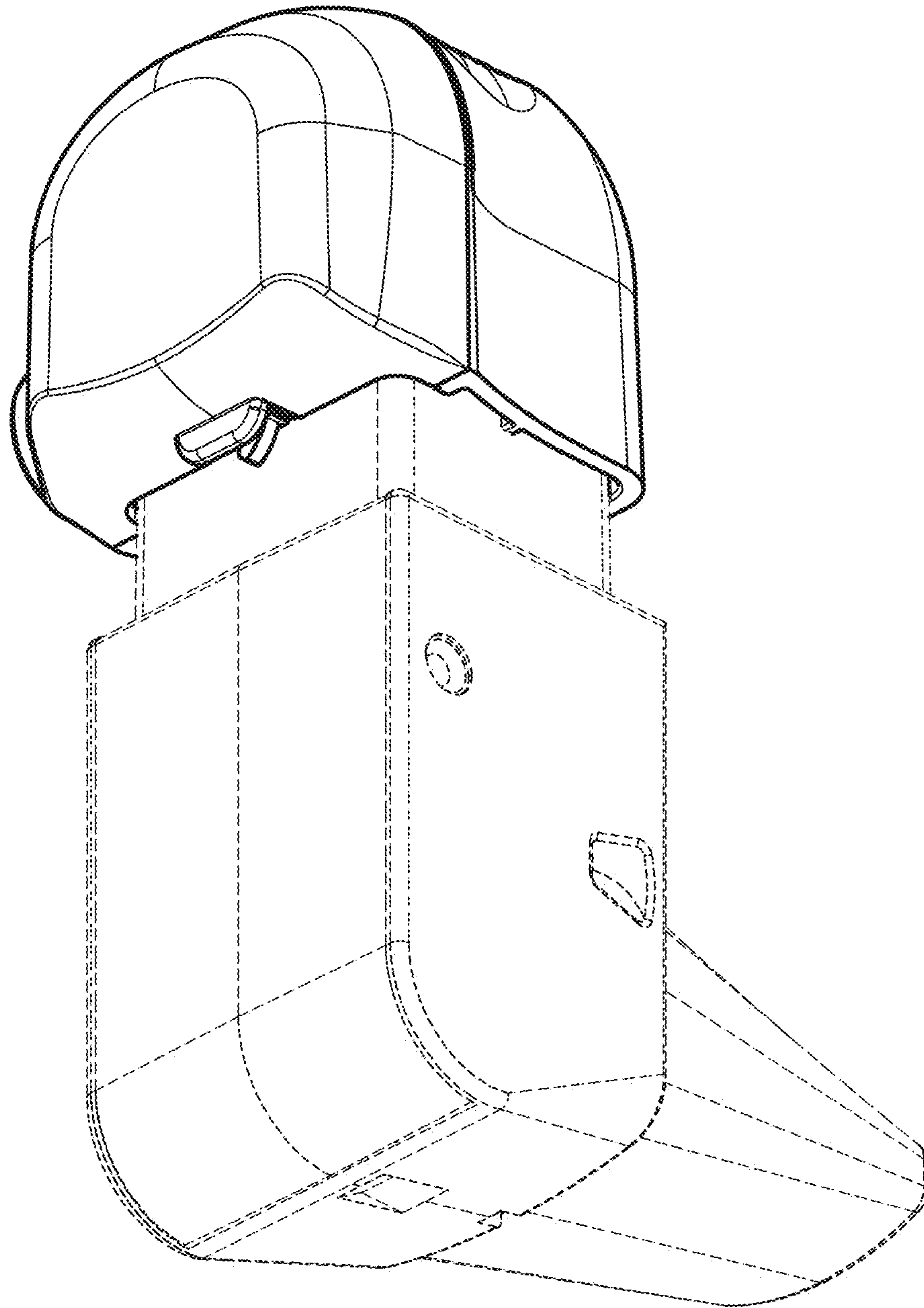


FIG. 3

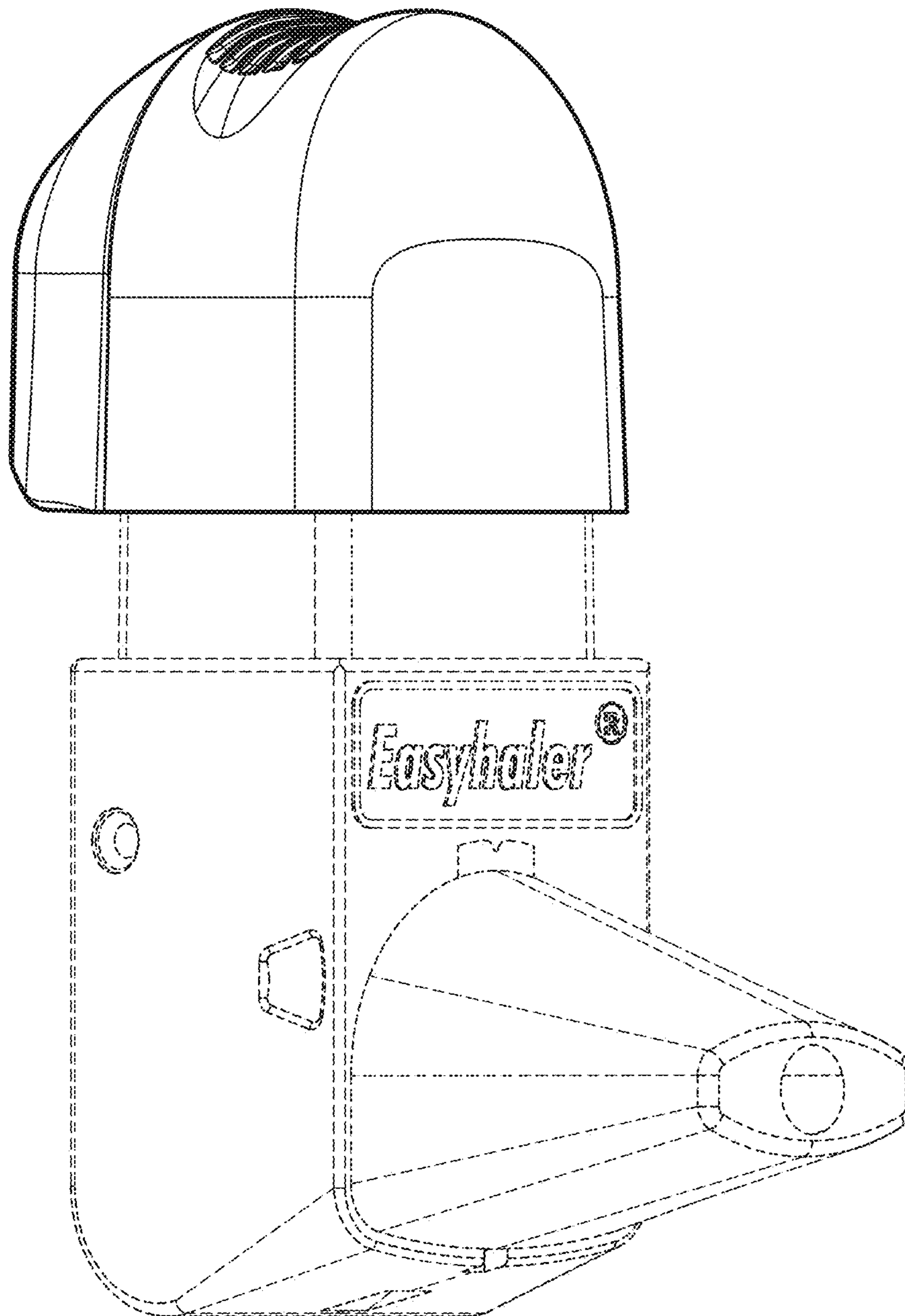


FIG. 4

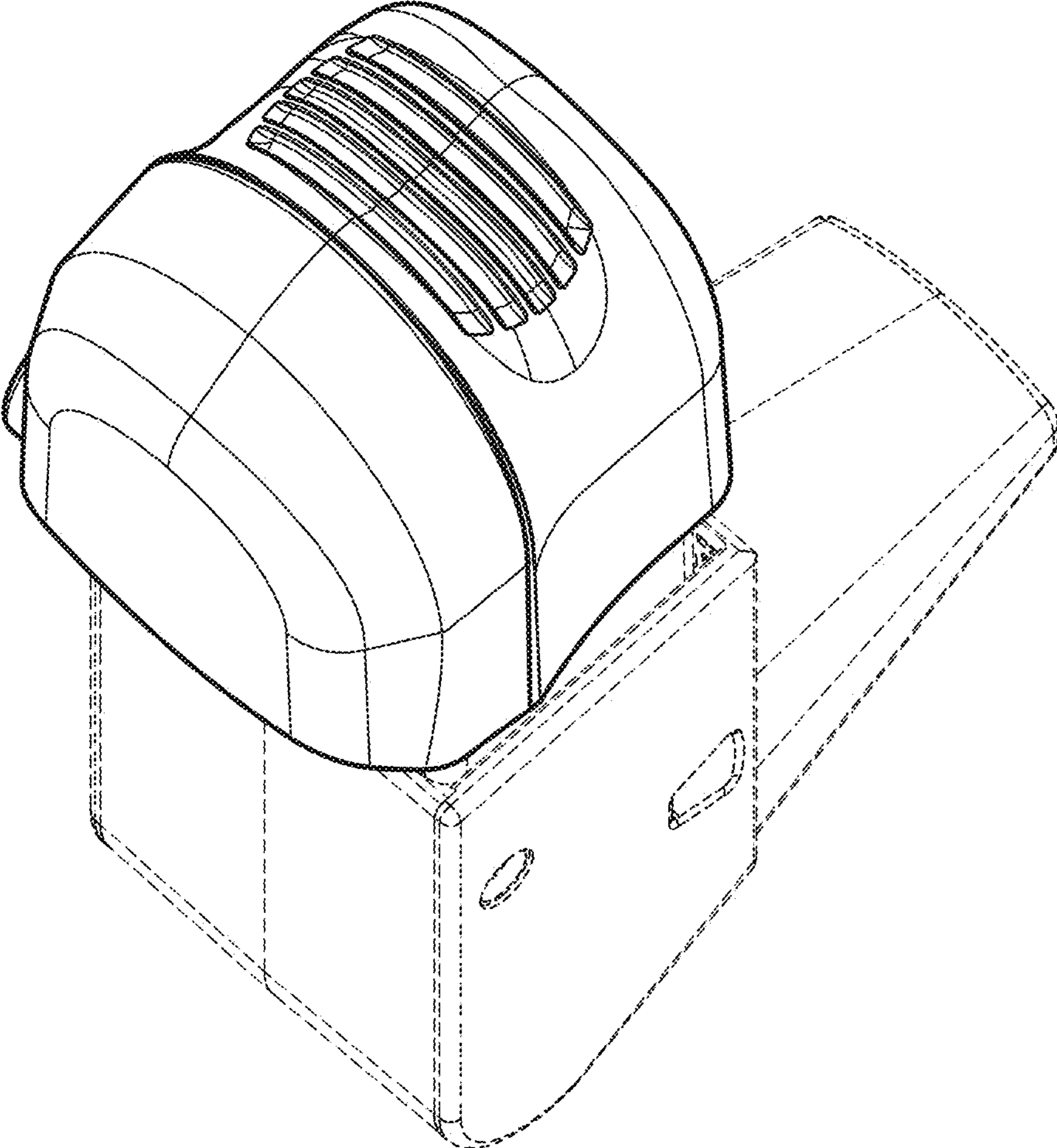


FIG. 5

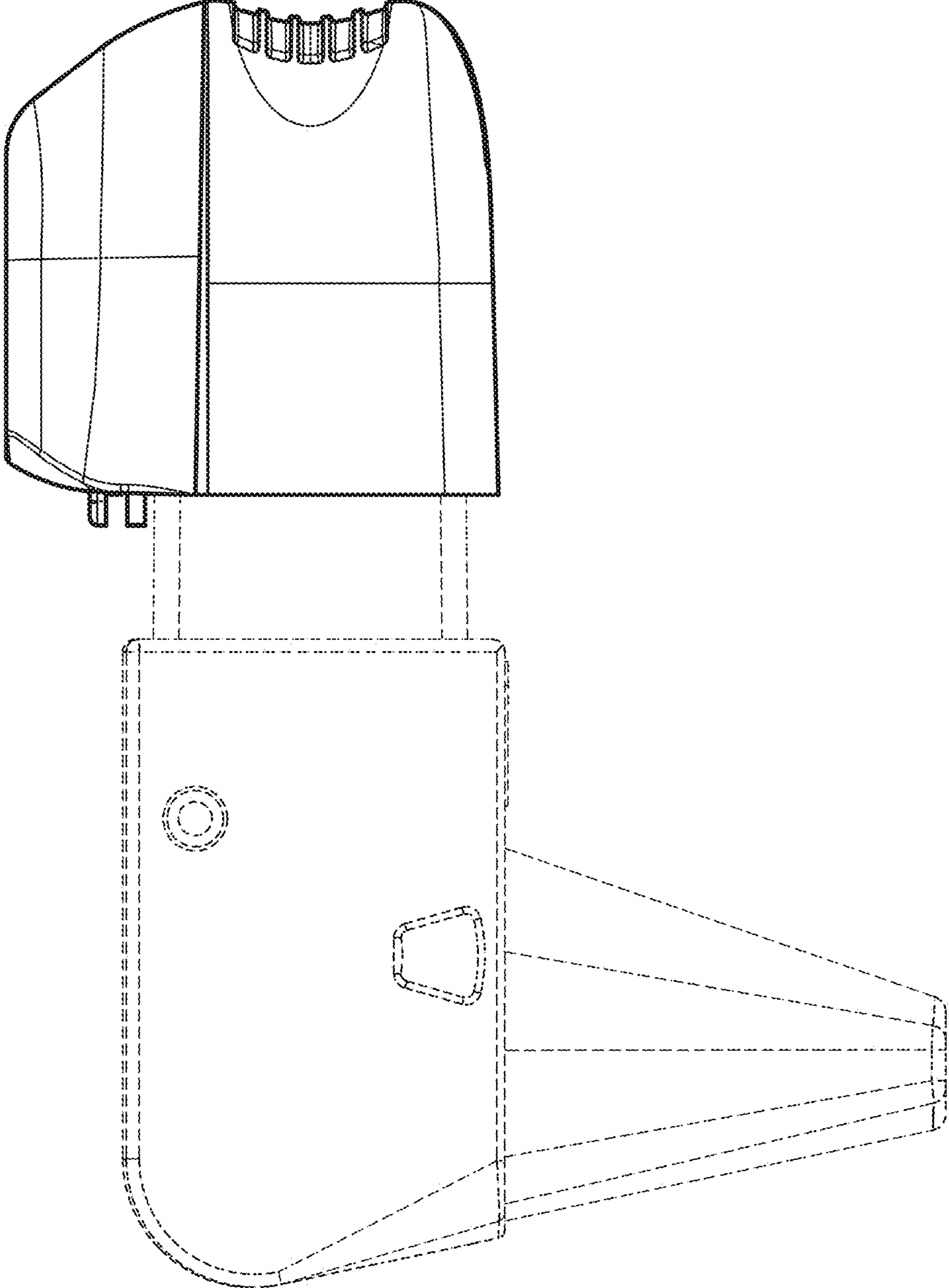


FIG. 6

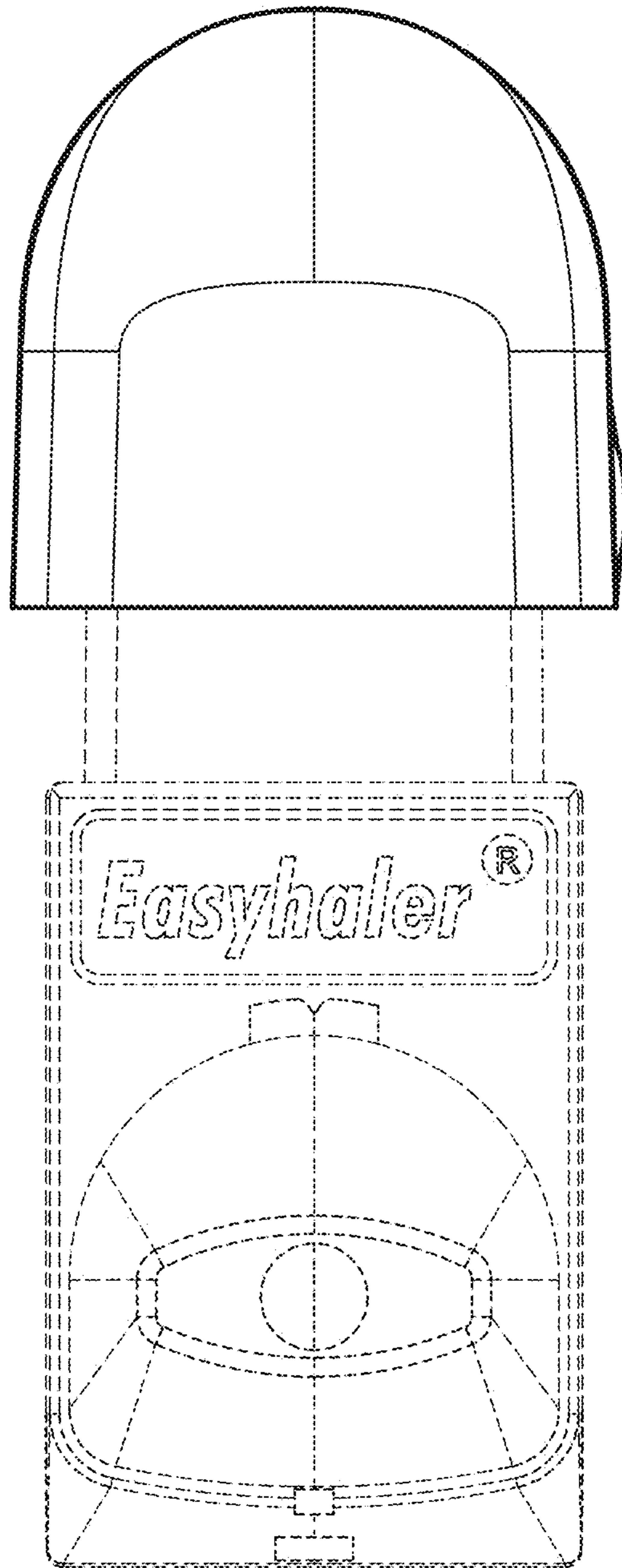


FIG. 7

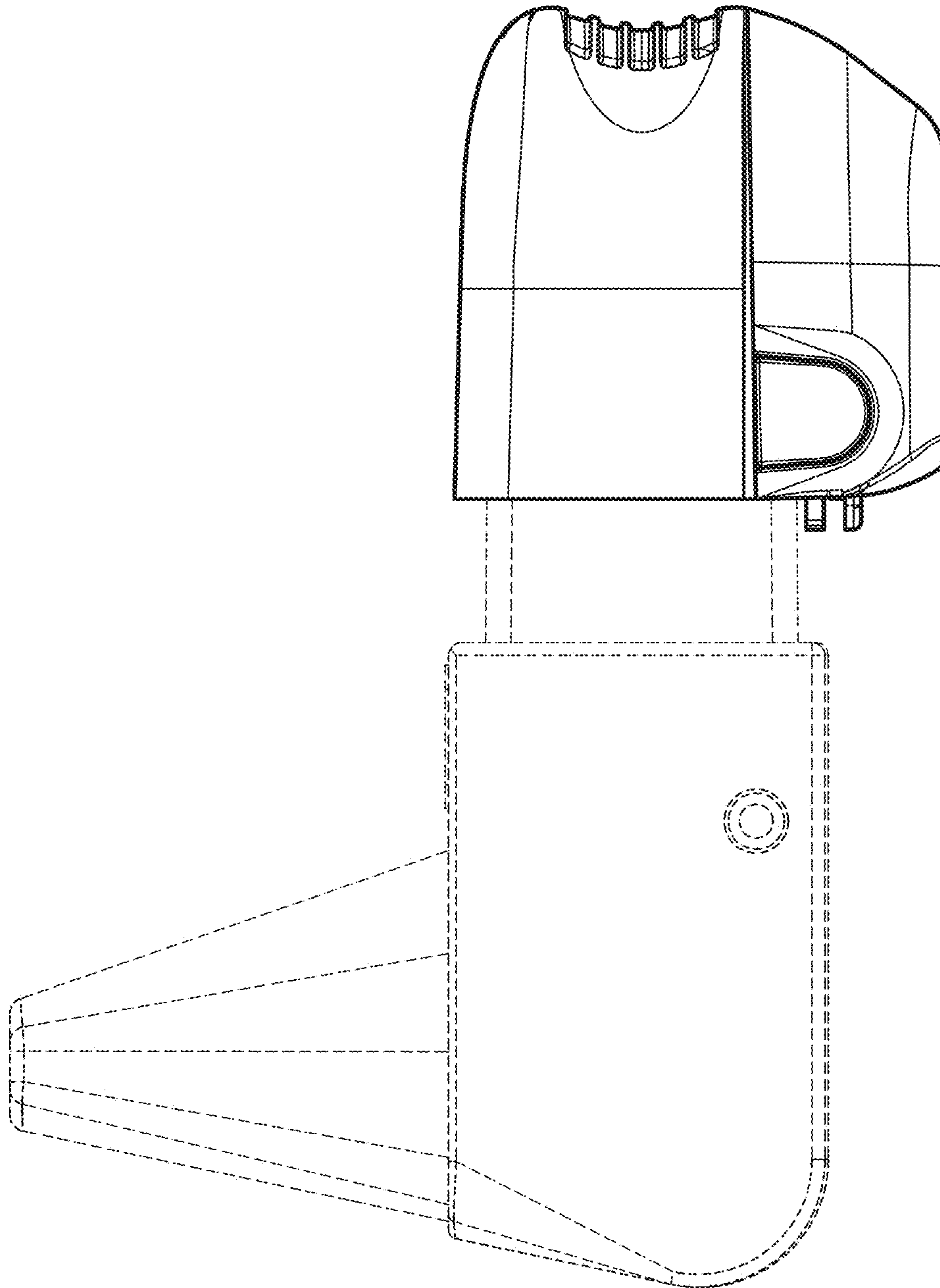


FIG. 8

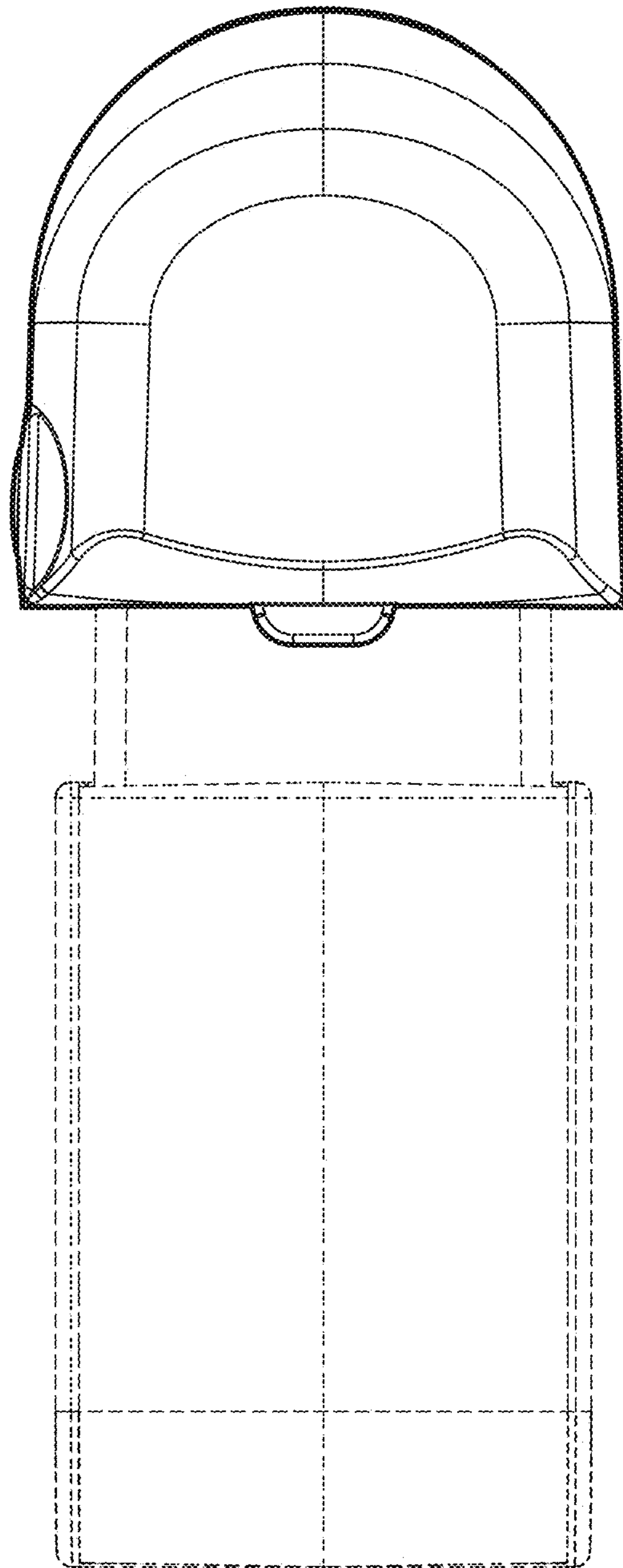


FIG. 9

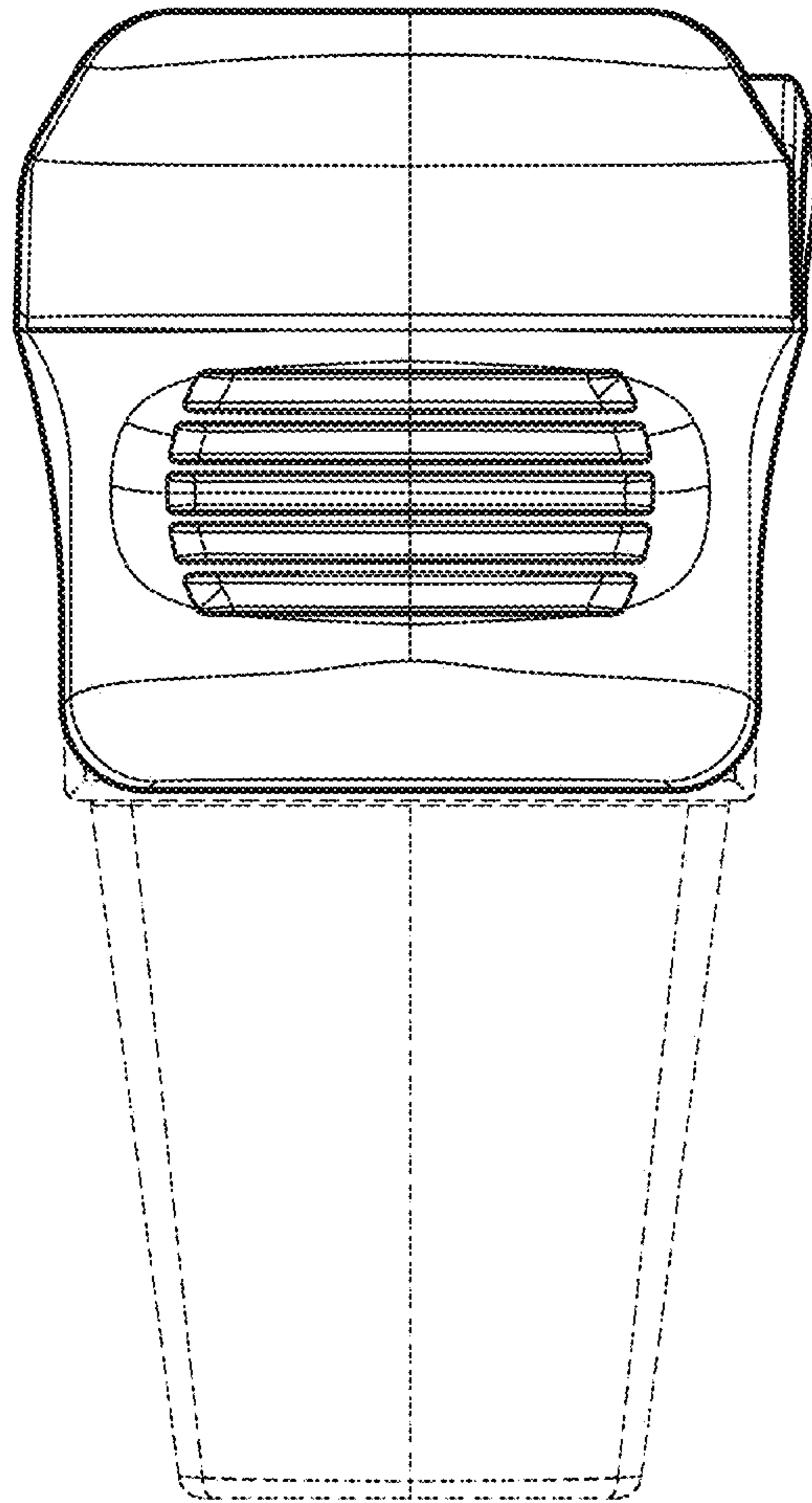


FIG. 10

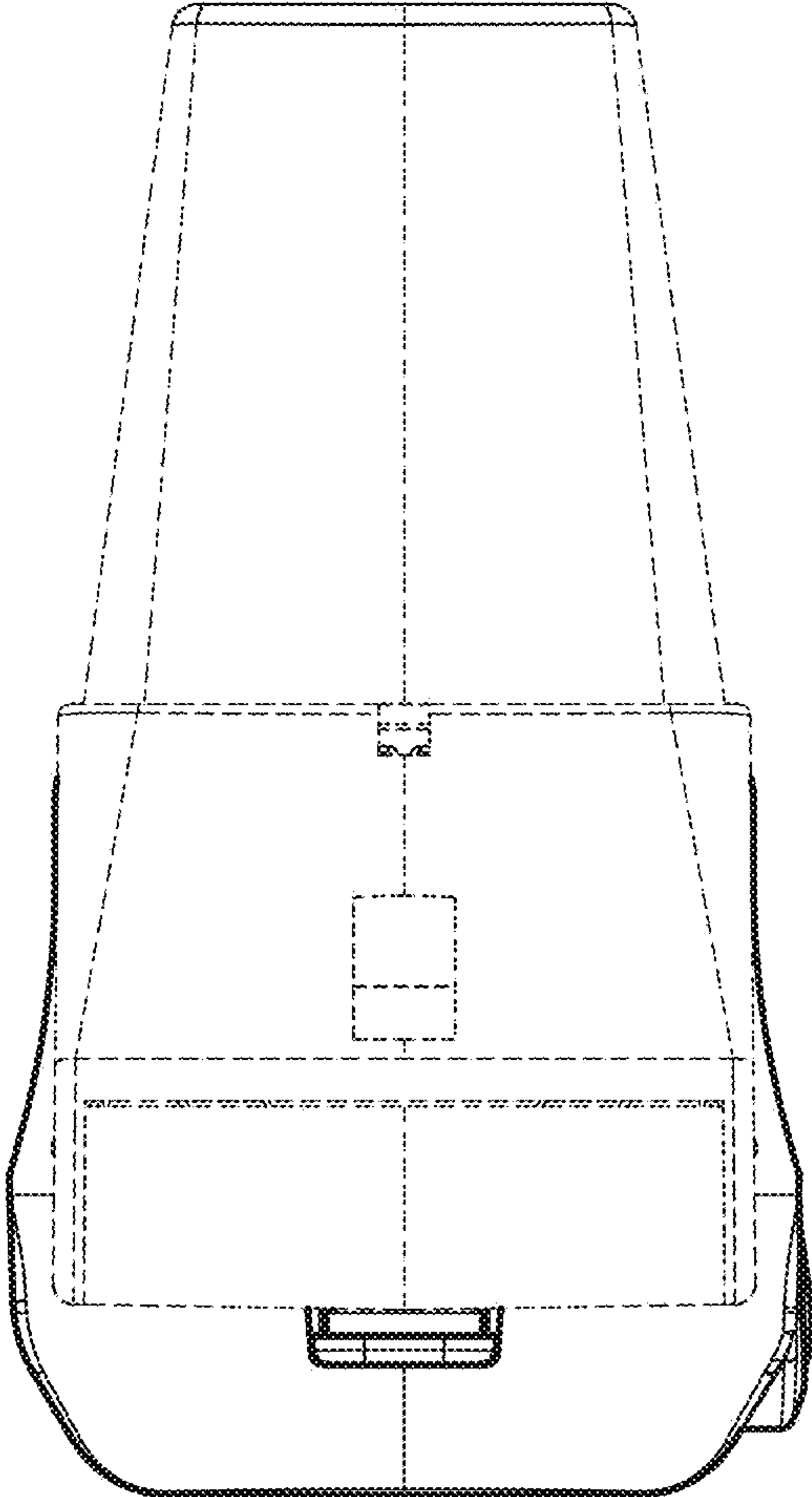


FIG. 11