



US00D946134S

(12) **United States Design Patent**
Eiffert

(10) **Patent No.:** **US D946,134 S**
(45) **Date of Patent:** **** Mar. 15, 2022**

(54) **CEILING FAN**

(71) Applicant: **Hunter Fan Company**, Memphis, TN (US)

(72) Inventor: **Ryan Lee Eiffert**, Memphis, TN (US)

(73) Assignee: **Hunter Fan Company**, Memphis, TN (US)

(**) Term: **15 Years**

(21) Appl. No.: **29/723,689**

(22) Filed: **Feb. 10, 2020**

(51) **LOC (13) Cl.** **23-04**

(52) **U.S. Cl.**
USPC **D23/377**

(58) **Field of Classification Search**
USPC D23/370, 377, 385, 411, 413; D26/59
CPC .. F04D 25/088; F04D 29/005; F04D 29/4226;
F21V 33/0096; F21V 21/03; F21V 21/02;
F21V 3/02

See application file for complete search history.

(56) **References Cited**

U.S. PATENT DOCUMENTS

D393,902 S	4/1998	Pickett	
D475,775 S *	6/2003	Da Costa	D23/377
D515,196 S *	2/2006	Indio da Costa	D23/377
D627,874 S	11/2010	Pan	
D678,997 S	3/2013	Gajewski	
D741,468 S	10/2015	Ertze	
D743,528 S	11/2015	Wang	
D762,296 S *	7/2016	Badarello	D23/377
D772,393 S	11/2016	Wang	
D780,902 S	3/2017	Gajewski	
D799,661 S *	10/2017	Holmes	D23/377
D800,292 S	10/2017	Haggar	
D804,635 S	12/2017	Holmes	
D807,490 S *	1/2018	Ruan	D23/377
D810,917 S *	2/2018	Holmes	D23/377
D818,572 S *	5/2018	Gajewski	D23/377

D826,395 S *	8/2018	McRoberts	D23/411
D828,915 S	9/2018	Haggar	
D855,172 S *	7/2019	Holmes	D23/411
D862,755 S *	10/2019	Haggar	D26/59
D877,314 S *	3/2020	Holmes	D23/411
D879,935 S *	3/2020	Busta	D23/377
D884,144 S *	5/2020	Indio da Costa	D23/377
D890,910 S *	7/2020	Haggar	D23/377

(Continued)

OTHER PUBLICATIONS

<https://www.minkagroup.net/f823-dk.html>, Minka Wing 52" 1-Blade Ceiling Fan in Distressed Koa Finish with Distressed Koa Wing, Model No. F823-DK, accessed Jan. 8, 2019.

(Continued)

Primary Examiner — Janice Hallmark

(74) *Attorney, Agent, or Firm* — McGarry Bair PC

(57) **CLAIM**

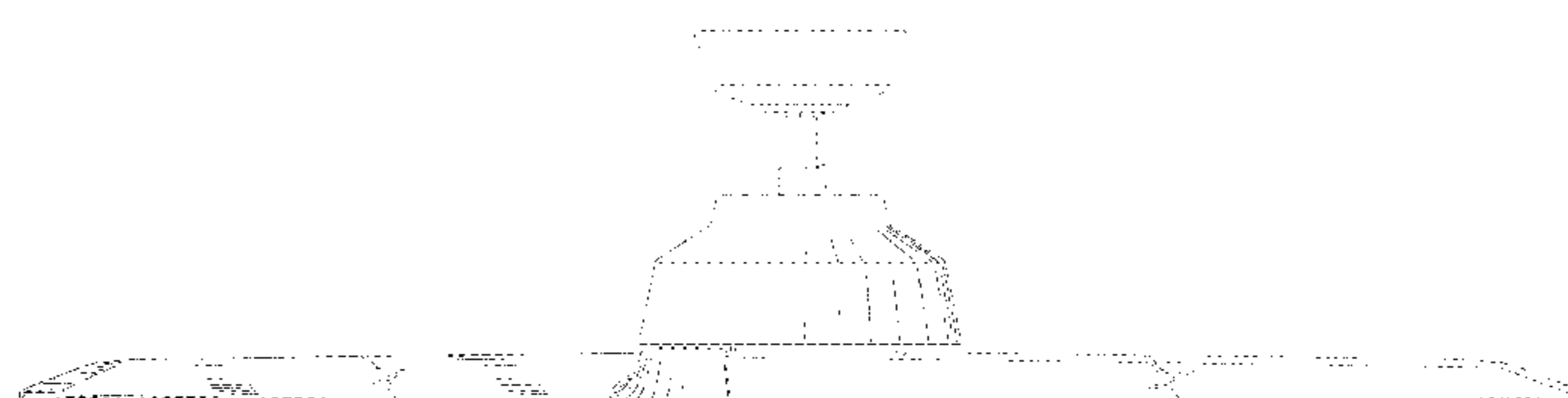
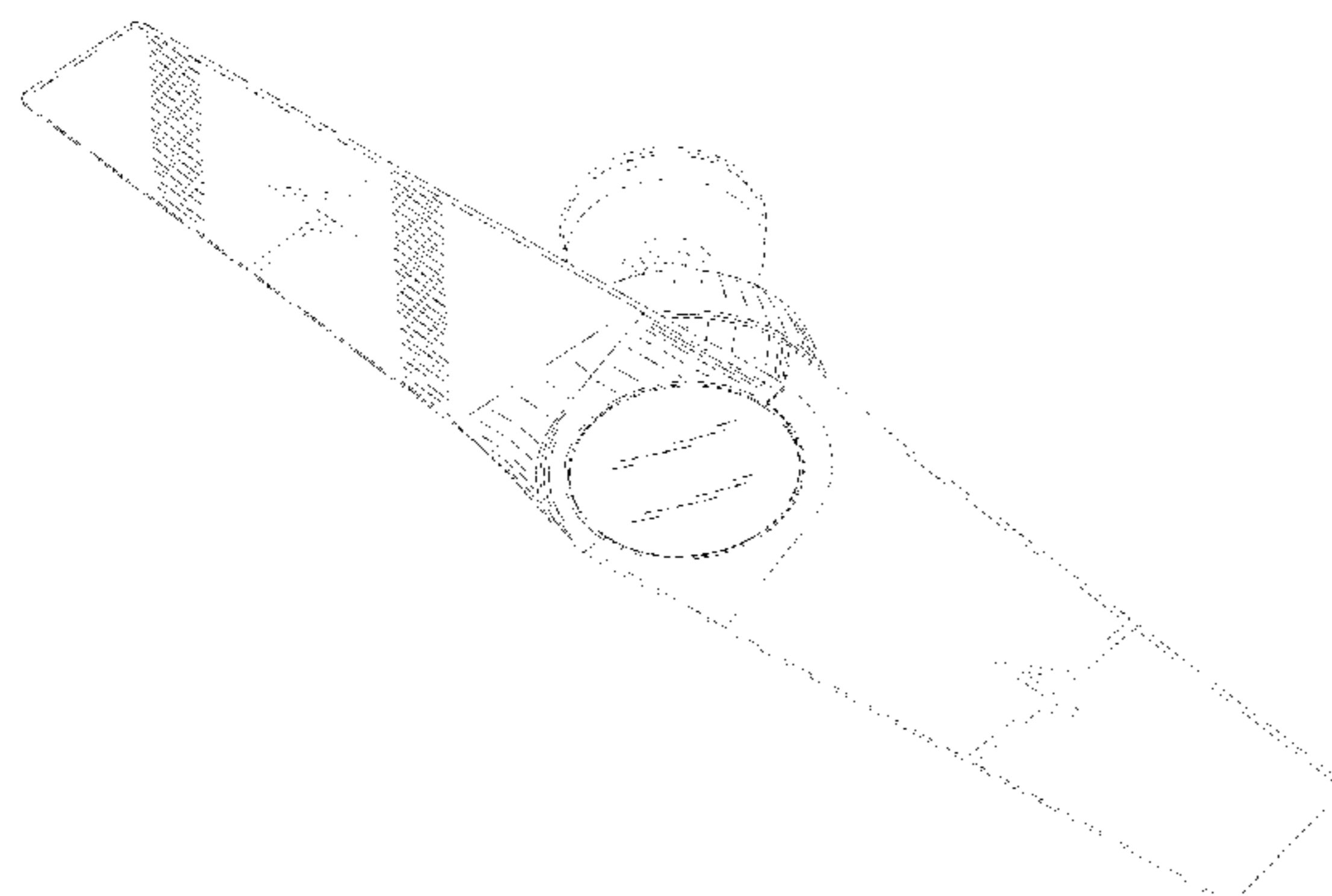
The ornamental design for a ceiling fan, as shown and described.

DESCRIPTION

FIG. 1 is a top perspective view of a ceiling fan, showing my new design;
FIG. 2 is a bottom perspective view thereof;
FIG. 3 is a top view thereof;
FIG. 4 is a bottom view thereof;
FIG. 5 is a right side view thereof;
FIG. 6 is a left side view thereof;
FIG. 7 is a rear view thereof; and,
FIG. 8 is a front view thereof.

Portions of the ceiling fan shown in broken lines form no part of the claimed design. The ceiling fan blades of the ceiling fan show broken jagged break lines that depict a symbolic break in length and form no part of the claimed design.

1 Claim, 7 Drawing Sheets



(56)

References Cited

U.S. PATENT DOCUMENTS

D892,301 S * 8/2020 Haggar D23/413
D911,510 S * 2/2021 Guthrie D23/377
D920,499 S * 5/2021 Holmes D23/411

OTHER PUBLICATIONS

<https://www.minkagroup.net/f846-dk.html>, Minka Wave II 60" 2-Blade Ceiling Fan in Distressed Koa Finish, Model No. F846-DK, accessed Jan. 8, 2019.

<https://www.craftmade.com/vogue-vg54>, Craftmade Vogue 2-Blade 54" Ceiling Fan, Model No. VG54, accessed Jan. 8, 2019.

<http://www.kichler.com/products/product/2-blade-56-downrod-mount-indoor-ceiling-fan-sbk-35.aspx>, Kichler 2-Blade 56" Downrod Mount Indoor Ceiling Fan in Satin Black, Model No. 35152, accessed Jan. 8, 2019.

<http://www.kichler.com/products/product/60-inch-ferron-ceiling-fan-ni-300160ni.aspx>, Kichler Ferron 2-Blade 60 Inch Ceiling Fan in Brushed Nickel, Model No. 300160NI, accessed Jan. 8, 2019.

* cited by examiner

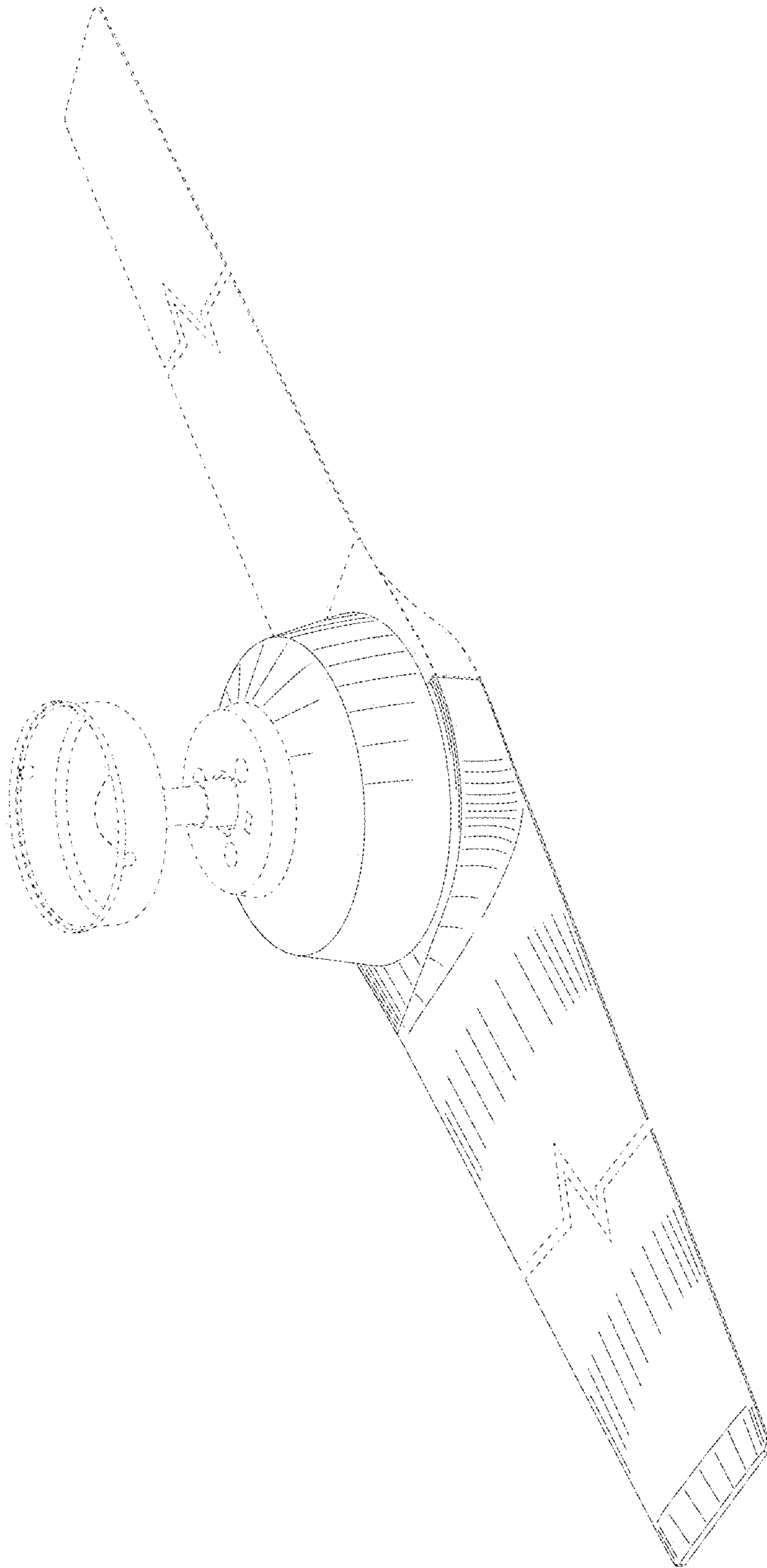


FIG. 1

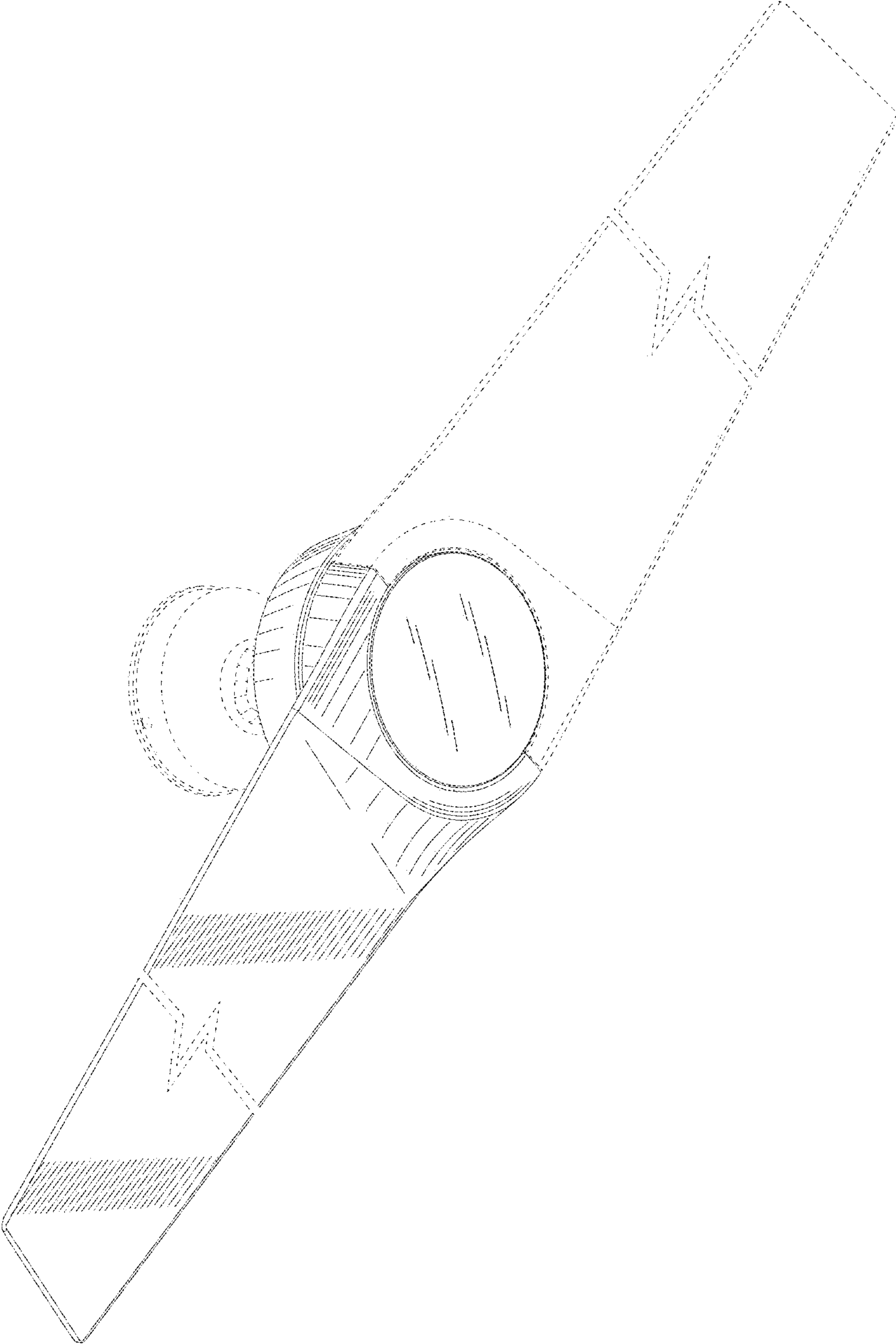


FIG. 2

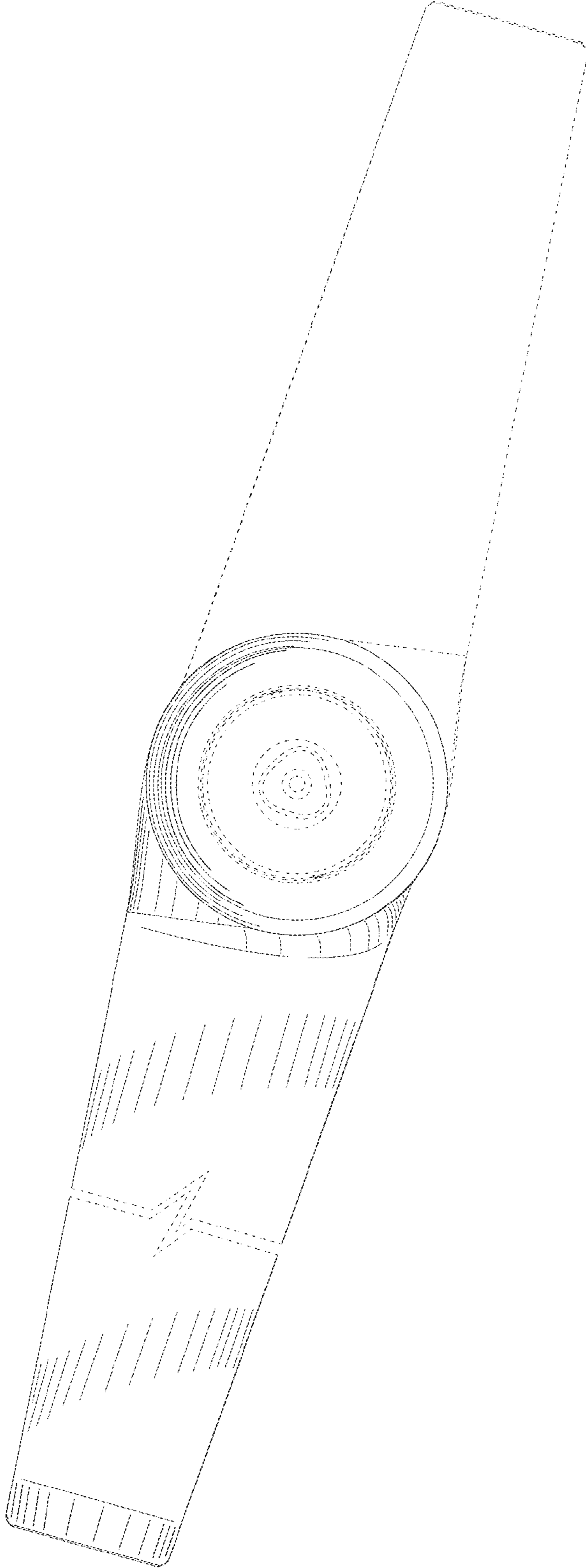


FIG. 3

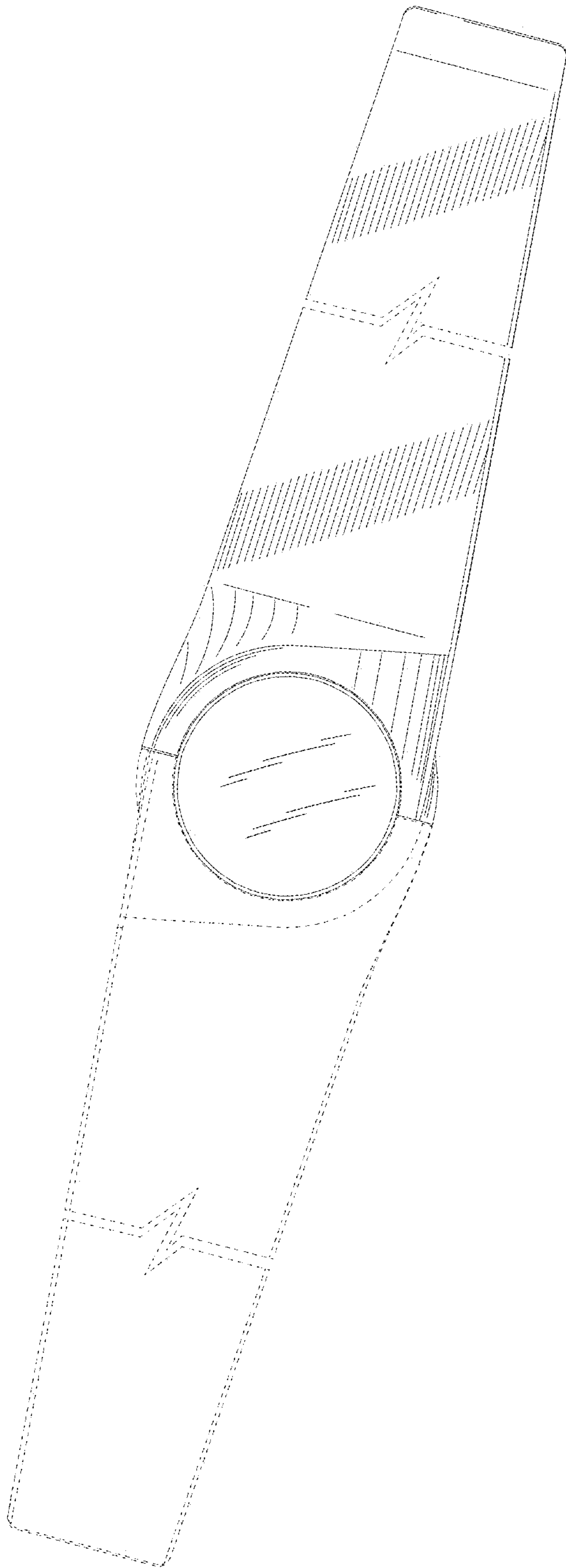


FIG. 4

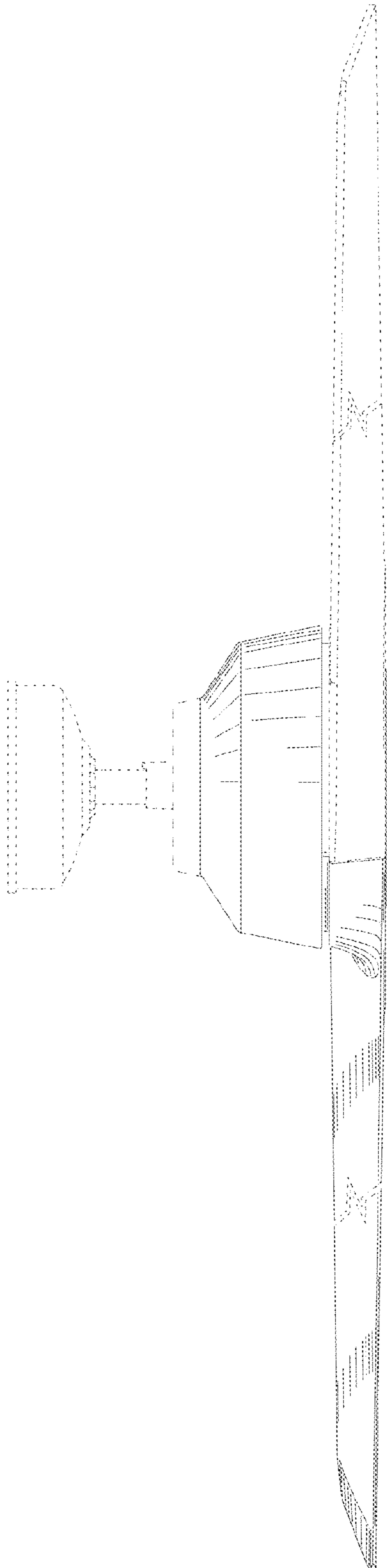


FIG. 5

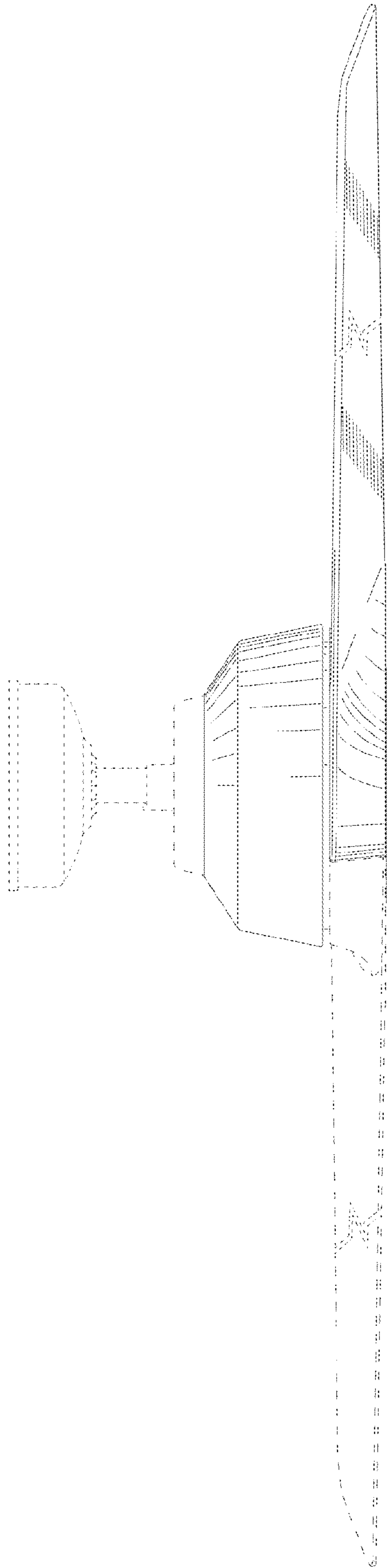


FIG. 6

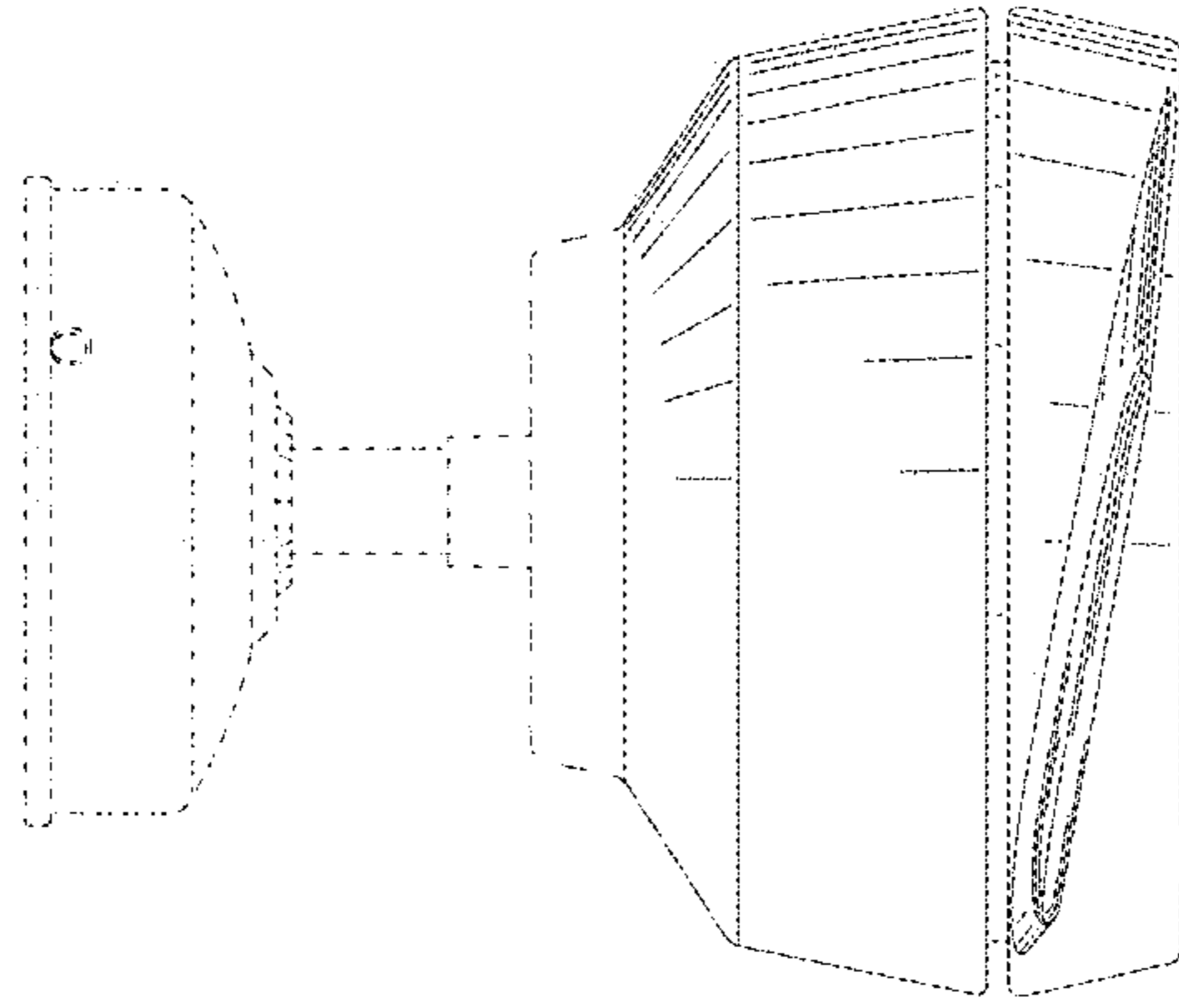


FIG. 7

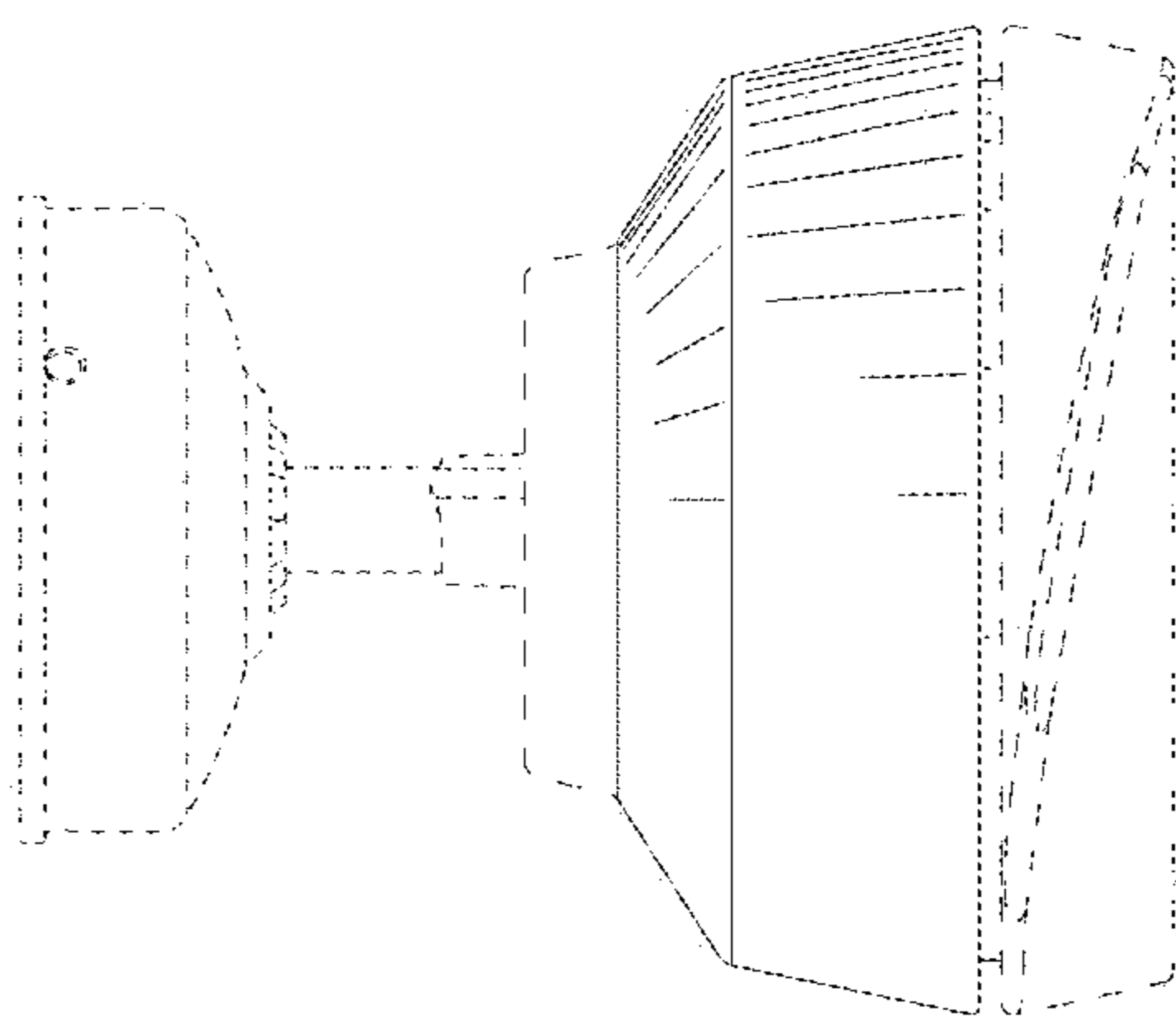


FIG. 8