



US00D946133S

(12) **United States Design Patent**
Jang et al.

(10) **Patent No.:** **US D946,133 S**
(45) **Date of Patent:** **** Mar. 15, 2022**

(54) **FAN WITH AIR PURIFICATION FUNCTION**

(71) Applicant: **LG ELECTRONICS INC.**, Seoul (KR)

(72) Inventors: **Hosik Jang**, Seoul (KR); **Kibbum Park**, Seoul (KR); **Seungho Baek**, Seoul (KR); **Hyein Jung**, Seoul (KR)

(73) Assignee: **LG Electronics Inc.**, Seoul (KR)

(**) Term: **15 Years**

(21) Appl. No.: **29/713,885**

(22) Filed: **Nov. 19, 2019**

(30) **Foreign Application Priority Data**

May 20, 2019 (JP) 2019-010949

(51) **LOC (13) Cl.** **23-04**

(52) **U.S. Cl.**
USPC **D23/364**

(58) **Field of Classification Search**
USPC D23/332-333, 336, 342, 351, 352,
D23/355-366, 369

CPC .. A61L 9/16; A61L 9/22; B01D 47/00; B01D
47/027; B01D 2221/02; B03C 3/155;
B03C 3/368; F24F 3/16; F24F 13/20
See application file for complete search history.

(56) **References Cited**

U.S. PATENT DOCUMENTS

D433,494 S *	11/2000	Pinchuk	D23/364
D506,000 S *	6/2005	Christianson	D23/364
D529,160 S *	9/2006	Li	D23/364
D539,406 S *	3/2007	Wang	D23/364
D542,399 S *	5/2007	Chen	D23/364
D550,342 S *	9/2007	Campbell	D23/364
D551,329 S *	9/2007	Cheng	D23/364

D574,476 S *	8/2008	Spiegel	D23/364
D577,427 S *	9/2008	Spiegel	D23/364
D588,686 S *	3/2009	Spiegel	D23/364
D594,103 S *	6/2009	Campbell	D23/364
D603,949 S *	11/2009	Campbell	D23/364
D658,752 S *	5/2012	Farone	D23/364
D678,992 S *	3/2013	Choi	D23/364
D722,686 S *	2/2015	Salagnac	D23/364
D731,633 S *	6/2015	Farone	D23/364
D744,077 S *	11/2015	Yasukochi	D23/364
D861,148 S *	9/2019	Sheng	D23/364
D891,598 S *	7/2020	Hernandez	D23/364
D900,290 S *	10/2020	Shin	D23/364
D918,369 S *	5/2021	Jang	D23/364
D918,370 S *	5/2021	Jang	D23/364
D919,783 S *	5/2021	Jang	D23/364

* cited by examiner

Primary Examiner — Karen S Acker

Assistant Examiner — Jonathan E Fiencke

(74) *Attorney, Agent, or Firm* — Birch, Stewart, Kolasch & Birch, LLP

(57) **CLAIM**

We claim the ornamental design for a fan with air purification function, as shown and described.

DESCRIPTION

FIG. 1 is a perspective view of a fan with air purification function showing the new design; FIG. 2 is a front elevation view thereof; FIG. 3 is a rear elevation view thereof; FIG. 4 is a left-side elevation view thereof; FIG. 5 is a right-side elevation view thereof; FIG. 6 is a top plan view thereof; and, FIG. 7 is a bottom plan view thereof. The broken lines and the areas within them depict portions of the fan with air purification function that form no part of the claim.

1 Claim, 6 Drawing Sheets

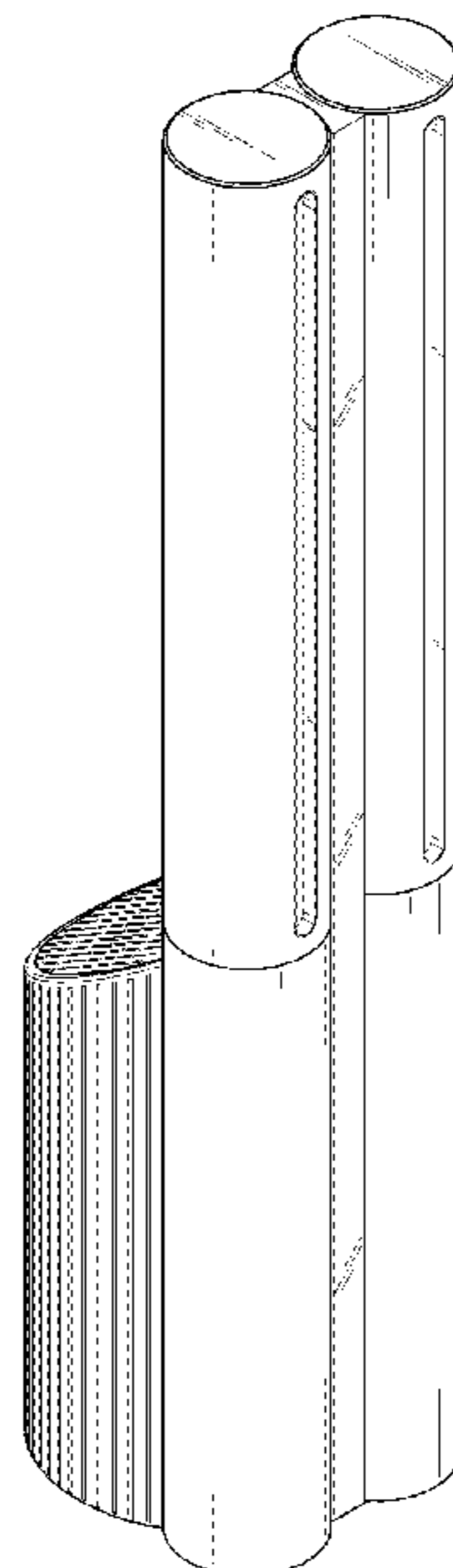


FIG. 1

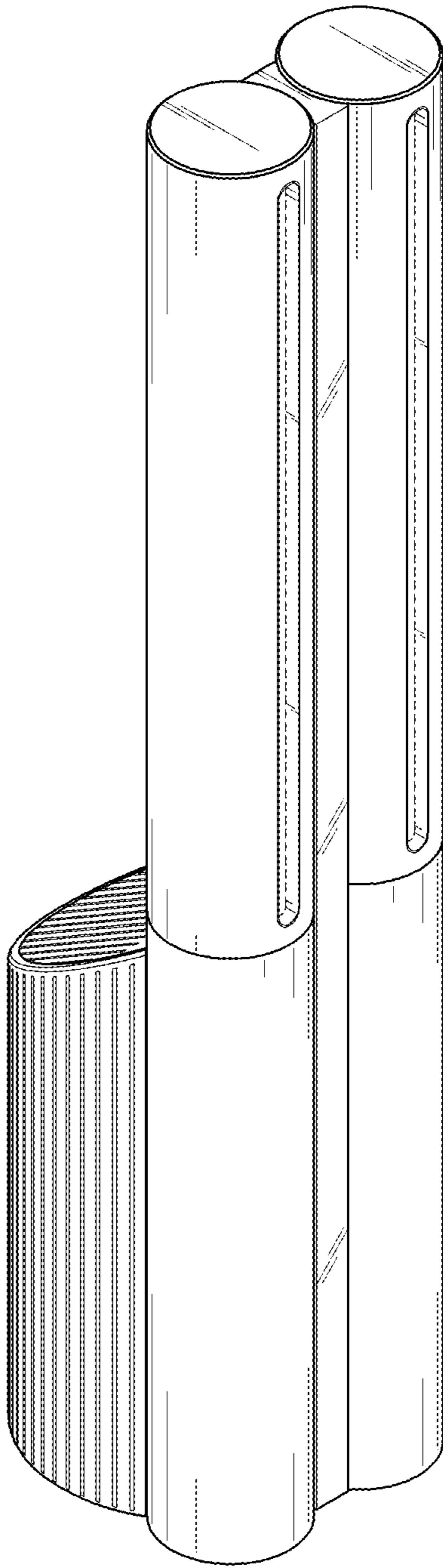


FIG. 2

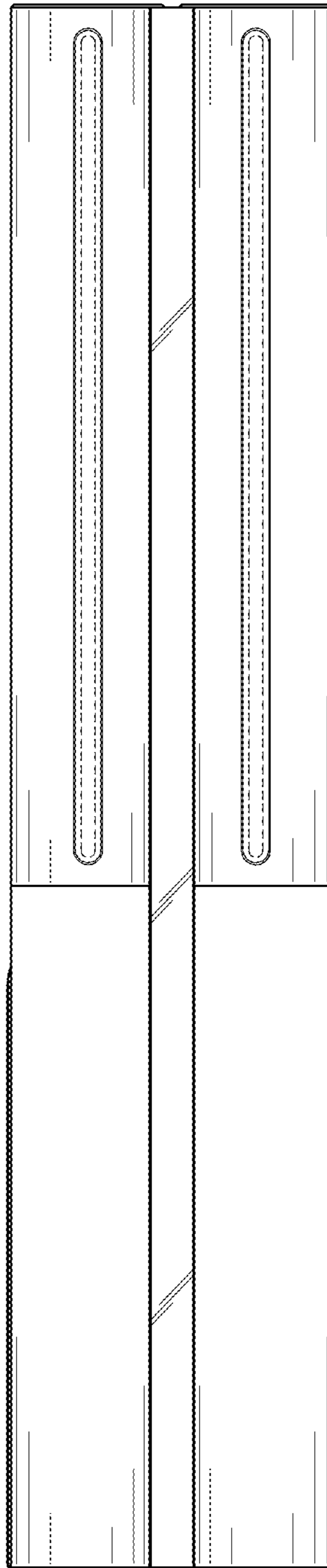


FIG. 3

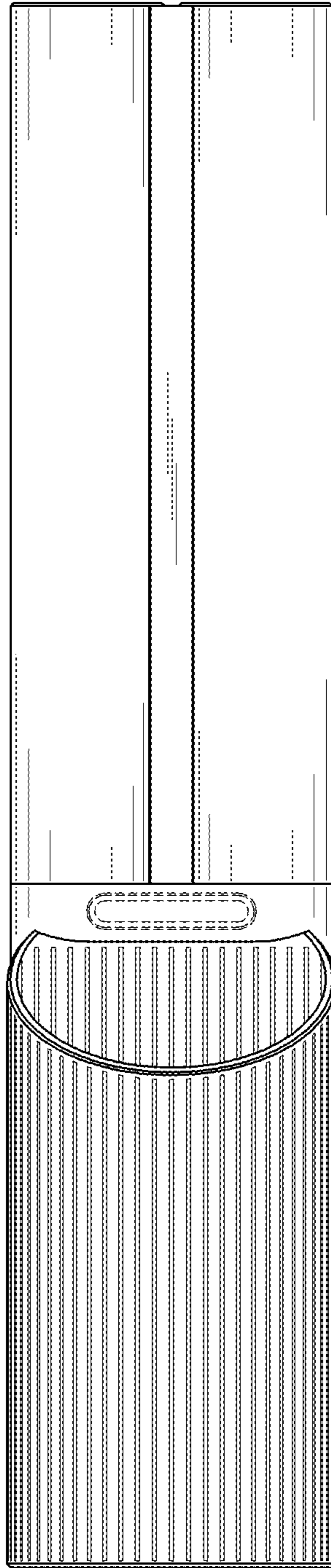


FIG. 4

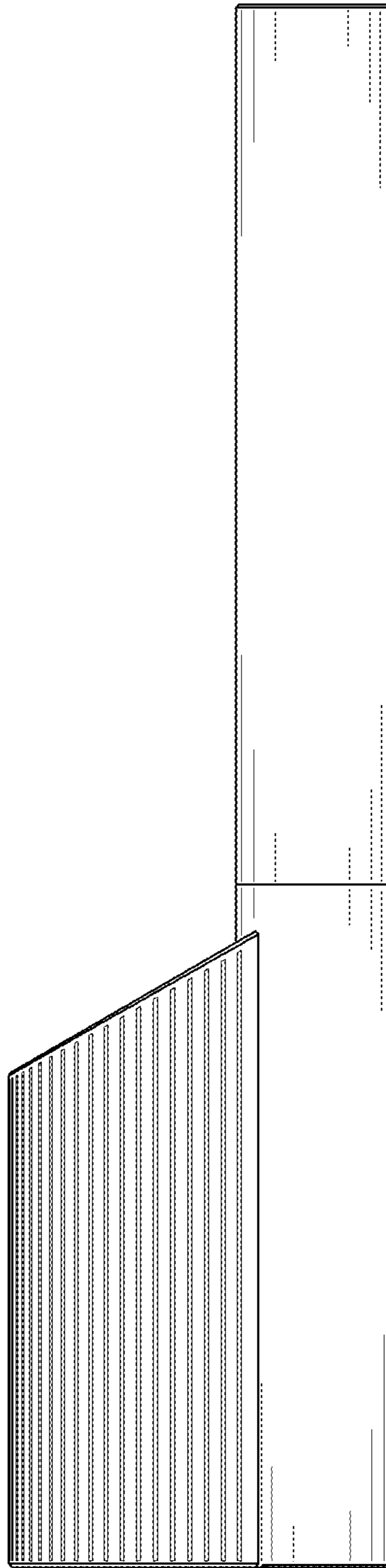


FIG. 5

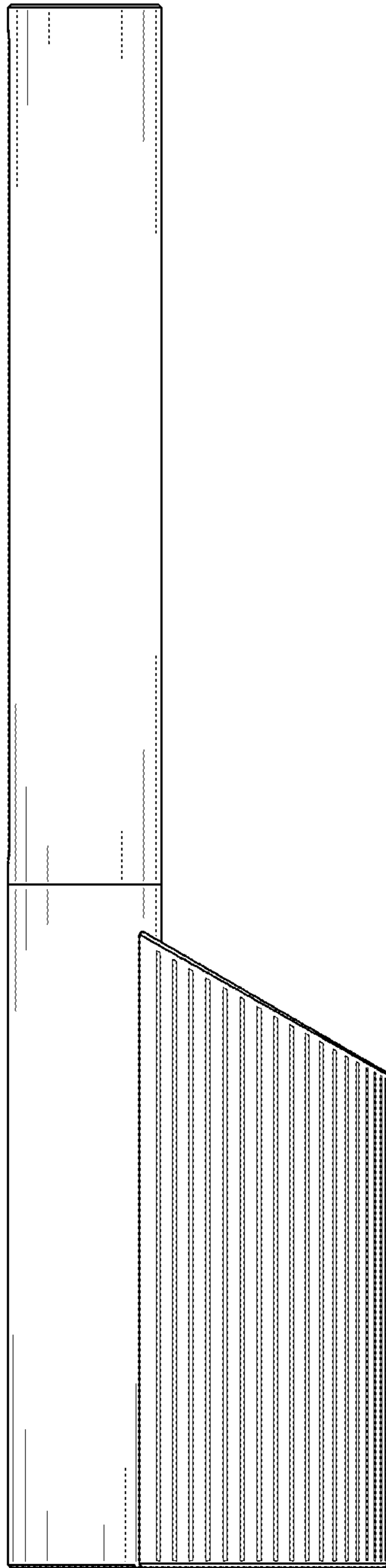


FIG. 6

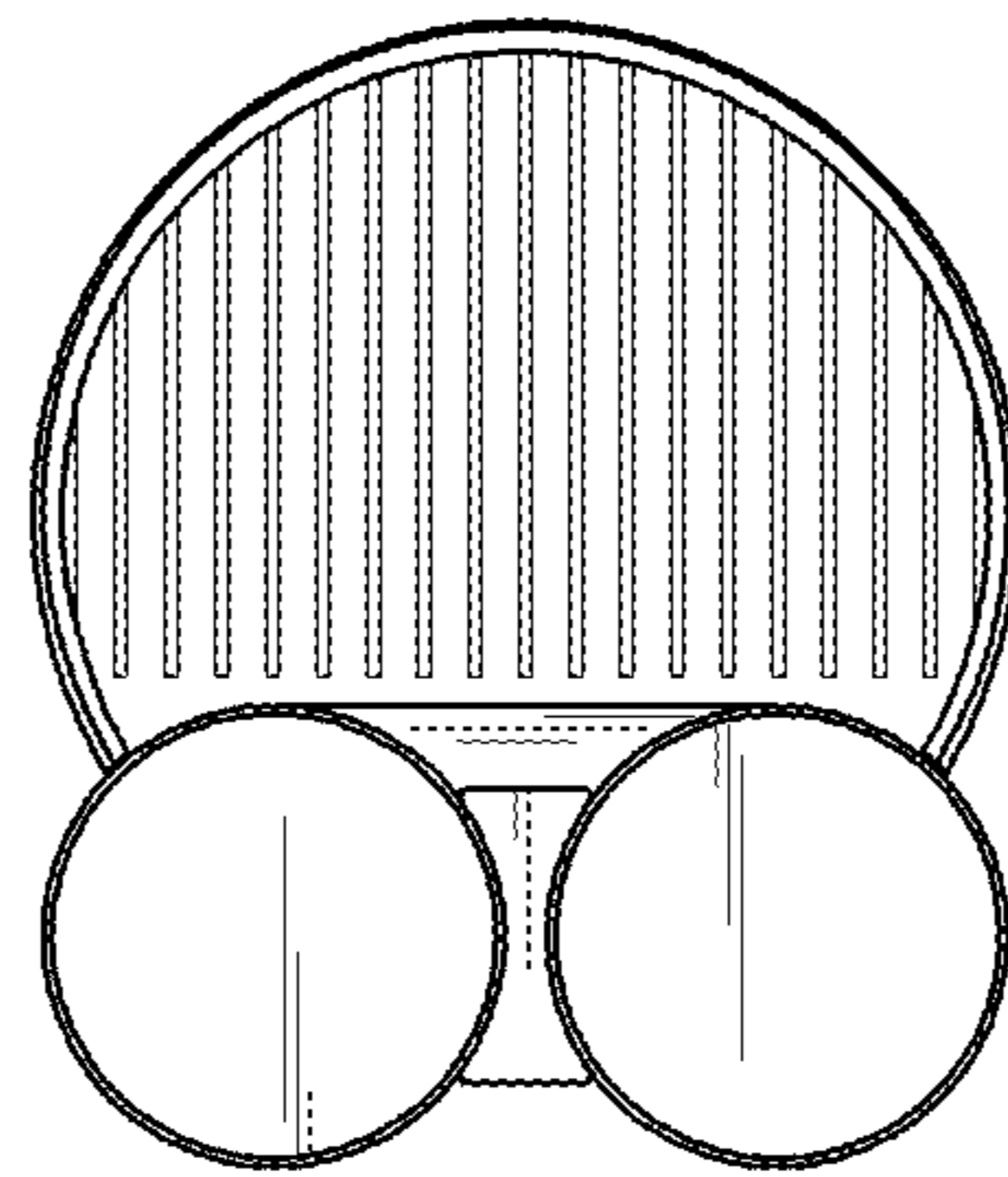


FIG. 7

