

US00D946131S

(12) **United States Design Patent**  
**OHalloran**

(10) **Patent No.:** **US D946,131 S**

(45) **Date of Patent:** **\*\* Mar. 15, 2022**

(54) **AIR CURTAIN**

(71) Applicant: **Jeremy OHalloran**, Brentwood, PA  
(US)

(72) Inventor: **Jeremy OHalloran**, Brentwood, PA  
(US)

(73) Assignee: **Berner International, LLC**, New  
Castle, PA (US)

(\*\*) Term: **15 Years**

(21) Appl. No.: **29/714,369**

(22) Filed: **Nov. 22, 2019**

(51) **LOC (13) Cl.** ..... **23-04**

(52) **U.S. Cl.**  
USPC ..... **D23/351**

(58) **Field of Classification Search**  
USPC ..... D23/333, 351-354, 388  
CPC .... F24F 1/00; F24F 1/0007; F24F 1/02; F24F  
1/08; F24F 1/42; F24F 1/56; F24F 1/60;  
F24F 3/044; F24F 3/048; F24F 3/16;  
G05D 23/1905; G05D 23/1932; G05D  
23/1902; G05D 23/1931; G05B 19/0426;  
G05B 19/409; G05B 15/02  
See application file for complete search history.

(56) **References Cited**

**U.S. PATENT DOCUMENTS**

D320,648 S \* 10/1991 Velazquez ..... D23/335  
D402,749 S \* 12/1998 Jane ..... D23/335

D565,712 S \* 4/2008 Nagahori ..... D23/351  
D578,633 S \* 10/2008 Schluter ..... D23/370  
D598,996 S \* 8/2009 Duarte ..... D23/354  
D797,912 S \* 9/2017 Kim ..... D23/351  
D806,855 S \* 1/2018 Urano ..... D23/388  
D814,617 S \* 4/2018 Shin ..... D23/351  
D836,765 S \* 12/2018 Puffer ..... D23/370  
D838,829 S \* 1/2019 Puffer ..... D23/370  
D838,830 S \* 1/2019 Puffer ..... D23/370  
D847,317 S \* 4/2019 Shin ..... D23/351  
D855,165 S \* 7/2019 Bae ..... D23/351  
D855,166 S \* 7/2019 Bae ..... D23/351  
D880,669 S \* 4/2020 Urano ..... D23/351  
D886,971 S \* 6/2020 Shin ..... D23/351

\* cited by examiner

*Primary Examiner* — Natasha Vujcic

(74) *Attorney, Agent, or Firm* — Harpman & Harpman

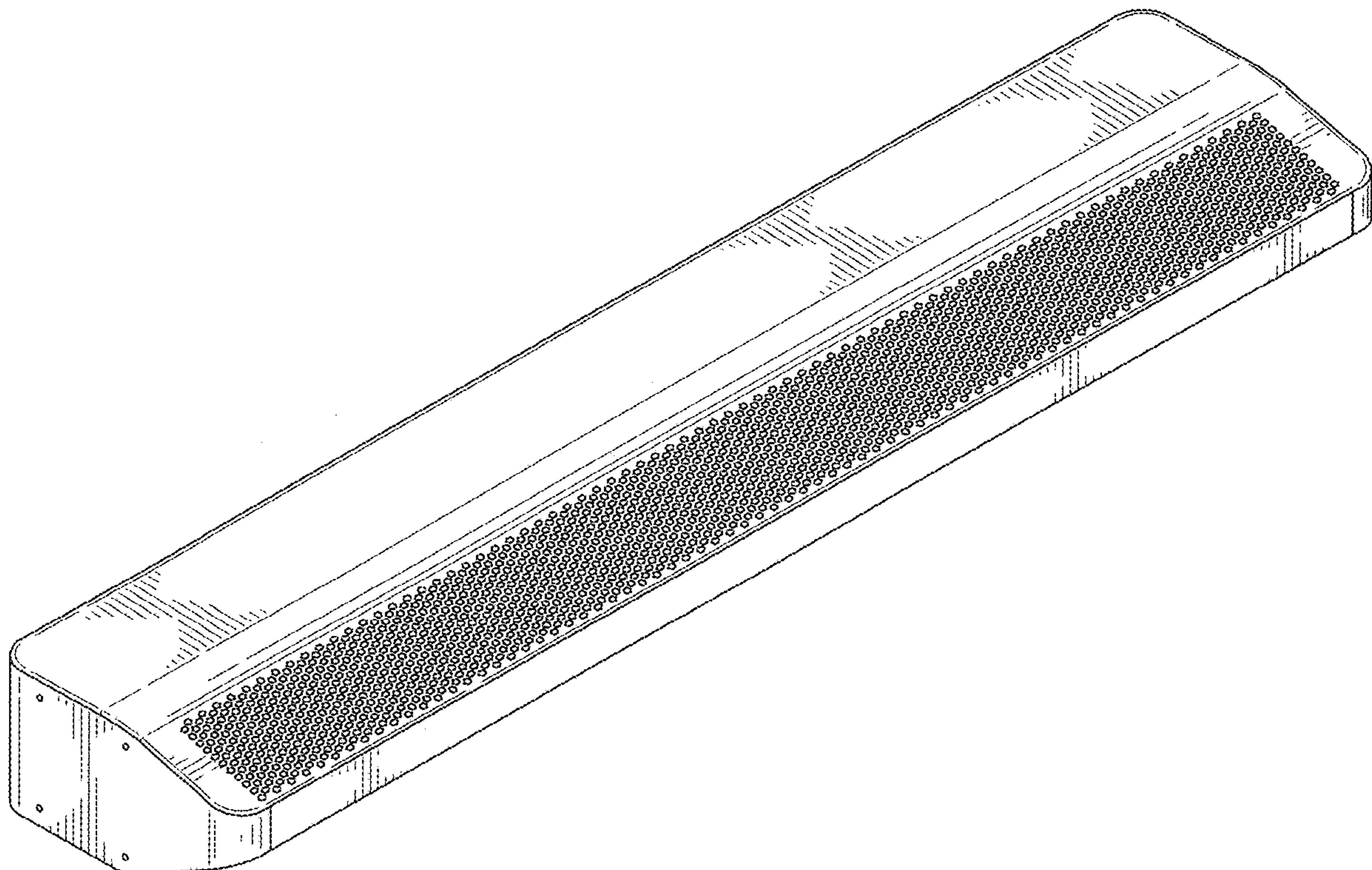
(57) **CLAIM**

The ornamental design for an air curtain, as shown and described.

**DESCRIPTION**

FIG. 1 is a perspective view of the air curtain.  
FIG. 2 is a front elevational view thereof.  
FIG. 3 is a rear elevational view thereof.  
FIG. 4 is a top plan view of the air curtain.  
FIG. 5 is a bottom plan view thereof; and,  
FIG. 6 is an end view on lines 6-6 of FIG. 4.

**1 Claim, 4 Drawing Sheets**



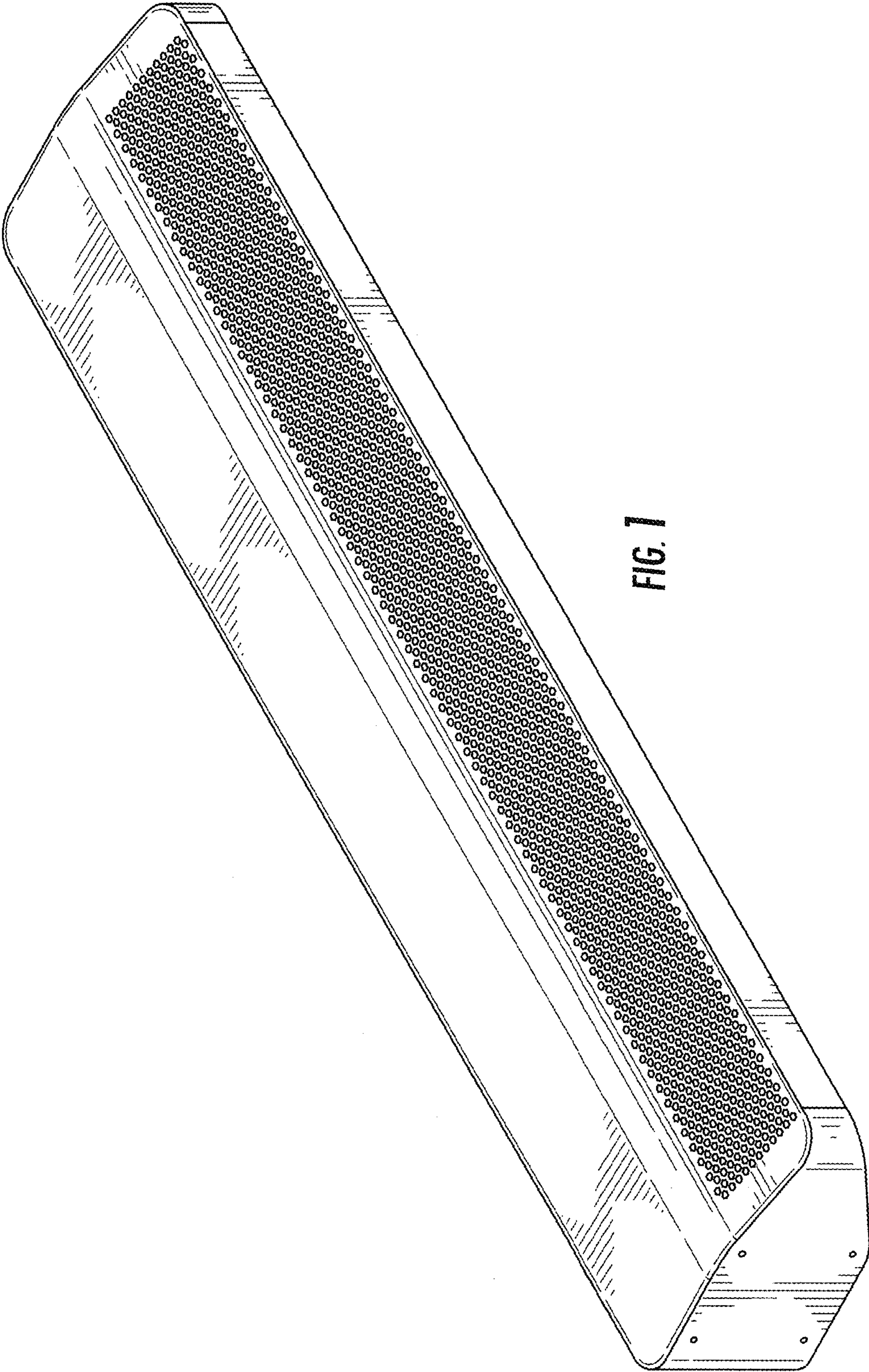


FIG. 1



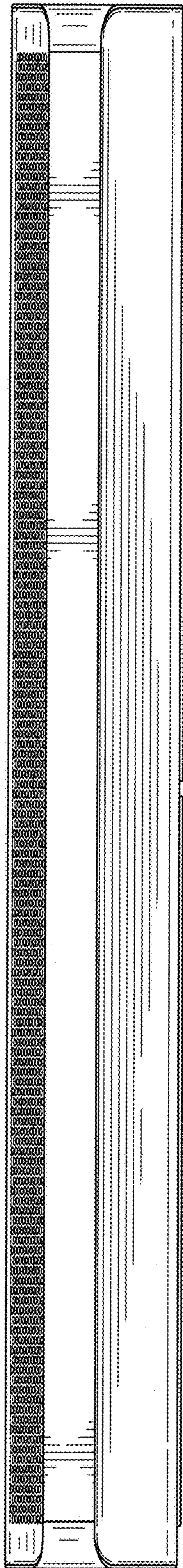


FIG. 2

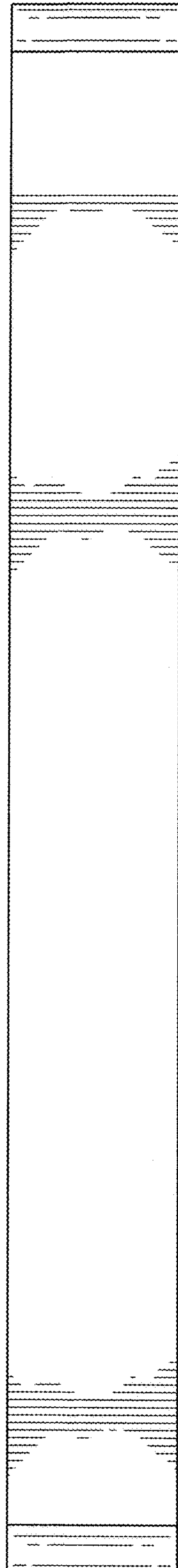


FIG. 3



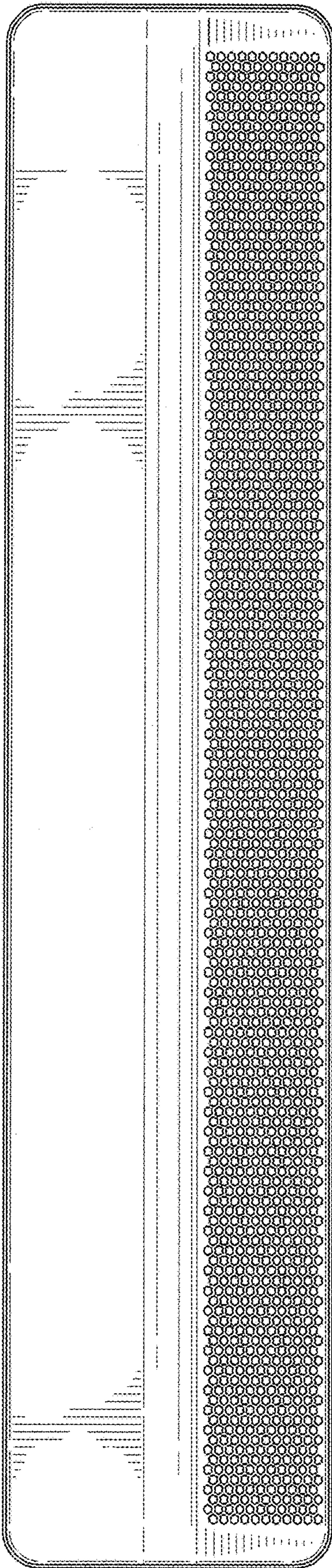


FIG. 4

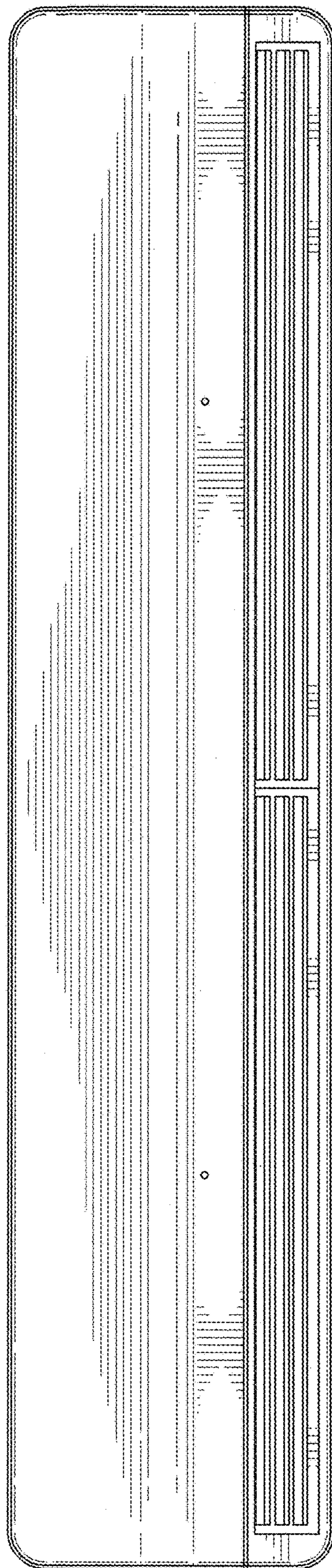
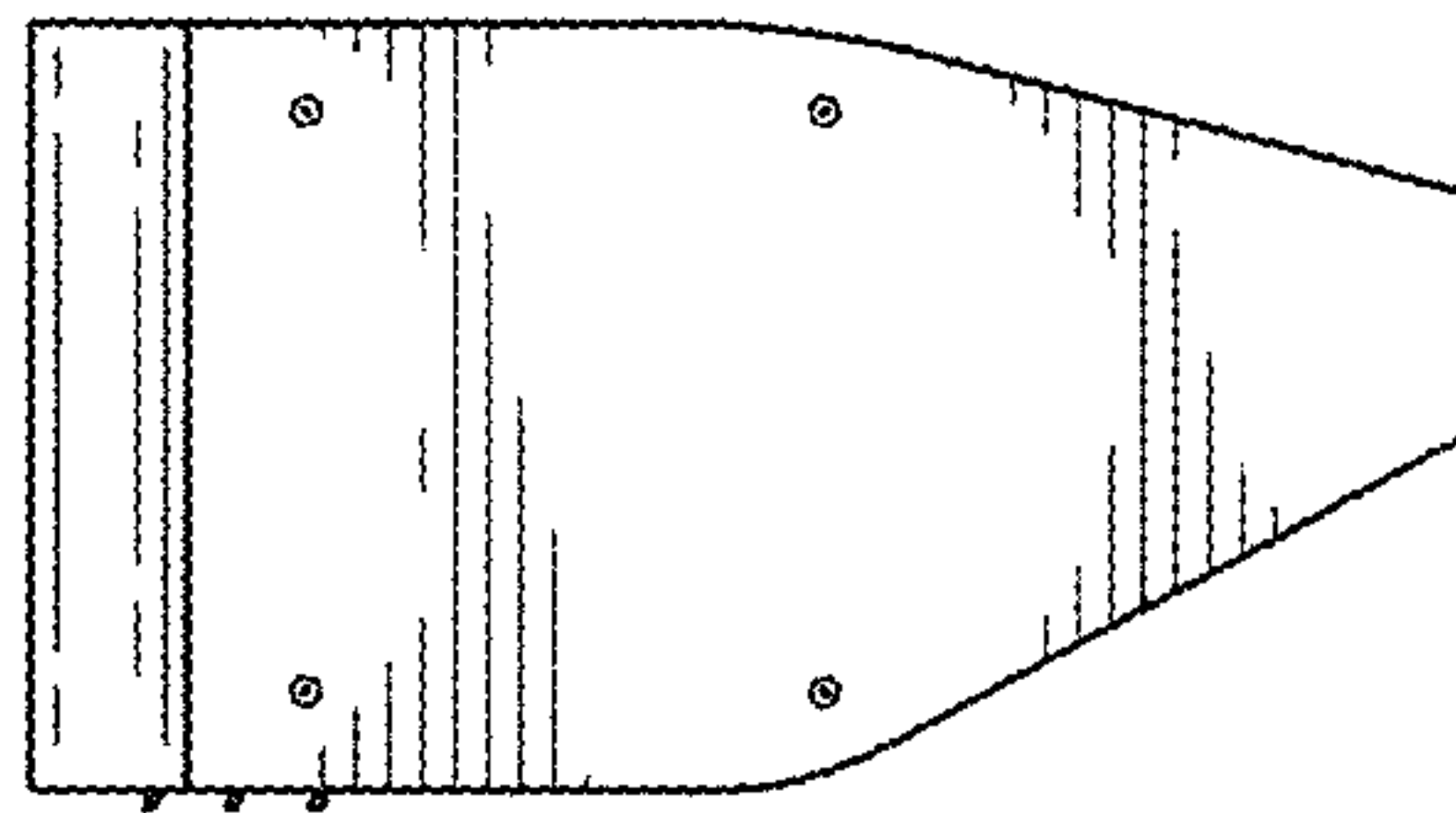


FIG. 5



**FIG. 6**