



US00D946130S

(12) **United States Design Patent** (10) **Patent No.:** **US D946,130 S**  
**Levi** (45) **Date of Patent:** **\*\* Mar. 15, 2022**

(54) **SINK**

FOREIGN PATENT DOCUMENTS

(71) Applicant: **KRAUS USA PLUMBING LLC**, Port Washington, NY (US)

CN 2082107 U 8/1991  
CN 201750889 U 2/2011

(Continued)

(72) Inventor: **Russell Levi**, Port Washington, NY (US)

OTHER PUBLICATIONS

(73) Assignee: **KRAUS USA PLUMBING LLC**, Port Washington, NY (US)

U.S. Appl. No. 29/701,570, filed Aug. 13, 2019 in the name of Kraus USA Inc.

(Continued)

(\*\*) Term: **15 Years**

(21) Appl. No.: **29/701,077**

*Primary Examiner* — Robert A Delehanty

(22) Filed: **Aug. 8, 2019**

(74) *Attorney, Agent, or Firm* — Nirav D. Parikh; Edgar A. Zarins

(51) **LOC (13) Cl.** ..... **23-02**

(52) **U.S. Cl.**  
USPC ..... **D23/290**

(57) **CLAIM**

The ornamental design for a sink, as shown and described.

(58) **Field of Classification Search**  
USPC ..... D23/284, 286–287, 290, 292, 293.1, 308  
CPC ..... A47K 1/04; A47B 77/06  
See application file for complete search history.

**DESCRIPTION**

FIG. 1 is a front perspective view of a sink in accordance with the present design;  
FIG. 2 is a rear elevational view thereof;  
FIG. 3 is a top plan view thereof;  
FIG. 4 is a bottom plan view thereof;  
FIG. 5 is a right side elevational view thereof;  
FIG. 6 is a left side elevational view thereof;  
FIG. 7 is a front perspective view of an alternate embodiment of a sink in accordance with the present design;  
FIG. 8 is a rear elevational view thereof;  
FIG. 9 is a top plan view thereof;  
FIG. 10 is a bottom plan view thereof;  
FIG. 11 is a right side elevational view thereof; and,  
FIG. 12 is a left side elevational view thereof.  
The broken lines shown are included for the purpose of illustrating a portion of the sink that form no part of the claimed design.

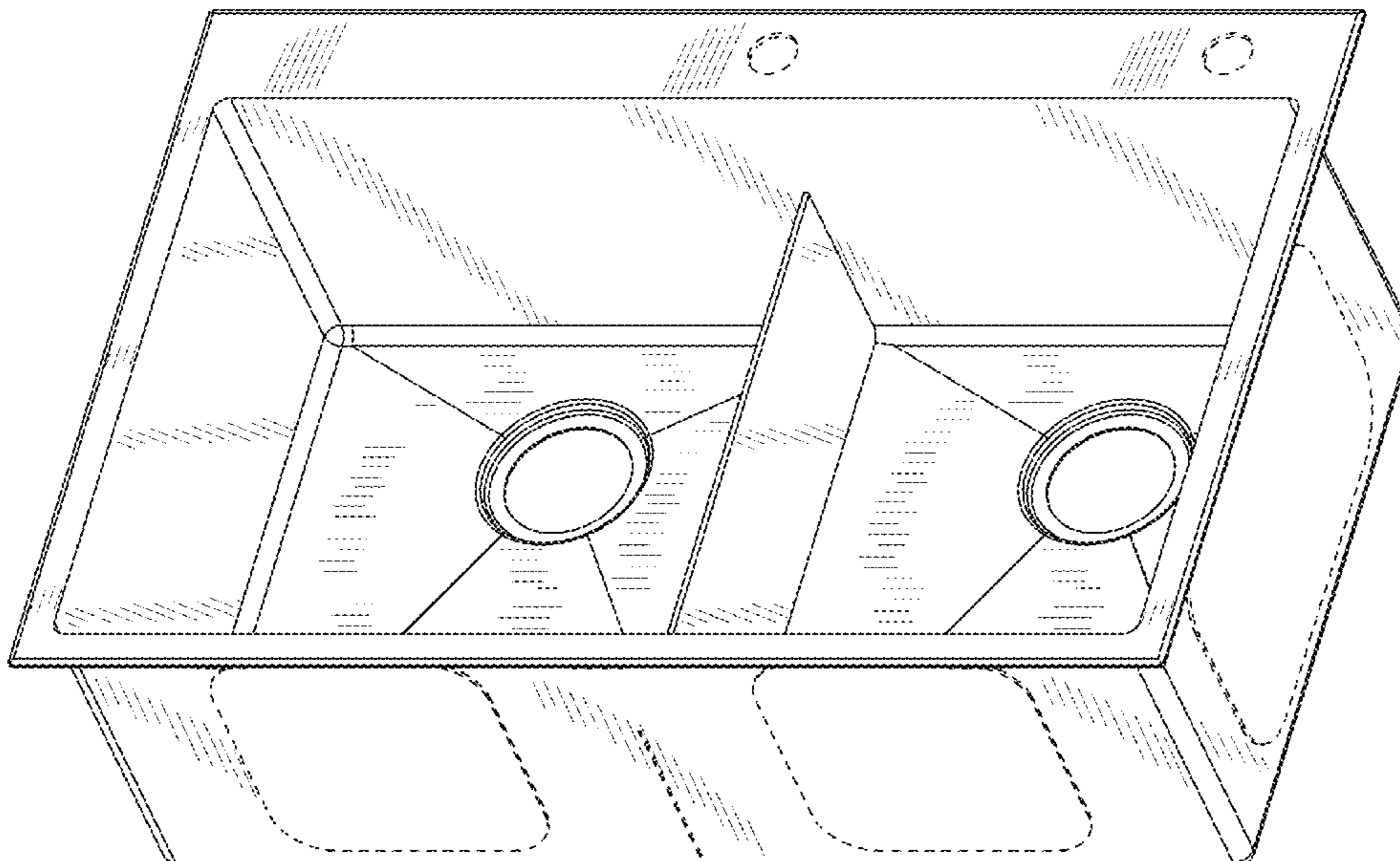
(56) **References Cited**

U.S. PATENT DOCUMENTS

D478,970 S	8/2003	Ziemann et al.	
D505,188 S	5/2005	Bayer	
D538,906 S	3/2007	Stein	
7,494,556 B2	2/2009	Von Mertz	
D603,484 S	11/2009	Eilmus	
D618,324 S	6/2010	Yu	
D626,203 S	10/2010	Cusimano	
D648,838 S *	11/2011	Booth	D23/290
D655,798 S	3/2012	Miller et al.	
D657,029 S	4/2012	de Giulio	
D669,559 S *	10/2012	Booth	D23/290
D671,197 S *	11/2012	Miller	D23/290
D677,769 S	3/2013	Yoshioka et al.	
D702,332 S	4/2014	Eilmus et al.	
8,898,827 B2	12/2014	Aldrich	

(Continued)

**1 Claim, 10 Drawing Sheets**



(56)

**References Cited**

U.S. PATENT DOCUMENTS

D746,419 S 12/2015 Kurth et al.  
D769,423 S 10/2016 Lilly et al.  
9,783,967 B2 10/2017 Jain et al.  
D835,762 S 12/2018 Levi  
D849,895 S 5/2019 Bucher  
D911,497 S \* 2/2021 Levi ..... D23/284  
D918,352 S \* 5/2021 Li ..... D23/290  
2003/0204905 A1 11/2003 Ziemann et al.  
2006/0242761 A1 11/2006 Babick et al.  
2008/0148475 A1 6/2008 Lin  
2010/0275369 A1 11/2010 Eilmus et al.  
2011/0308009 A1 12/2011 Davoudi  
2012/0204343 A1 8/2012 Shollmier  
2014/0259380 A1 \* 9/2014 Eilmus ..... E03C 1/22  
4/650  
2018/0030704 A1 \* 2/2018 Bomatter ..... E03C 1/18  
2018/0141154 A1 5/2018 Oogushi et al.

FOREIGN PATENT DOCUMENTS

DE 9314916 U1 12/1993  
EP 1776898 A2 4/2007  
EP 3143900 A1 3/2017  
JP 3190882 U 5/2014  
WO 2013126482 A1 8/2013

OTHER PUBLICATIONS

U.S. Appl. No. 29/701,078, filed Aug. 8, 2019 in the name of Kraus  
USA Inc.  
U.S. Appl. No. 29/680,413, filed Feb. 15, 2019 in the name of Kraus  
USA Inc.

\* cited by examiner

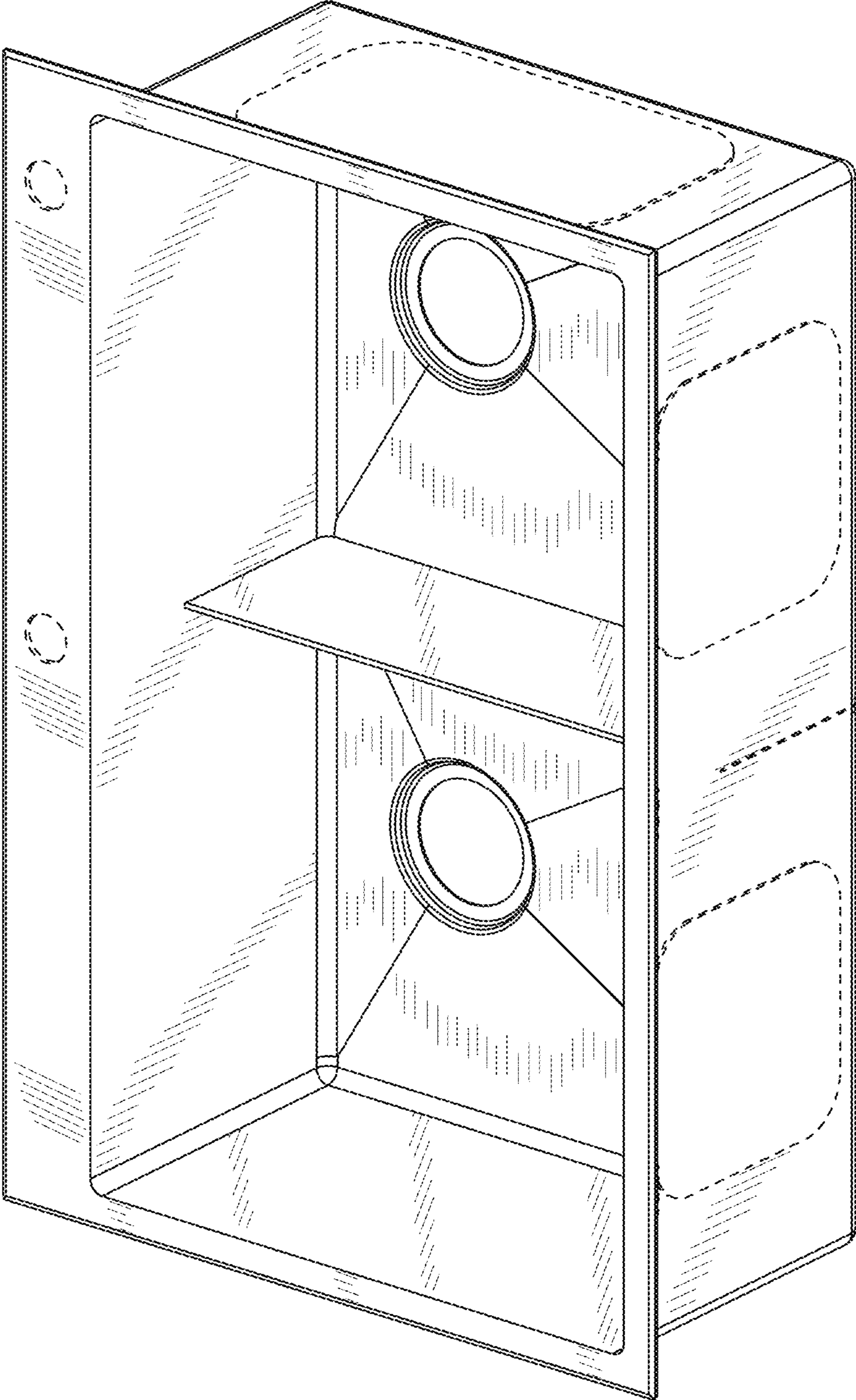


FIG. 1

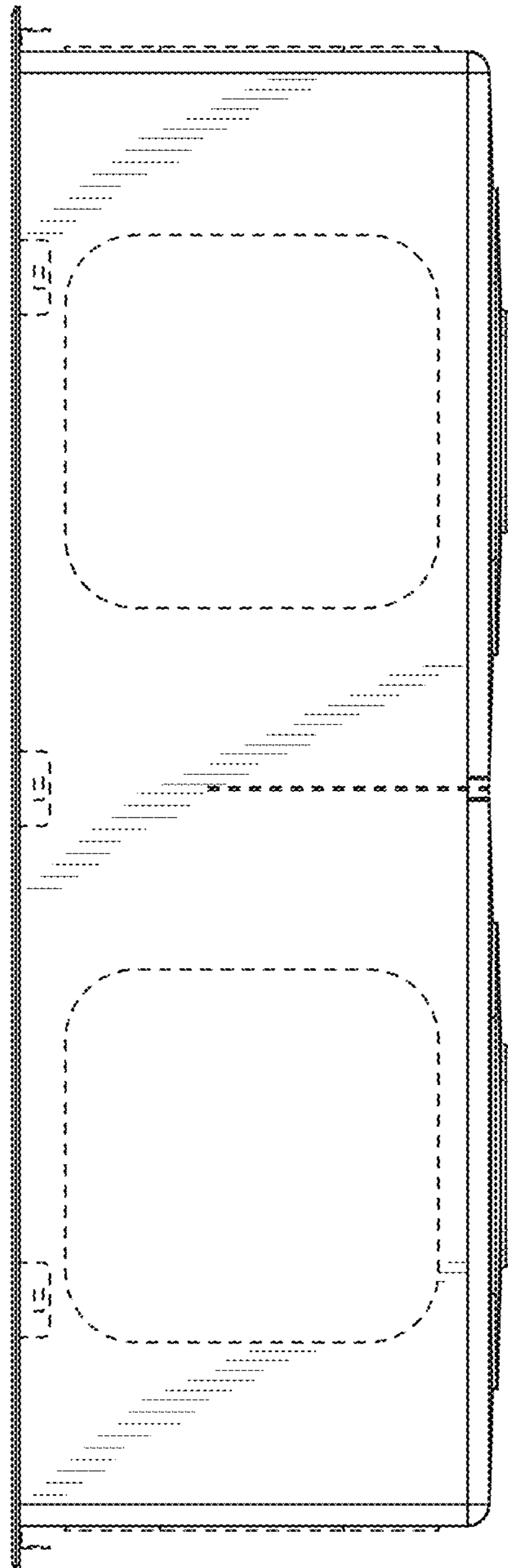


FIG. 2

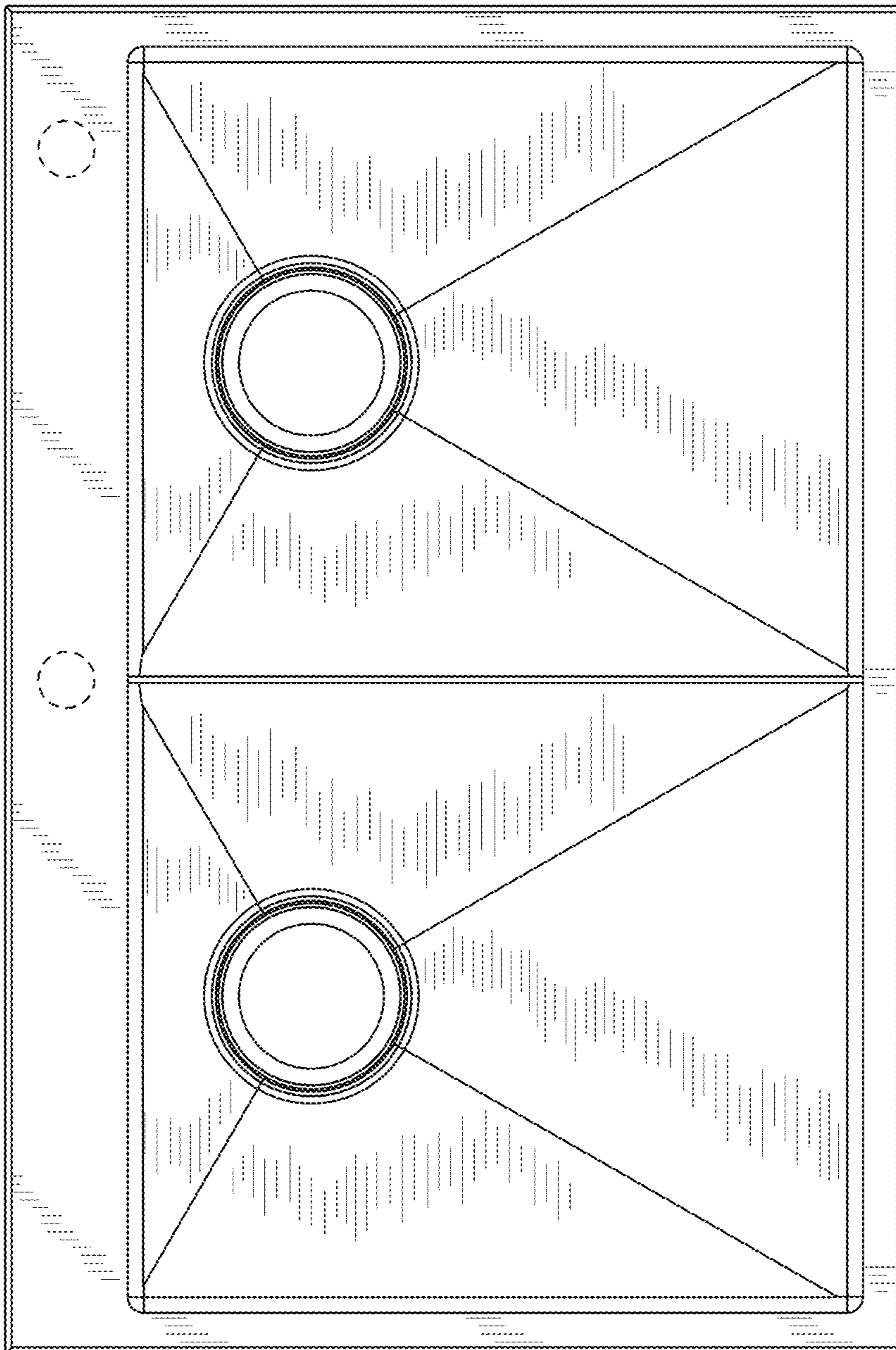


FIG. 3

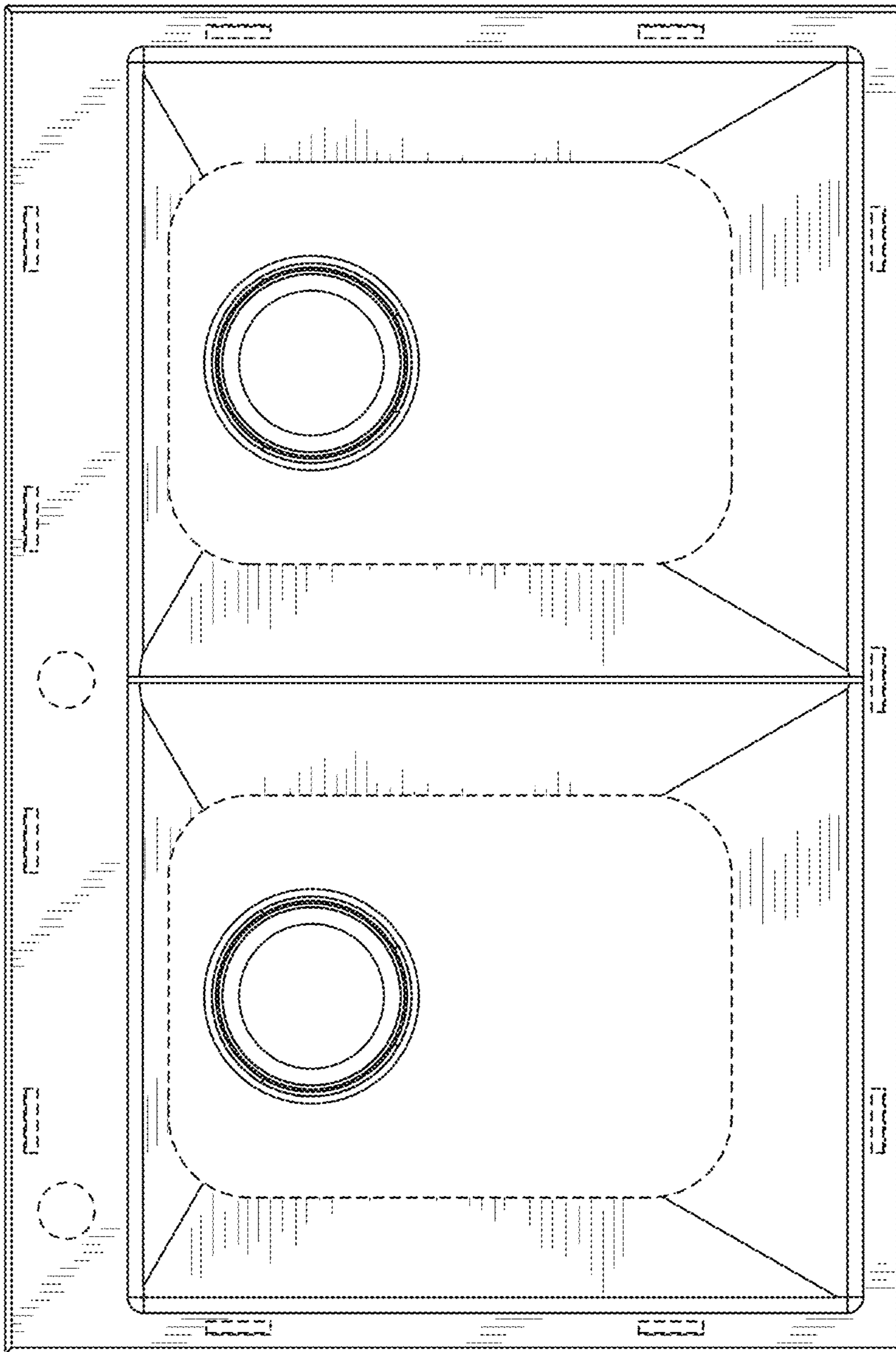


FIG. 4

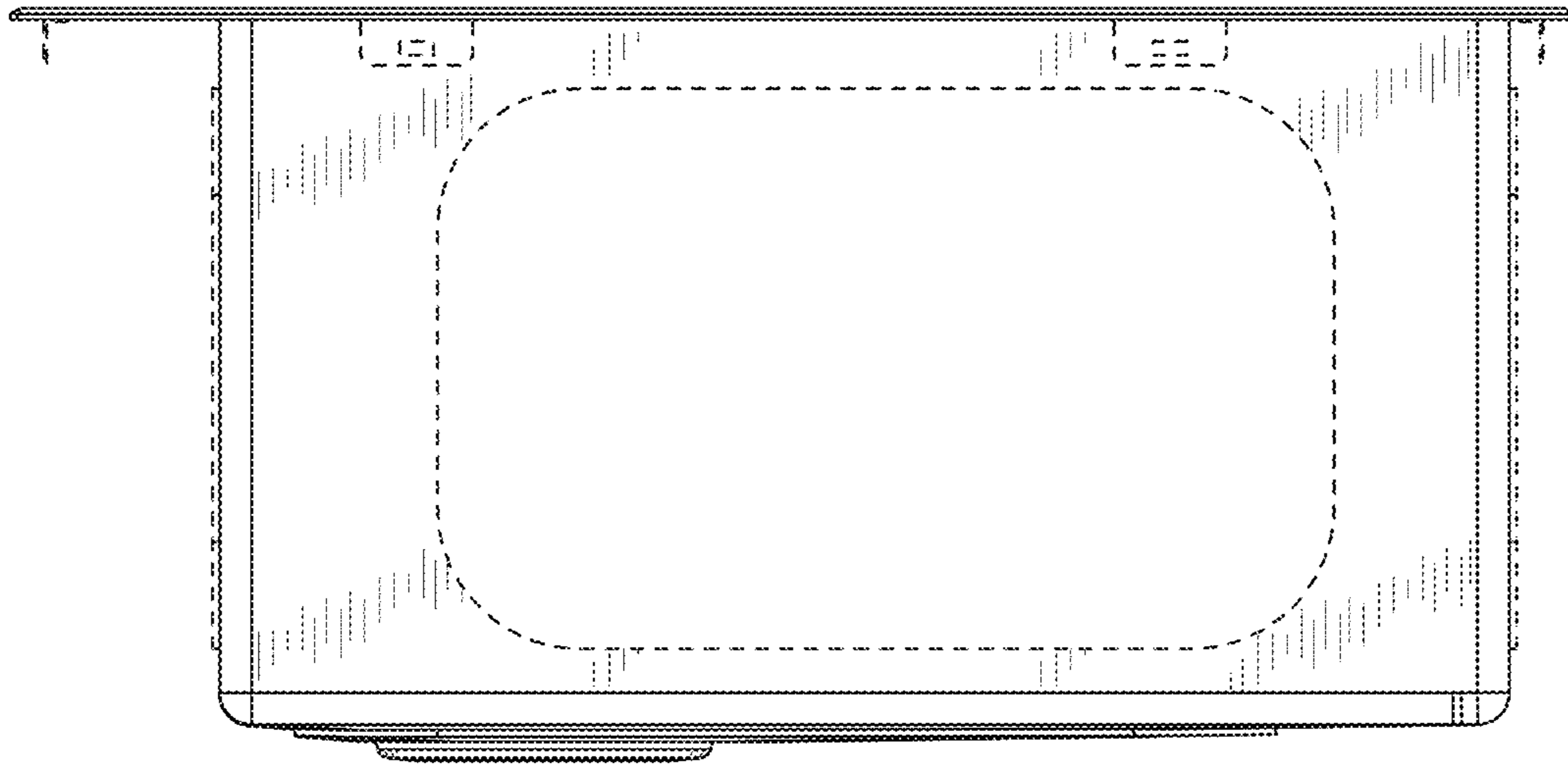


FIG. 5

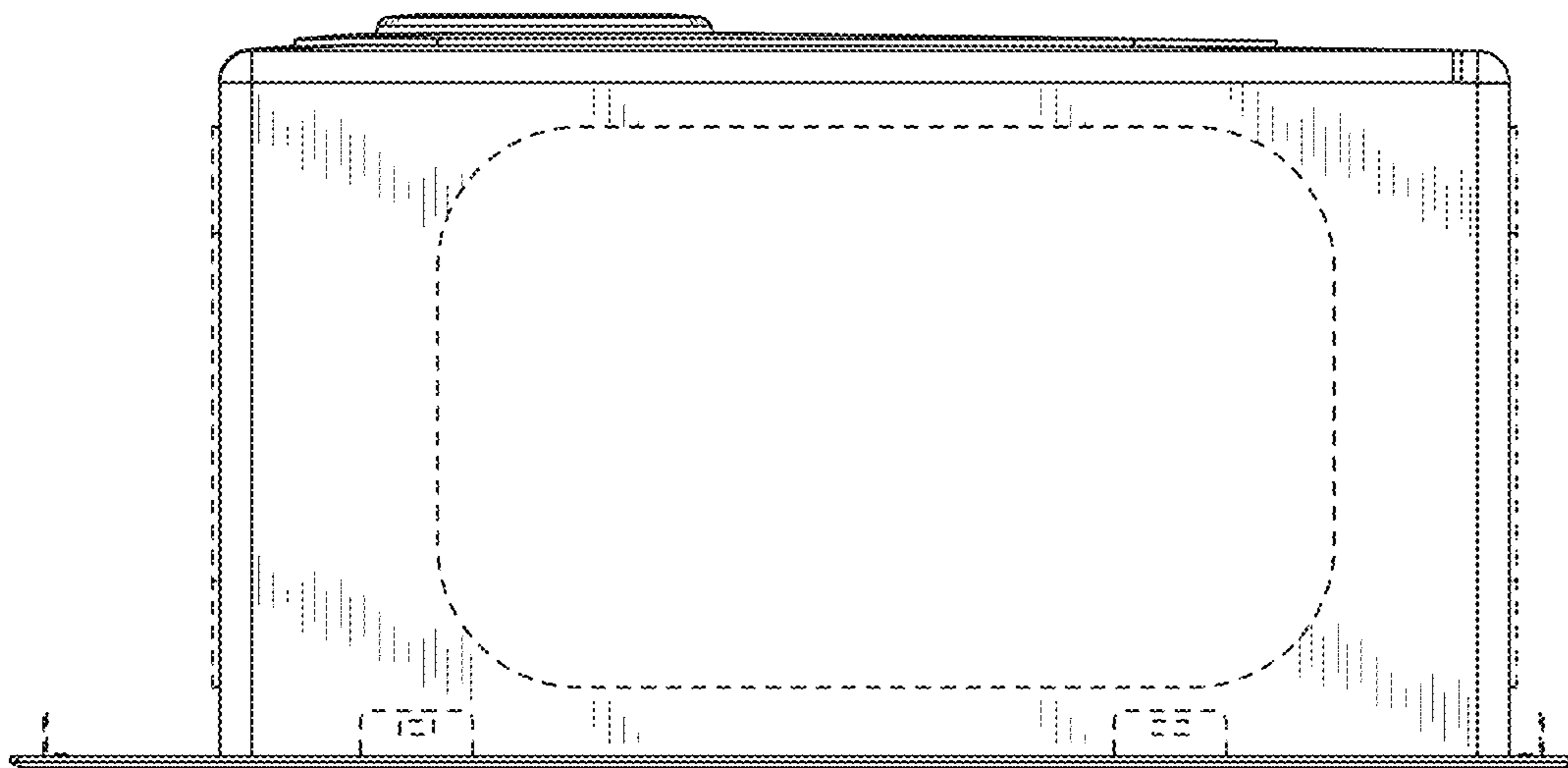


FIG. 6

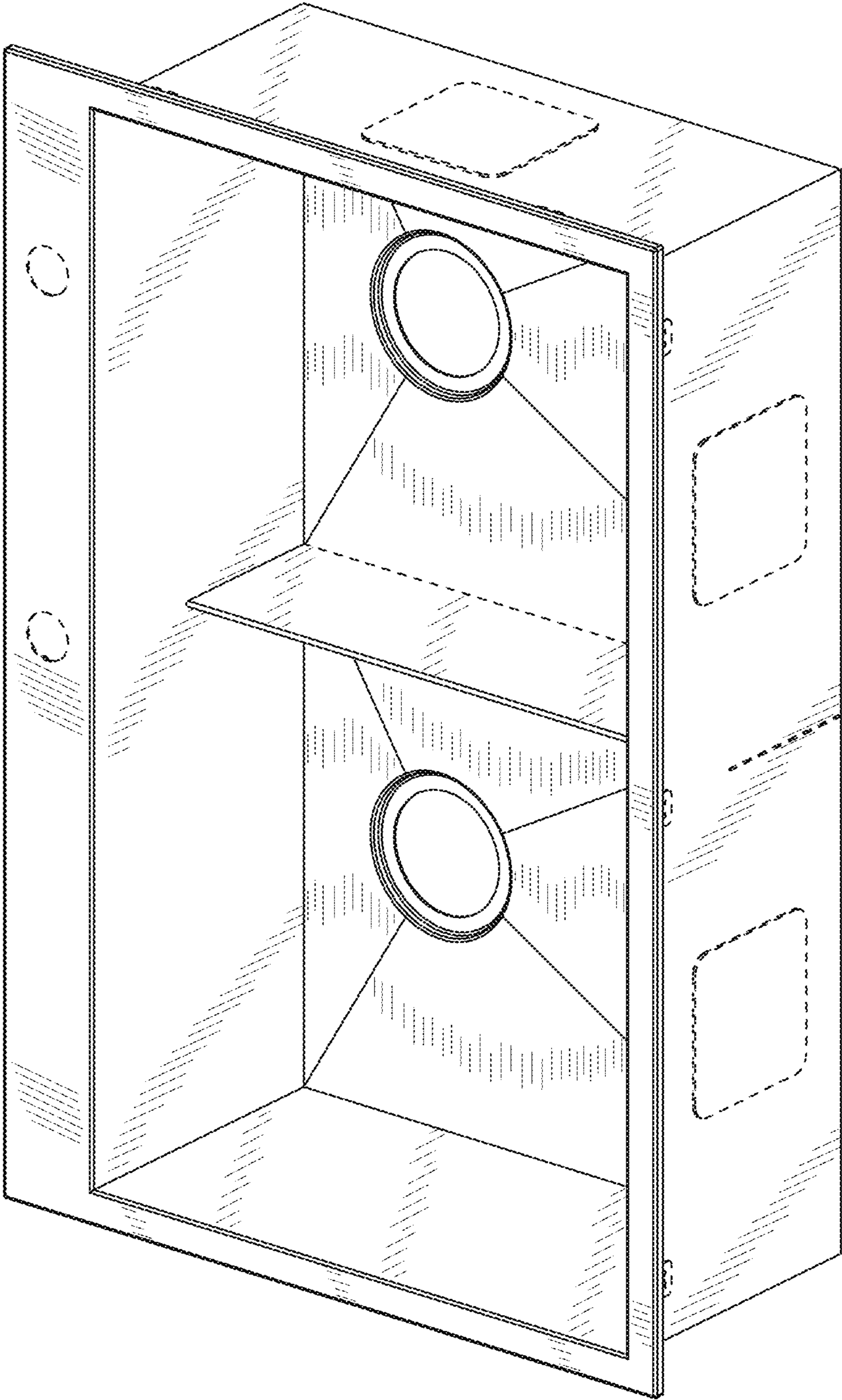


FIG. 7



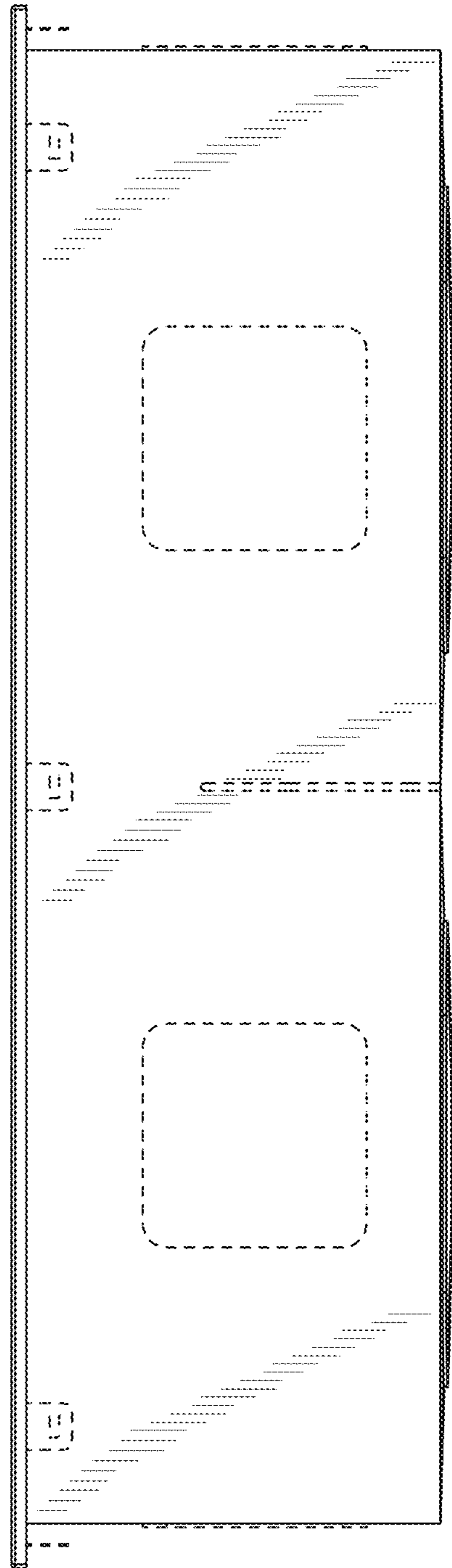


FIG. 8

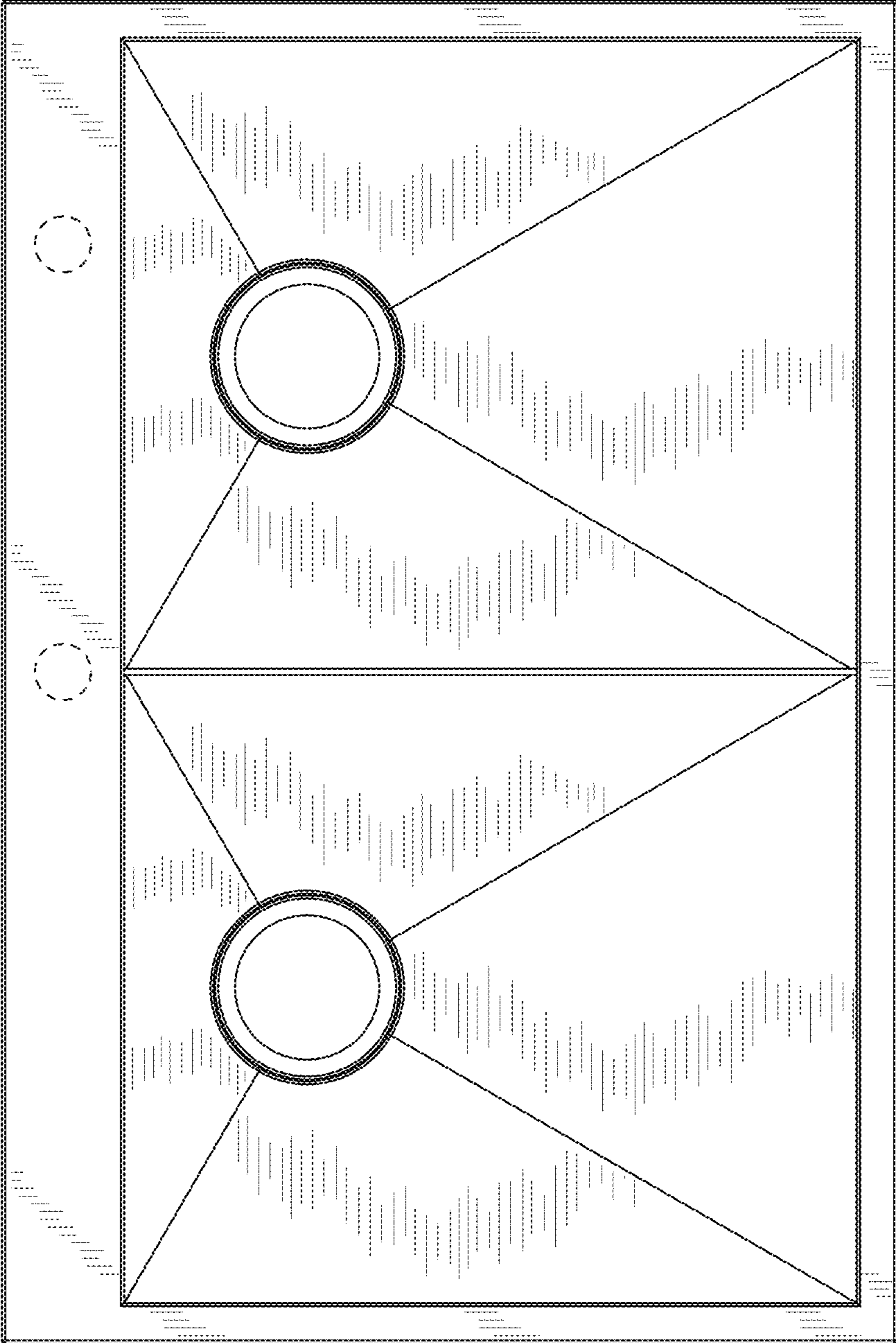


FIG. 9

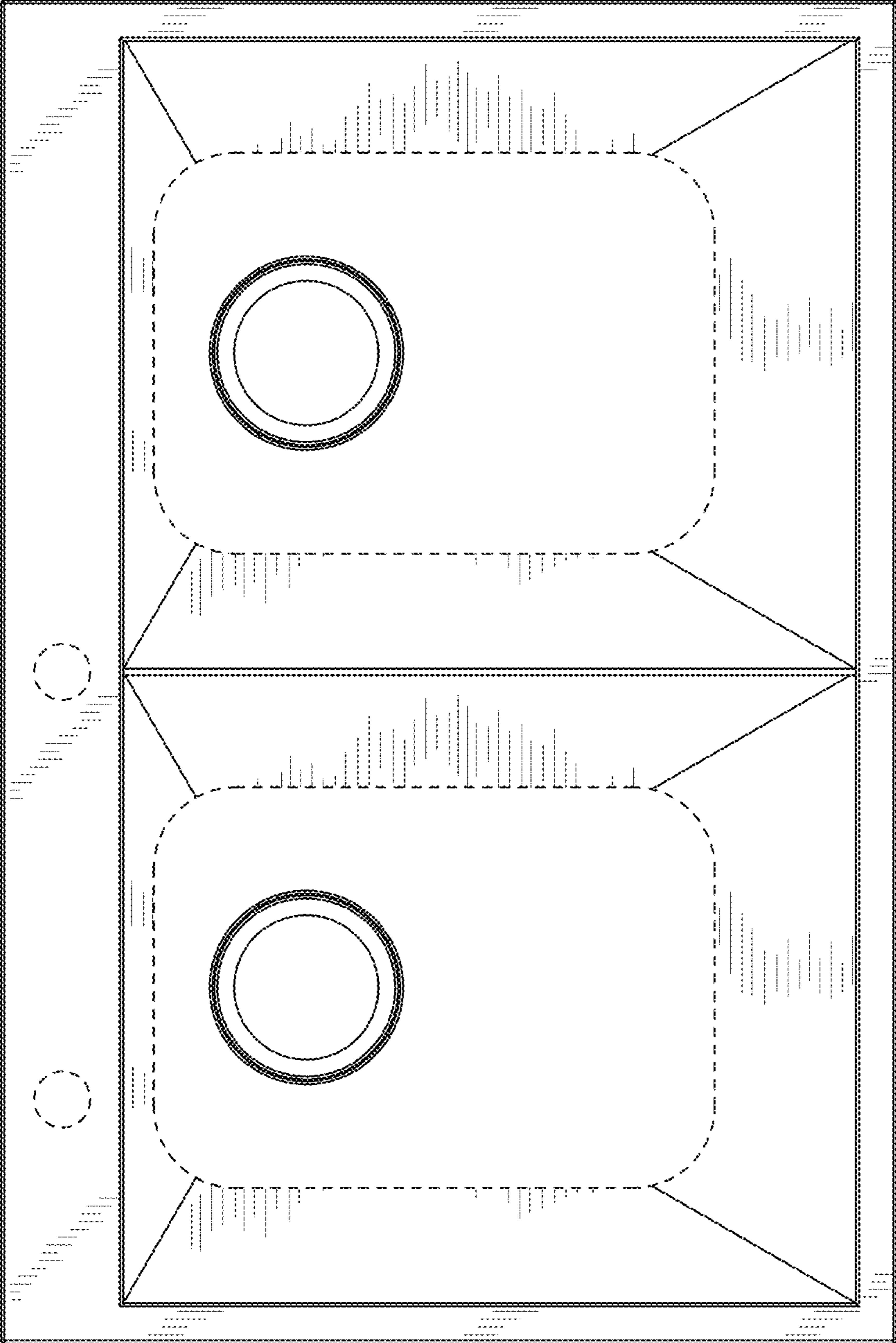


FIG. 10

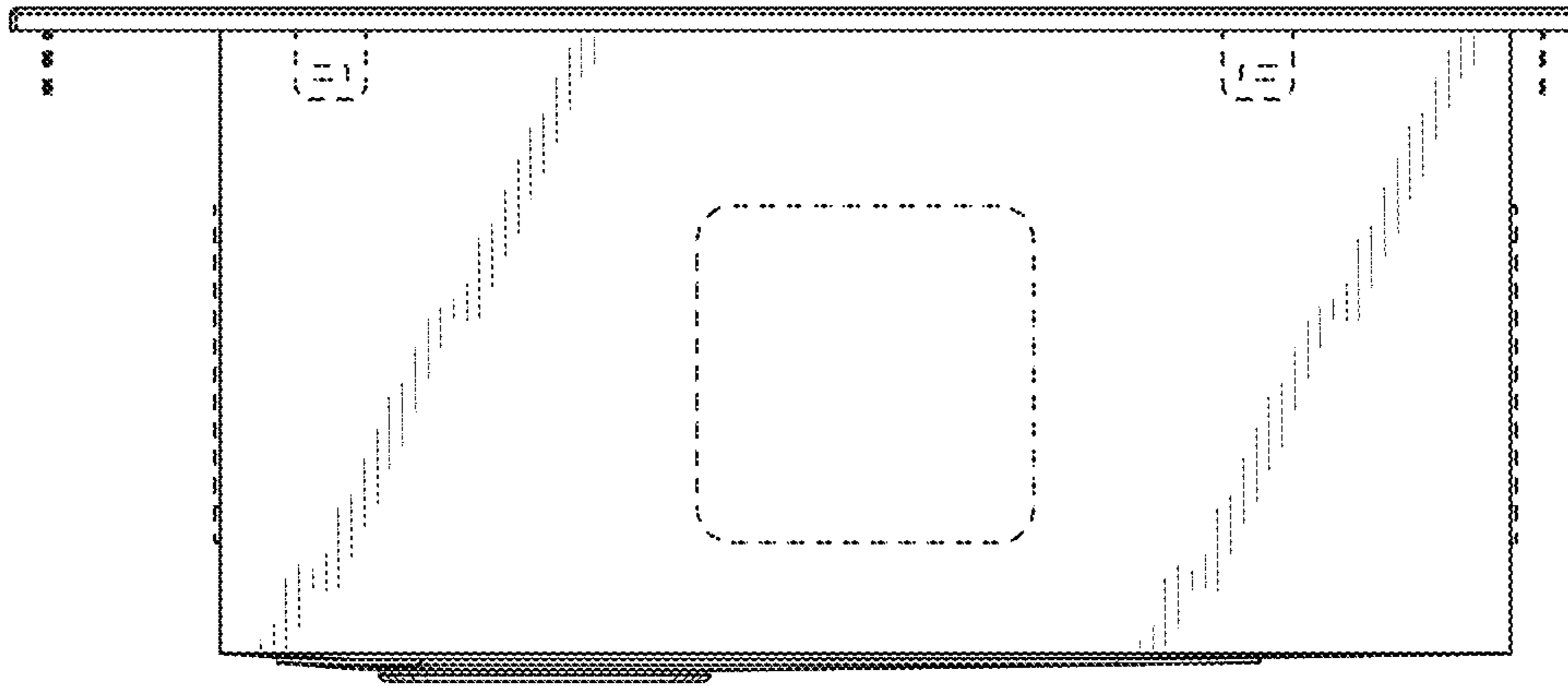


FIG. 12

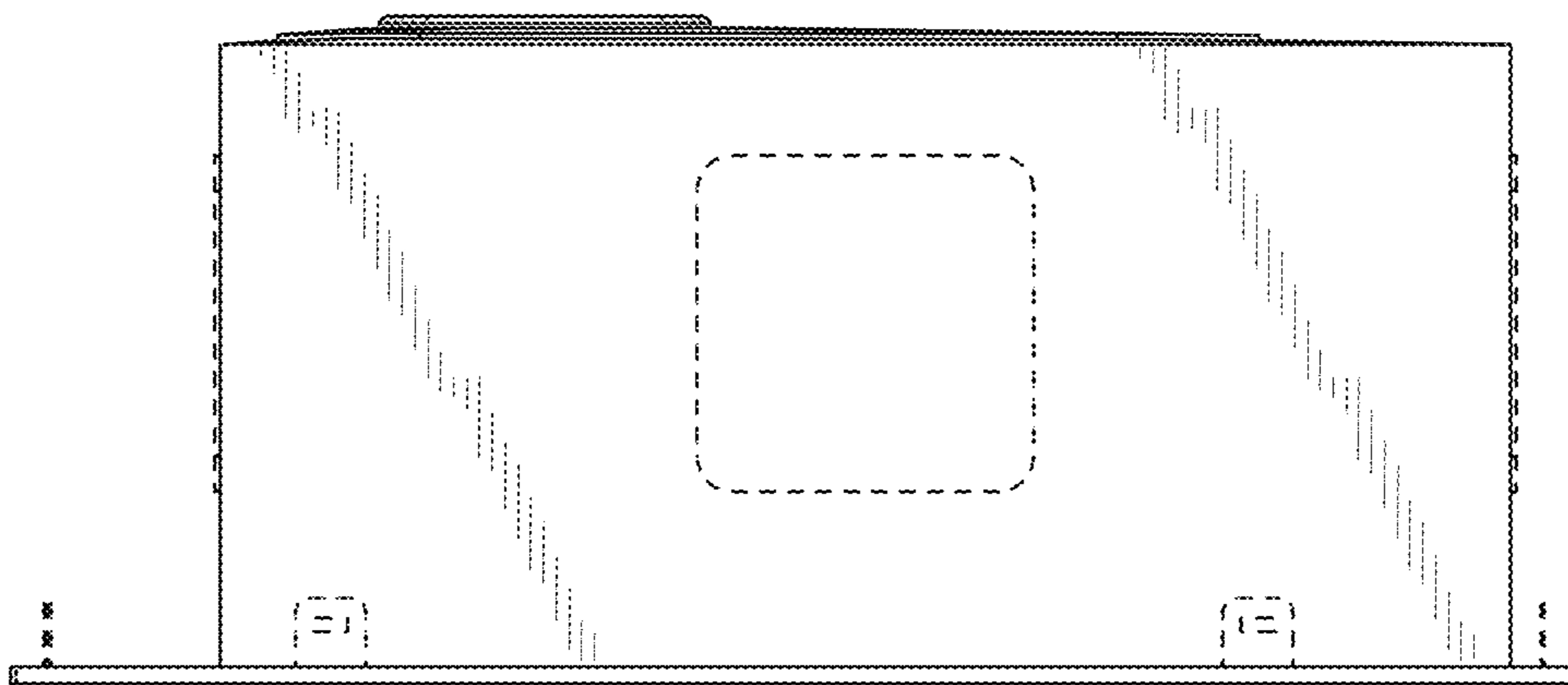


FIG. 11