

US00D946129S

(12) **United States Design Patent**
Luo

(10) **Patent No.:** **US D946,129 S**

(45) **Date of Patent:** **** Mar. 15, 2022**

(54) **FAUCET ADAPTER**

(71) Applicant: **Xiaojing Luo**, Laohekou (CN)

(72) Inventor: **Xiaojing Luo**, Laohekou (CN)

(**) Term: **15 Years**

(21) Appl. No.: **29/780,399**

(22) Filed: **Apr. 23, 2021**

(51) **LOC (13) Cl.** **23-01**

(52) **U.S. Cl.**
USPC **D23/263**; D23/249

(58) **Field of Classification Search**
USPC D23/263, 229, 232–235, 238, 240–241,
D23/249, 257, 259, 262, 266, 265, 268,
D23/303, 322, 386–387, 304, 386–387,
D23/223; D24/129; D8/382; 251/331;
285/8, 127.2, 131.1, 132.1, 179, 328;
4/672, DIG. 7; 137/59, 68.23, 861
CPC F16K 27/067; F16L 37/48
See application file for complete search history.

(56) **References Cited**

U.S. PATENT DOCUMENTS

144,565 A * 11/1873 Roos F16K 11/22
137/883
2,505,303 A * 4/1950 Randa F16L 41/023
285/148.13
2,975,983 A * 3/1961 Niebling F16K 17/162
239/126
D251,011 S * 2/1979 Krechel D23/245
D273,319 S * 4/1984 Mattingly D23/263
D273,320 S * 4/1984 Mattingly D23/263
4,852,563 A * 8/1989 Gross A61M 16/08
128/202.27
D357,731 S * 4/1995 Chih D23/263
5,509,148 A * 4/1996 Steele E03C 1/122
137/240
6,047,729 A * 4/2000 Hollister F17C 13/025
137/557

D435,637 S * 12/2000 Wales D23/263
6,442,876 B1 * 9/2002 Morse E01H 5/10
37/196
7,198,057 B2 * 4/2007 Zhurin E03B 7/12
137/240
D705,402 S 5/2014 Yu
D746,958 S 1/2016 Gledhill et al.
D832,409 S 10/2018 Sugatani et al.
2004/0060594 A1 * 4/2004 Montpetit F16K 23/00
137/59

(Continued)

OTHER PUBLICATIONS

HQMPC Brass Hose Splitter Garden Hose Y Valve Connectors 2 Way Shut Off Valve; Amazon Earliest Review Date Jul. 10, 2020; Visited Online Jan. 10, 2021; https://www.amazon.com/Splitter-Connectors-Adapter-Pressure-washers/dp/B086VCY4KJ/ref=cm_cr_ar_p_d_product_top?ie=UTF8&th=1 (Year: 2020).*

(Continued)

Primary Examiner — Amy C Wierenga
(74) *Attorney, Agent, or Firm* — Jinggao Li

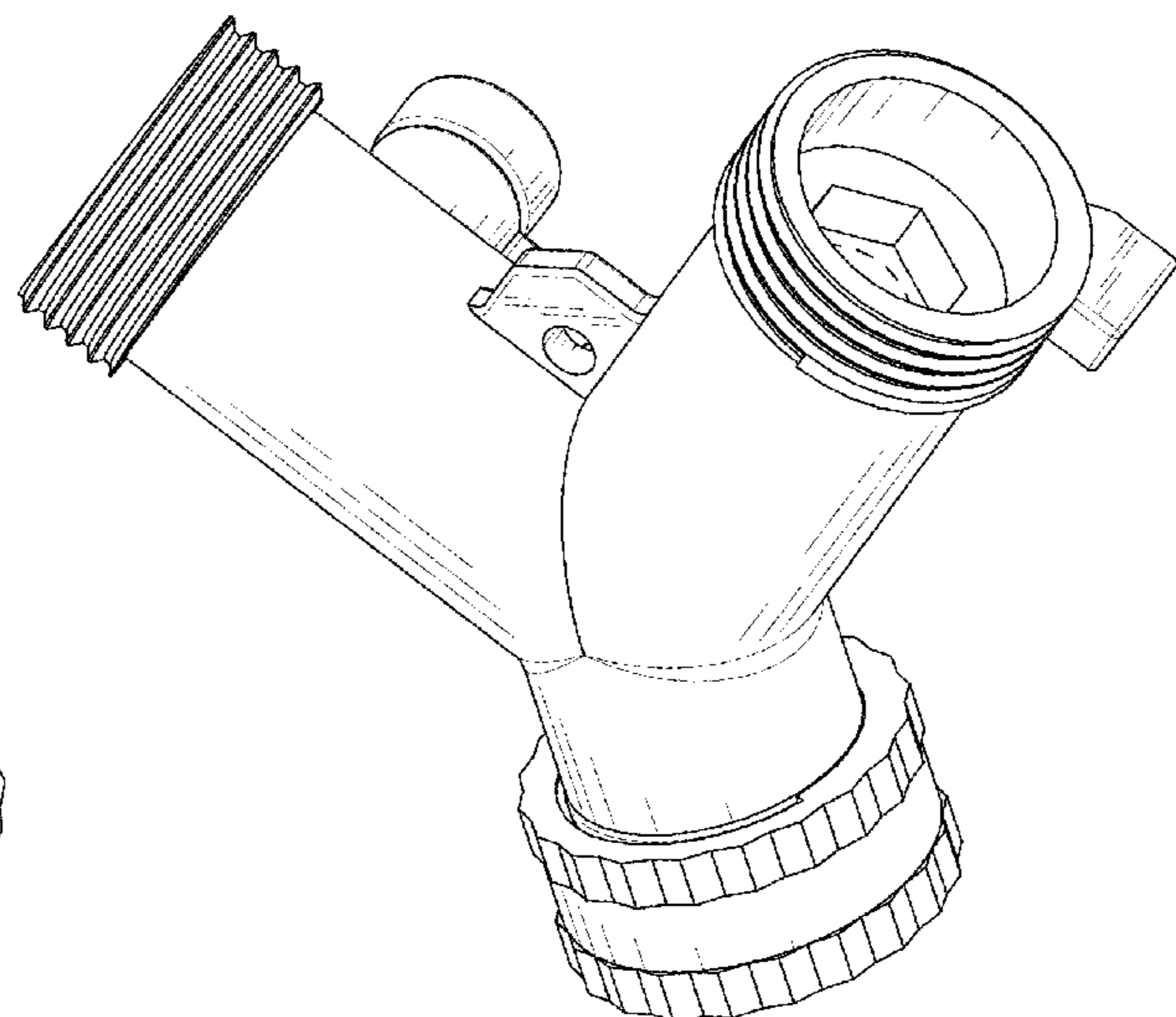
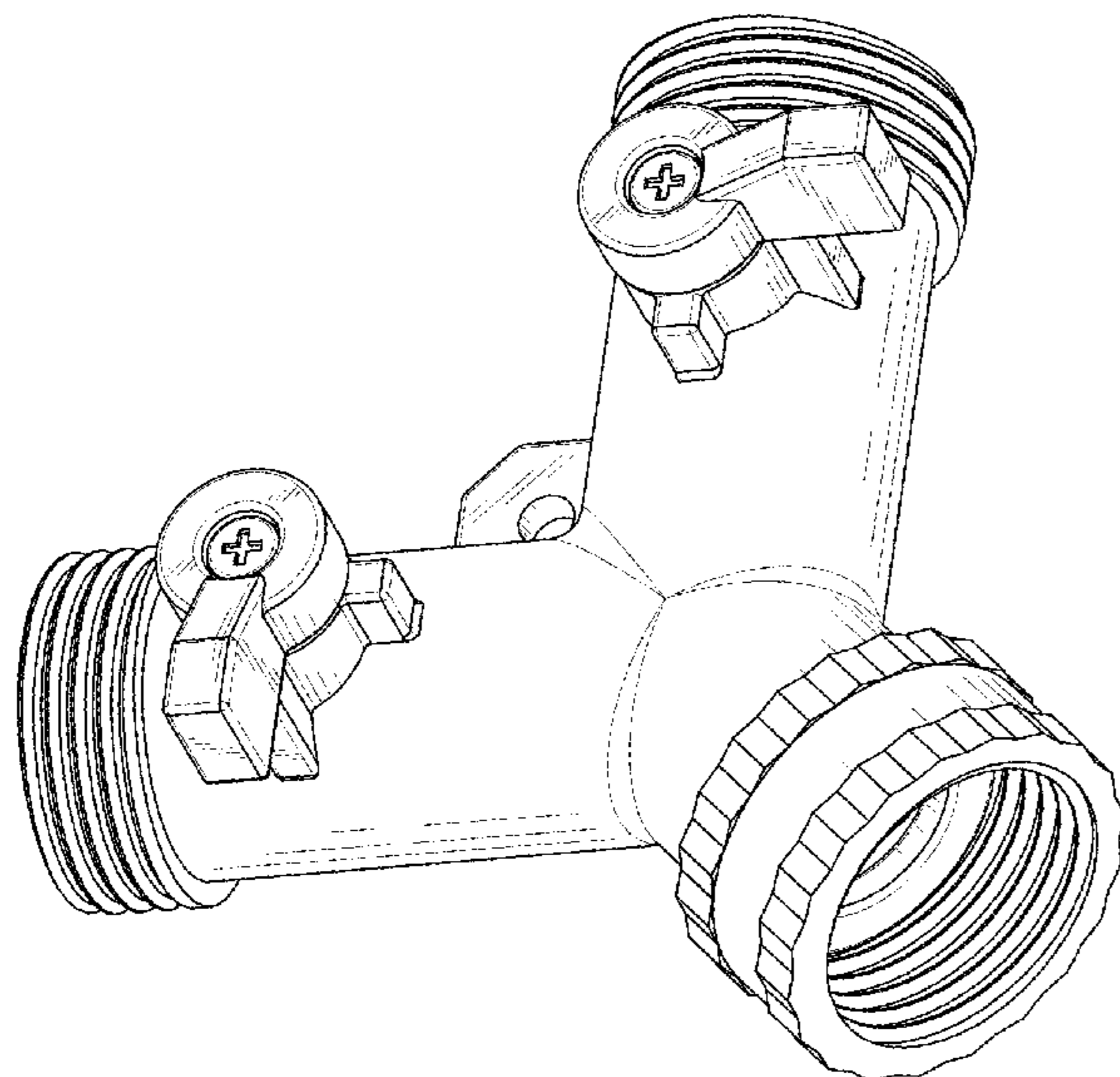
(57) **CLAIM**

The ornamental design for a faucet adapter, as shown and described.

DESCRIPTION

FIG. 1 is a front bottom perspective view of a faucet adapter showing my new design;
FIG. 2 is a rear top perspective view thereof;
FIG. 3 is a front view thereof;
FIG. 4 is a rear view thereof;
FIG. 5 is a left side view thereof;
FIG. 6 is a right side view thereof;
FIG. 7 is a top plan view thereof; and,
FIG. 8 is a bottom plan view thereof.
The broken lines depict portions of the faucet adapter and form no part of the claimed design.

1 Claim, 8 Drawing Sheets



(56)

References Cited

U.S. PATENT DOCUMENTS

2005/0241706 A1* 11/2005 Heren F16K 27/067
137/883
2006/0017037 A1* 1/2006 Heren A01G 25/16
251/331
2009/0194993 A1* 8/2009 Tong F16L 41/023
285/131.1

OTHER PUBLICATIONS

Xiny Tool Brass Garden Hose Splitter 92 Way) Solid Brass Hose Y
Splitter 2 Valves; Amazon First Available Date Jun. 22, 2020;
Visited Online Jan. 10, 2021; https://www.amazon.com/Xiny-Tool-Garden-Splitter-Washers/dp/B08BLCVYK7/ref=pd_lpo_2?pd_rd_i=B08BLCVYK7&th=1 (Year: 2020).*

* cited by examiner

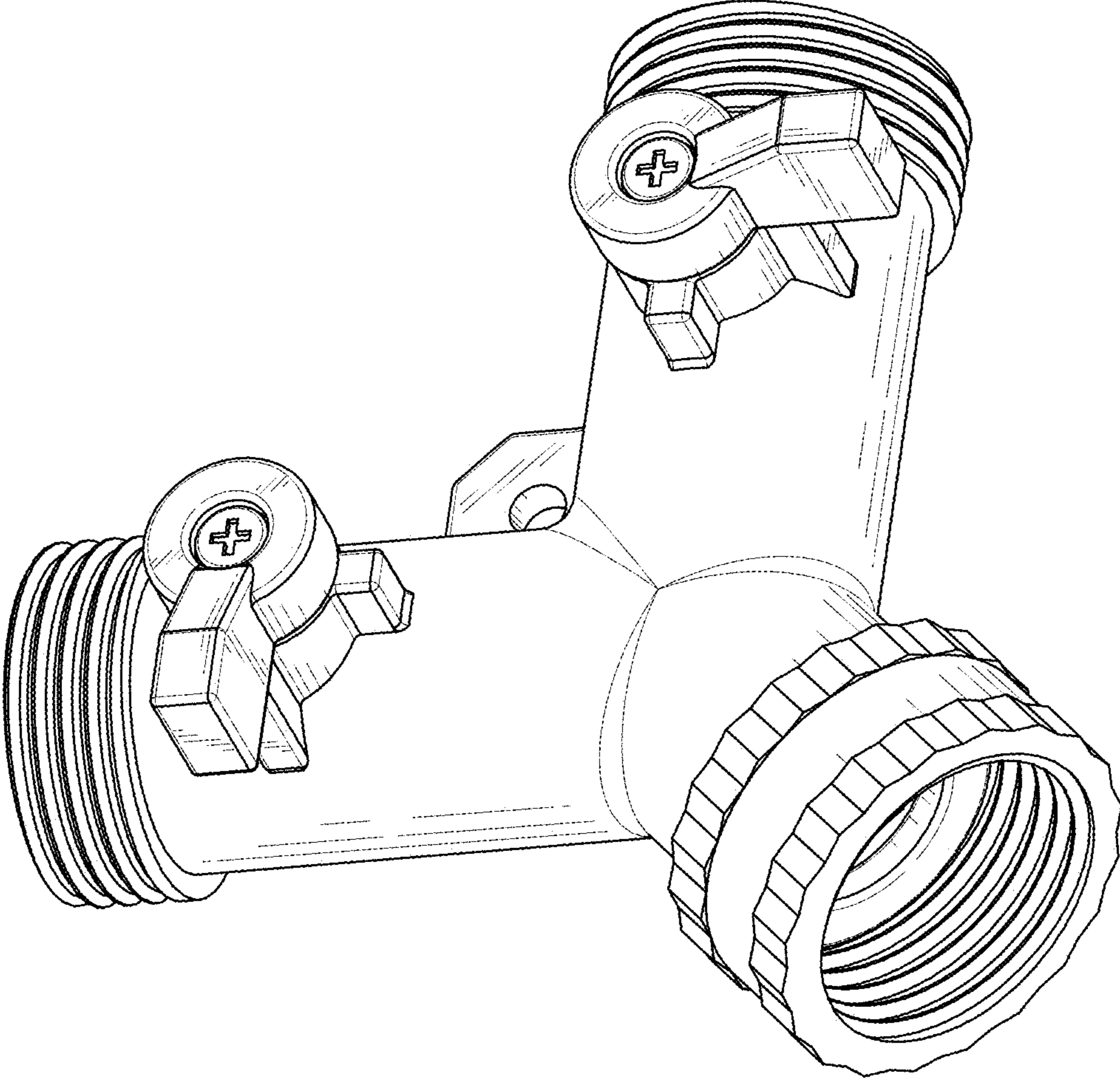


FIG. 1

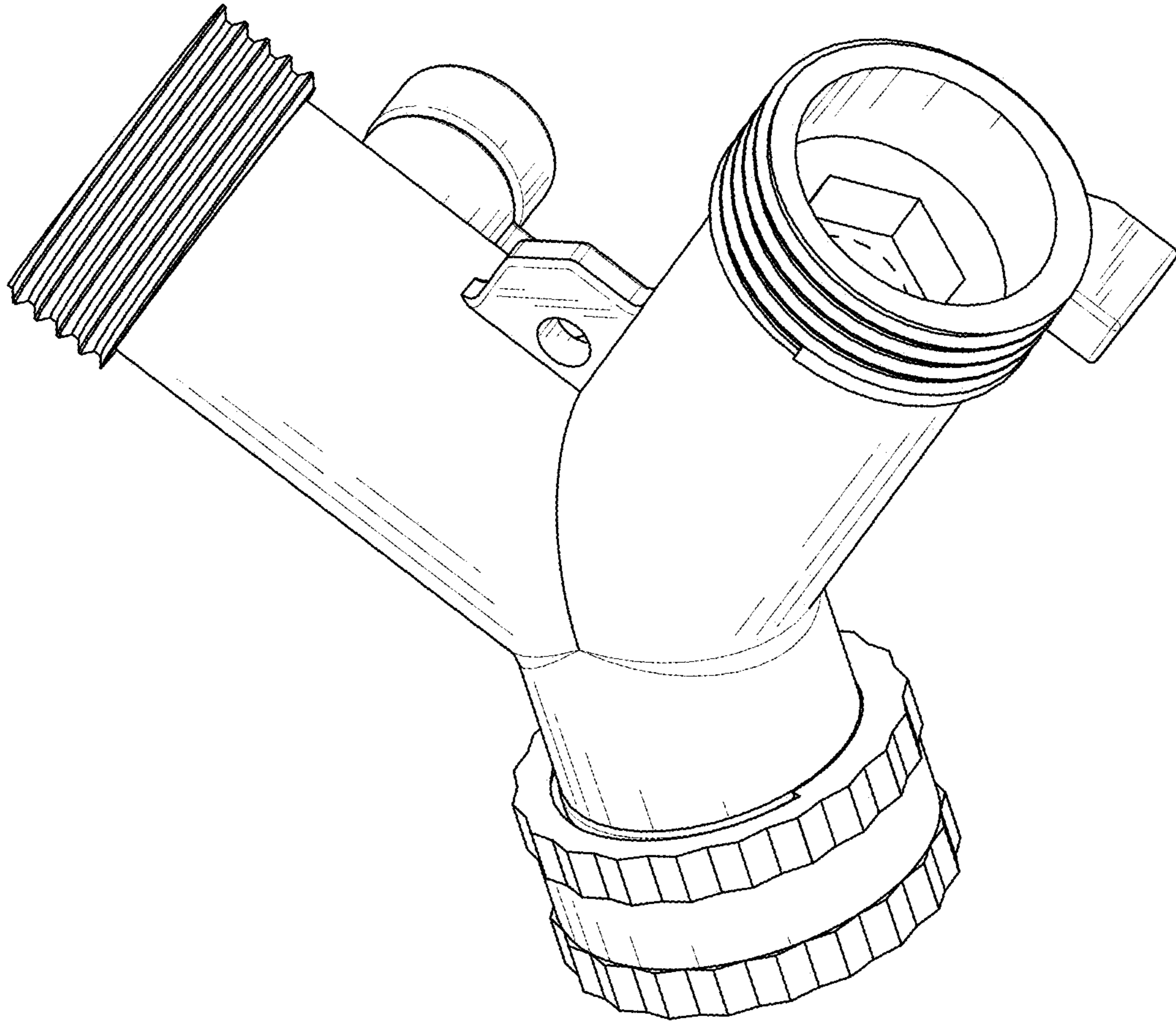


FIG. 2

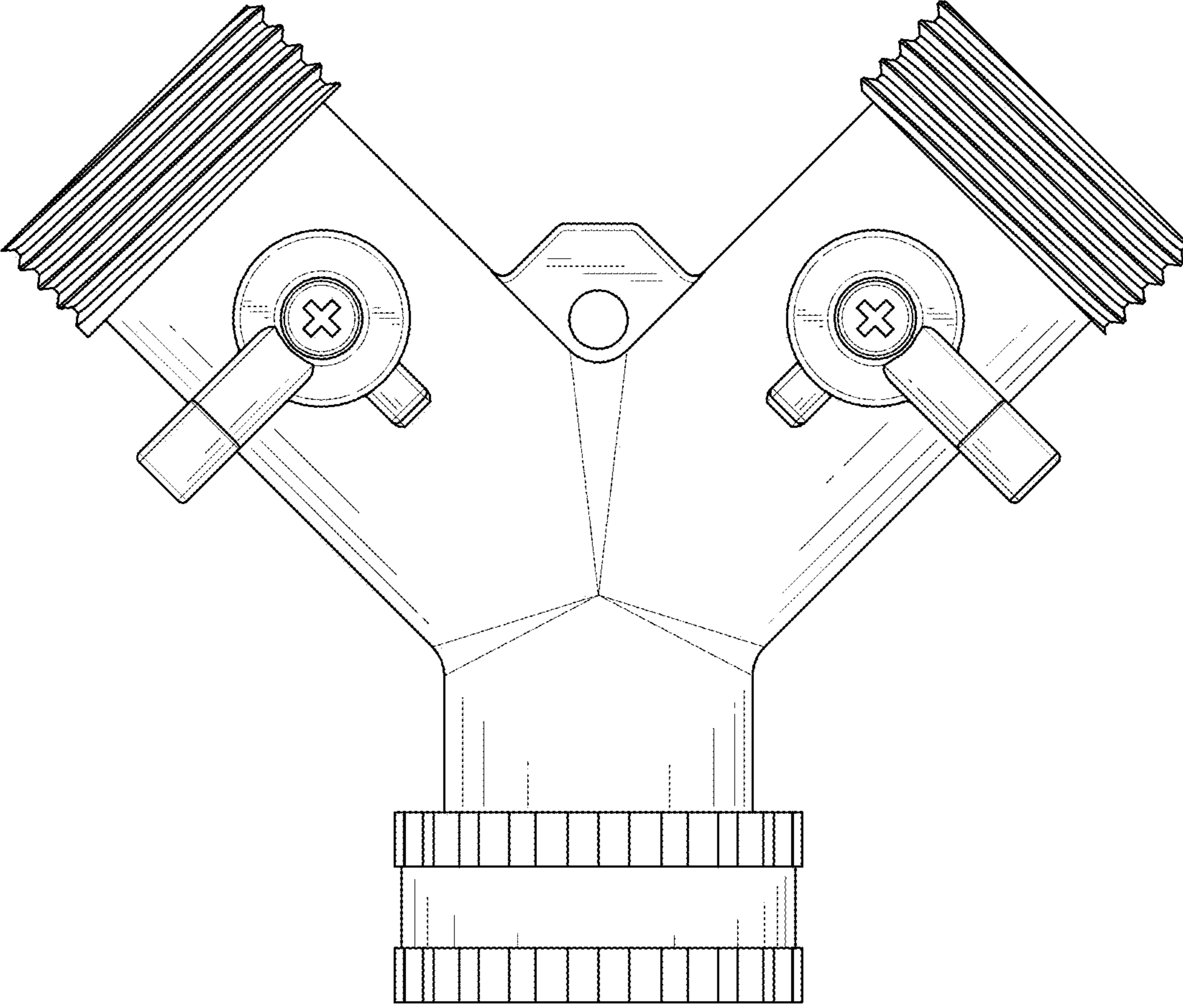


FIG. 3

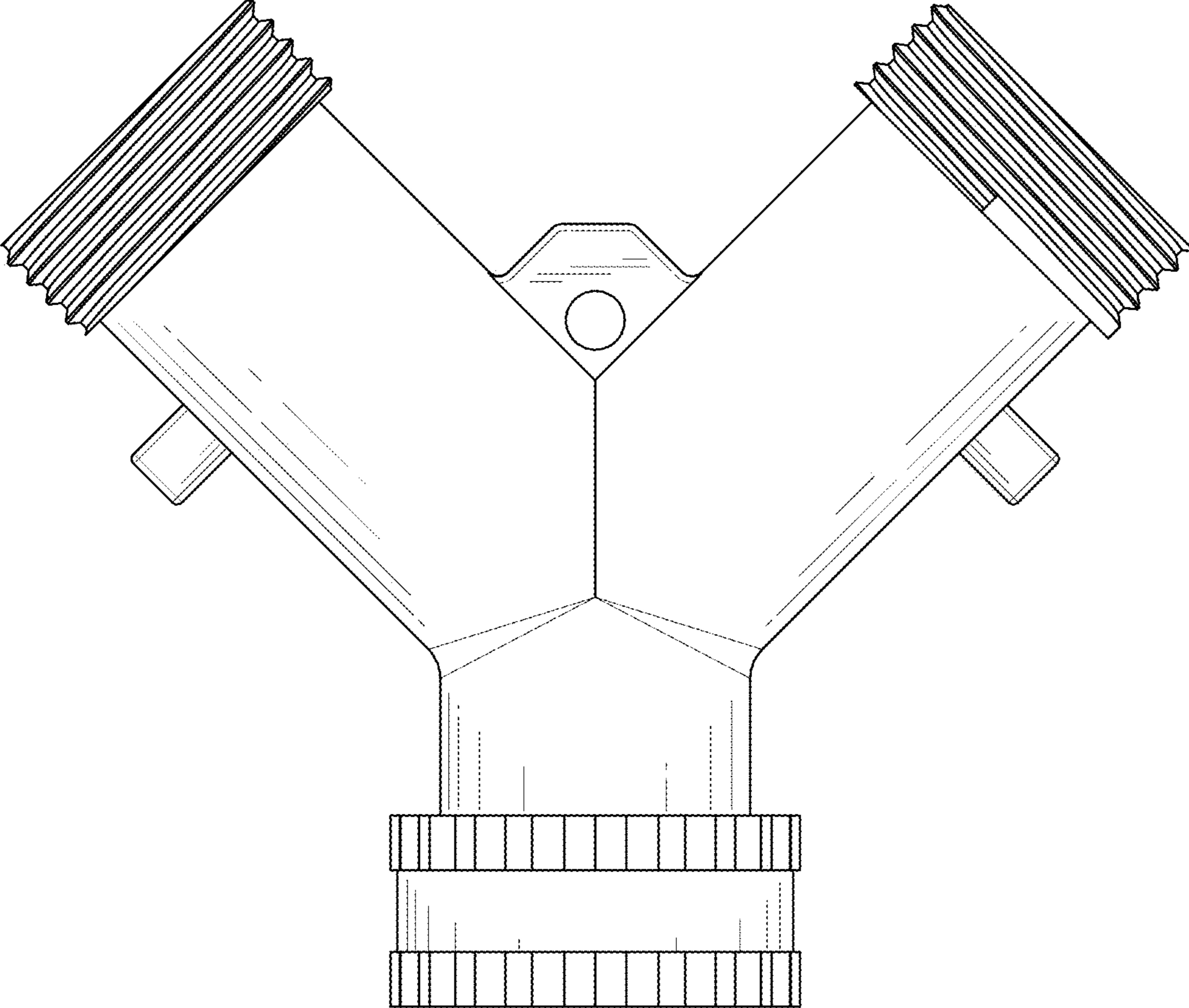


FIG. 4

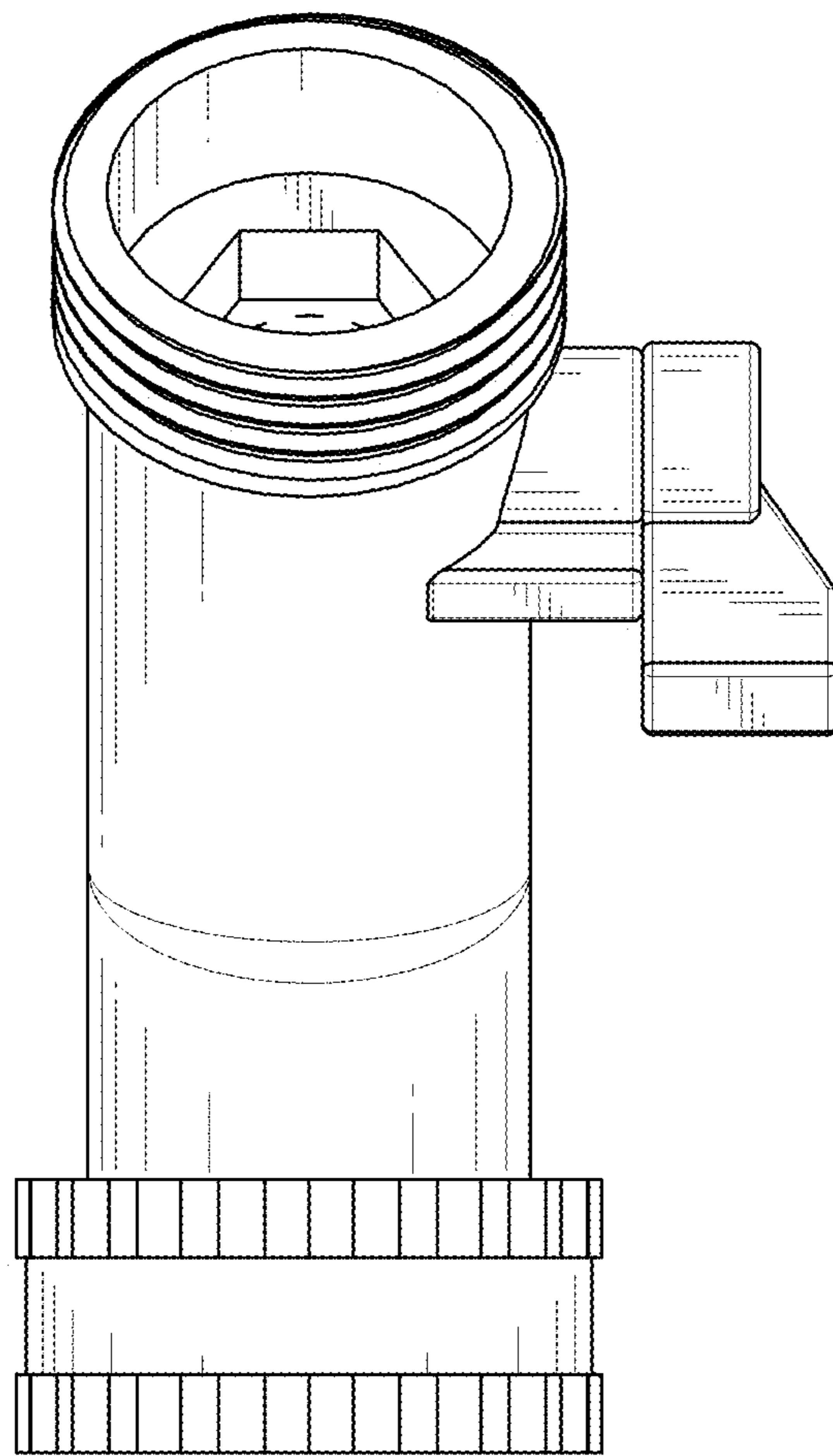


FIG. 5

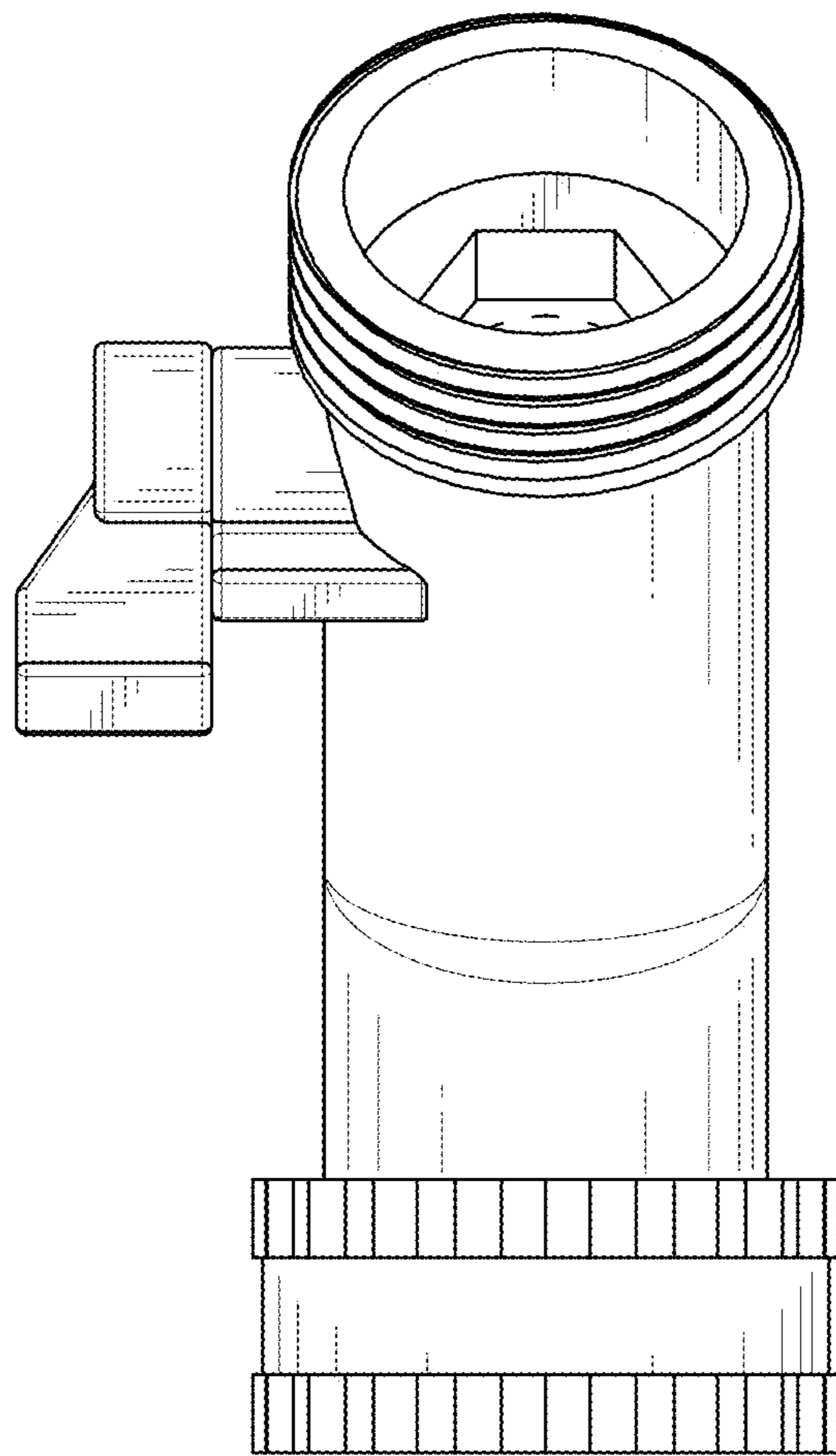


FIG. 6

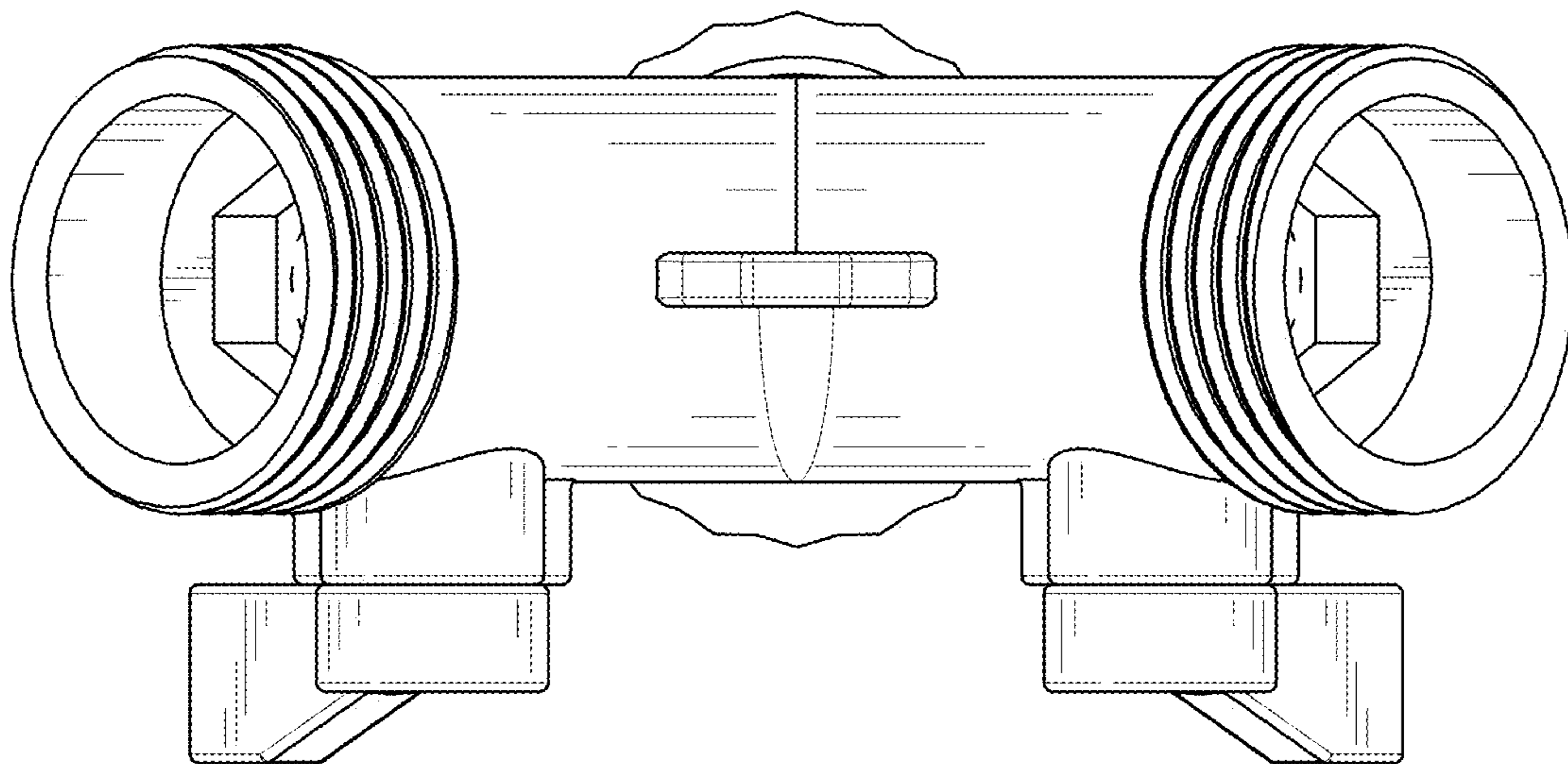


FIG. 7

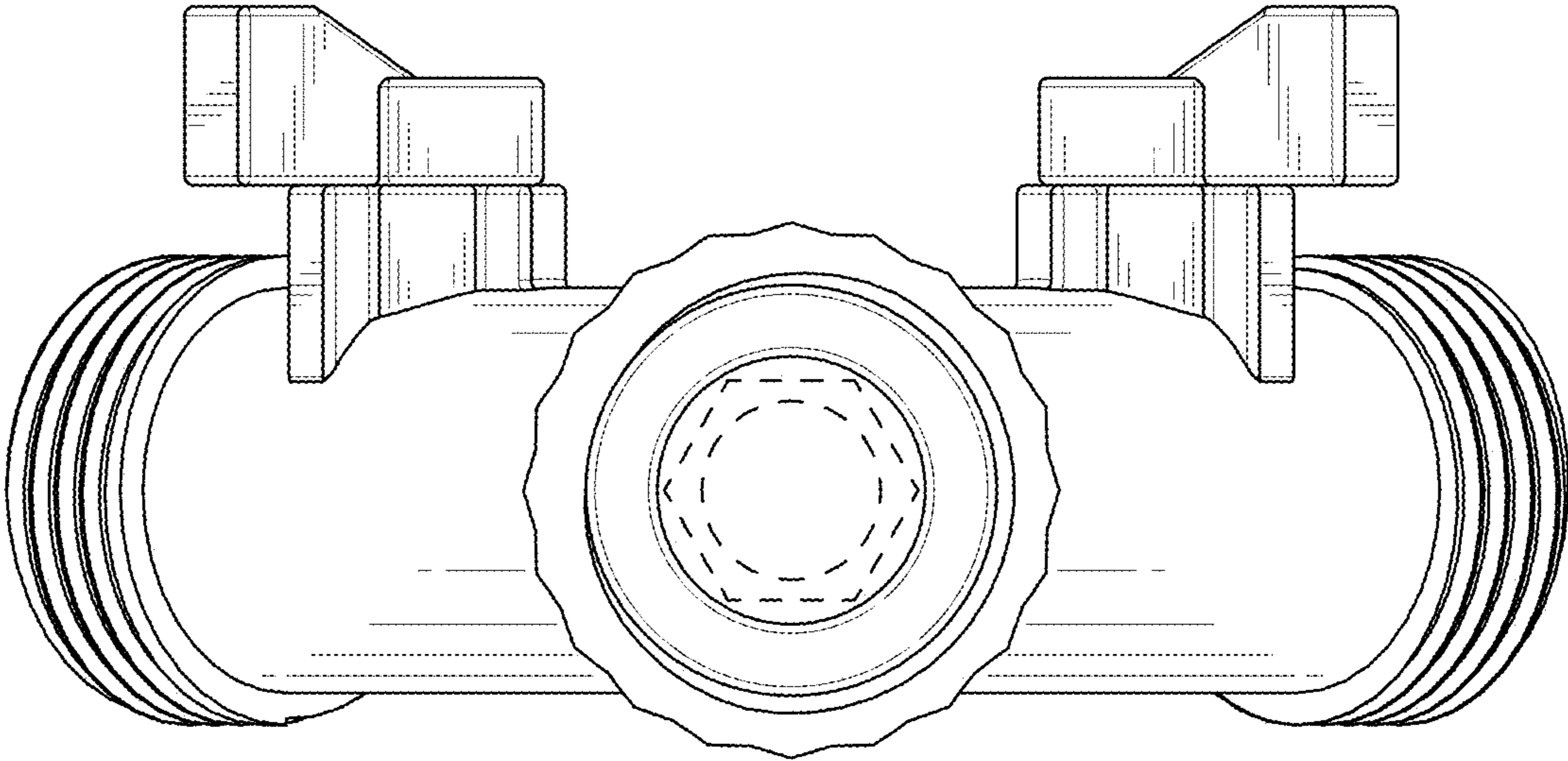


FIG. 8