



US00D946128S

(12) **United States Design Patent** (10) **Patent No.:** **US D946,128 S**
Forrestal et al. (45) **Date of Patent:** **** *Mar. 15, 2022**

(54) **DISINFECTION DEVICE FOR A VALVE**

(56) **References Cited**

(71) Applicant: **Reliance Worldwide Corporation (Aust) Pty. Ltd.**, Melbourne (AU)

U.S. PATENT DOCUMENTS

(72) Inventors: **David P. Forrestal**, Melbourne (AU); **Jake Hardt**, Melbourne (AU); **Gary Hay**, Melbourne (AU)

D247,182 S *	2/1978	Ebert	D23/262
6,106,029 A *	8/2000	DeMore	F16L 21/08
			285/104
D455,814 S *	4/2002	Magnusson	D23/209
6,534,793 B1 *	3/2003	Heritier-Best	F16K 31/04
			251/129.11
6,733,045 B2 *	5/2004	Harrington	F16L 37/252
			285/143.1
8,123,259 B2 *	2/2012	Swart	F16L 23/0286
			285/330
D658,978 S *	5/2012	Linares	D8/399
8,186,723 B2 *	5/2012	Kim	F16L 21/007
			285/342

(73) Assignee: **Reliance Worldwide Corporation (Aust) Pty. Ltd.**, Melbourne (AU)

(*) Notice: This patent is subject to a terminal disclaimer.

(**) Term: **15 Years**

(Continued)

(21) Appl. No.: **29/661,516**

Primary Examiner — Amy C Wierenga

(22) Filed: **Aug. 28, 2018**

(74) Attorney, Agent, or Firm — Stetina Brunda Garred & Brucker

(30) **Foreign Application Priority Data**

(57) **CLAIM**

The ornamental design for disinfection device for a valve, as shown and described.

Mar. 2, 2018 (AU) 201811261

DESCRIPTION

(51) **LOC (13) Cl.** **23-01**

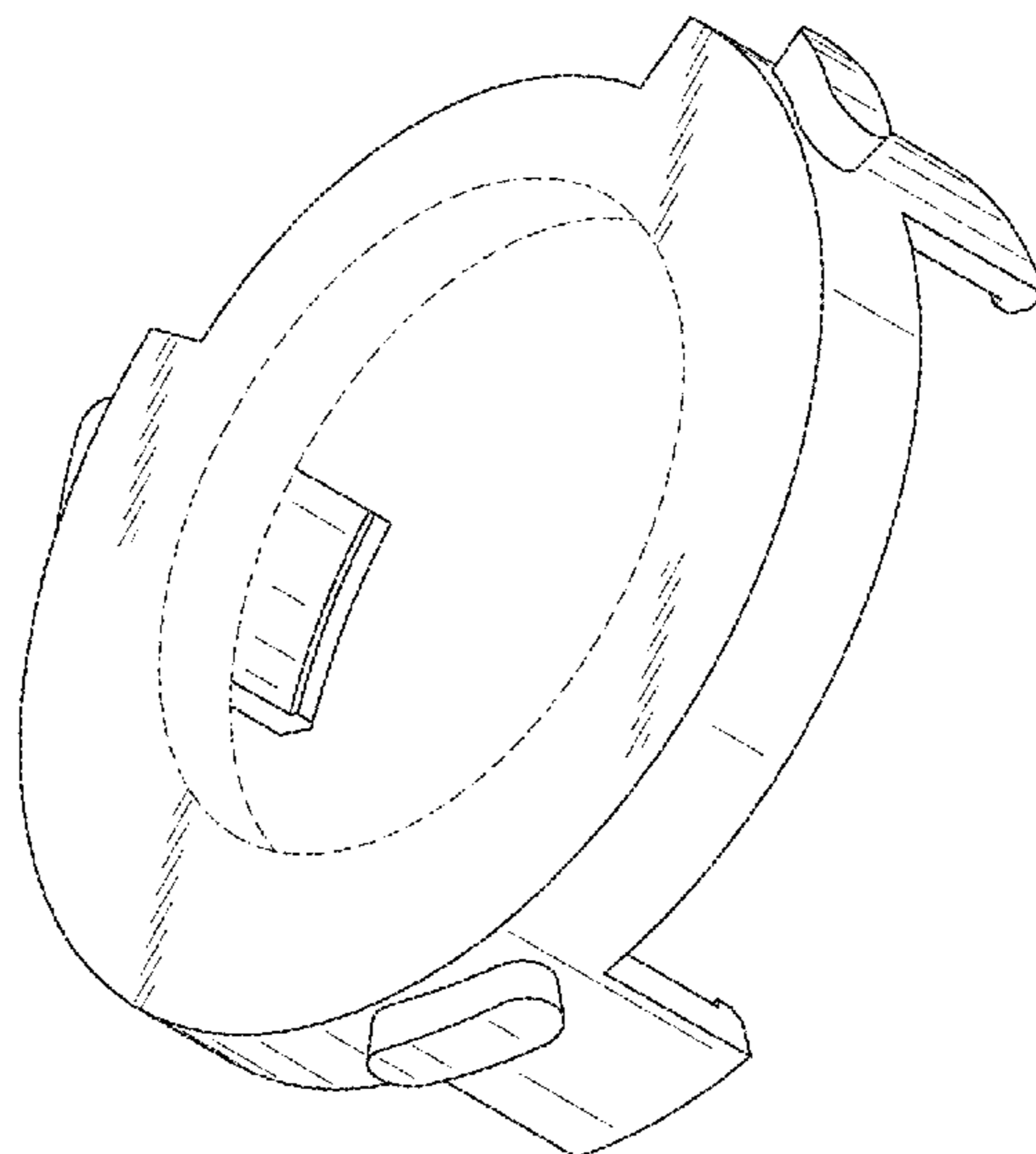
(52) **U.S. Cl.**
USPC **D23/262**; D23/259

(58) **Field of Classification Search**
USPC D23/207–209, 233–237, 249, D23/259.262–266, 268–269; 285/15–16, 285/31, 33, 45, 53, 86, 104, 148.2, 285/148.19–148.22, 133.21, 245, 257, 285/291.1, 291.2, 335, 423, 355, 390, 285/417, 34, 305, 321, 323; 251/146–152, 215–216, 143, 155, 162, 251/357; 138/99; D24/129; 137/625.4; 236/12.1; D8/397, 399; D13/133, 154; D32/31–33

CPC F16K 11/07; F16K 31/002; F16L 11/00; F16L 25/01; F16L 17/10; F16L 59/14

See application file for complete search history.

1 Claim, 4 Drawing Sheets



(56)

References Cited

U.S. PATENT DOCUMENTS

D704,312 S * 5/2014 Kuo D23/259
D734,436 S * 7/2015 Raether D23/259
D757,907 S * 5/2016 Foreman D23/249
D775,934 S * 1/2017 Hill D8/354
2015/0369412 A1* 12/2015 Berlusconi F16L 19/0231
285/321
2018/0358743 A1* 12/2018 Gruber H01R 13/6277
2020/0218295 A1* 7/2020 Hay G05D 23/1346

* cited by examiner

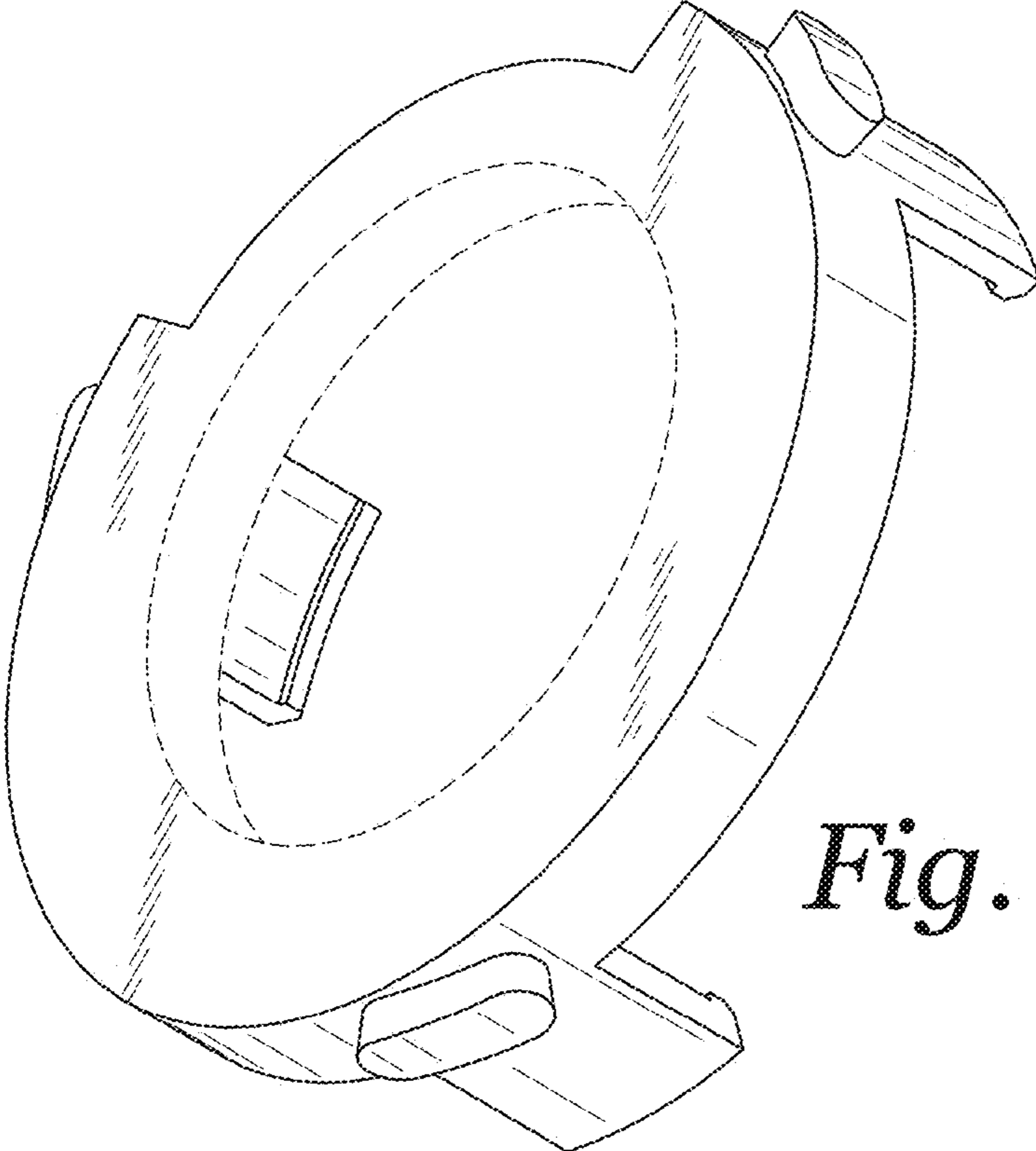


Fig. 1

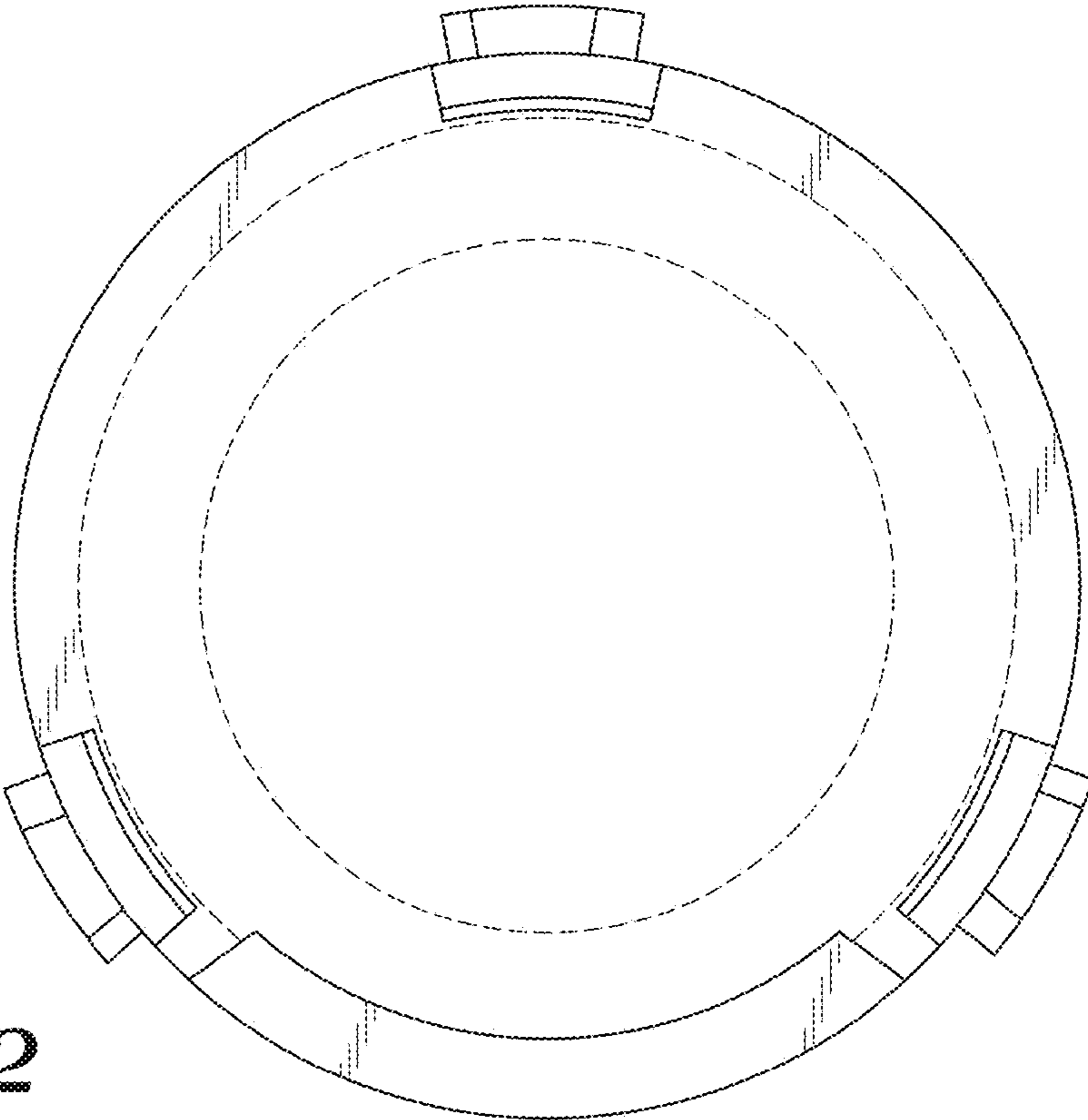


Fig. 2

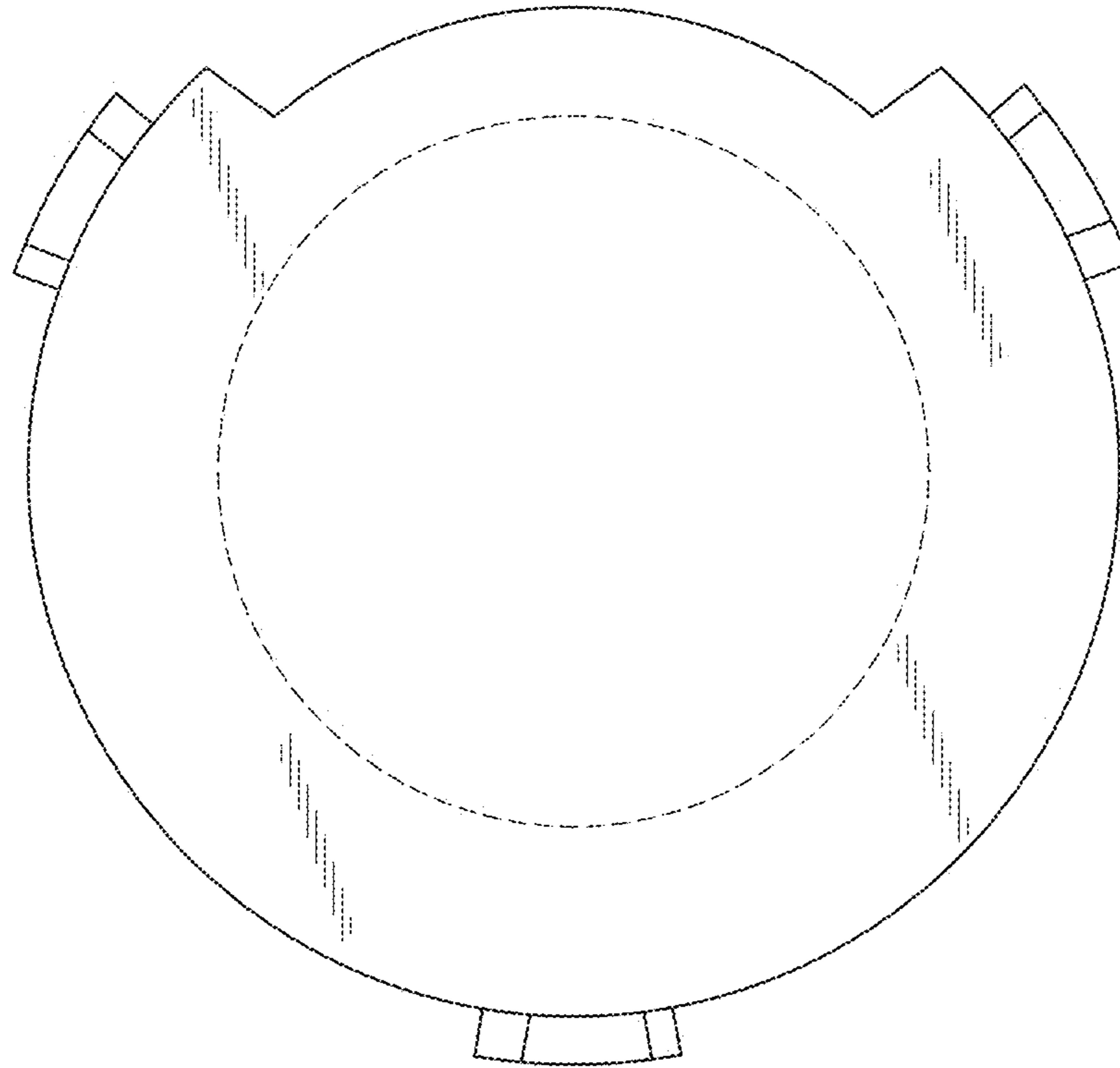


Fig. 3

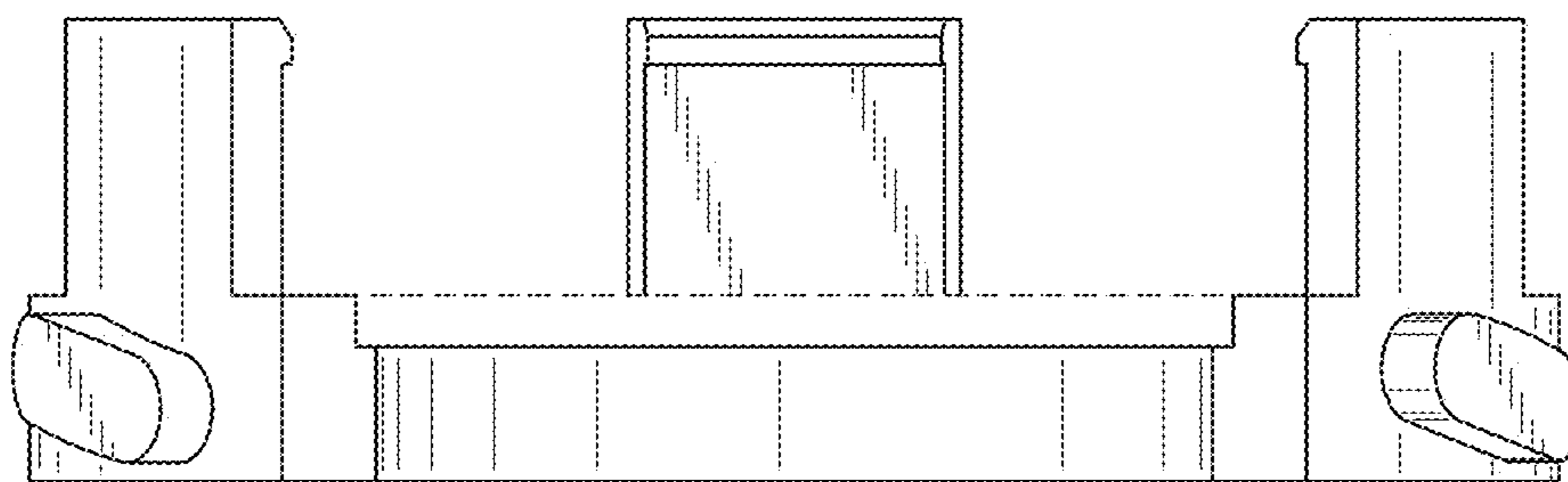


Fig. 4

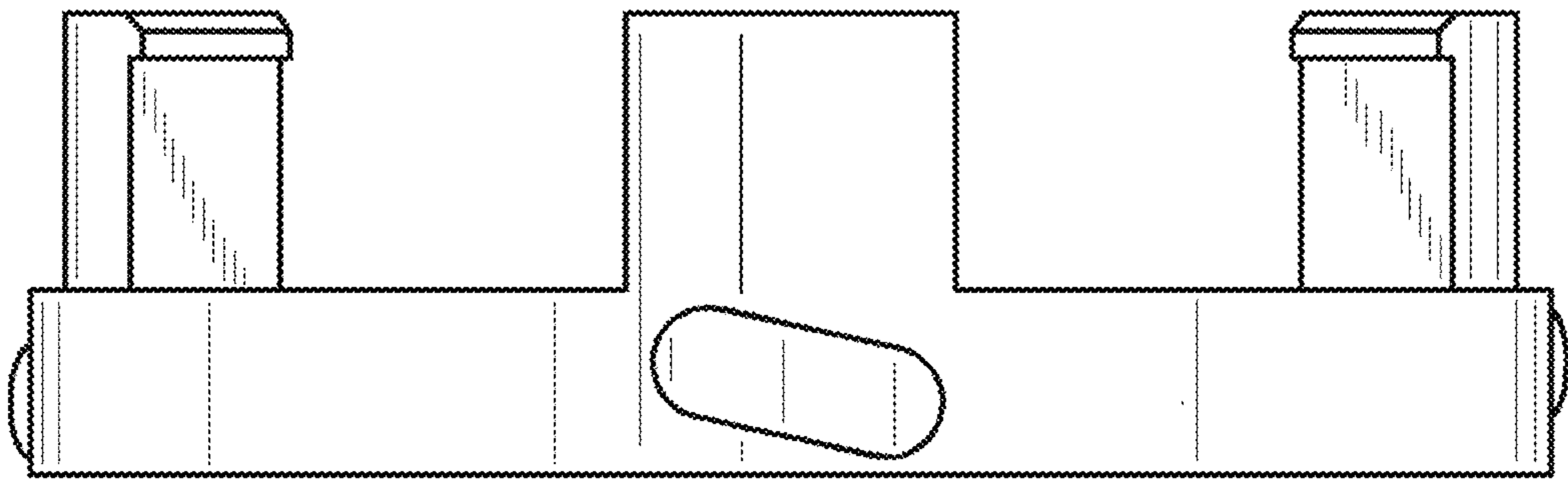


Fig. 5

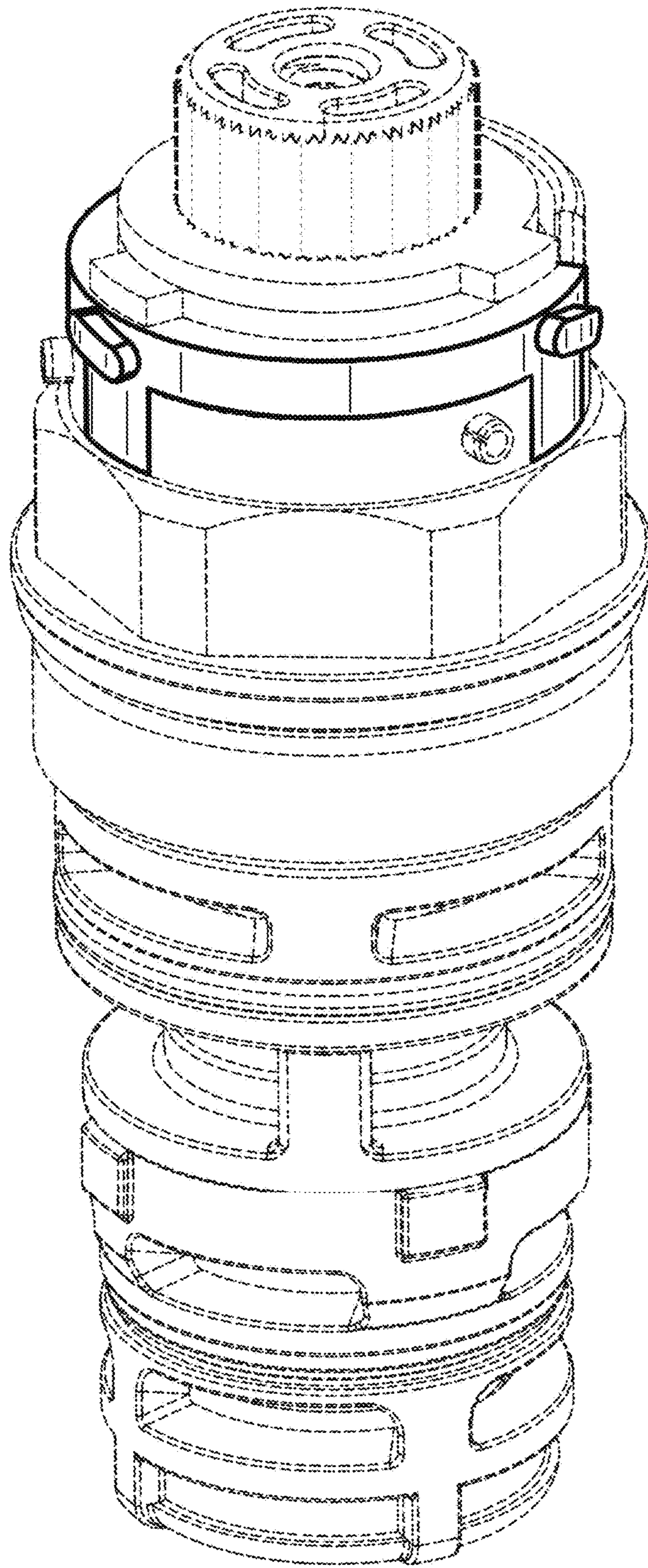


Fig. 6